

MicroC/OS-II™ *The Real-Time Kernel*

User's Manual

Jean J. Labrosse

Micrium
 **Press**

Weston, FL 33326

μC/OS-II User's Manual

- 1. μC/OS-II User Manual 2
 - 1.1 Preface 3
 - 1.2 Getting Started with μC/OS-II 8
 - 1.3 Real-Time Systems Concepts 45
 - 1.4 Kernel Structure 94
 - 1.5 Task Management 151
 - 1.6 Time Management 183
 - 1.7 Timer Management 193
 - 1.8 Event Control Blocks 205
 - 1.9 Semaphore Management 219
 - 1.10 Mutual Exclusion Semaphores 235
 - 1.11 Event Flag Management 256
 - 1.12 Message Mailbox Management 285
 - 1.13 Message Queue Management 305
 - 1.14 Memory Management 333
 - 1.15 Porting μC/OS-II 350
 - 1.16 80x86 Port with Emulated FP Support 413
 - 1.17 80x86 Port with Hardware FP Support 460
 - 1.18 Thread Safety of the Compiler's Run-Time Library 492
 - 1.19 μC/OS-II API Reference 500
 - 1.20 μC/OS-II Configuration Manual 670
 - 1.21 PC Services 697
 - 1.22 C Coding Conventions 724
 - 1.23 Licensing Policy for μC/OS-II 739
 - 1.24 μC/OS-II Quick Reference 740
 - 1.25 TO Utility 750
 - 1.26 Bibliography 752

μC/OS-II User Manual

This book describes the design and implementation of μC/OS-II (pronounced “Micro C O S 2”), which stands for Micro-Controller Operating System Version 2.

μC/OS-II is a completely portable, ROMable, scalable, preemptive, real-time, multitasking kernel. μC/OS-II is written in ANSI C and contains a small portion of assembly language code to adapt it to different processor architectures. To date, μC/OS-II has been ported to over 40 different processor architectures ranging from 8- to 64-bit CPUs.

μC/OS-II is based on μC/OS, The Real-Time Kernel that was first published in 1992. Thousands of people around the world are using μC/OS and μC/OS-II in all kinds of applications, such as cameras, avionics, high-end audio equipment, medical instruments, musical instruments, engine controls, network adapters, highway telephone call boxes, ATM machines, industrial robots, and more. Numerous colleges and universities have also used μC/OS and μC/OS-II to teach students about real-time systems.

μC/OS-II is upward compatible with μC/OS V1.11 (the last released version) but provides many improvements. If you currently have an application that runs with μC/OS, it should run virtually unchanged with μC/OS-II. All of the services (i.e., function calls) provided by μC/OS have been preserved. You may, however, have to change include files and product build files to “point” to the new filenames.

This book contains all the source code for μC/OS-II and ports for the Intel 80x86 processor running in real mode and for the large model. The code was developed and executed on a PC running Microsoft's Windows 2000 but should work just as well on Windows 95, 98 and NT. Examples run in a DOS-compatible box under these environments. Development was done using the Borland International C/C++ compiler V4.51. Although μC/OS-II was developed and tested on a PC, μC/OS-II was actually targeted for embedded systems and can be ported easily to many different processor architectures.

Preface

Twenty-three years ago (1992), I wrote my first book called *μC/OS, The Real-Time Kernel*. Towards the end of 1998, it was replaced by *MicroC/OS-II, The Real-Time Kernel*. The word *Micro* now replaces the Greek letter μ on the book cover because bookstores didn't know how to properly file μ C/OS. However, for all intents and purposes, MicroC/OS and μ C/OS are synonymous and in this book, I will mostly use μ C/OS-II.

Meets the requirements of Safety Critical Systems

In July of 2000, MicroC/OS-II was certified in an avionics product by the Federal Aviation Administration (i.e. the FAA) for use in commercial aircraft by meeting the demanding requirements of the RTCA DO-178B standard for software used in avionics equipment. In order to meet the requirements of this standard it must be possible to demonstrate through documentation and testing that the software is both robust and safe. This is particularly important for an operating system as it demonstrates that it has the proven quality to be usable in any application. Every feature, function and line of code of MicroC/OS-II has been examined and tested to demonstrate that it is safe and robust enough to be used in Safety Critical Systems where human life is on the line.

μC/OS-II Goals

My most important goal is to demystify real-time kernel internals. By understanding how a kernel works, you are in a better position to determine whether you need a kernel for your own products. Most of the concepts presented in this book are applicable to a large number of commercial kernels. My next most important goal is to provide you with a quality product that you can potentially use in your own products. μ C/OS-II is not freeware nor is it open source code. If you use μ C/OS-II in a commercial product, you need to license its use (see Appendix B, *Licensing Policy for μC/OS-II*).

Intended Audience

This book is intended for embedded system programmers, consultants and students interested in real-time operating systems. μ C/OS-II is a high performance, deterministic real-time kernel and can be (and has been) used in commercial embedded products (see Appendix B, *Licensing Policy for μC/OS-II*).

Instead of writing your own kernel, you should consider μC/OS-II. You will find, as I did, that writing a kernel is not as easy as it first looks.

I'm assuming that you know C and have a minimum knowledge of assembly language. You should also understand microprocessor architectures.

What You Need to Use μC/OS-II

The code supplied with this book assumes that you will be using an IBM-PC/AT or compatible (80386 Minimum) computer running under DOS 4.x or higher. The code was compiled with the Borland C++ V4.51. You should have about 10 MBytes of free disk space on your hard drive. I actually compiled and executed the sample code provided in this book on a 300 MHz Pentium II computer running Microsoft's Windows 2000. I have successfully compiled and ran the code on Windows 95, 98 and NT based machines.

To use μC/OS-II on a different target processor (other than a PC), you will need to either port μC/OS-II to that processor yourself or, obtain such a port from official μC/OS-II WEB site at <http://www.micrium.com>. You will also need appropriate software development tools such as an ANSI C compiler, an assembler, linker/locator and some way of debugging your application.

The μC/OS Story

Many years ago, I designed a product based on an Intel 80C188 at Dynalco Controls, and I needed a real-time kernel. I had been using a well-known kernel (I'll call it kernel A) in my work for a previous employer, but it was too expensive for the application I was designing. I found a lower cost kernel (\$1,000 at the time), I'll call it kernel B, and started the design. I spent about two months trying to get a couple of very simple tasks to run. I was calling the vendor almost on a daily basis for help to make it work. The vendor claimed that kernel B was written in C (the language); however, I had to initialize every single object using assembly language code. Although the vendor was very patient, I decided that I had enough. The product was falling behind schedule, and I really didn't want to spend my time debugging this low-cost kernel. It turns out that I was one of the vendor's first customers, and the kernel really was not fully tested and debugged.

To get back on track, I decided to go back and use kernel A. The cost was about \$5,000 for five development seats, and I had to pay a per-usage fee of about \$200 for each unit that was shipped. This was a lot of money at the time, but it bought some peace of mind. I got the kernel

up and running in about two days. Three months into the project, one of my engineers discovered what looked like a bug in the kernel. I sent the code to the vendor, and sure enough, the bug was confirmed as being in the kernel. The vendor provided a 90-day warranty, but that had expired, so in order to get support, I had to pay an additional \$500 per year for maintenance. I argued with the salesperson for a few months that they should fix the bug since I was actually doing them a favor. They wouldn't budge. Finally, I gave in and bought the maintenance contract, and the vendor fixed the bug six months later. Yes, six months later! I was furious and, most importantly, late delivering the product. In all, it took close to a year to get the product to work reliably with kernel A. I must admit, however, that I have had no problems with it since.

As this was going on, I naively thought that it couldn't be that difficult to write a kernel. All it needs to do is save and restore processor registers. That's when I decided to try to write my own kernel (part time, nights and weekends). It took me about a year to get the kernel to work as well, and in some ways better, than kernel A. I didn't want to start a company and sell it because there were already about 50 kernels out there, so why have another one?

Then I thought of writing a paper for a magazine. First I went to C User's Journal (CUJ) because the kernel was written in C. I had heard CUJ was offering \$100 per published page when other magazines were only paying \$75 per page. My paper had 70 or so pages, so that would be nice compensation for all the time I spent working on my kernel. Unfortunately, the article was rejected for two reasons. First, the article was too long, and the magazine didn't want to publish a series. Second, they didn't want "another kernel article."

I decided to turn to Embedded Systems Programming (ESP) magazine because my kernel was designed for embedded systems. I contacted the editor of ESP (Mr. Tyler Sperry) and told him that I had a kernel I wanted to publish in his magazine. I got the same response from Tyler that I did from CUJ: "Not another kernel article?" I told him that this kernel was different — it was preemptive, it was comparable to many commercial kernels, and the source code could be posted on the ESP BBS (Bulletin Board Service). I was calling Tyler two or three times a week, basically begging him to publish my article. He finally gave in, probably because he was tired of my calls. My article was edited down from 70 pages to about 30 pages and was published in two consecutive months (May and June 1992). The article was probably the most popular article in 1992. ESP had over 500 downloads of the code from the BBS in the first month. Tyler may have feared for his life because kernel vendors were upset that he published a kernel in his magazine. I guess that these vendors must have recognized the quality and capabilities of μC/OS (called μCOS then). The article was really the first that exposed the internal workings of a real-time kernel, so some of the secrets were out.

About the time the article came out in ESP, I got a call from Dr. Bernard (Berney) Williams at CMP Books, CMP Media, Inc. (publisher of CUJ) six months after the initial contact with CUJ. He had left a message with my wife and told her that he was interested in the article. I called him back and said, “Don’t you think you are a little bit late with this? The article is being published in ESP.” Berney said, “No, No, you don’t understand. Because the article is so long, I want to make a book out of it.” Initially, Berney simply wanted to publish what I had (as is), so the book would only have 80 pages or so. I told him that if I was going to write a book, I wanted to do it right. I then spent about six months adding content to what is now known as the first edition. In all, the book published at about 250 pages. I changed the name from μCOS to μC/OS because ESP readers had been calling it “mucus,” which didn’t sound too healthy. Come to think of it, maybe it was a kernel vendor that first came up with the name. Anyway, μC/OS, The Real-Time Kernel was born. Sales were somewhat slow to start. Berney and I had projected about 4,000 to 5,000 copies would be sold in the life of the book, but at the rate it was selling, I thought we’d be lucky if it sold 2,000 copies. Berney insisted that these things take time to get known, so he continued advertising in CUJ for about a year.

A month or so before the book came out, I went to my first Embedded Systems Conference (ESC) in Santa Clara, California (September 1992). I met Tyler Sperry for the first time, and I showed him a copy of the first draft of my book. He very quickly glanced at it and asked if I would like to speak at the next Embedded Systems Conference in Atlanta. Not knowing any better, I said I would and asked him what I should talk about. He suggested “Using Small Real-Time Kernels.” On the trip back from California, I was thinking, “What did I get myself into? I’ve never spoken in front of a bunch of people before. What if I make a fool of myself? What if what I speak about is common knowledge? People pay good money to attend this conference.” For the next six months, I prepared my lecture. At the conference, I had more than 70 attendees. In the first twenty minutes I must have lost one pound of sweat. After my lecture, about 15 people or so came up to me to say that they were very pleased with the lecture and liked my book. I was invited back to the conference but could not attend the one in Santa Clara that year (1993) since my wife was due to have our second child, Sabrina. I was able to attend the next conference in Boston (1994), and I have been a regular speaker at ESC ever since. For the past couple of years, I’ve been on the conference Advisory Committee. I now do at least three lectures at every conference and each has attendance between 100 and 300 people. My lectures are almost always ranked among the top 10% at the conference.

To date, well over 25,000 copies of my μC/OS and μC/OS-II books have been sold around the world. I have received and answered thousands of e-mails from over 44 countries. I still try to answer every single one. I believe that if you take the time to write me, I owe you a response. In 1995, μC/OS, The Real-Time Kernel was translated into Japanese and published in Japan in

a magazine called Interface. In 2001, μC/OS-II was translated to Chinese. A Korean translation came out in early 2002. A Japanese translation is in the works and should be available in 2002.

μC/OS and μC/OS-II have been ported to over 40 different processor architectures and the number of ports is increasing. You should consult the Micrium web site to see if the processor you intend to use is available.

Back in 1992, I never imagined that writing an article would change my life as it has. I met a lot of very interesting people and made a number of good friends in the process.

Thanks for choosing this book and I hope you enjoy it!

Acknowledgments

First and foremost, I would like to thank my wife for her support, encouragement, understanding, and especially patience. Once again, I underestimated the amount of work for this edition – it was supposed to take just a few weeks and be out by January 2002. I would also like to thank my children James (age 11) and Sabrina (age 8) for putting up with the long hours I had to spend in front of the computer.

A very special thanks to Mr. Gino Vannelli (my favorite musician) for creating such wonderful music. As far as I'm concerned, Gino redefines the word 'perfection'. Thanks Gino for being with me (in music) for almost 40 years.

I would also like to thank all the fine people at CMP Books for their help in making this book a reality and for putting up with my insistence on having things done my way.

Finally, I would like to thank all the people who have purchased my μC/OS, μC/OS-II and Embedded Systems Building Blocks books over the years.

Getting Started with µC/OS-II

This chapter provides four examples on how to use µC/OS-II. I decided to include this chapter early in the book so you could start using µC/OS-II as soon as possible. In fact, I assume you know little about µC/OS-II and multitasking; concepts are introduced as needed.

The sample code was compiled using the Borland C/C++ compiler V4.51 and options were selected to generate code for an Intel/AMD 80186 processor (large memory model). The code was actually run and tested on a 300MHz Intel Pentium II PC, running in a DOS window using Windows 2000. For all intents and purposes, a Pentium can be viewed as a superfast 80186 processor. The Borland C/C++ V4.52 (called the *Borland Turbo C++ 4.5*) is available from JK Microsystems (www.jkmicro.com) and specifically: <http://stores.jkmicro.com/borland-c-development-kit/>.

The PC was chosen as my target system for a number of reasons. First and foremost, when I wrote the initial version of the book, it was a lot easier to test code on a PC than on any other embedded environment (i.e., evaluation board, emulator, etc.): there were no EPROMs to burn and no downloads to EPROM emulators, CPU emulators, etc. You simply compile, link, and run. Second, the 80186 object code (real mode, large model) generated using the Borland C/C++ compiler is compatible with all 80x86 derivative processors from Intel, AMD, and others. Today, you can get evaluation board for next to nothing and the 80x86 might not be the best embedded target but will nonetheless be covered in this document.

Installing µC/OS-II

You can download the example code from the Micrium website and you should refer to Appendix F for instruction on how to install the source of µC/OS-II and executables of the examples on your computer. The installation assumes that you will be installing the software on either a Windows 95, 98, Me, NT, 2000 or XP based computer.

Example 1: Basic Multitasking

Example #1 demonstrates basic multitasking capabilities of µC/OS-II. Ten tasks display a number between 0 and 9 at random locations on the screen. Each task displays only one of the number. In other words, one task displays 0 at random locations, another task displays 1 and so on.

The code for Example #1 is found in the \SOFTWARE\uCOS-II\EX1_x86L\BC45 directory of the installation drive (the default is C:). You can open a DOS window (called *Command Prompt* in Windows 2000) and type:

```
CD \SOFTWARE\uCOS-II\EX1_x86L\BC45\TEST
```

The CD command allows you to change directory and, in this case, go to the TEST directory of Example #1. The TEST directory contains four files: MAKETEST.BAT, TEST.EXE, TEST.LNK and TEST.MAK. To execute example #1, simply type TEST at the command line prompt. The DOS window will run the TEST.EXE program.

After about one second, you should see the DOS window randomly fill up with numbers between 0 and 9 as shown in Figure 1.1.

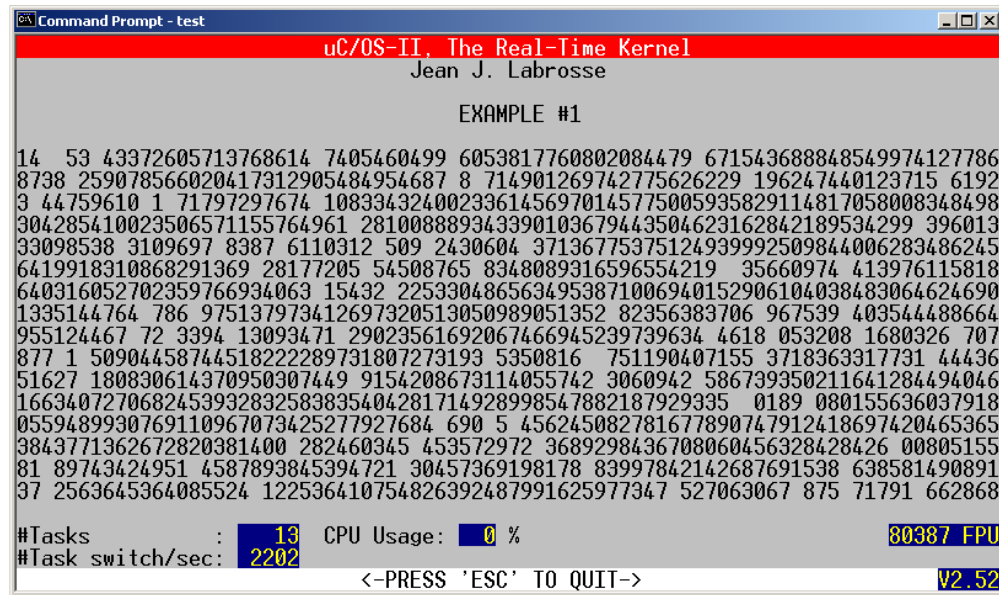


Figure - Figure 1.1 Example #1 running in a DOS window.

Example #1 basically consists of 13 tasks as displayed in the lower left of Figure 1.1. µC/OS-II creates two internal tasks: the idle task and a task that determines CPU usage. The code in Example #1 creates the other 11 tasks.

The source code for example #1 is found in TEST.C, in the SOURCE directory. You can get there from the TEST directory by typing:

```
CD ..\SOURCE
```

Portions of TEST.C are shown in Listing 1.1. You can examine the actual code using your favorite code editor.

Note: To describe listings and figures, I will place a reference in the margin. The reference corresponds to an element of the listing or figure that I want to bring your attention to. For example, **L1.1(1)** means: “please refer to **Listing 1.1** and locate the item **(1)**”. This notation also applies to figures and thus **F3.1(2)** would mean: “please look at **Figure 3.1** and examine item **(2)**”.

```
#include "includes.h" (1)

#define TASK_STK_SIZE 512 (2)
#define N_TASKS 10

OS_STK TaskStk[N_TASKS][TASK_STK_SIZE]; (3)
OS_STK TaskStartStk[TASK_STK_SIZE]; (4)
char TaskData[N_TASKS]; (5)
OS_EVENT *RandomSem; (6)
```

Listing - Listing 1.1 Example #1, TEST.C

- (1) First, you will notice that there is only a single #include statement. That’s because I like to place all my header files in a ‘master’ header file called INCLUDES.H. Each source file always references this single include file and thus, I never need to worry about determining which headers I need; they all get included via INCLUDES.H. You can use your code editor to view the contents of INCLUDES.H which is also found in the SOURCE directory.

I will get back to Listing 1.1 later as needed. Like most C programs, we need a main() as shown in Listing 1.2.

```
void main (void)
{
    PC_DispcClrScr(DISP_FGND_WHITE + DISP_BGND_BLACK);           (1)

    OSInit();                                                    (2)

    PC_DOSSaveReturn();                                         (3)
    PC_VectSet(uCOS, OSCtxSw);                                   (4)

    RandomSem = OSemCreate(1);                                   (5)

    OSTaskCreate(TaskStart, (void *)0, &TaskStartStk[TASK_STK_SIZE - 1], 0); (6)

    OSStart();                                                  (7)
}
```

Listing - Listing 1.2 Example #1, TEST.C, main().

- (1) µC/OS-II is a multitasking kernel and allows you to have up to 255 application tasks. µC/OS-II decides when to switch from one task to the other based on information you provide to µC/OS-II. One of the items you must tell µC/OS-II is the priority of your tasks. Changing between tasks is called a *context switch*.

`main()` starts by clearing the screen to ensure that no characters are left over from the previous DOS session. The function `PC_DispcClrScr()` is found in a file called `PC.C` (see *Chapter 18, PC Services* for details). `PC.C` contains functions that provides services if you are running in a DOS environment (or a window under the Windows 95, 98, Me, NT, 2000 or XP operating systems). The **PC_** prefix allows you to easily determine the name of the file where the function comes from; in this case, `PC.C`. You should note that I specified white letters on a black background. Since the screen will be cleared, I simply could have specified a black background and not specified a foreground. If I did this, and you decided to return to the DOS prompt, you would not see anything on the screen! It's always better to specify a visible foreground just for this reason.

- (2) A requirement of µC/OS-II is that you call `OSInit()` before you invoke any of its other services. `OSInit()` creates two tasks: an idle task, which executes when no other task is ready to run, and a statistic task, which computes CPU usage.
- (3) The current DOS 'environment' is saved by calling `PC_DOSSaveReturn()`. This allows you to return to DOS as if you had never started µC/OS-II. You can refer to *Chapter 18, PC Services* for a description of what `PC_DOSSaveReturn()` does.
- (4) `main()` calls `PC_VectSet()` (see *Chapter 18, PC Services*) to install the µC/OS-II context

switch handler. Task-level context switching will be done by μC/OS-II by issuing an 80x86 INT instruction to this vector location. I decided to use vector 0x80 (i.e., 128) because it's not used by either DOS or the BIOS.

- (5) A binary semaphore is created to guard access to the random number generator function provided by the Borland C/C++ library. A semaphore is an object provided by the kernel to prevent multiple tasks from accessing the same resource (in this case a function) at the same time. I decided to use a semaphore because I didn't know whether or not the random generator function was reentrant; I assumed it was not. By initializing the semaphore to 1, I'm telling μC/OS-II to only allow one task to access the random generator function at any given time. A semaphore must be 'created' before it can be used. This is done by calling `OSSemCreate()` and specifying its initial value. `OSSemCreate()` returns a 'handle' (see Listing 1.1(6)) to the semaphore which must be used to reference this particular semaphore.
- (6) Before starting multitasking, you have to create at least one task. For this example, I called this task `TaskStart()`. You 'create' a task because you want to tell μC/OS-II to manage the task. The `OSTaskCreate()` function receives four arguments. The first argument is a pointer to the task's address, in this case `TaskStart()`. The second argument is a pointer to data that you want to pass to the task when it first starts. In this case, there is nothing to pass and thus, I passed a NULL pointer but it could have been anything. I'll discuss the use of this argument in Example #4. The third argument is the task's top-of-stack (TOS). With μC/OS-II, as with most preemptive kernels, each task requires its own stack space. Each task in μC/OS-II can have a different size but, for simplicity, I made them all the same. On the 80x86 CPU, the stack grows downwards and thus, we must pass the highest most 'valid' TOS address to `OSTaskCreate()`. In this case, the stack is called `TaskStartStk[]` and is allocated at compile time. A stack must be declared having a type `OS_STK` (see Listing 1.1(4)). The size of the stack is declared in Listing 1.1(2). For the 80x86, an `OS_STK` is a 16-bit value and thus, the size of the stack is 1024 bytes. Finally, we must specify the priority of the task being created. The lower the priority number the higher the priority (i.e. its importance).

As previously mentioned, μC/OS-II allows you to create up to 255 tasks. However, each task must have a unique priority number between 0 and 254. You're the one that actually decides what priority to give your tasks based on your application requirements. Priority level 0 is the highest priority.

- (7) `OSStart()` is then called to start multitasking and give control to μC/OS-II. It is very

important that you create at least one task before calling `OSStart()`. Failure to do this will certainly make your application crash. In fact, you may always want to create only one task if you are planning on using the CPU usage statistic task.

`OSStart()`'s job is to determine which, of all the tasks created, is the most important one (highest priority), and start executing this task. In our case, μC/OS-II created two low priority tasks: the idle task and the statistic task. `main()` created `TaskStart()` with a priority of 0. As I mentioned, priority 0 is the highest priority, and thus, `OSStart()` will start executing `TaskStart()`.

You should note that `OSStart()` doesn't return back to `main()`. However, if you call `PC_DOSReturn()`, multitasking would be halted and your application would return back to DOS (but not `main()`). In an embedded system, there is no need for an equivalent function to `PC_DOSReturn()` because you would most likely not be returning to anything!

As I mentioned in the previous section, `OSStart()` will select `TaskStart()` as the most important task to run first. `TaskStart()` is shown in Listing 1.3.

```
void TaskStart (void *pdata)
{
  #if OS_CRITICAL_METHOD == 3
    OS_CPU_SR  cpu_sr;
  #endif
  char        s[100];
  INT16S     key;

  pdata = pdata;                               (1)

  TaskStartDispInit();                         (2)

  OS_ENTER_CRITICAL();                         (3)
  PC_VectSet(0x08, OSTickISR);                (4)
  PC_SetTickRate(OS_TICKS_PER_SEC);           (5)
  OS_EXIT_CRITICAL();                          (6)

  OSStatInit();                               (7)

  TaskStartCreateTasks();                      (8)

  for (;;) {                                  (9)
    TaskStartDisp();                           (10)

    if (PC_GetKey(&key) == TRUE) {            (11)
      if (key == 0x1B) {                       (12)
        PC_DOSReturn();                       (13)
      }
    }

    OSCtxSwCtr = 0;                            (14)
    OSTimeDlyHMSM(0, 0, 1, 0);                (15)
  }
}
```

Listing - Listing 1.3 Example #1, TEST.C, TaskStart().

- (1) TaskStart() begins by setting pdata to itself. I do this because some compilers would complain (error or warning) if pdata is not referenced. In other words, I ‘fake’ the usage of pdata! pdata is a pointer passed to your task, when the task is created. The second argument passed in OSTaskCreate() is none other than the argument pdata of a task (see L1.2(6)). Because I passed a NULL pointer (again see L1.2(6)), I am not passing anything to TaskStart().
- (2) TaskStart() then calls TaskStartDispInit() to initialize the display as shown in Figure 1.2. TaskStartDispInit() makes 25 consecutive calls to PC_DispStr() (see Chapter 18, PC Services) to fill the 25 lines of text of a typical DOS window.

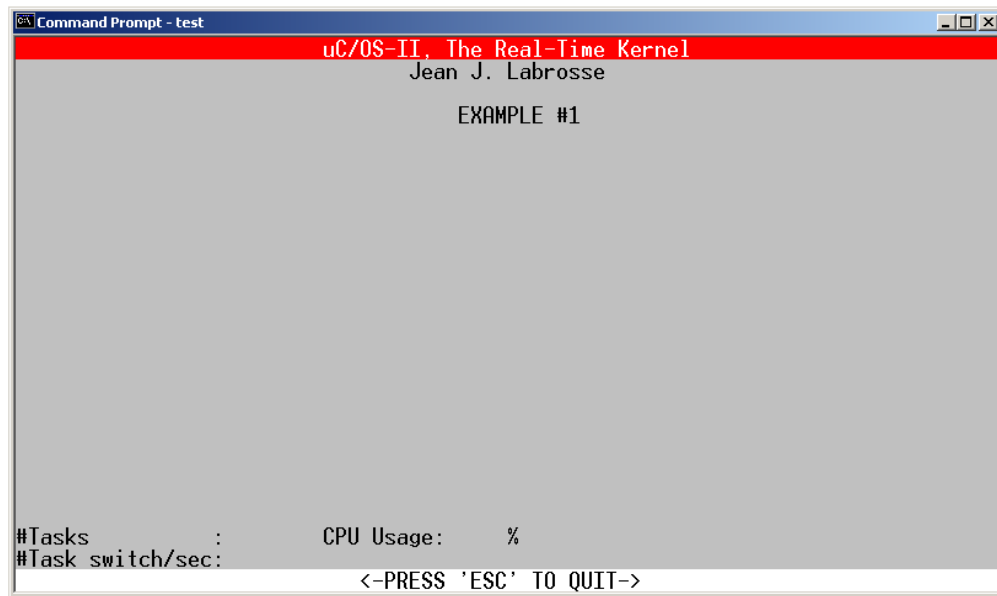


Figure - Figure 1.2 Initialization of the display by TaskStartDispInit().

- (3) TaskStart() then invokes the macro OS_ENTER_CRITICAL(). OS_ENTER_CRITICAL() is basically a processor-specific macro and its used to disable interrupts (see *Chapter 13, Porting µC/OS-II*).
- (4) µC/OS-II, like all kernel, requires a time source to keep track of delays and timeouts. In real mode, the PC offers such a time source which occurs every 54.925 ms (18.20648 Hz) and is called a *tick*. PC_vectSet() allows us to replace the address where the PC goes to service the DOS tick with one that will be used by µC/OS-II. However, µC/OS-II will still call the DOS tick handler every 54.925 ms. This technique is called *chaining* and is setup by PC_DOSSaveReturn() (see *Chapter 18, PC Services*).
- (5) We then change the tick rate rate from 18.2 Hz to 200 Hz. I selected 200 Hz because it's almost an exact multiple of 18.2 Hz (i.e. 11 times faster). I never quite understood why IBM selected 18.2 Hz instead of 20 Hz as the tick rate on the original PC. Instead of setting up the 82C54 timer to divide the timer input frequency by 59,659 to obtain a nice 20 Hz, it appears that they left the 16-bit timer overflow every 65,536 pulses! Changing the tick rate is handled by another PC service called PC_SetTickRate() and is passed the desired tick rate (OS_TICKS_PER_SEC is set to 200 in OS_CPU.H).
- (6) We then invoke the macro OS_EXIT_CRITICAL(). OS_EXIT_CRITICAL() is basically a

processor-specific macro and its used to reenale interrupts (see *Chapter 13, Porting µC/OS-II*). `OS_ENTER_CRITICAL()` and `OS_EXIT_CRITICAL()` must be used in pair.

- (7) `OSStatInit()` is called to determine the speed of your CPU (see *Chapter 3, Kernel Structure*). This allows µC/OS-II to know what percentage of the CPU is actually being used by all the tasks.
- (8) `TaskStart()` then calls `TaskStartCreateTasks()` to let µC/OS-II manage more tasks. Specifically, we will be adding `N_TASKS` identical tasks (see Listing 1.1(2)). `TaskStartCreateTasks()` is shown in Listing 1.4.

```
static void TaskStartCreateTasks (void)
{
    INT8U i;

    for (i = 0; i < N_TASKS; i++) {
        TaskData[i] = '0' + i;           (1)
        OSTaskCreate(Task,              (2)
                    (void *)&TaskData[i], (3)
                    &TaskStk[i][TASK_STK_SIZE - 1], (4)
                    i + 1);            (5)
    }
}
```

Listing - Listing 1.4 Example #1, TEST.C, TaskStartCreateTasks().

- (1) An array is initialized to contain the ASCII characters '0' to '9' (see also Listing 1.1(5)).
- (2) The loop will initialize `N_TASKS` identical tasks called `Task()`. `Task()` will be responsible for placing an ASCII character at a random location on the screen. In fact, each instance of `Task()` will place a different character.
- (3) Each of these task will receive a pointer to the array of ASCII characters. Each task will in fact receive a pointer to a different character.
- (4) Again, each task requires its own stack space (see Listing 1.1(3)).
- (5) With µC/OS-II, each task must have a unique priority. Since priority number 0 is already used by `TaskStart()`, I decided to create tasks with priorities 1 through 10.

As each task is created, μC/OS-II determines whether the created task is more important than the creator. If the created task had a higher priority than μC/OS-II would immediately run the created task. However, since `TaskStart()` has the highest priority (priority 0), none of the created tasks will execute just yet.

We can now resume discussion of Listing 1.3.

- (9) With μC/OS-II, each task must be an infinite loop.
- (10) `TaskStartDisp()` is called to display information at the bottom of the DOS window (see Figure 1.1). Specifically, `TaskStartDisp()` will print the number of tasks created, the current CPU usage in percentage, the number of context switches, the version of μC/OS-II and finally, whether your processor has a Floating-Point Unit (FPU) or not.
- (11) `TaskStart()` then checks to see if you pressed a key by calling `PC_GetKey()`.
- (12) & (13) `TaskStart()` determines whether you pressed the 'ESC' key on your keyboard and if so, calls `PC_DOSReturn()` to exit this example and return back to the DOS prompt. You can find out how this is done by referring to *Chapter 18, PC Services*.
- (14) If you didn't press the 'Esc' key, the global variable `OSCtxSwCtr` (the context switch counter) is cleared so that we can display the number of context switches in one second.
- (15) Finally, `TaskStart()` is suspended (will not run) for one complete second by calling `OSTimeDlyHMSM()`. The **HMSM** stands for **H**ours, **M**inutes, **S**econds and **M**illiseconds and corresponds to the arguments passed to `OSTimeDlyHMSM()`. Because `TaskStart()` is suspended for one second, μC/OS-II will start executing the next most important task, in this case `Task()` at priority 1. You should note that without `OSTimeDlyHMSM()` (or other similar functions), `TaskStart()` would be a true infinite loop and other tasks would never get a chance to run.

The code for `Task()` is shown in Listing 1.5.

```
void Task (void *pdata)
{
    INT8U x;
    INT8U y;
    INT8U err;

    for (;;) {
        OSSEmPend(RandomSem, 0, &err);
        x = random(80);
        y = random(16);
        OSSemPost(RandomSem);

        PC_Dispatch(x, y + 5, *(char *)pdata, DISP_FGND_LIGHT_GRAY);
        OSTimeDly(1);
    }
}
```

Listing - Listing 1.5 Example #1, TEST.C, Task().

- (1) As I previously mentioned, a µC/OS-II task is typically an infinite loop.
- (2) The task starts by acquiring the semaphore which guards access to the Borland compiler random number generator function. This is done by calling `OSSEmPend()` and passing it the 'handle' (see L1.1(6)) of the semaphore which was created to guard access to the random number generator function. The second argument of `OSSEmPend()` is used to specify a timeout. A value of 0 means that this task will wait forever for the semaphore. Because the semaphore was initialized with a count of one and no other task has requested the semaphore, `Task()` is allowed to continue execution. If the semaphore was 'owned' by another task, µC/OS-II would have suspended this task, and executed the next most important task.
- (3) The random number generator function is called and a value between 0 and 79 (inclusively) is returned. This happens to be the 'X' coordinate where we want to display the character '0' (for this task) on the screen.
- (4) Again, the random number generator is called and returns a number between 0 and 15 (inclusively). This value will be used to determine the 'Y' position of the character to display.
- (5) The semaphore is released by calling `OSSemPost()`. Here we simply need to specify the semaphore 'handle'.
- (6) We can now display the character that was passed to `Task()` when `Task()` was created.

For the first instance of `Task()`, the character would be '0' and the last instance, it's '9'. I added an offset of 5 lines from the top so that I don't overwrite the header at the top of the display (see Figure 1.1).

- (7) Finally, `Task()` calls `OSTimeDly()` to tell µC/OS-II that it's done executing and to give other tasks a chance to run. The value of 1 means that I want this task to delay for one clock tick or, 5 ms since the tick rate is 200 Hz. When `OSTimeDly()` is called, µC/OS-II suspends the calling function and executes the next most important task. In this case, it would be another instance of `Task()` which would display '1'. This process goes on for all instances of `Task()` and thus, that's why Figure 1.1 looks the way it does.

If you have the Borland C/C++ V4.5x compiler installed in the `c:\bc45` directory, you can experiment with `TEST.C`. After modifying `TEST.C`, you can type `MAKETEST` from the command line prompt of the `TEST` directory which builds a new `TEST.EXE`. If you don't have the Borland C/C++ V4.5x or you have it installed in a different directory, you can make the appropriate changes to `TEST.MAK`, `INCLUDES.H` and `TEST.LNK`.

The `SOURCE` directory contains four files: `INCLUDES.H`, `OS_CFG.H`, `TEST.C` and `TEST.LNK`. `OS_CFG.H` is used to determine µC/OS-II configuration options. `TEST.LNK` is the linker command file for the Borland linker, `TLINK`.

Example 2: Stack Checking

Example #2 demonstrates the stack checking feature of µC/OS-II. The amount of stack space used by each task is displayed along with the amount of free stack space. Also, Example #2 shows the execution time of the stack checking function `OSTaskStkChk()` since it depends on the size of each stack. It turns out that a heavily used stack requires less processing time.

The code for Example #2 is found in the `\SOFTWARE\uCOS-II\EX2_x86L\BC45` directory. You can open a DOS window and type:

```
CD \SOFTWARE\uCOS-II\EX2_x86L\BC45\TEST
```

To execute example #2, simply type `TEST` at the command line prompt. The DOS window will run the `TEST.EXE` program.

After about one second, you should see the screen shown in Figure 1.3.

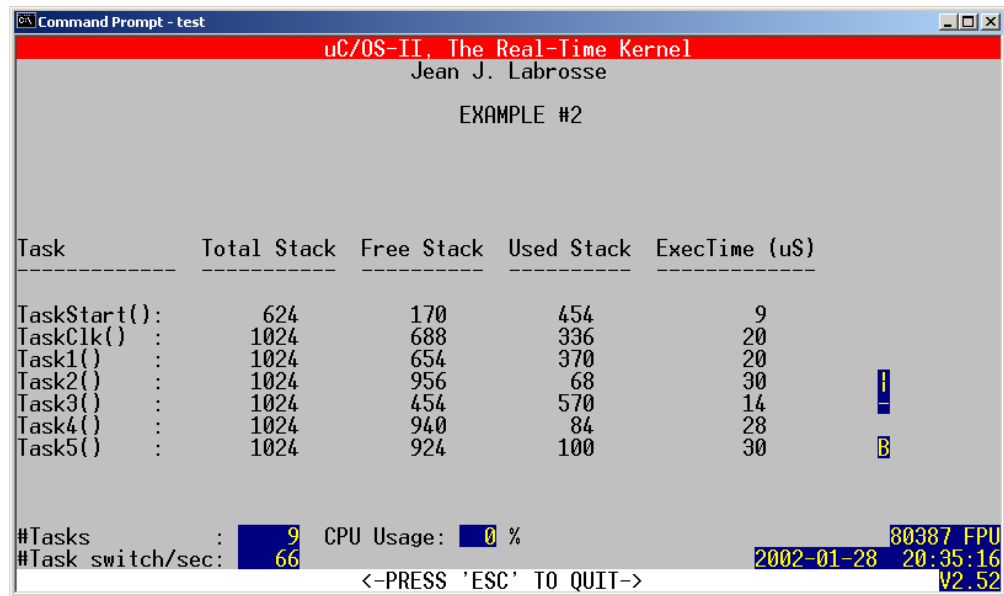


Figure - Figure 1.3 Example #2 running in a DOS window.

Example #2 consists of 9 tasks as displayed in the lower left of Figure 1.3. Of those 9 tasks, µC/OS-II creates two internal tasks: the idle task and a task that determines CPU usage. Example #2 creates the other 7 tasks.

Example #2 shows you how you can display task statistics beyond the number of tasks created, the number of context switches and the CPU usage. Specifically, Example #2 shows you how you can find out how much stack space each task is actually using and how much execution time it takes to determine the size of each task stack.

Example #2 makes use of the extended task create function (OSTaskCreateExt()) and the µC/OS-II stack-checking feature (OSTaskStkChk()). Stack checking is useful when you don't actually know ahead of time how much stack space you need to allocate for each task. In this case, you would allocate much more stack space than you think you need and let µC/OS-II tell you exactly how much stack space is actually used. You obviously need to run the application long enough and under your worst case conditions to get valid numbers. Your final stack size should accommodate system expansion, so make sure you allocate between 10 and 25 percent more. In safety-critical applications, however, you may even want to consider 100 percent more! What you get from stack checking is a ballpark figure; you are not looking for an exact stack usage.

The µC/OS-II stack-checking function fills the stack of a task with zeros when the task is created. You accomplish this by telling OSTaskCreateExt() that you want to clear the stack

upon task creation and, that you'll want to check the stack (i.e., by setting the `OS_TASK_OPT_STK_CLR` and `OS_TASK_OPT_STK_CHK` for the `opt` argument). If you intend to create and delete tasks, you should set these options so that a new stack is cleared every time the task is created. You should note that having `OSTaskCreateExt()` clear the stack increases execution overhead, which obviously depends on the stack size.

µC/OS-II scans the stack starting at the bottom until it finds a nonzero entry. As the stack is scanned, µC/OS-II increments a counter that indicates how many entries are free.

The source code for example #2 is found in `TEST.C`, in the `SOURCE` directory. You can get there from the `TEST` directory by typing:

```
CD ..\SOURCE
```

Portions of `TEST.C` are shown in Listing 1.6. You can examine the actual code using your favorite code editor.

```
#include "includes.h" (1)

#define TASK_STK_SIZE 512 (2)

#define TASK_START_ID 0 (3)
#define TASK_CLK_ID 1
#define TASK_1_ID 2
#define TASK_2_ID 3
#define TASK_3_ID 4
#define TASK_4_ID 5
#define TASK_5_ID 6

#define TASK_START_PRIO 10 (4)
#define TASK_CLK_PRIO 11
#define TASK_1_PRIO 12
#define TASK_2_PRIO 13
#define TASK_3_PRIO 14
#define TASK_4_PRIO 15
#define TASK_5_PRIO 16

OS_STK TaskStartStk[TASK_STK_SIZE]; (5)
OS_STK TaskClkStk[TASK_STK_SIZE];
OS_STK Task1Stk[TASK_STK_SIZE];
OS_STK Task2Stk[TASK_STK_SIZE];
OS_STK Task3Stk[TASK_STK_SIZE];
OS_STK Task4Stk[TASK_STK_SIZE];
OS_STK Task5Stk[TASK_STK_SIZE];

OS_EVENT *AckMbox; (6)
OS_EVENT *TxMbox;
```

Listing - Listing 1.6 Example #2, TEST.C

Based on what you learned in Example #1, you should recognize:

- (1) INCLUDES.H as the master include file.
- (2) The size of each task stacks (TASK_STK_SIZE). Again, I made all stack sizes the same for simplicity but with µC/OS-II, the stack size for each task can be different.
- (5) The storage for the task stacks.

main() for example #2 is shown in Listing 1.7 and look very similar to the main() of example #1. I will only describe the differences.

```
void main (void)
{
    OS_STK *ptos;
    OS_STK *pbos;
    INT32U size;

    PC_DispcClrScr(DISP_FGND_WHITE);

    OSInit();

    PC_DOSSaveReturn();
    PC_VectSet(uCOS, OSCtxSw);

    PC_ElapsedInit();                                     (1)

    ptos      = &TaskStartStk[TASK_STK_SIZE - 1];      (2)
    pbos      = &TaskStartStk[0];
    size      = TASK_STK_SIZE;
    OSTaskStkInit_FPE_x86(&ptos, &pbos, &size);        (3)
    OSTaskCreateExt(TaskStart,                            (4)
                    (void *)0,
                    ptos,                                 (5)
                    TASK_START_PRIO,                     (6)
                    TASK_START_ID,                       (7)
                    pbos,                                 (8)
                    size,                                 (9)
                    (void *)0,                           (10)
                    OS_TASK_OPT_STK_CHK | OS_TASK_OPT_STK_CLR); (11)

    OSStart();
}
```

Listing - Listing 1.7 Example #2, TEST.C, main()

- (1) main() calls PC_ElapsedInit() to initialize the elapsed time measurement function that will be used to measure the execution time of OSTaskStkChk(). This function basically measures the execution time (i.e. overhead) of two functions: PC_ElapsedStart() and

PC_ElapsedStop(). By measuring this time, we can determine fairly precisely how long it takes to execute code that's wrapped between these two calls.

- (2) & (3) TaskStart() in example #2 will be invoking the floating-point emulation library instead of making use of the Floating-Point Unit (FPU) which is present on 80486 and higher-end PCs. The Borland compiler defaults to use its emulation library if an FPU is not detected. In other words, if you were to run TEST.EXE on a DOS based machine equipped with an Intel 80386EX (without an 80387 coprocessor) then, the floating-point unit would be emulated. The emulation library is unfortunately non-reentrant and we have to 'trick' it in order to allow multiple tasks to do floating-point math. For now, let me just say that we have to modify the task stack to accommodate the floating-point emulation library. This is accomplished by calling OSTaskStkInit_FPE_x86() (see *Chapter 14, 80x86 Port*). You will notice from Figure 1.3 that the stack size reported for TaskStart() is 624 instead of 1024. That's because OSTaskStkInit_FPE_x86() reserves the difference for the floating-point emulation library.
- (4) Instead of calling OSTaskCreate() to create TaskStart(), we must call OSTaskCreateExt() (the extended version of OSTaskCreate()) because we modified the stack and also because we want to check the stack size at run-time (described later).
- (5) OSTaskStkInit_FPE_x86() modifies the top-of-stack pointer so we must pass the new pointer to OSTaskCreateExt().
- (6) Instead of passing a hard-coded priority (as I did in example #1), I created a #define symbol (see L1.6(4)).
- (7) OSTaskCreateExt() requires that you pass a task identifier (ID). The actual value can be anything since this field is not actually used by µC/OS-II at this time.
- (8) OSTaskStkInit_FPE_x86() modifies the bottom-of-stack pointer so we must pass the new pointer to OSTaskCreateExt().
- (9) OSTaskStkInit_FPE_x86() also modifies the size of the stack so we must pass the new size to OSTaskCreateExt().
- (10) One of OSTaskCreateExt()'s argument is a Task Control Block (TCB) extension pointer. This argument is not used in example #2 so we simply pass a NULL pointer.

- (11) Finally, the last argument to `OSTaskCreateExt()` is a set of options (i.e. bits) that tell `OSTaskCreateExt()` that we will be doing stack size checking and that we want to clear the stack when the task is created.

`TaskStart()` is similar to the one described in example #1 and is shown in Listing 1.8. Again, I will only describe the differences.

```
void TaskStart (void *pdata)
{
  #if OS_CRITICAL_METHOD == 3
    OS_CPU_SR  cpu_sr;
  #endif
  INT16S      key;

  pdata = pdata;

  TaskStartDispInit();                               (1)

  OS_ENTER_CRITICAL();
  PC_VectSet(0x08, OSTickISR);
  PC_SetTickRate(OS_TICKS_PER_SEC);
  OS_EXIT_CRITICAL();

  OSStatInit();

  AckMbox = OSMBboxCreate((void *)0);               (2)
  TxMbox  = OSMBboxCreate((void *)0);

  TaskStartCreateTasks();                             (3)

  for (;;) {
    TaskStartDisp();

    if (PC_GetKey(&key)) {
      if (key == 0x1B) {
        PC_DOSReturn();
      }
    }

    OSCtxSwCtr = 0;
    OSTimeDly(OS_TICKS_PER_SEC);                     (4)
  }
}
```

Listing - Listing 1.8 Example #2, TEST.C, TaskStart()

- (1) Although the function call is identical `TaskStartDispInit()` initializes the display as shown in Figure 1.4.

```

Command Prompt - test
µC/OS-II, The Real-Time Kernel
Jean J. Labrosse

EXAMPLE #2

Task          Total Stack  Free Stack  Used Stack  ExecTime (uS)
-----
TaskStart():
TaskC1k()  :
Task1()    :
Task2()    :
Task3()    :
Task4()    :
Task5()    :

#Tasks      :          CPU Usage:      %
#Task switch/sec:
<-PRESS 'ESC' TO QUIT->
    
```

Figure - Figure 1.4 Initialization of the display by TaskStartDispInit().

- (2) µC/OS-II allows you to have tasks or ISRs send messages to other tasks. In example #2, I will have task #4 send a message to task #5 and, task #5 will respond back to task #4 with an acknowledgement message (described later). For this purpose, we need to create two kernel objects that are called *mailboxes*. A mailbox allows a task or an ISR to send a 'pointer' to another task. The mailbox only has room for a single pointer. What the pointer points to is application specific and of course, both the sender and the receiver need to agree about the contents of the message.
- (3) TaskStartCreateTasks() creates six tasks using OSTaskCreateExt(). These tasks will not be doing floating-point operations and thus, there is no need to call OSTaskStkInit_FPE_x86() to modify the stacks. However, I will be doing stack checking on these tasks so I call OSTaskCreateExt() with the proper options set.
- (4) In example #1, I called OSTimeDlyHMSM() to delay TaskStart() for one second. I decided to use OSTimeDly(OS_TICKS_PER_SEC) to show you that you can use either method. However, OSTimeDly() is slightly faster than OSTimeDlyHMSM().

The code for Task1() is shown in Listing 1.9. Task1() checks the size of the stack for each of the seven application tasks (the six tasks created by TaskStart() and TaskStart() itself).

```
void Task1 (void *pdata)
{
    INT8U    err;
    OS_STK_DATA data;
    INT16U   time;
    INT8U    i;
    char     s[80];

    pdata = pdata;
    for (;;) {
        for (i = 0; i < 7; i++) {
            PC_ElapsedStart();                (1)
            err = OSTaskStkChk(TASK_START_PRIO + i, &data); (2)
            time = PC_ElapsedStop();          (3)
            if (err == OS_NO_ERR) {
                sprintf(s, "%41d    %41d    %41d    %6d", (4)
                    data.OSFree + data.OSUsed,
                    data.OSFree,
                    data.OSUsed,
                    time);
                PC_DispStr(19, 12 + i, s, DISP_FGND_YELLOW); (5)
            }
        }
        OSTimeDlyHMSM(0, 0, 0, 100);        (6)
    }
}
```

Listing - Listing 1.9 Example #2, TEST.C, Task1()

- (1) & (3) The execution time of OSTaskStkChk() is measured by wrapping OSTaskStkChk() with calls to PC_ElapsedStart() and PC_ElapsedStop(). PC_ElapsedStop() returns the time difference in microseconds.
- (2) OSTaskStkChk() is a service provided by µC/OS-II to allow your code to determine the actual stack usage of a task. You call OSTaskStkChk() by passing it the task priority of the task you want to check. The second argument to the function is a pointer to a data structure that will hold information about the task's stack. Specifically, OS_STK_DATA contains the number of bytes used and the number of bytes free. OSTaskStkChk() returns an error code that indicates whether the call was successful. It would not be successful if I had passed the priority number of a task that didn't exist.
- (4) & (5) The information retrieved by OSTaskStkChk() is formatted into a string and displayed.
- (6) I decided to execute this task 10 times per second but in an actual product or application, you would most likely run stack checking every few seconds or so. In other words, it might not make sense to consume valuable CPU processing time to determine worst case

stack growth.

The code for Task2() and Task3() is shown in listing 1.10. Both of these task display a spinning wheel. The two tasks are almost identical. Task3() allocates and initializes a 'dummy' array of 500 bytes. I wanted to 'consume' stack space to show you that OSTaskStkChk() would report that Task3() has 502 bytes less than Task2() on its stack (500 bytes for the array and 2 bytes for the 16-bit integer). Task2()'s wheel spins clockwise at 5 rotations per second and Task3()'s wheel spins counterclockwise at 2.5 rotations per second.

Note: If you run example #2 in a window under Windows 95, 98, Me, NT, 2000 or XP, the rotation may not appear as quick. Simply press and hold the 'Alt' key and then press the 'Enter' key on your keyboard to make the DOS window use the whole screen. You can go back to window mode by repeating the operation.

```
void Task2 (void *data)
{
    data = data;
    for (;;) {
        PC_Dispatch(70, 15, '|', DISP_FGND_WHITE + DISP_BGND_RED);
        OSTimeDly(10);
        PC_Dispatch(70, 15, '/', DISP_FGND_WHITE + DISP_BGND_RED);
        OSTimeDly(10);
        PC_Dispatch(70, 15, '-', DISP_FGND_WHITE + DISP_BGND_RED);
        OSTimeDly(10);
        PC_Dispatch(70, 15, '\\', DISP_FGND_WHITE + DISP_BGND_RED);
        OSTimeDly(10);
    }
}

void Task3 (void *data)
{
    char    dummy[500];
    INT16U  i;

    data = data;
    for (i = 0; i < 499; i++) {
        dummy[i] = '?';
    }
    for (;;) {
        PC_Dispatch(70, 16, '|', DISP_FGND_WHITE + DISP_BGND_BLUE);
        OSTimeDly(20);
        PC_Dispatch(70, 16, '\\', DISP_FGND_WHITE + DISP_BGND_BLUE);
        OSTimeDly(20);
        PC_Dispatch(70, 16, '-', DISP_FGND_WHITE + DISP_BGND_BLUE);
        OSTimeDly(20);
        PC_Dispatch(70, 16, '/', DISP_FGND_WHITE + DISP_BGND_BLUE);
        OSTimeDly(20);
    }
}
```

Listing - Listing 1.10 Example #2, TEST.C, Task2() and Task3()

Task4() and Task5() are shown in Listing 1.11.

```
void Task4 (void *data)
{
    char  txmsg;
    INT8U  err;

    data = data;
    txmsg = 'A';
    for (;;) {
        OSMboxPost(TxMbox, (void *)&txmsg);           (1)
        OSMboxPend(AckMbox, 0, &err);                 (2)
        txmsg++;                                       (3)
        if (txmsg == 'Z') {
            txmsg = 'A';
        }
    }
}
void Task5 (void *data)
{
    char *rxmsg;
    INT8U  err;

    data = data;
    for (;;) {
        rxmsg = (char *)OSMboxPend(TxMbox, 0, &err);   (4)
        PC_Dispatch(70, 18, *rxmsg, DISP_FGND_YELLOW + DISP_BGND_RED);(5)
        OSTimeDlyHMSM(0, 0, 1, 0);                    (6)
        OSMboxPost(AckMbox, (void *)1);               (7)
    }
}
```

Listing - Listing 1.11 Example #2, TEST.C, Task4() and Task5()

- (1) Task4() sends a message (an ASCII character) to Task5() by posting the message to the TxMbox.
- (2) Task4() then waits for an acknowledgement from Task5() by waiting on the AckMbox. The second argument to the OSMboxPend() call specifies a timeout and I specified to wait forever because I passed a value of 0. By specifying a non-zero value, Task4() would have given up waiting after the specified timeout. The timeout is specified as an integral number of clock ticks.
- (3) The message is changed when Task5() acknowledges the previous message.
- (4) When Task5() starts execution, it immediately waits (forever) for a message to arrive through the mailbox TxMbox.

- (5) When the message arrives, Task5() displays it on the screen.
- (6) & (7) Task5() then waits for one second before acknowledging Task4(). I decided to wait for one second so that you could see it change on the screen. In fact, there must either be a delay in Task5() or one in Task4() otherwise, all lower priority tasks would not be allowed to run!

Finally, the code for TaskClk() is shown in Listing 1.12. This task executes every second and simply obtains the current date and time from a PC service called PC_GetDateTime() (see *Chapter 18, PC Services*) and displays it on the screen.

```
void TaskClk (void *data)
{
    char s[40];

    data = data;
    for (;;) {
        PC_GetDateTime(s);
        PC_Dispatch(60, 23, s, DISP_FGND_BLUE + DISP_BGND_CYAN);
        OSTimeDly(OS_TICKS_PER_SEC);
    }
}
```

Listing - Listing 1.12 Example #2, TEST.C, TaskClk()

If you have the Borland C/C++ V4.5x compiler installed in the c:\BC45 directory, you can experiment with TEST.C. After modifying TEST.C, you can type MAKETEST from the command line prompt of the TEST directory which builds a new TEST.EXE. If you don't have the Borland C/C++ V4.5x or your have it installed in a different directory, you can make changes to TEST.MAK, INCLUDES.H and TEST.LNK accordingly.

The SOURCE directory contains four files: INCLUDES.H, OS_CFG.H, TEST.C and TEST.LNK. OS_CFG.H is used to determine µC/OS-II configuration options. TEST.LNK is the linker command file for the Borland linker, TLINK.

Example 3: Extending Functionality with TCB

Example #3 shows how you can extend the functionality of µC/OS-II. Specifically, Example #3 uses the TCB (Task Control Block) extension capability of `OSTaskCreateExt()`, the user-defined context switch hook [`OSTaskSwHook()`], the user-defined statistic task hook [`OSTaskStatHook()`], and message queues. In this example you will see how easy it is to determine how many times a task executes, and how much time a task takes to execute. The execution time can be used to determine the CPU usage of a task relative to the other tasks.

The code for Example #3 is found in the `\SOFTWARE\uCOS-II\EX3_x86L\BC45` directory. You can open a DOS window and type:

```
CD \SOFTWARE\uCOS-II\EX3_x86L\BC45\TEST
```

As usual, to execute example #3, simply type `TEST` at the command line prompt. The DOS window will run the `TEST.EXE` program.

After about one second, you should see the screen shown in Figure 1.5. I let `TEST.EXE` run for a couple of seconds before I captured the screen shot. Seven tasks are shown along with how many times they executed (*Counter* column), the execution time of each task in microseconds (*Exec.Time(uS)* column), the total execution time since I started (*Tot.Exec.Time(uS)* column) and finally, the percentage of execution time of each task relative to the other tasks (*%Tot. column*).

Example #3 consists of 9 tasks as displayed in the lower left of Figure 1.5. Of those 9 tasks, µC/OS-II creates two internal tasks: the idle task and a task that determines CPU usage. Example #3 creates the other 7 tasks.

```
Command Prompt - test
uC/OS-II, The Real-Time Kernel
Jean J. Labrosse

EXAMPLE #3

Task Name      Counter  Exec.Time(uS)  Tot.Exec.Time(uS)  %Tot.
-----
StartTask      00006    72             739                 41 %
Clock Task     00006    89             483                 27 %
MsgQ Rx Task   00025    12             247                 13 %
MsgQ Tx Task #2 00012    5              69                  3 %
MsgQ Tx Task #3 00006    7              45                  2 %
MsgQ Tx Task #4 00006    8              43                  2 %
TimeDlyTask    00030    6              156                 8 %

#Tasks      : 9   CPU Usage: 0 %
#Task switch/sec: 41

80387 FPU
2002-01-28 20:38:42
V2.52

<-PRESS 'ESC' TO QUIT->
```

Figure - Figure 1.5 Example #3 running in a DOS window.

Portions of TEST.C are shown in Listing 1.13. You can examine the actual code using your favorite code editor.


```
#include "includes.h"

#define TASK_STK_SIZE 512

#define TASK_START_ID 0
#define TASK_CLK_ID 1
#define TASK_1_ID 2
#define TASK_2_ID 3
#define TASK_3_ID 4
#define TASK_4_ID 5
#define TASK_5_ID 6

#define TASK_START_PRIO 10
#define TASK_CLK_PRIO 11
#define TASK_1_PRIO 12
#define TASK_2_PRIO 13
#define TASK_3_PRIO 14
#define TASK_4_PRIO 15
#define TASK_5_PRIO 16

#define MSG_QUEUE_SIZE 20

typedef struct {
    char TaskName[30];
    INT16U TaskCtr;
    INT16U TaskExecTime;
    INT32U TaskTotExecTime;
} TASK_USER_DATA;

OS_STK TaskStartStk[TASK_STK_SIZE];
OS_STK TaskClkStk[TASK_STK_SIZE];
OS_STK Task1Stk[TASK_STK_SIZE];
OS_STK Task2Stk[TASK_STK_SIZE];
OS_STK Task3Stk[TASK_STK_SIZE];
OS_STK Task4Stk[TASK_STK_SIZE];
OS_STK Task5Stk[TASK_STK_SIZE];

TASK_USER_DATA TaskUserData[7];

OS_EVENT *MsgQueue;
void *MsgQueueTbl[20];
```

Listing - Listing 1.13 Example #3, TEST.C

- (1) A data structure is created to hold additional information about a task. Specifically, the data structure allows you to add a name to a task (µC/OS-II doesn't directly provide this feature), keep track of how many times a task has executed, how long a task takes to execute and finally, the total time a task has executed.
- (2) An array of the TASK_USER_DATA is allocated to hold information about each task created (except the idle and statistic task).
- (3) µC/OS-II provides another message passing mechanism called a *message queue*. A message queue is like a mailbox except that instead of being able to send a single

pointer, a queue can hold more than one message (i.e. pointers). A message queue thus allows your tasks or ISRs to send messages to other tasks. What each of the pointers point to is application specific and of course, both the sender and the receiver need to agree about the contents of the messages. Two elements are needed to create a message queue: an OS_EVENT structure and an array of pointers. The depth of the queue is determined by the number of pointers allocated in the pointer array. In this case, the message queue contains 20 entries.

main() is shown in Listing 1.14. Once more, only the new features will be described.

```
void main (void)
{
    PC_DispClrScr(DISP_BGND_BLACK);

    OSInit();

    PC_DOSSaveReturn();

    PC_VectSet(uCOS, OSCtxSw);

    PC_ElapsedInit();

    strcpy(TaskUserData[TASK_START_ID].TaskName, "StartTask");      (1)
    OSTaskCreateExt(TaskStart,
                    (void *)0,
                    &TaskStartStk[TASK_STK_SIZE - 1],
                    TASK_START_PRIO,
                    TASK_START_ID,
                    &TaskStartStk[0],
                    TASK_STK_SIZE,
                    &TaskUserData[TASK_START_ID],                  (2)
                    0);

    OSStart();
}
```

Listing - Listing 1.14 Example #3, TEST.C, main()

- (1) Before a task is created, we assign a name to the task using the ANSI C library function strcpy(). The name is stored in the data structure (see L1.13(1)) assigned to the task.
- (2) TaskStart() is created using OSTaskCreateExt() and passed a pointer to its user data structure. The Task Control Block (TCB) of each task in µC/OS-II can store a pointer to a user provided data structure (see *Chapter 3, Kernel Structure* for details). This allows you to extend the functionality of µC/OS-II as you will see shortly.

The code for TaskStart() is shown in Listing 1.15.

```
void TaskStart (void *pdata)
{
  #if OS_CRITICAL_METHOD == 3
    OS_CPU_SR  cpu_sr;
  #endif
  INT16S      key;

  pdata = pdata;

  TaskStartDispInit();

  OS_ENTER_CRITICAL();
  PC_VectSet(0x08, OSTickISR);
  PC_SetTickRate(OS_TICKS_PER_SEC);
  OS_EXIT_CRITICAL();

  OSStatInit();

  MsgQueue = OSQCreate(&MsgQueueTbl[0], MSG_QUEUE_SIZE);      (1)

  TaskStartCreateTasks();                                       (2)

  for (;;) {
    TaskStartDisp();

    if (PC_GetKey(&key)) {
      if (key == 0x1B) {
        PC_DOSReturn();
      }
    }

    OSCtxSwCtr = 0;
    OSTimeDly(OS_TICKS_PER_SEC);
  }
}
```

Listing - Listing 1.15 Example #3, TEST.C, TaskStart()

- (1) Not much has been added except the creation of the message queue that will be used by Task1(), Task2(), Task3() and Task4().
- (2) Like with Example #2, TaskStartCreateTasks() create 6 tasks. The difference is that each task is assigned an entry in the TaskUserData[] array. As each task is created, it's assigned a name just like I did when I created TaskStart() (see L1.14(1)).

As soon as TaskStart() calls OSTimeDly(OS_TICKS_PER_SEC), µC/OS-II will locate the next highest priority task that's ready to run. This will be Task1(). Listing 1.16 shows the code for Task1(), Task2(), Task3() and Task4() because I will discuss them next.

```
void Task1 (void *pdata)
{
    char *msg;
    INT8U err;

    pdata = pdata;
    for (;;) {
        msg = (char *)OSQPend(MsgQueue, 0, &err);           (1)
        PC_DispStr(70, 13, msg, DISP_FGND_YELLOW + DISP_BGND_BLUE); (2)
        OSTimeDlyHMSM(0, 0, 0, 100);                       (3)
    }
}

void Task2 (void *pdata)
{
    char msg[20];

    pdata = pdata;
    strcpy(&msg[0], "Task 2");
    for (;;) {
        OSQPost(MsgQueue, (void *)&msg[0]);               (4)
        OSTimeDlyHMSM(0, 0, 0, 500);                       (5)
    }
}

void Task3 (void *pdata)
{
    char msg[20];

    pdata = pdata;
    strcpy(&msg[0], "Task 3");
    for (;;) {
        OSQPost(MsgQueue, (void *)&msg[0]);               (6)
        OSTimeDlyHMSM(0, 0, 0, 500);
    }
}

void Task4 (void *pdata)
{
    char msg[20];

    pdata = pdata;
    strcpy(&msg[0], "Task 4");
    for (;;) {
        OSQPost(MsgQueue, (void *)&msg[0]);               (7)
        OSTimeDlyHMSM(0, 0, 0, 500);
    }
}
```

Listing - Listing 1.16 Example #3, TEST.C, Task1() through Task4().

- (1) Task1() waits forever for a message to arrive through a message queue.
- (2) When a message arrives, it is displayed on the screen.

- (3) The task is delayed for 100 ms to allow you to see the message received.
- (4) Task2() sends the message "Task 2" to Task1() through the message queue.
- (5) Task2() waits for half a second before sending another message.
- (6) & (7) Task3() and Task4() sends their message and also waits half a second between messages.

Another task, Task5() (not shown) does nothing useful except delay itself for 1/10 of a second. Note that all µC/OS-II tasks must call a service provided by µC/OS-II to either wait for time to expire or for an event to occur. If this is not done, the task prevents all lower priority tasks from running.

Finally, TaskClk() (also not shown) displays the current date and time once a second.

Events happen behind the scenes that are not apparent just by looking at the tasks in TEST.C. µC/OS-II is provided in source form and it's quite easy to add functionality to µC/OS-II through special functions called *hooks*. As of V2.52, there are 9 hook functions and the prototype for these functions are shown in Listing 1.17.

```
void OSInitHookBegin(void);
void OSInitHookEnd(void);
void OSTaskCreateHook(OS_TCB *ptcb);
void OSTaskDelHook(OS_TCB *ptcb);
void OSTaskIdleHook(void);
void OSTaskStatHook(void);
void OSTaskSwHook(void);
void OSTCBInitHook(OS_TCB *ptcb);
void OSTimeTickHook(void);
```

Listing - Listing 1.17 µC/OS-II's hooks.

The hook functions are normally found in a file called OS_CPU_C.C, and are generally written by the person who does the port for the processor you intend to use. However, if you set a configuration constant called OS_CPU_HOOKS_EN to 0, you can declare the hook functions in a different file. OS_CPU_HOOKS_EN is one of many configuration constant found in the header file

OS_CFG.H. Every project that uses µC/OS-II needs its own version of OS_CFG.H because you may want to configure µC/OS-II differently for each project. Each example provided in this book contains its own OS_CFG.H in the SOURCE directory.

In example #3, I set OS_CPU_HOOKS_EN to 0 and redefined the functionality of the hook functions in TEST.C. As shown in Listing 1.18, seven of the nine hooks don't actually do anything and thus, don't contain any code.

```
void OSInitHookBegin (void)
{
}

void OSInitHookEnd (void)
{
}

void OSTaskCreateHook (OS_TCB *ptcb)
{
    ptcb = ptcb;
}

void OSTaskDelHook (OS_TCB *ptcb)
{
    ptcb = ptcb;
}

void OSTaskIdleHook (void)
{
}

void OSTCBInitHook (OS_TCB *ptcb)
{
    ptcb = ptcb;
}

void OSTimeTickHook (void)
{
}
```

Listing - Listing 1.18 Example #3, TEST.C, empty hook functions.

The code for OSTaskSwHook() is shown in Listing 1.19 and allows us to measure the execution time of each task, keeps track of how often each task executes, and accumulate total execution times of each task. OSTaskSwHook() is called when µC/OS-II switches from a low priority task to a higher priority task.

```
void OSTaskSwHook (void)
{
    INT16U          time;
    TASK_USER_DATA *puser;

    time = PC_ElapsedStop();           (1)
    PC_ElapsedStart();                 (2)
    puser = OSTCBCur->OSTCBEExtPtr;    (3)
    if (puser != (TASK_USER_DATA *)0) { (4)
        puser->TaskCtr++;              (5)
        puser->TaskExecTime = time;    (6)
        puser->TaskTotExecTime += time; (7)
    }
}
```

Listing - Listing 1.19 The task switch hook, OSTaskSwHook().

- (1) A timer on the PC obtains the execution time of the task being 'switched out' through PC_ElapsedStop().
- (2) It is assumed that the timer was started by calling PC_ElapsedStart() when the task was 'switched in'. The first context switch will probably read an incorrect value, but this is not really critical.
- (3) When OSTaskSwHook() is called, the global pointer OSTCBCur points to the TCB of the current task while OSTCBHighRdy points to the TCB of the new task. In this case, however, we don't use OSTCBHighRdy. OSTaskSwHook() retrieves the pointer to the TCB extension that was passed in OSTaskCreateExt().
- (4) We then check to make sure we don't dereference a NULL pointer. In fact, some of the tasks in this example do not contain a TCB extension pointer: the idle task and the statistic task.
- (5) We increment a counter that indicates how many times the task has executed. This counter is useful to determine if a particular task is running.
- (6) The measured execution time (in microseconds) is stored in the TCB extension.
- (7) The total execution time (in microseconds) of the task is also stored in the TCB extension. This allows you to determine the percent of time each task takes with respect to other tasks in an application (will be discussed shortly).

When enabled (see `OS_TASK_STAT_EN` in `OS_CFG.H`), the statistic task, `OSTaskStat()` calls the user-definable function `OSTaskStatHook()` that is shown in Listing 1.20. `OSTaskStatHook()` is called every second.

```
void OSTaskStatHook (void)
{
    char    s[80];
    INT8U   i;
    INT32U  total;
    INT8U   pct;

    total = 0L;
    for (i = 0; i < 7; i++) {
        total += TaskUserData[i].TaskTotExecTime;           (1)
        DispTaskStat(i);                                   (2)
    }
    if (total > 0) {
        for (i = 0; i < 7; i++) {
            pct = 100 * TaskUserData[i].TaskTotExecTime / total;   (3)
            sprintf(s, "%3d %%", pct);
            PC_DisPStr(62,                                         (4)
                      i + 11,
                      s,
                      DISP_FGND_BLACK + DISP_BGND_LIGHT_GRAY);
        }
    }
    if (total > 1000000000L) {
        for (i = 0; i < 7; i++) {
            TaskUserData[i].TaskTotExecTime = 0L;
        }
    }
}
```

Listing - Listing 1.20 The statistic task hook, `OSTaskStatHook()`.

- (1) The total execution time of all the tasks (except the statistic task) is computed.
- (2) Individual statistics are displayed at the proper location on the screen by `DispTaskStat()`, which takes care of converting the values into ASCII. In addition, `DispTaskStat()` also displays the name of each task.
- (3) & (4) The percent execution time is computed for each task and displayed.

If you have the Borland C/C++ V4.5x compiler installed in the `c:\bc45` directory, you can experiment with `TEST.C`. After modifying `TEST.C`, you can type `MAKETEST` from the command line prompt of the `TEST` directory which builds a new `TEST.EXE`. If you don't have

the Borland C/C++ V4.5x or you have it installed in a different directory, you can make changes to TEST.MAK, INCLUDES.H and TEST.LNK accordingly.

The SOURCE directory contains four files: INCLUDES.H, OS_CFG.H, TEST.C and TEST.LNK. OS_CFG.H is used to determine µC/OS-II configuration options. TEST.LNK is the linker command file for the Borland linker, TLINK.

Example 4: Ports

µC/OS-II is written entirely in C and requires some processor specific code to adapt it to different processors. This processor specific code is called a *port*. This book comes with two ports for the Intel 80x86 family of processors: Ix86L (see Chapter 14) and Ix86L-FP (see Chapter 15). Ix86L is used with 80x86 processors that are not fortunate enough to have an FPU (floating-point unit) and Ix86L was used in all the examples so far. You should note that Ix86L still runs on 80x86 processors that do have an FPU. Ix86L-FP allows your applications to make use of the floating-point hardware capabilities of higher-end 80x86 compatible processors. Example #4 uses Ix86L-FP.

In this example, I created 10 identical tasks each running 200 times per second. Each task computes the sine and cosine of an angle (in degrees). The angle being computed by each task is offset by 36 degrees (360 degrees divided by 10 tasks) from each other. Every time the task executes, it increments the angle to compute by 0.01 degree.

The code for Example #4 is found in the \SOFTWARE\µCOS-II\EX4_x86L\BC45 directory. You can open a DOS window and type:

```
CD \SOFTWARE\µCOS-II\EX4_x86L\BC45\TEST
```

As usual, to execute example #4, simply type TEST at the command line prompt. The DOS window will run the TEST.EXE program.

After about two seconds, you should see the screen shown in Figure 1.6. I let TEST.EXE run for a few seconds before I captured the screen shot.

Example #4 consists of 13 tasks as displayed in the lower left of Figure 1.6. Of those 13 tasks, µC/OS-II creates two internal tasks: the idle task and a task that determines CPU usage. Example #4 creates the other 11 tasks.

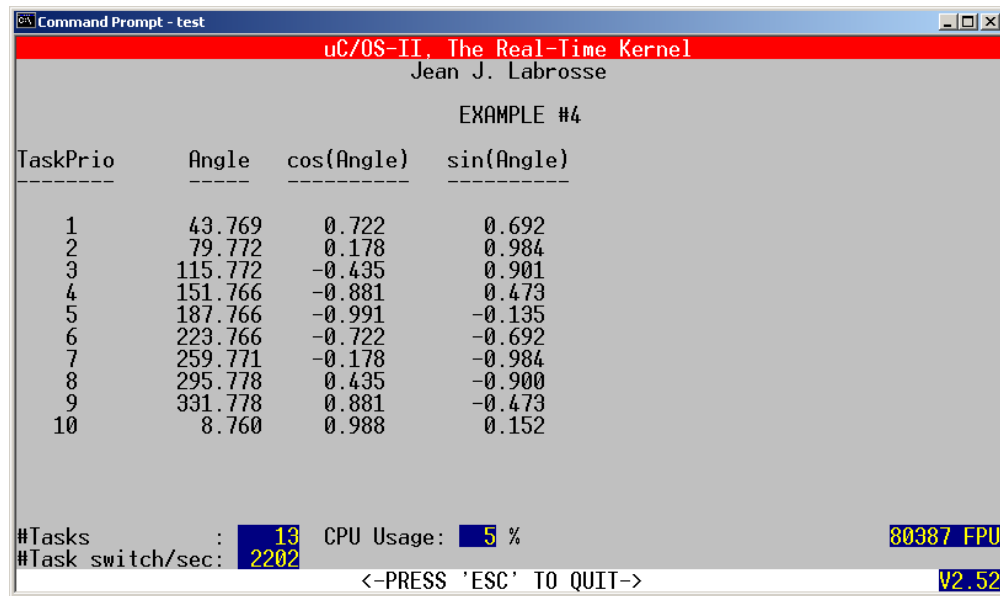


Figure - Figure 1.6 Example #4 running in a DOS window.

By now, you should be able to find your way around TEST.C. Example #4 doesn't introduce too many new concepts. However, there are a few subtleties done behind the scene which I'll describe after discussing a few items in TEST.C. Listing 1.21 shows the code to create the 10 identical applications tasks.

```

static void TaskStartCreateTasks (void)
{
    INT8U i;
    INT8U prio;

    for (i = 0; i < N_TASKS; i++) {
        prio = i + 1;           (1)
        TaskData[i] = prio;    (2)
        OSTaskCreateExt(Task,
                        (void *)&TaskData[i],
                        &TaskStk[i][TASK_STK_SIZE - 1],
                        prio,
                        0,
                        &TaskStk[i][0],
                        TASK_STK_SIZE,
                        (void *)0,
                        OS_TASK_OPT_SAVE_FP);
    }
}
    
```

Listing - Listing 1.21 Example #4, TEST.C, TaskStartCreateTasks().

- (1) Because µC/OS-II doesn't allow multiple tasks at the same priority, I offset the priority

of the identical tasks by 1 since task priority #0 is assigned to TaskStart().

- (2) The task priority of each task is placed in an array.
- (3) µC/OS-II allows you to pass an argument to a task when the task is first started. This argument is a pointer, and I generally call it pdata (pointer to data). The task priority saved in the array is actually passed as the task argument, pdata.
- (4) Each of the tasks will be doing floating point calculations and we want to tell the port (see Chapter 15) to save the floating-point registers during a context switch.

Listing 1.22 shows the actual task code.

```
void Task (void *pdata)
{
    FP32  x;
    FP32  y;
    FP32  angle;
    FP32  radians;
    char  s[81];
    INT8U ypos;

    ypos = *(INT8U *)pdata + 7;
    angle = (FP32)(*(INT8U *)pdata) * (FP32)36.0;           (1)
    for (;;) {
        radians = (FP32)2.0 * (FP32)3.141592 * angle / (FP32)360.0;   (2)
        x       = cos(radians);
        y       = sin(radians);
        sprintf(s, " %2d      %8.3f %8.3f      %8.3f",
                *(INT8U *)pdata, angle, x, y);
        PC_DisPStr(0, ypos, s, DISP_FGND_BLACK + DISP_BGND_LIGHT_GRAY);
        if (angle >= (FP32)360.0) {
            angle = (FP32)0.0;
        } else {
            angle += (FP32)0.01;
        }
        OSTimeDly(1);           (3)
    }
}
```

Listing - Listing 1.22 Example #4, TEST.C, Task().

- (1) The argument pdata points to an 8-bit integer containing the task priority. To make each task calculate different angles (not that it really matters), I decided to offset each task by 36 degrees.

- (2) `sin()` and `cos()` assumes radians instead of degrees and thus the conversion.
- (3) Each task is delayed by 1 clock tick (i.e. 50 milliseconds) and thus, each task will execute 200 times per second.

Except for specifying `OS_TASK_OPT_SAVE_FP` in `TaskStartCreateTasks()`, you could not tell that from `TEST.C` that we are using a different port from the other examples. In fact, it may be a good idea to always specify the option `OS_TASK_OPT_SAVE_FP` when you create a task (using `OSTaskCreateExt()`) and, if the port supports floating-point hardware, µC/OS-II will take the necessary steps to save and retrieve the floating-point registers during a context switch. That's in fact one of the beauties of µC/OS-II: portability of your applications across different processors.

In order to use a different port (at least for the 80x86), you only need to change the following files:

`INCLUDES.H` (in the `SOURCE` directory):

Instead of including:

```
\software\ucos-ii\ix861\bc45\os_cpu.h
```

you simply need to 'point' to a different directory:

```
\software\ucos-ii\ix861-fp\bc45\os_cpu.h
```

`TEST.LNK` (in the `SOURCE` directory):

The linker command file includes the floating-point emulation library in the non-floating-point version:

```
C:\BC45\LIB\EMU.LIB
```

and the hardware floating-point library needs to be referenced for the code that makes use of the FPU:

C:\BC45\LIB\FP87.LIB

TEST.MAK (in the TEST directory):

The directory of the port is changed from:

PORT=\SOFTWARE\uCOS-II\Ix86L\BC45

to:

PORT=\SOFTWARE\uCOS-II\Ix86L-FP\BC45

The compiler flags in the macro C_FLAGS includes `-f287` for the floating-point version of the code, and omits it in the non-floating-point version.

Real-Time Systems Concepts

Real-time systems are characterized by the severe consequences that result if logical as well as timing correctness properties of the system are not met. There are two types of real-time systems: SOFT and HARD. In a SOFT real-time system, tasks are performed by the system as fast as possible, but the tasks don't have to finish by specific times. In HARD real-time systems, tasks have to be performed not only correctly but on time. Most real-time systems have a combination of SOFT and HARD requirements. Real-time applications cover a wide range, but most real-time systems are embedded. This means that the computer is built into a system and is not seen by the user as being a computer. The following list shows a few examples of embedded systems.

Process Control Food processing Chemical plants	Communication Switches Routers
Automotive Engine controls Anti-lock braking systems	Robots
Office Automation FAX machines Copiers	Aerospace Flight management systems Weapons systems Jet engine controls
Computer Peripherals Printers Terminals Scanners Modems	Domestic Microwave ovens Dishwashers Washing machines Thermostats

Real-time software applications are typically more difficult to design than non-real-time applications. This chapter describes real-time concepts.

Foreground/Background Systems

Small systems of low complexity are generally designed as shown in Figure 2.1. These systems are called foreground/background or super-loops. An application consists of an infinite loop that calls modules (i.e., functions) to perform the desired operations (background). Interrupt Service Routines (ISRs) handle asynchronous events (foreground). Foreground is also called interrupt level; background is called task level. Critical operations must be performed by the ISRs to ensure that they are dealt with in a timely fashion. Because of this, ISRs have a tendency to take longer than they should. Also, information for a background module made available by an ISR is not processed until the background routine gets its turn to execute. This is called the task level response. The worst case task-level response time depends on how long the background loop takes to execute. Because the execution time of typical code is not constant, the time for successive passes through a portion of the loop is non-deterministic. Furthermore, if a code change is made, the timing of the loop is affected.

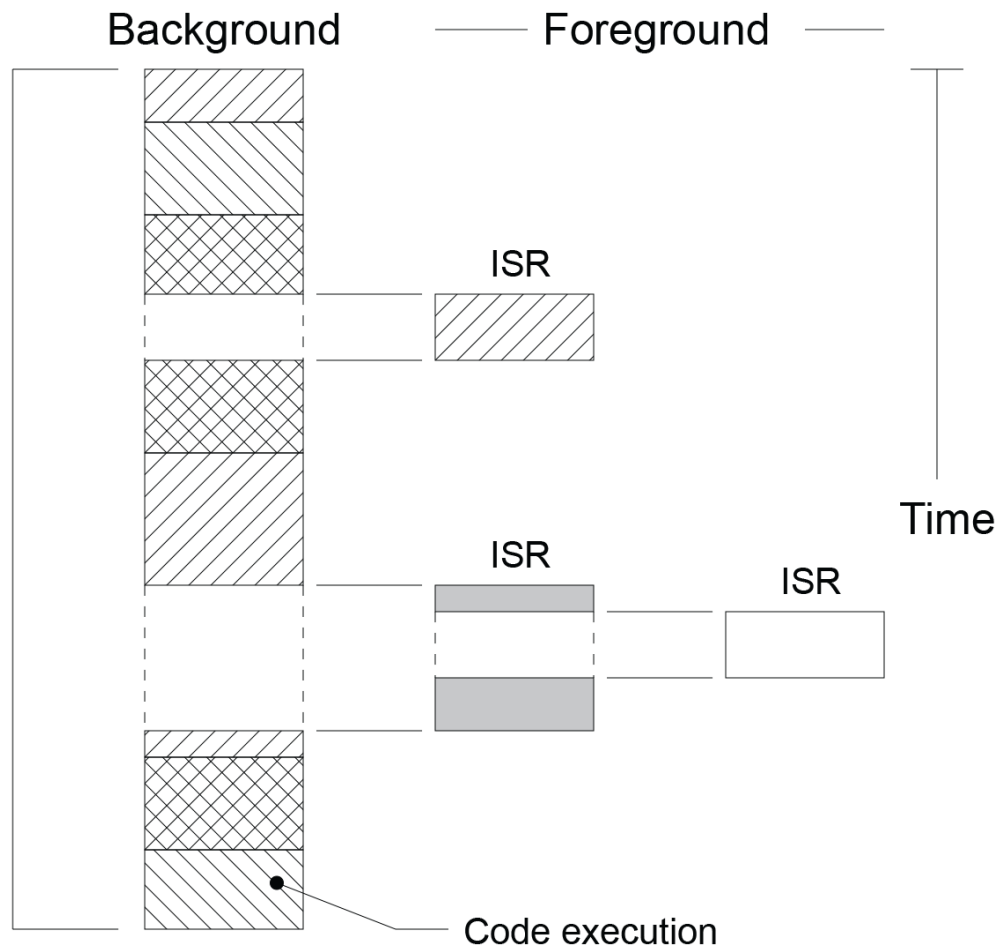


Figure - Figure 2.1 Foreground/background systems.

Most high-volume microcontroller-based applications (e.g., microwave ovens, telephones, toys, and so on) are designed as foreground/background systems. Also, in microcontroller-based applications, it may be better (from a power consumption point of view) to halt the processor and perform all of the processing in ISRs. However, you can also halt the processor when µC/OS-II does not have any tasks to execute.

Critical Section of Code

A critical section of code, also called a critical region, is code that needs to be treated indivisibly. Once the section of code starts executing, it must not be interrupted. To ensure this, interrupts are typically disabled before the critical code is executed and enabled when the critical code is finished (see also section 2.03, Shared Resource).

Resource

A resource is any entity used by a task. A resource can thus be an I/O device, such as a printer, a keyboard, or a display, or a variable, a structure, or an array.

Shared Resource

A shared resource is a resource that can be used by more than one task. Each task should gain exclusive access to the shared resource to prevent data corruption. This is called mutual exclusion, and techniques to ensure mutual exclusion are discussed in section 2.18, Mutual Exclusion.

Multitasking

Multitasking is the process of scheduling and switching the CPU (Central Processing Unit) between several tasks; a single CPU switches its attention between several sequential tasks. Multitasking is like foreground/background with multiple backgrounds. Multitasking maximizes the utilization of the CPU and also provides for modular construction of applications. One of the most important aspects of multitasking is that it allows the application programmer to manage complexity inherent in real-time applications. Application programs are typically easier to design and maintain if multitasking is used.

Task

A task, also called a thread, is a simple program that thinks it has the CPU all to itself. The design process for a real-time application involves splitting the work to be done into tasks responsible for a portion of the problem. Each task is assigned a priority, its own set of CPU registers, and its own stack area (as shown in Figure 2.2).

Each task typically is an infinite loop that can be in any one of five states: DORMANT, READY, RUNNING, WAITING (for an event), or ISR (interrupted) (Figure 2.3). The DORMANT state corresponds to a task that resides in memory but has not been made available to the multitasking kernel. A task is READY when it can execute but its priority is less than the currently running task. A task is RUNNING when it has control of the CPU. A task is WAITING when it requires the occurrence of an event (waiting for an I/O operation to complete, a shared resource to be available, a timing pulse to occur, time to expire, etc.). Finally, a task is in the ISR state when an interrupt has occurred and the CPU is in the process

of servicing the interrupt. Figure 2.3 also shows the functions provided by μC/OS-II to make a task move from one state to another.

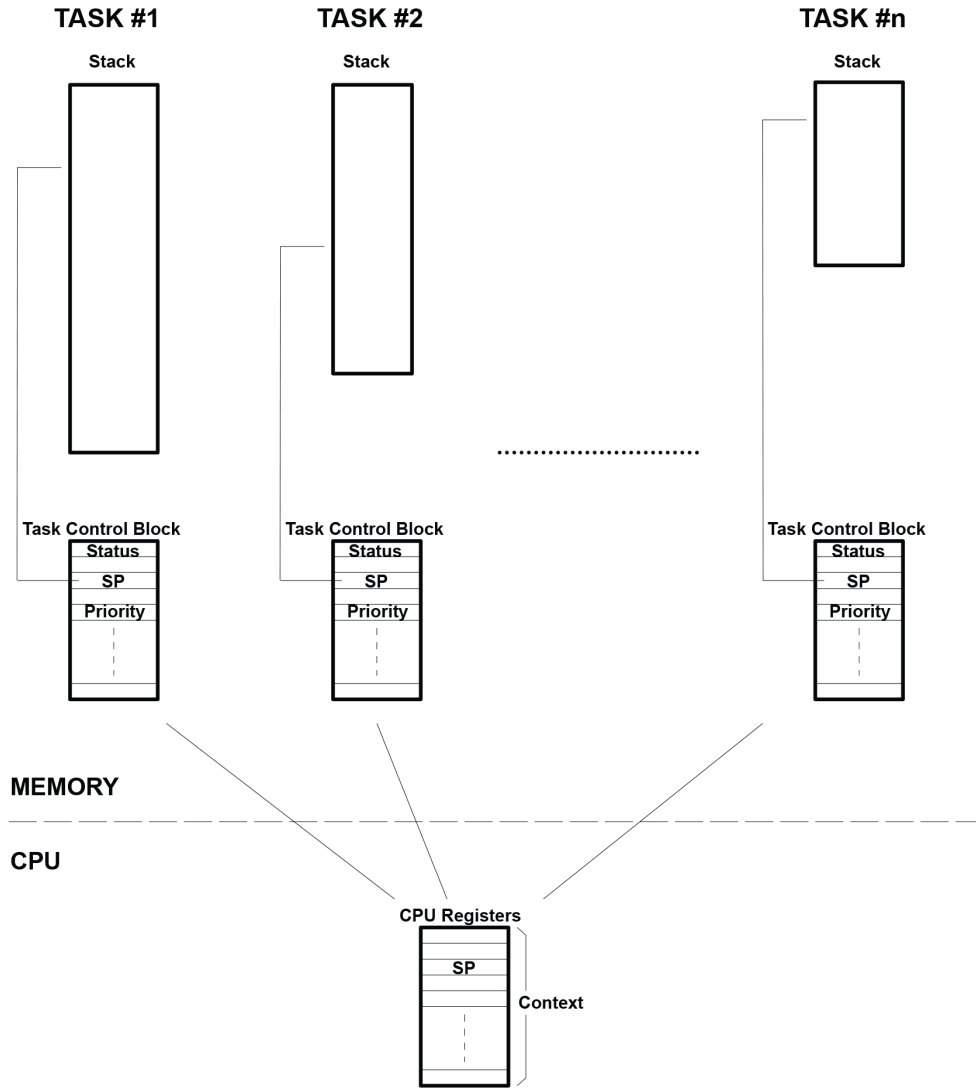


Figure - Figure 2.2 Multiple tasks

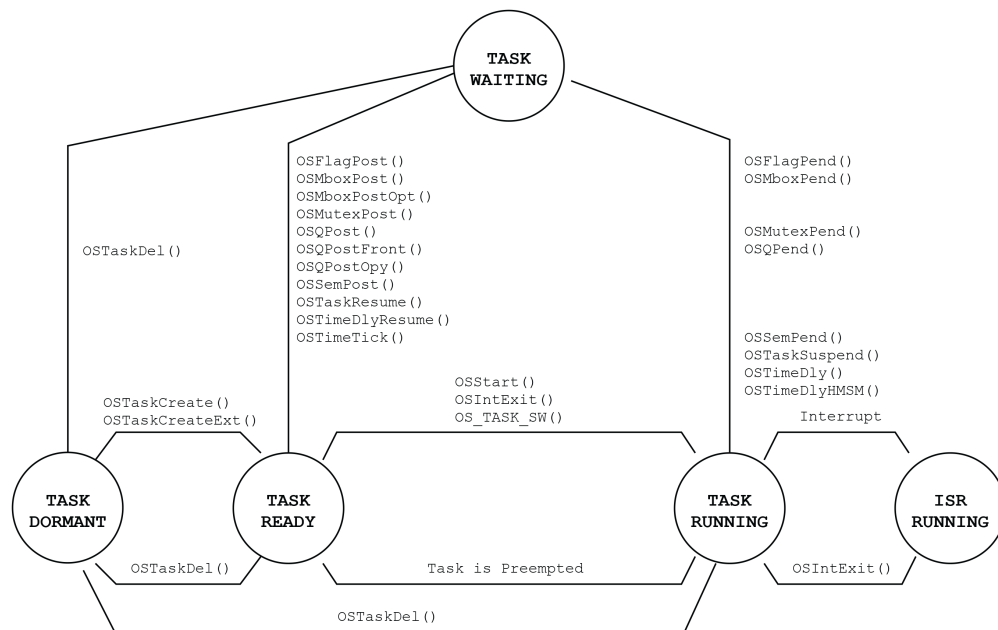


Figure - Figure 2.3 Task states

Context Switch (or Task Switch)

When a multitasking kernel decides to run a different task, it simply saves the current task’s context (CPU registers) in the current task’s context storage area — its stack (Figure 2.2). Once this operation is performed, the new task’s context is restored from its storage area then resumes execution of the new task’s code. This process is called a context switch or a task switch. Context switching adds overhead to the application. The more registers a CPU has, the higher the overhead. The time required to perform a context switch is determined by how many registers have to be saved and restored by the CPU. Performance of a real-time kernel should not be judged by how many context switches the kernel is capable of doing per second.

Kernel

The kernel is the part of a multitasking system responsible for the management of tasks (i.e., for managing the CPU’s time) and communication between tasks. The fundamental service provided by the kernel is context switching. The use of a real-time kernel generally simplifies the design of systems by allowing the application to be divided into multiple tasks managed by the kernel.

A kernel adds overhead to your system because the services provided by the kernel require execution time. The amount of overhead depends on how often you invoke these services. In a

well designed application, a kernel will use up between 2 and 5% of CPU time. Because a kernel is software that gets added to your application, it requires extra ROM (code space) and additional RAM for the kernel data structures and, each task requires its own stack space, which has a tendency to eat up RAM quickly.

Single-chip microcontrollers are generally not able to run a real-time kernel because they have very little RAM. A kernel allows you to make better use of your CPU by providing you with indispensable services such as semaphore management, mailboxes, queues, time delays, etc. Once you design a system using a real-time kernel, you will not want to go back to a foreground/background system.

Scheduler

The scheduler, also called the dispatcher, is the part of the kernel responsible for determining which task will run next. Most real-time kernels are priority based. Each task is assigned a priority based on its importance. The priority for each task is application specific. In a priority-based kernel, control of the CPU is always given to the highest priority task ready to run. When the highest priority task gets the CPU, however, is determined by the type of kernel used. There are two types of priority-based kernels: non-preemptive and preemptive.

Non-Preemptive Kernel

Non-preemptive kernels require that each task does something to explicitly give up control of the CPU. To maintain the illusion of concurrency, this process must be done frequently. Non-preemptive scheduling is also called cooperative multitasking; tasks cooperate with each other to share the CPU. Asynchronous events are still handled by ISRs. An ISR can make a higher priority task ready to run, but the ISR always returns to the interrupted task. The new higher priority task will gain control of the CPU only when the current task gives up the CPU.

One of the advantages of a non-preemptive kernel is that interrupt latency is typically low (see the later discussion on interrupts). At the task level, non-preemptive kernels can also use non-reentrant functions (discussed later). Non-reentrant functions can be used by each task without fear of corruption by another task. This is because each task can run to completion before it relinquishes the CPU. However, non-reentrant functions should not be allowed to give up control of the CPU.

Task-level response using a non-preemptive kernel can be much lower than with foreground/background systems because task-level response is now given by the time of the

longest task.

Another advantage of non-preemptive kernels is the lesser need to guard shared data through the use of semaphores. Each task owns the CPU, and you don't have to fear that a task will be preempted. This is not an absolute rule, and in some instances, semaphores should still be used. Shared I/O devices may still require the use of mutual exclusion semaphores; for example, a task might still need exclusive access to a printer.

The execution profile of a non-preemptive kernel is shown in Figure 2.4 and described below.

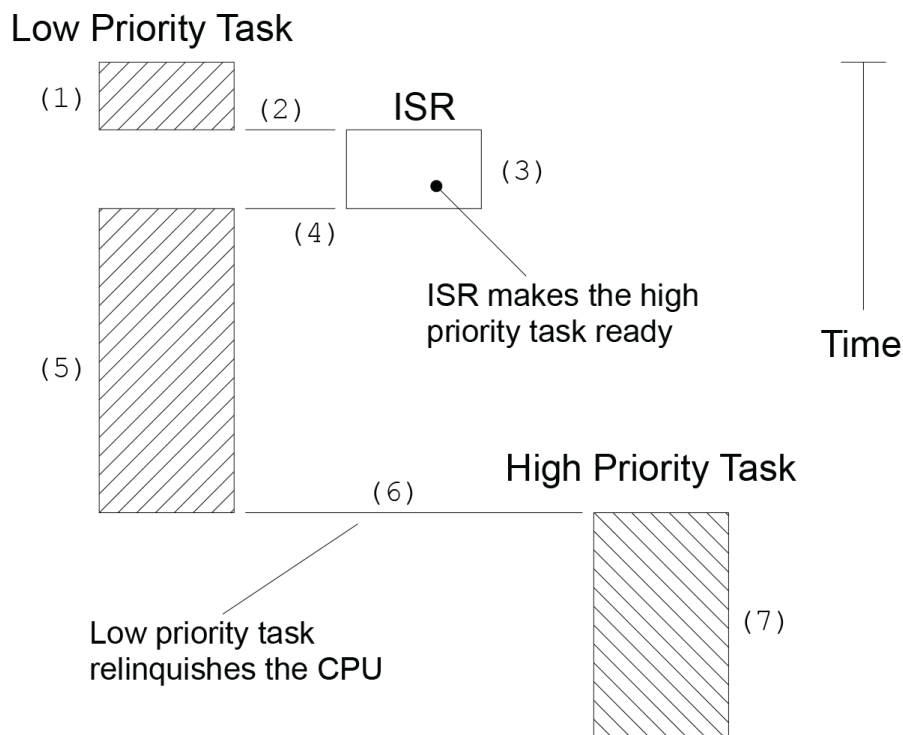


Figure - Figure 2.4 Non-preemptive kernel.

- (1) A task is executing but gets interrupted.
- (2) If interrupts are enabled, the CPU vectors (jumps) to the ISR.
- (3) The ISR handles the event and makes a higher priority task ready to run.
- (4) Upon completion of the ISR, a Return From Interrupt instruction is executed, and the

CPU returns to the interrupted task.

- (5) The task code resumes at the instruction following the interrupted instruction.
- (6) When the task code completes, it calls a service provided by the kernel to relinquish the CPU to another task.
- (7) The kernel sees that a higher priority task has been made ready-to-run (it doesn't necessarily know that it was from an ISR nor does it care) and thus, the kernel performs a context switch so that it can run (i.e. execute) the higher priority task to handle the event signaled by the ISR.

The most important drawback of a non-preemptive kernel is responsiveness. A higher priority task that has been made ready to run may have to wait a long time to run because the current task must give up the CPU when it is ready to do so. As with background execution in foreground/background systems, task-level response time in a non-preemptive kernel is non-deterministic; you never really know when the highest priority task will get control of the CPU. It is up to your application to relinquish control of the CPU.

To summarize, a non-preemptive kernel allows each task to run until it voluntarily gives up control of the CPU. An interrupt preempts a task. Upon completion of the ISR, the ISR returns to the interrupted task. Task-level response is much better than with a foreground/background system but is still non-deterministic. Very few commercial kernels are non-preemptive.

Preemptive Kernel

A preemptive kernel is used when system responsiveness is important. Because of this, μC/OS-II and most commercial real-time kernels are preemptive. The highest priority task ready to run is always given control of the CPU. When a task makes a higher priority task ready to run, the current task is preempted (suspended) and the higher priority task is immediately given control of the CPU. If an ISR makes a higher priority task ready, when the ISR completes, the interrupted task is suspended and the new higher priority task is resumed.

The execution profile of a preemptive kernel is shown in Figure 2.5 and described below.

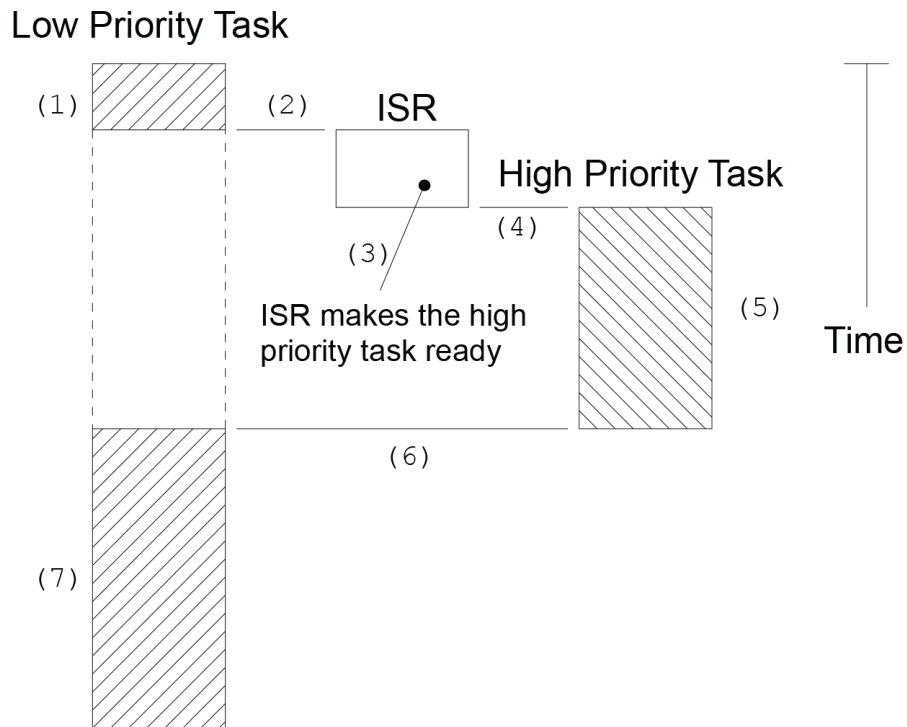


Figure - Figure 2.5 Preemptive kernel

- (1) A task is executing but gets interrupted.
- (2) If interrupts are enabled, the CPU vectors (jumps) to the ISR.
- (3) The ISR handles the event and makes a higher priority task ready to run. Upon completion of the ISR, a service provided by the kernel is invoked (i.e. a function provided by the kernel is called).
- (4) & (5) This function knows that a more important task has been made ready-to-run and thus, instead of returning back to the interrupted task, the kernel will perform a context switch and execute the code of the more important task. When the more important task is done, another function provided by the kernel is called to put the task to sleep waiting for the event (i.e. the ISR) to occur.
- (6) & (7) The kernel then 'sees' that a lower priority task needs to execute and another context switch is done to resume execution of the interrupted task.

With a preemptive kernel, execution of the highest priority task is deterministic; you can determine when it will get control of the CPU. Task-level response time is thus minimized by using a preemptive kernel.

Application code using a preemptive kernel should not use non-reentrant functions, unless exclusive access to these functions is ensured through the use of mutual exclusion semaphores, because both a low- and a high-priority task can use a common function. Corruption of data may occur if the higher priority task preempts a lower priority task that is using the function.

To summarize, a preemptive kernel always executes the highest priority task that is ready to run. An interrupt preempts a task. Upon completion of an ISR, the kernel resumes execution to the highest priority task ready to run (not the interrupted task). Task-level response is optimum and deterministic. µC/OS-II is a preemptive kernel.

Reentrancy

A reentrant function can be used by more than one task without fear of data corruption. A reentrant function can be interrupted at any time and resumed at a later time without loss of data. Reentrant functions either use local variables (i.e., CPU registers or variables on the stack) or protect data when global variables are used. An example of a reentrant function is shown in Listing 2.1.

```
void strcpy(char *dest, char *src)
{
    while (*dest++ = *src++) {
        ;
    }
    *dest = NUL;
}
```

Listing - Listing 2.1 Reentrant function.

Because copies of the arguments to `strcpy()` are placed on the task's stack, `strcpy()` can be invoked by multiple tasks without fear that the tasks will corrupt each other's pointers.

An example of a non-reentrant function is shown in Listing 2.2. `swap()` is a simple function that swaps the contents of its two arguments. For the sake of discussion, I assume that you are using a preemptive kernel, that interrupts are enabled, and that `Temp` is declared as a global integer:


```
int Temp;

void swap(int *x, int *y)
{
    Temp = *x;
    *x = *y;
    *y = Temp;
}
```

Listing - Listing 2.2 Non-reentrant function.

The programmer intended to make swap() usable by any task. Figure 2.6 shows what could happen if a low-priority task is interrupted while swap() is executing:

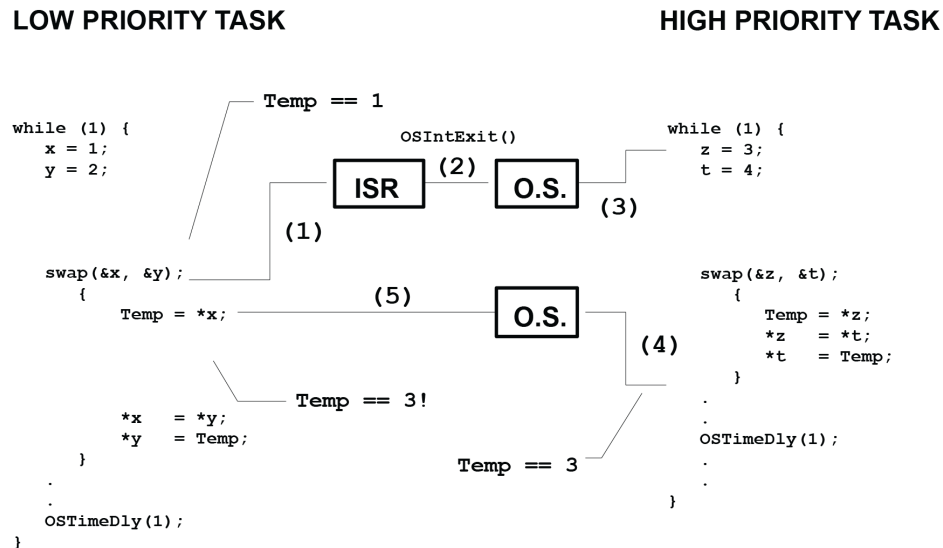


Figure - Figure 2.6 Non-reentrant function.

- (1) When swap() is interrupted Temp contains 1.
- (2) & (3) The ISR makes the higher priority task ready-to-run, so at the completion of the ISR, the kernel (assuming µC/OS-II) is invoked to switch to this task. The high-priority task sets Temp to 3 and swaps the contents of its variables correctly (i.e., z is 4 and t is 3).
- (4) The high-priority task eventually relinquishes control to the low-priority task by calling a kernel service to delay itself for one clock tick (described later).

- (5) The lower priority task is thus resumed. Note that at this point, Temp is still set to 3! When the low-priority task resumes execution, it sets y to 3 instead of 1.

Note that this a simple example, so it is obvious how to make the code reentrant. You can make `swap()` reentrant with one of the following techniques:

- Declare Temp local to `swap()`.
- Disable interrupts before the operation and enable them afterwards.
- Use a semaphore (described later).
- Other situations are not as easy to solve. An error caused by a non-reentrant function may not show up in your application during the testing phase; it will most likely occur once the product has been delivered! If you are new to multitasking, you will need to be careful when using non-reentrant functions.

If the interrupt occurs either before or after `swap()`, the x and y values for both tasks will be correct.

Round-Robin Scheduling

When two or more tasks have the same priority, the kernel allows one task to run for a predetermined amount of time, called a quantum, then selects another task. This is also called time slicing. The kernel gives control to the next task in line if

- the current task has no work to do during its time slice or
- the current task completes before the end of its time slice or
- the time slice ends.

μC/OS-II does not currently support round-robin scheduling. Each task must have a unique priority in your application.

Task Priority

A priority is assigned to each task. The more important the task, the higher the priority given to it. With most kernels, you are generally responsible for deciding what priority each task gets.

Static Priorities

Task priorities are said to be static when the priority of each task does not change during the application's execution. Each task is thus given a fixed priority at compile time. All the tasks and their timing constraints are known at compile time in a system where priorities are static.

Dynamic Priorities

Task priorities are said to be dynamic if the priority of tasks can be changed during the application's execution; each task can change its priority at run time. This is a desirable feature to have in a real-time kernel to avoid priority inversions.

Priority Inversions

Priority inversion is a problem in real-time systems and occurs mostly when you use a real-time kernel. Figure 2.7 illustrates a priority inversion scenario. Task 1 has a higher priority than Task 2, which in turn has a higher priority than Task 3.

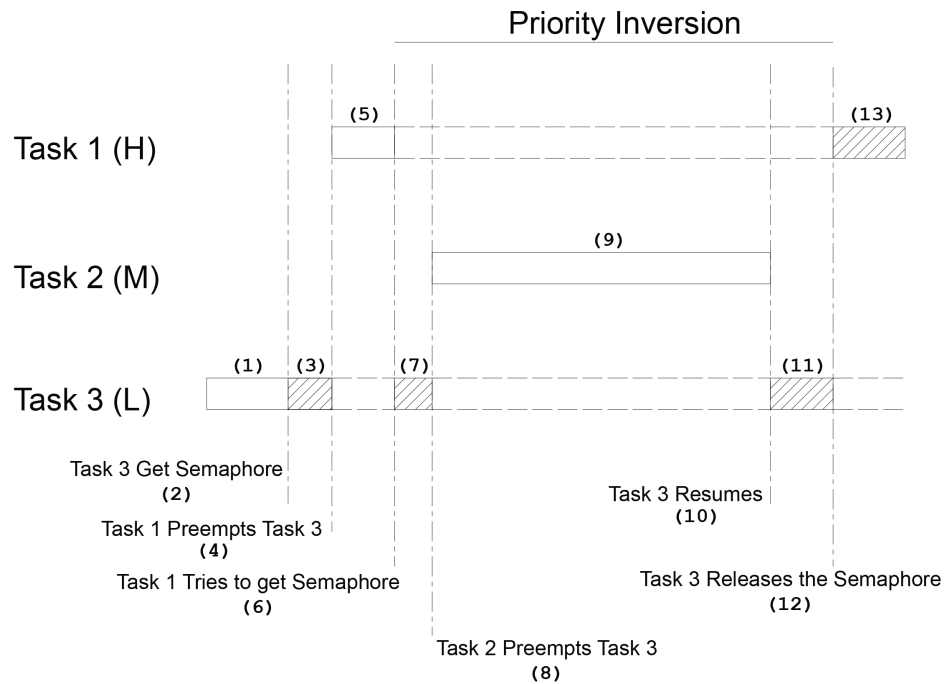


Figure - Figure 2.7 Priority inversion problem

- (1) Task 1 and Task 2 are both waiting for an event to occur and Task 3 is executing.
- (2) At some point, Task 3 acquires a semaphore (see section 2.18.04, Semaphores), which it needs before it can access a shared resource.
- (3) Task 3 performs some operations on the acquired resource.
- (4) The event that Task 1 was waiting for occurs and thus, the kernel suspends Task 3 and start executing Task 1 because Task 1 has a higher priority.
- (5)
- (6) Task 1 executes for a while until it also wants to access the resource (i.e. it attempts to get the semaphore that Task 3 owns). Because Task 3 owns the resource, Task 1 is placed in a list of tasks waiting for the semaphore to be freed.
- (7)

- (8) Task 3 is resumed and continues execution until it is preempted by Task 2 because the event that Task 2 was waiting for occurred.
- (9)
- (10) Task 2 handles the event it was waiting for and, when it's done, the kernel relinquishes the CPU back to Task 3.
- (11)
- (12) Task 3 finishes working with the resource and releases the semaphore. At this point, the kernel knows that a higher priority task is waiting for the semaphore, and a context switch is done to resume Task 1.
- (13) At this point, Task 1 has the semaphore and can access the shared resource.

The priority of Task 1 has been virtually reduced to that of Task 3 because it was waiting for the resource that Task 3 owned. The situation was aggravated when Task 2 preempted Task 3, which further delayed the execution of Task 1.

You can correct this situation by raising the priority of Task 3, just for the time it takes to access the resource, then restoring the original priority level when the task is finished. The priority of Task 3 should be raised up to or above the highest priority of the other tasks competing for the resource. A multitasking kernel should allow task priorities to change dynamically to help prevent priority inversions. However, it takes some time to change a task's priority. What if Task 3 had completed access of the resource before it was preempted by Task 1 and then by Task 2? Had you raised the priority of Task 3 before accessing the resource and then lowered it back when done, you would have wasted valuable CPU time. What is really needed to avoid priority inversion is a kernel that changes the priority of a task automatically. This is called priority inheritance and µC/OS-II provides this feature (see Chapter 8, Mutual Exclusion Semaphores).

Figure 2.8 illustrates what happens when a kernel supports priority inheritance.

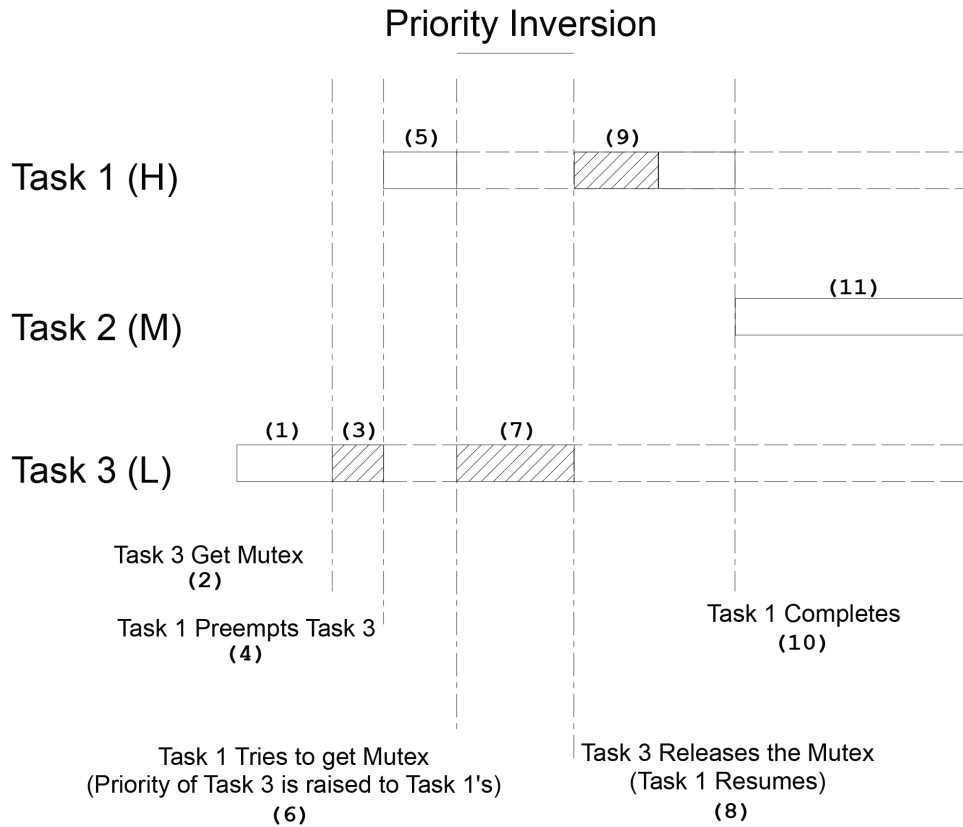


Figure - Figure 2.8 Kernel that supports priority inheritance

- (1) & (2) As with the previous example, Task 3 is running but this time, acquires a mutual exclusion semaphore (also called a *Mutex*) to access a shared resource.
- (3) & (4) Task 3 accesses the resource and then is preempted by Task 1.
- (5) & (6) Task 1 executes and tries to obtain the mutex. The kernel sees that Task 3 has the mutex and knows that Task 3 has a lower priority than Task 1. In this case, the kernel raises the priority of Task 3 to the same level as Task 1.
- (7) The kernel places Task 1 in the mutex wait list and then resumes execution of Task 3 so that this task can continue with the resource.
- (8) When Task 3 is done with the resource, it releases the mutex. At this point, the kernel reduces the priority of Task 3 to its original value and looks in the mutex wait list to see

if a task is waiting for the mutex. The kernel sees that Task 1 is waiting and gives it the mutex.

- (9) Task 1 is now free to access the resource.
- (10) & (11) When Task 1 is done executing, the medium-priority task (i.e., Task 2) gets the CPU. Note that Task 2 could have been ready to run any time between F2.8(3) and F2.8(10) without affecting the outcome. There is still some level of priority inversion that cannot be avoided but far less than in the previous scenario.

Assigning Task Priorities

Assigning task priorities is not a trivial undertaking because of the complex nature of real-time systems. In most systems, not all tasks are considered critical. Noncritical tasks should obviously be given low priorities. Most real-time systems have a combination of SOFT and HARD requirements. In a SOFT real-time system, tasks are performed as quickly as possible, but they don't have to finish by specific times. In HARD real-time systems, tasks have to be performed not only correctly, but on time.

An interesting technique called Rate Monotonic Scheduling (RMS) has been established to assign task priorities based on how often tasks execute. Simply put, tasks with the highest rate of execution are given the highest priority (Figure 2.9).

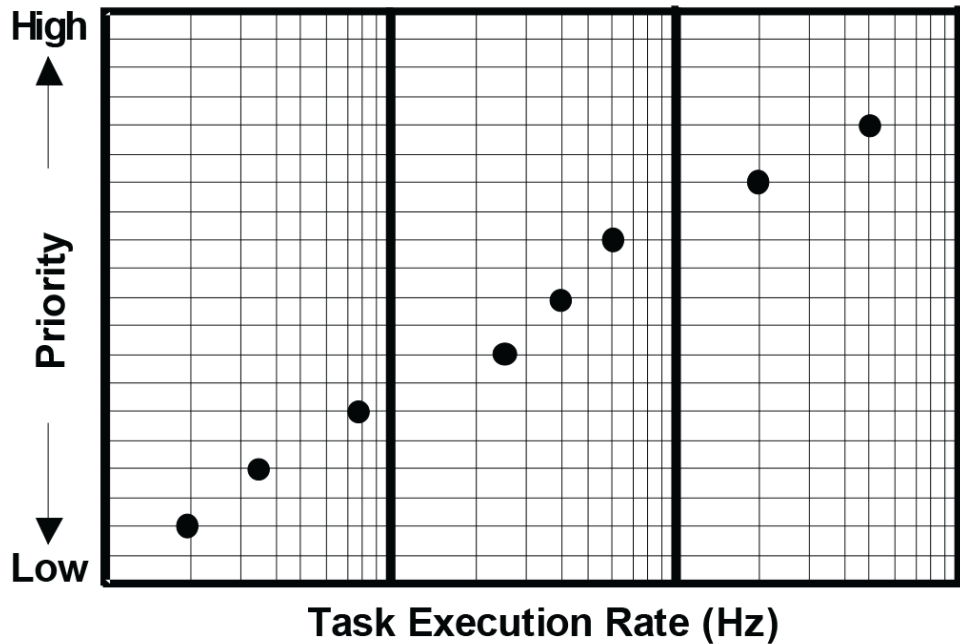


Figure - Figure 2.9 Assigning task priorities based on task execution rate

RMS makes a number of assumptions:

- All tasks are periodic (they occur at regular intervals).
- Tasks do not synchronize with one another, share resources, or exchange data.
- The CPU must always execute the highest priority task that is ready to run. In other words, preemptive scheduling must be used.

Given a set of n tasks that are assigned RMS priorities, the basic RMS theorem states that all task HARD real-time deadlines will always be met if the inequality in Equation [2.1] is verified.

$$[2.1] \quad \sum_i \frac{E_i}{T_i} \leq n(2^{1/n} - 1)$$

where, E_i corresponds to the maximum execution time of task i and T_i corresponds to the execution period of task i . In other words, E_i/T_i corresponds to the fraction of CPU time required to execute task i . Table 2.1 shows the value for size $n(2^{1/n} - 1)$ based on the number

of tasks. The upper bound for an infinite number of tasks is given by $\ln(2)$, or 0.693. This means that to meet all HARD real-time deadlines based on RMS, CPU utilization of all time-critical tasks should be less than 70 percent! Note that you can still have non-time-critical tasks in a system and thus use 100 percent of the CPU's time. Using 100 percent of your CPU's time is not a desirable goal because it does not allow for code changes and added features. As a rule of thumb, you should always design a system to use less than 60 to 70 percent of your CPU.

RMS says that the highest rate task has the highest priority. In some cases, the highest rate task may not be the most important task. Your application will thus dictate how you need to assign priorities. However, RMS is an interesting starting point.

Table 2.1 Allowable CPU utilization based on number of tasks.

Number of Tasks	$n(2^{1/n} - 1)$
1	1.000
2	0.828
3	0.779
4	0.756
5	0.743
.	.
.	.
.	.
	0.693

Mutual Exclusion

The easiest way for tasks to communicate with each other is through shared data structures. This is especially easy when all tasks exist in a single address space and can reference global variables, pointers, buffers, linked lists, ring buffers, etc. Although sharing data simplifies the exchange of information, you must ensure that each task has exclusive access to the data to avoid contention and data corruption. The most common methods of obtaining exclusive access to shared resources are

- disabling interrupts,
- performing test-and-set operations,

- disabling scheduling, and
- using semaphores.

Disabling and Enabling Interrupts

The easiest and fastest way to gain exclusive access to a shared resource is by disabling and enabling interrupts, as shown in the pseudocode in Listing 2.3.

```
Disable interrupts;
Access the resource (read/write from/to variables);
Reenable interrupts;
```

Listing - Listing 2.3 Disabling and enabling interrupts.

µC/OS-II uses this technique (as do most, if not all, kernels) to access internal variables and data structures. In fact, µC/OS-II provides two macros that allow you to disable and then enable interrupts from your C code: `OS_ENTER_CRITICAL()` and `OS_EXIT_CRITICAL()`, respectively [see section [????](#), `OS_ENTER_CRITICAL()`, and `OS_EXIT_CRITICAL()`]. You always need to use these macros in tandem, as shown in Listing 2.4.

```
void Function (void)
{
    OS_ENTER_CRITICAL();
    .
    . /* You can access shared data in here */
    .
    OS_EXIT_CRITICAL();
}
```

Listing - Listing 2.4 Using µC/OS-II macros to disable and enable interrupts.

You must be careful, however, not to disable interrupts for too long because this affects the response of your system to interrupts. This is known as interrupt latency. You should consider this method when you are changing or copying a few variables. Also, this is the only way that a task can share variables or data structures with an ISR. In all cases, you should keep interrupts disabled for as little time as possible.

If you use a kernel, you are basically allowed to disable interrupts for as much time as the kernel does without affecting interrupt latency. Obviously, you need to know how long the

kernel will disable interrupts. Any good kernel vendor will provide you with this information. After all, if they sell a real-time kernel, time is important!

Test-And-Set

If you are not using a kernel, two functions could 'agree' that to access a resource, they must check a global variable and if the variable is 0, the function has access to the resource. To prevent the other function from accessing the resource, however, the first function that gets the resource simply sets the variable to 1. This is commonly called a Test-And-Set (or TAS) operation. Either the TAS operation must be performed indivisibly (by the processor) or you must disable interrupts when doing the TAS on the variable, as shown in Listing 2.5.

```
Disable interrupts;
if ('Access Variable' is 0) {
    Set variable to 1;
    Reenable interrupts;
    Access the resource;
    Disable interrupts;
    Set the 'Access Variable' back to 0;
    Reenable interrupts;
} else {
    Reenable interrupts;
    /* You don't have access to the resource, try back later; */
}
```

Listing - Listing 2.5 Using Test-And-Set to access a resource.

Some processors actually implement a TAS operation in hardware (e.g., the 68000 family of processors have the TAS instruction).

Disabling and Enabling the Scheduler

If your task is not sharing variables or data structures with an ISR, you can disable and enable scheduling (see section ???, Locking and Unlocking the Scheduler), as shown in Listing 2.6 (using µC/OS-II as an example). In this case, two or more tasks can share data without the possibility of contention. You should note that while the scheduler is locked, interrupts are enabled, and if an interrupt occurs while in the critical section, the ISR is executed immediately. At the end of the ISR, the kernel always returns to the interrupted task, even if a higher priority task has been made ready to run by the ISR. Because the ISR would return to the interrupted task, the behavior of the kernel is very similar to that of a non-preemptive kernel (at least, while the scheduler is locked). The scheduler is invoked when `OSSchedUnlock()` is called to see if a higher priority task has been made ready to run by the task or an ISR. A context switch results if a higher priority task is ready to run. Although this method works well, you should avoid disabling the scheduler because it defeats the purpose of having a kernel in the first place. The next method should be chosen instead.

```
void Function (void)
{
    OSSchedLock();
    .
    .   /* You can access shared data in here (interrupts are recognized) */
    .
    OSSchedUnlock();
}
```

Listing - Listing 2.6 Accessing shared data by disabling and enabling scheduling.

Semaphores

The semaphore was invented by Edgser Dijkstra in the mid-1960s. It is a protocol mechanism offered by most multitasking kernels. Semaphores are used to

- control access to a shared resource (mutual exclusion),
- signal the occurrence of an event, and
- allow two tasks to synchronize their activities.

A semaphore is a key that your code acquires in order to continue execution. If the semaphore is already in use, the requesting task is suspended until the semaphore is released by its current

owner. In other words, the requesting task says: “Give me the key. If someone else is using it, I am willing to wait for it!” There are two types of semaphores: binary semaphores and counting semaphores. As its name implies, a binary semaphore can only take two values: 0 or 1. A counting semaphore allows values between 0 and 255, 65535, or 4294967295, depending on whether the semaphore mechanism is implemented using 8, 16, or 32 bits, respectively. The actual size depends on the kernel used. Along with the semaphore’s value, the kernel also needs to keep track of tasks waiting for the semaphore’s availability.

Generally, only three operations can be performed on a semaphore: INITIALIZE (also called CREATE), WAIT (also called PEND), and SIGNAL (also called POST). The initial value of the semaphore must be provided when the semaphore is initialized. The waiting list of tasks is always initially empty.

A task desiring the semaphore will perform a WAIT operation. If the semaphore is available (the semaphore value is greater than 0), the semaphore value is decremented and the task continues execution. If the semaphore’s value is 0, the task performing a WAIT on the semaphore is placed in a waiting list. Most kernels allow you to specify a timeout; if the semaphore is not available within a certain amount of time, the requesting task is made ready to run and an error code (indicating that a timeout has occurred) is returned to the caller.

A task releases a semaphore by performing a SIGNAL operation. If no task is waiting for the semaphore, the semaphore value is simply incremented. If any task is waiting for the semaphore, however, one of the tasks is made ready to run and the semaphore value is not incremented; the key is given to one of the tasks waiting for it. Depending on the kernel, the task that receives the semaphore is either

- the highest priority task waiting for the semaphore or
- the first task that requested the semaphore (First In First Out, or FIFO).

Some kernels have an option that allows you to choose either method when the semaphore is initialized. µC/OS-II only supports the first method. If the readied task has a higher priority than the current task (the task releasing the semaphore), a context switch occurs (with a preemptive kernel) and the higher priority task resumes execution; the current task is suspended until it again becomes the highest priority task ready to run.

Listing 2.7 shows how you can share data using a semaphore (in µC/OS-II). Any task needing access to the same shared data calls `OSSemPend()`, and when the task is done with the data, the

task calls `OSSemPost()`. Both of these functions are described later. You should note that a semaphore is an object that needs to be initialized before it's used; for mutual exclusion, a semaphore is initialized to a value of 1. Using a semaphore to access shared data doesn't affect interrupt latency. If an ISR or the current task makes a higher priority task ready to run while accessing shared data, the higher priority task executes immediately.

```
OS_EVENT *SharedDataSem;
void Function (void)
{
    INT8U err;

    OSSemPend(SharedDataSem, 0, &err);
    .
    . /* You can access shared data in here (interrupts are recognized) */
    .
    OSSemPost(SharedDataSem);
}
```

Listing - Listing 2.7 Accessing shared data by obtaining a semaphore.

Semaphores are especially useful when tasks share I/O devices. Imagine what would happen if two tasks were allowed to send characters to a printer at the same time. The printer would contain interleaved data from each task. For instance, the printout from Task 1 printing "I am Task 1!" and Task 2 printing "I am Task 2!" could result in:

I Ia amm T Tasask k1 !2!

In this case, use a semaphore and initialize it to 1 (i.e., a binary semaphore). The rule is simple: to access the printer each task first must obtain the resource's semaphore. Figure 2.10 shows tasks competing for a semaphore to gain exclusive access to the printer. Note that the semaphore is represented symbolically by a key, indicating that each task must obtain this key to use the printer.

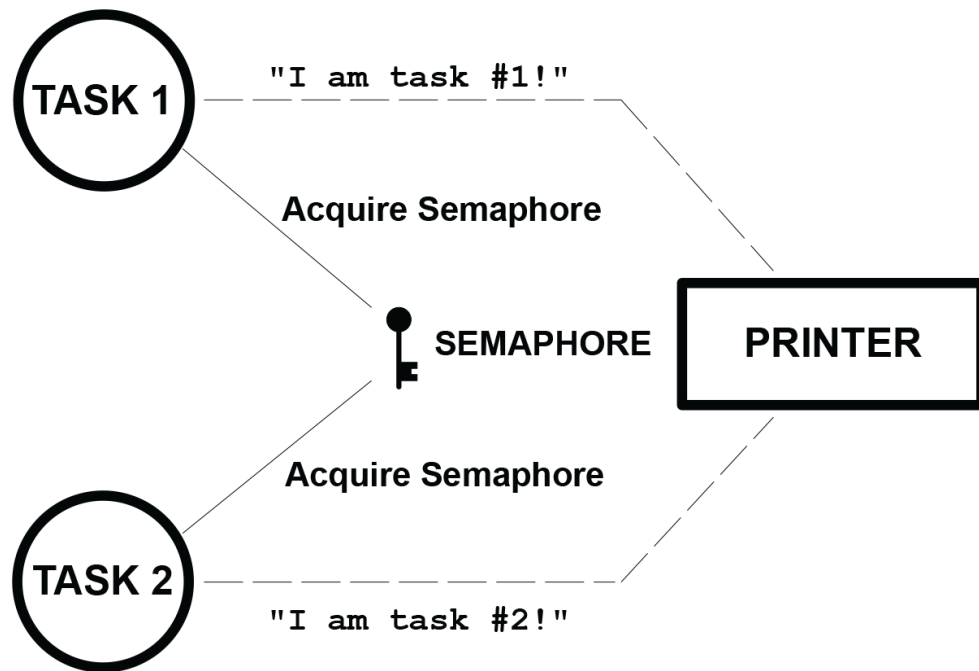


Figure - Figure 2.10 Using a semaphore to get permission to access a printer

The above example implies that each task must know about the existence of the semaphore in order to access the resource. There are situations when it is better to encapsulate the semaphore. Each task would thus not know that it is actually acquiring a semaphore when accessing the resource. For example, an RS-232C port is used by multiple tasks to send commands and receive responses from a device connected at the other end (Figure 2.11).

The function `CommSendCmd()` is called with three arguments: the ASCII string containing the command, a pointer to the response string from the device, and finally, a timeout in case the device doesn't respond within a certain amount of time. The pseudocode for this function is shown in Listing 2.8.

```
INT8U CommSendCmd(char *cmd, char *response, INT16U timeout)
{
    Acquire port's semaphore;
    Send command to device;
    Wait for response (with timeout);
    if (timed out) {
        Release semaphore;
        return (error code);
    } else {
        Release semaphore;
        return (no error);
    }
}
```

Listing - Listing 2.8 Encapsulating a semaphore.

Each task that needs to send a command to the device has to call this function. The semaphore is assumed to be initialized to 1 (i.e., available) by the communication driver initialization routine. The first task that calls `CommSendCmd()` acquires the semaphore, proceeds to send the command, and waits for a response. If another task attempts to send a command while the port is busy, this second task is suspended until the semaphore is released. The second task appears simply to have made a call to a normal function that will not return until the function has performed its duty. When the semaphore is released by the first task, the second task acquires the semaphore and is allowed to use the RS-232C port.

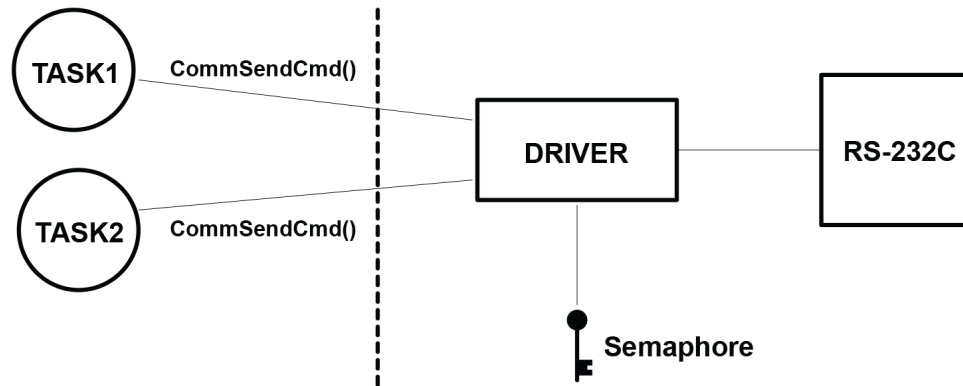


Figure - Figure 2.11 Hiding a semaphore from tasks

A counting semaphore is used when a resource can be used by more than one task at the same time. For example, a counting semaphore is used in the management of a buffer pool as shown in Figure 2.12. Assume that the buffer pool initially contains 10 buffers. A task would obtain a buffer from the buffer manager by calling `BuFReq()`. When the buffer is no longer needed, the task would return the buffer to the buffer manager by calling `BuFRe1()`. The pseudocode for these functions is shown in Listing 2.9.


```
BUF *BufReq(void)
{
    BUF *ptr;

    Acquire a semaphore;
    Disable interrupts;
    ptr = BufFreeList;
    BufFreeList = ptr->BufNext;
    Enable interrupts;
    return (ptr);
}

void BufRel(BUF *ptr)
{
    Disable interrupts;
    ptr->BufNext = BufFreeList;
    BufFreeList = ptr;
    Enable interrupts;
    Release semaphore;
}
}
```

Listing - Listing 2.9 Buffer management using a semaphore.

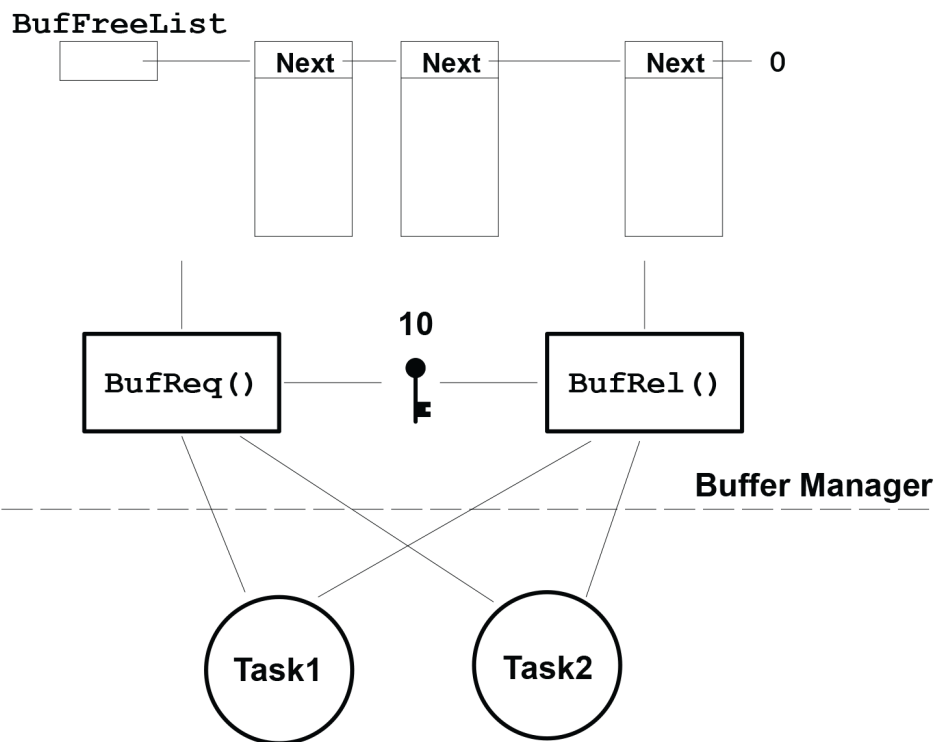


Figure - Figure 2.12 Using a counting semaphore

The buffer manager will satisfy the first 10 buffer requests because there are 10 keys. When all semaphores are used, a task requesting a buffer is suspended until a semaphore becomes

available. Interrupts are disabled to gain exclusive access to the linked list (this operation is very quick). When a task is finished with the buffer it acquired, it calls `BuFRe1()` to return the buffer to the buffer manager; the buffer is inserted into the linked list before the semaphore is released. By encapsulating the interface to the buffer manager in `BuFReq()` and `BuFRe1()`, the caller doesn't need to be concerned with the actual implementation details.

Semaphores are often overused. The use of a semaphore to access a simple shared variable is overkill in most situations. The overhead involved in acquiring and releasing the semaphore can consume valuable time. You can do the job just as efficiently by disabling and enabling interrupts (see section 2.18.01, *Disabling and Enabling Interrupts*). Suppose that two tasks are sharing a 32-bit integer variable. The first task increments the variable while the other task clears it. If you consider how long a processor takes to perform either operation, you will realize that you do not need a semaphore to gain exclusive access to the variable. Each task simply needs to disable interrupts before performing its operation on the variable and enable interrupts when the operation is complete. A semaphore should be used, however, if the variable is a floating-point variable and the microprocessor doesn't support floating point in hardware. In this case, the processing time involved in processing the floating-point variable could have affected interrupt latency if you had disabled interrupts.

Deadlock (or Deadly Embrace)

A deadlock, also called a deadly embrace, is a situation in which two tasks are each unknowingly waiting for resources held by the other. Assume task T1 has exclusive access to resource R1 and task T2 has exclusive access to resource R2. If T1 needs exclusive access to R2 and T2 needs exclusive access to R1, neither task can continue. They are deadlocked. The simplest way to avoid a deadlock is for tasks to

- acquire all resources before proceeding,
- acquire the resources in the same order, and
- release the resources in the reverse order.

Most kernels allow you to specify a timeout when acquiring a semaphore. This feature allows a deadlock to be broken. If the semaphore is not available within a certain amount of time, the task requesting the resource resumes execution. Some form of error code must be returned to

the task to notify it that a timeout occurred. A return error code prevents the task from thinking it has obtained the resource. Deadlocks generally occur in large multitasking systems, not in embedded systems (at least they better not!).

Synchronization

A task can be synchronized with an ISR (or another task when no data is being exchanged) by using a semaphore as shown in Figure 2.13. Note that, in this case, the semaphore is drawn as a flag to indicate that it is used to signal the occurrence of an event (rather than to ensure mutual exclusion, in which case it would be drawn as a key). When used as a synchronization mechanism, the semaphore is initialized to 0. Using a semaphore for this type of synchronization is called a unilateral rendezvous. For example, a task can initiate an I/O operation and then waits for the semaphore. When the I/O operation is complete, an ISR (or another task) signals the semaphore and the task is resumed.

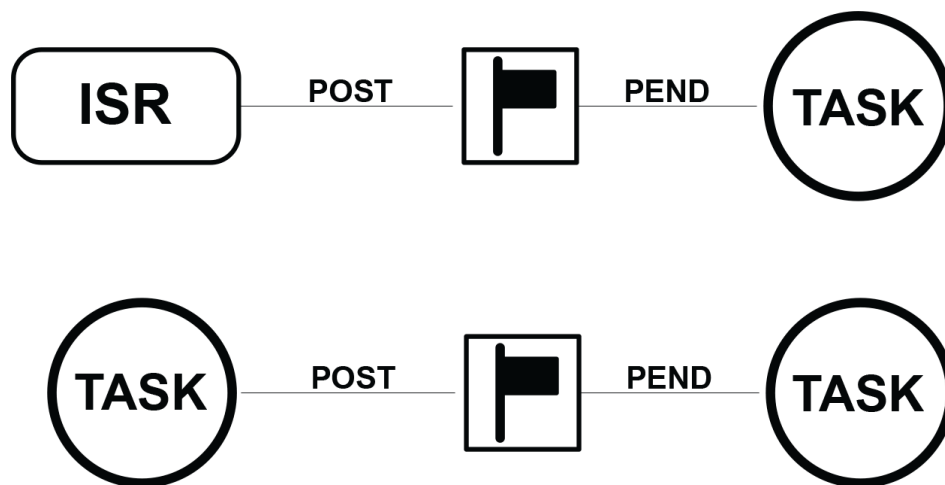


Figure - Figure 2.13 Synchronizing tasks and ISRs

If the kernel supports counting semaphores, the semaphore would accumulate events that have not yet been processed. Note that more than one task can be waiting for an event to occur. In this case, the kernel could signal the occurrence of the event either to

- the highest priority task waiting for the event to occur or
- the first task waiting for the event.

Depending on the application, more than one ISR or task could signal the occurrence of the event.

Two tasks can synchronize their activities by using two semaphores, as shown in Figure 2.14. This is called a bilateral rendezvous. A bilateral rendezvous is similar to a unilateral rendezvous, except both tasks must synchronize with one another before proceeding. A bilateral rendezvous cannot be performed between a task and an ISR because an ISR cannot wait on a semaphore.

For example, two tasks are executing as shown in Listing 2.10.

- (1) & (2) When the first task reaches a certain point, it signals the second task then waits for a return signal.
- (3) & (4) Similarly, when the second task reaches a certain point, it signals the first task and waits for a return signal. At this point, both tasks are synchronized with each other.

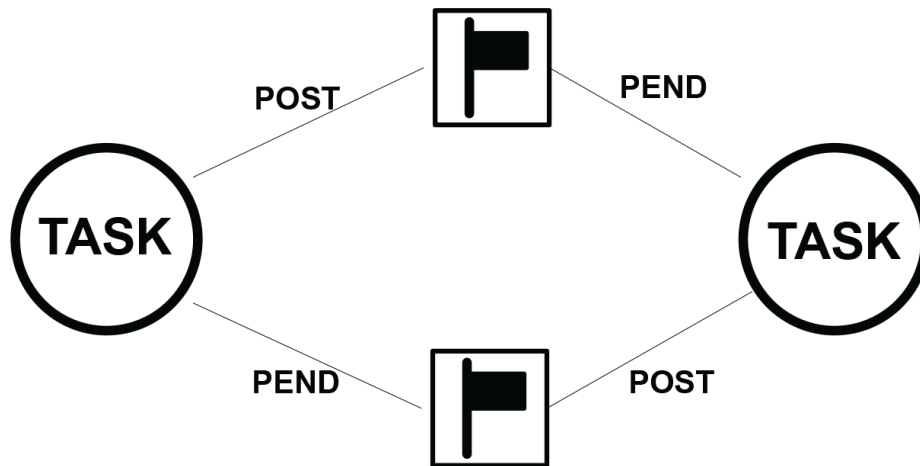


Figure - Figure 2.14 Tasks synchronizing their activities

```
Task1()
{
    for (;;) {
        Perform operation;
        Signal task #2;                               (1)
        Wait for signal from task #2;                 (2)
        Continue operation;
    }
}

Task2()
{
    for (;;) {
        Perform operation;
        Signal task #1;                               (3)
        Wait for signal from task #1;                 (4)
        Continue operation;
    }
}
```

Listing - Listing 2.10 Bilateral rendezvous.

Event Flags

Event flags are used when a task needs to synchronize with the occurrence of multiple events. The task can be synchronized when any of the events have occurred. This is called disjunctive synchronization (logical OR). A task can also be synchronized when all events have occurred. This is called conjunctive synchronization (logical AND). Disjunctive and conjunctive synchronization are shown in Figure 2.15.

Common events can be used to signal multiple tasks, as shown in Figure 2.16. Events are typically grouped. Depending on the kernel, a group consists of 8, 16, or 32 events, each represented by a bit. (mostly 32 bits, though). Tasks and ISRs can set or clear any event in a group. A task is resumed when all the events it requires are satisfied. The evaluation of which task will be resumed is performed when a new set of events occurs (i.e., during a SET operation).

Kernels like µC/OS-II which support event flags offer services to SET event flags, CLEAR event flags, and WAIT for event flags (conjunctively or disjunctively).

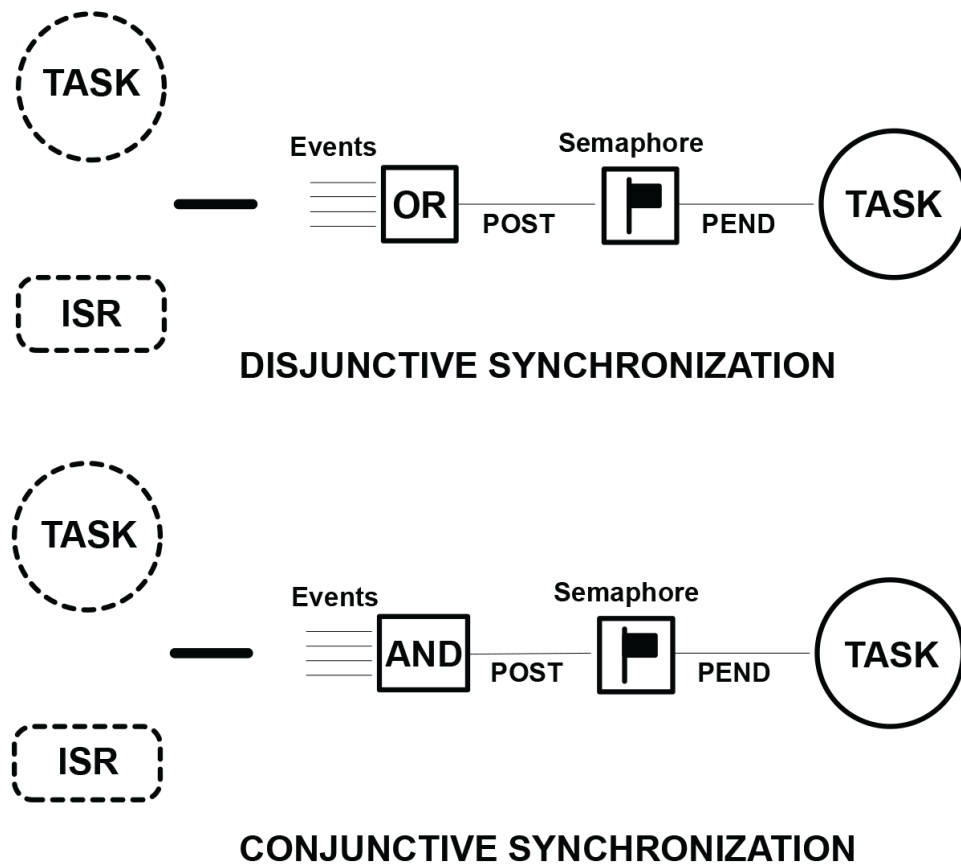


Figure - Figure 2.15 Disjunctive and conjunctive synchronization

Intertask Communication

It is sometimes necessary for a task or an ISR to communicate information to another task. This information transfer is called intertask communication. Information may be communicated between tasks in two ways: through global data or by sending messages.

When using global variables, each task or ISR must ensure that it has exclusive access to the variables. If an ISR is involved, the only way to ensure exclusive access to the common variables is to disable interrupts. If two tasks are sharing data, each can gain exclusive access to the variables either by disabling and enabling interrupts or with the use of a semaphore (as we have seen). Note that a task can only communicate information to an ISR by using global variables. A task is not aware when a global variable is changed by an ISR, unless the ISR signals the task by using a semaphore or unless the task polls the contents of the variable periodically. To correct this situation, you should consider using either a message mailbox or a message queue.

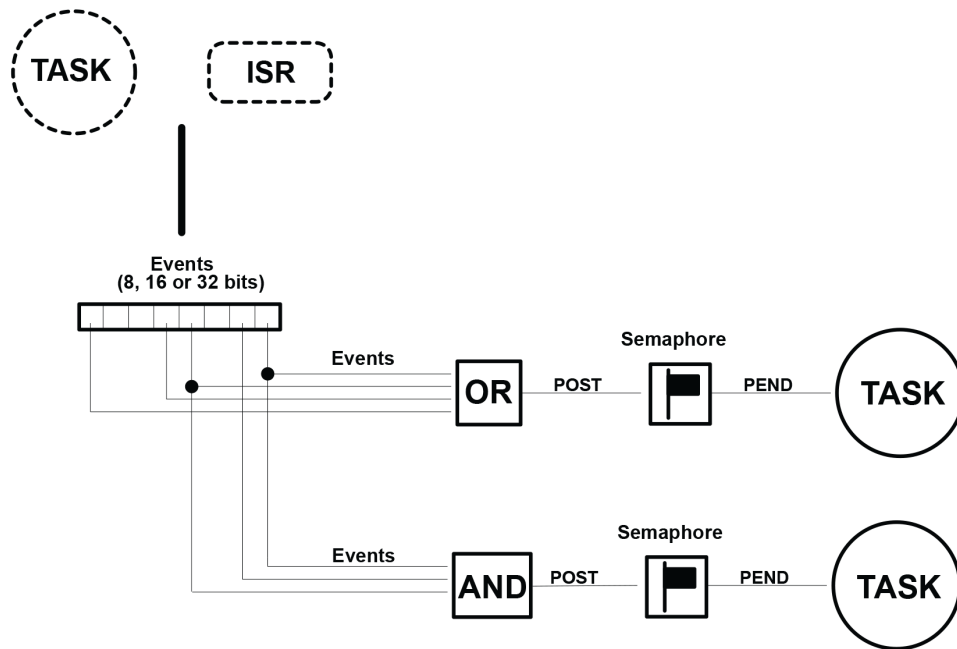


Figure - Figure 2.16 Event flags

Message Mailboxes

Messages can be sent to a task through kernel services. A Message Mailbox, also called a message exchange, is typically a pointer-size variable. Through a service provided by the kernel, a task or an ISR can deposit a message (the pointer) into this mailbox. Similarly, one or more tasks can receive messages through a service provided by the kernel. Both the sending task and receiving task agree on what the pointer is actually pointing to.

A waiting list is associated with each mailbox in case more than one task wants to receive messages through the mailbox. A task desiring a message from an empty mailbox is suspended and placed on the waiting list until a message is received. Typically, the kernel allows the task waiting for a message to specify a timeout. If a message is not received before the timeout expires, the requesting task is made ready to run and an error code (indicating that a timeout has occurred) is returned to it. When a message is deposited into the mailbox, either the highest priority task waiting for the message is given the message (*priority based*) or the first task to request a message is given the message (First-In-First-Out, or FIFO). µC/OS-II only supports the first mechanism – gives the message to the highest priority task waiting. Figure 2.17 shows a task depositing a message into a mailbox. Note that the mailbox is represented by an I-beam and the timeout is represented by an hourglass. The number next to the hourglass represents the number of clock ticks (described later) the task will wait for a message to arrive.

Kernels typically provide the following mailbox services.

- Initialize the contents of a mailbox. The mailbox initially may or may not contain a message.
- Deposit a message into the mailbox (POST).
- Wait for a message to be deposited into the mailbox (PEND).
- Get a message from a mailbox if one is present, but do not suspend the caller if the mailbox is empty (ACCEPT). If the mailbox contains a message, the message is extracted from the mailbox. A return code is used to notify the caller about the outcome of the call.

Message mailboxes can also simulate binary semaphores. A message in the mailbox indicates that the resource is available, and an empty mailbox indicates that the resource is already in use by another task.

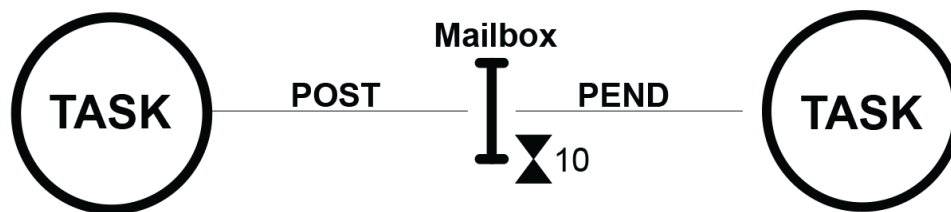


Figure - Figure 2.17 Message mailbox

Message Queues

A message queue is used to send one or more messages to a task. A message queue is basically an array of mailboxes. Through a service provided by the kernel, a task or an ISR can deposit a message (the pointer) into a message queue. Similarly, one or more tasks can receive messages through a service provided by the kernel. Both the sending task and receiving task or tasks have to agree as to what the pointer is actually pointing to. Generally, the first message inserted in the queue will be the first message extracted from the queue (FIFO). In addition, to extract messages in a FIFO fashion, µC/OS-II allows a task to get messages Last-In-First-Out (LIFO).

As with the mailbox, a waiting list is associated with each message queue, in case more than one task is to receive messages through the queue. A task desiring a message from an empty queue is suspended and placed on the waiting list until a message is received. Typically, the

kernel allows the task waiting for a message to specify a timeout. If a message is not received before the timeout expires, the requesting task is made ready to run and an error code (indicating a timeout has occurred) is returned to it. When a message is deposited into the queue, either the highest priority task or the first task to wait for the message is given the message. µC/OS-II only supports the first mechanism – gives the message to the highest priority task waiting. Figure 2.18 shows an ISR (Interrupt Service Routine) depositing a message into a queue. Note that the queue is represented graphically by a double I-beam. The “10” indicates the number of messages that can accumulate in the queue. A “0” next to the hourglass indicates that the task will wait forever for a message to arrive.

Kernels typically provide the message queue services listed below.

- Initialize the queue. The queue is always assumed to be empty after initialization.
- Deposit a message into the queue (POST).
- Wait for a message to be deposited into the queue (PEND).
- Get a message from a queue if one is present, but do not suspend the caller if the queue is empty (ACCEPT). If the queue contains a message, the message is extracted from the queue. A return code is used to notify the caller about the outcome of the call.

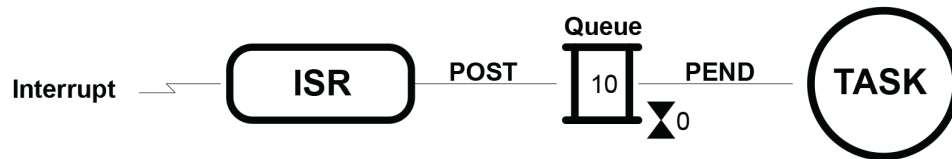


Figure - Figure 2.18 Message queue

Interrupts

An interrupt is a hardware mechanism used to inform the CPU that an asynchronous event has occurred. When an interrupt is recognized, the CPU saves part (or all) of its context (i.e., registers) and jumps to a special subroutine called an Interrupt Service Routine, or ISR. The ISR processes the event, and upon completion of the ISR, the program returns to

- the background for a foreground/background system,
- the interrupted task for a non-preemptive kernel, or

- the highest priority task ready to run for a preemptive kernel.

Interrupts allow a microprocessor to process events when they occur. This prevents the microprocessor from continuously polling (looking at) an event to see if it has occurred. Microprocessors allow interrupts to be ignored and recognized through the use of two special instructions: disable interrupts and enable interrupts, respectively. In a real-time environment, interrupts should be disabled as little as possible. Disabling interrupts affects interrupt latency (see section 2.26, Interrupt Latency) and may cause interrupts to be missed. Processors generally allow interrupts to be nested. This means that while servicing an interrupt, the processor will recognize and service other (more important) interrupts, as shown in Figure 2.19.

Interrupt Latency

Probably the most important specification of a real-time kernel is the amount of time interrupts are disabled. All real-time systems disable interrupts to manipulate critical sections of code and reenable interrupts when the critical section has executed. The longer interrupts are disabled, the higher the interrupt latency. Interrupt latency is given by Equation [2.2].

$$\begin{aligned} [2.2] \quad & \text{Maximum amount of time interrupts are disabled} \\ & + \text{Time to start executing the first instruction in the ISR} \end{aligned}$$

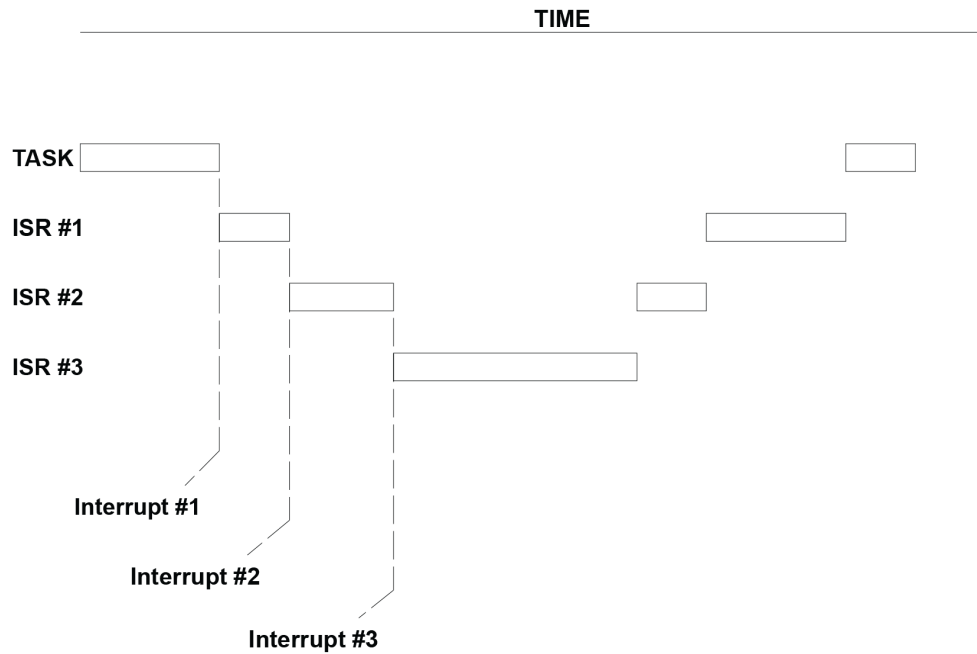


Figure - Figure 2.19 Interrupt nesting

Interrupt Response

Interrupt response is defined as the time between the reception of the interrupt and the start of the user code that handles the interrupt. The interrupt response time accounts for all the overhead involved in handling an interrupt. Typically, the processor's context (CPU registers) is saved on the stack before the user code is executed.

For a foreground/background system, the user ISR code is executed immediately after saving the processor's context. The response time is given by Equation [2.3].

$$[2.3] \quad \text{Interrupt latency} + \text{Time to save the CPU's context}$$

For a non-preemptive kernel, the user ISR code is executed immediately after the processor's context is saved. The response time to an interrupt for a non-preemptive kernel is given by Equation [2.4].

$$[2.4] \quad \text{Interrupt latency} + \text{Time to save the CPU's context}$$

For a preemptive kernel, a special function provided by the kernel needs to be called to notify the kernel that an ISR is starting. This function allows the kernel to keep track of interrupt nesting. The reason this function is needed will be explained in section 2.28, Interrupt

Recovery. For µC/OS-II, this function is called `OSIntEnter()`. The response time to an interrupt for a preemptive kernel is given by Equation [2.5].

$$\begin{aligned} [2.5] \quad & \text{Interrupt latency} \\ & + \text{Time to save the CPU's context} \\ & + \text{Execution time of the kernel ISR entry function} \end{aligned}$$

A system's worst case interrupt response time is its only response. Your system may respond to interrupts in 50ms 99 percent of the time, but if it responds to interrupts in 250ms the other 1 percent, you must assume a 250ms interrupt response time.

Interrupt Recovery

Interrupt recovery is defined as the time required for the processor to return to the interrupted code or to a higher priority task in the case of a preemptive kernel. Interrupt recovery in a foreground/background system simply involves restoring the processor's context and returning to the interrupted task. Interrupt recovery is given by Equation [2.6].

$$\begin{aligned} [2.6] \quad & \text{Time to restore the CPU's context} \\ & + \text{Time to execute the return from interrupt instruction} \end{aligned}$$

As with a foreground/background system, interrupt recovery with a non-preemptive kernel (Equation [2.7]) simply involves restoring the processor's context and returning to the interrupted task.

$$\begin{aligned} [2.7] \quad & \text{Time to restore the CPU's context} \\ & + \text{Time to execute the return from interrupt instruction} \end{aligned}$$

For a preemptive kernel, interrupt recovery is more complex. Typically, a function provided by the kernel is called at the end of the ISR. For µC/OS-II, this function is called `OSIntExit()` and allows the kernel to determine if all interrupts have nested. If they have nested (i.e., a return from interrupt would return to task-level code), the kernel determines if a higher priority task has been made ready-to-run as a result of the ISR. If a higher priority task is ready-to-run as a result of the ISR, this task is resumed. Note that, in this case, the interrupted task will resume only when it again becomes the highest priority task ready-to-run. For a preemptive kernel, interrupt recovery is given by Equation [2.8].

$$[2.8] \quad \text{Time to determine if a higher priority task is ready}$$

- + Time to restore the CPU's context of the highest priority task
- + Time to execute the return from interrupt instruction

Interrupt Latency, Response, and Recovery

Figures 2.20 through 2.22 show the interrupt latency, response, and recovery for a foreground/background system, a non-preemptive kernel, and a preemptive kernel, respectively.

You should note that for a preemptive kernel, the exit function either decides to return to the interrupted task [F2.22(A)] or to a higher priority task that the ISR has made ready to run [F2.22(B)]. In the later case, the execution time is slightly longer because the kernel has to perform a context switch. I made the difference in execution time somewhat to scale assuming μC/OS-II on an Intel 80186 processor (see Table 14.3, Execution times of μC/OS-II services on 33MHz 80186). This allows you to see the cost (in execution time) of switching context.

ISR Processing Time

Although ISRs should be as short as possible, there are no absolute limits on the amount of time for an ISR. One cannot say that an ISR must always be less than 100ms, 500ms, or 1ms. If the ISR code is the most important code that needs to run at any given time, it could be as long as it needs to be. In most cases, however, the ISR should recognize the interrupt, obtain data or a status from the interrupting device, and signal a task to perform the actual processing. You should also consider whether the overhead involved in signaling a task is more than the processing of the interrupt. Signaling a task from an ISR (i.e., through a semaphore, a mailbox, or a queue) requires some processing time. If processing your interrupt requires less than the time required to signal a task, you should consider processing the interrupt in the ISR itself and possibly enabling interrupts to allow higher priority interrupts to be recognized and serviced.

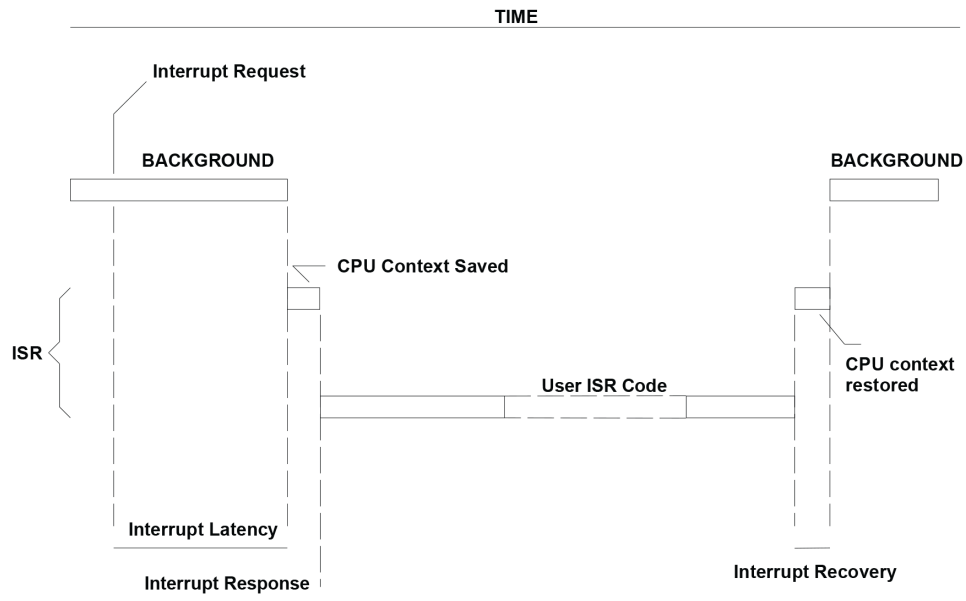


Figure - Figure 2.20 Interrupt latency, response, and recovery (foreground/background)

Nonmaskable Interrupts (NMIs)

Sometimes, an interrupt must be serviced as quickly as possible and cannot afford to have the latency imposed by a kernel. In these situations, you may be able to use the Nonmaskable Interrupt (NMI) provided on most microprocessors. Because the NMI cannot be disabled, interrupt latency, response, and recovery are minimal. The NMI is generally reserved for drastic measures such as saving important information during a power down. If, however, your application doesn't have this requirement, you could use the NMI to service your most time-critical ISR. The following equations show how to determine the interrupt latency [2.9], response [2.10], and recovery [2.11], respectively, of an NMI.

$$\begin{aligned}
 [2.9] \quad \text{Interrupt Latency} &= \\
 &\text{Time to execute longest instruction} \\
 &+ \text{Time to start executing the NMI ISR}
 \end{aligned}$$

$$\begin{aligned}
 [2.10] \quad \text{Interrupt Response} &= \\
 &\text{Interrupt latency} \\
 &+ \text{Time to save the CPU's context}
 \end{aligned}$$

$$\begin{aligned}
 [2.11] \quad \text{Interrupt Recovery} &= \\
 &\text{Time to restore the CPU's context} \\
 &+ \text{Time to execute the return from interrupt instruction}
 \end{aligned}$$

I have used the NMI in an application to respond to an interrupt that could occur every 150ms. The processing time of the ISR took from 80 to 125ms, and the kernel I used had an interrupt response of about 45ms. As you can see, if I had used maskable interrupts, the ISR could have been late by 20ms ($125\mu\text{s} + 45\mu\text{s} > 150\mu\text{s}$).

When you are servicing an NMI, you cannot use kernel services to signal a task because NMIs cannot be disabled to access critical sections of code. However, you can still pass parameters to and from the NMI. Parameters passed must be global variables and the size of these variables must be read or written indivisibly; that is, not as separate byte read or write instructions.

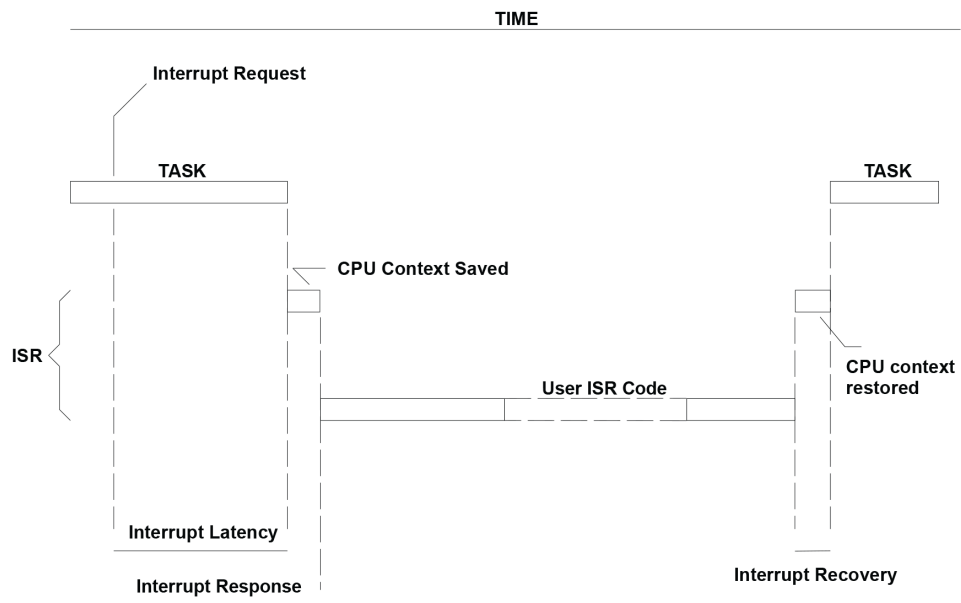


Figure - Figure 2.21 Interrupt latency, response, and recovery (non-preemptive kernel)

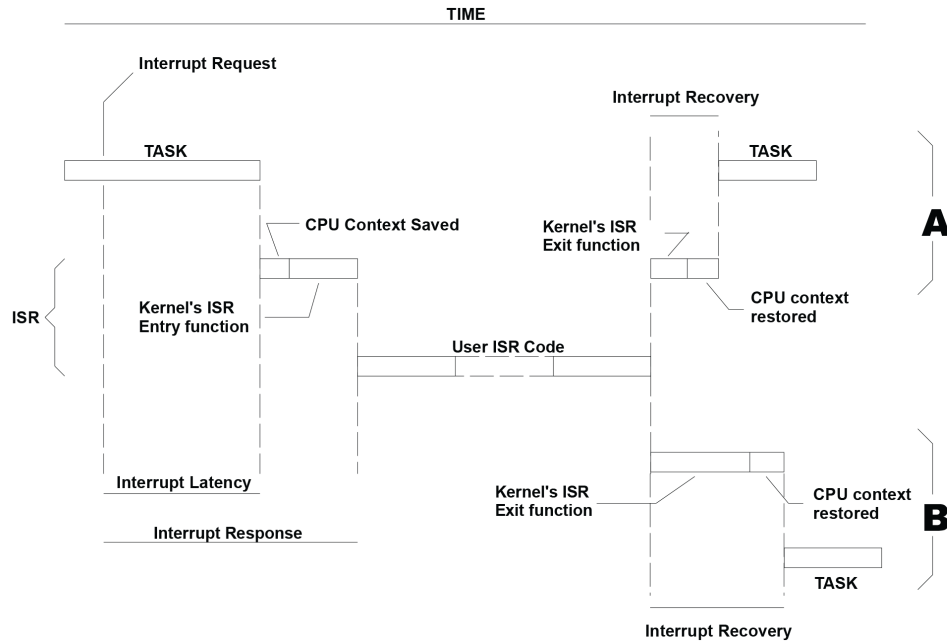


Figure - Figure 2.22 Interrupt latency, response, and recovery (preemptive kernel)

NMIs can be disabled by adding external circuitry, as shown in Figure 2.23. Assuming that both the interrupt and the NMI are positive-going signals, a simple AND gate is inserted between the interrupt source and the processor's NMI input. Interrupts are disabled by writing a 0 to an output port. You wouldn't want to disable interrupts to use kernel services, but you could use this feature to pass parameters (i.e., larger variables) to and from the ISR and a task.

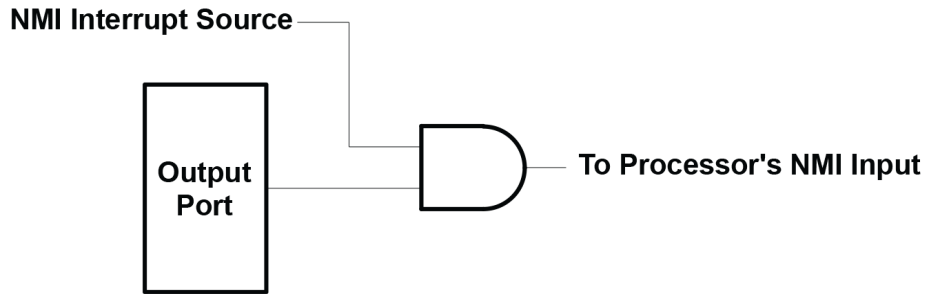


Figure - Figure 2.23 Disabling nonmaskable interrupts

Now, suppose that the NMI service routine needs to signal a task every 40 times it executes. If the NMI occurs every 150ms, a signal would be required every 6ms (40 x 150ms). From a NMI ISR, you cannot use the kernel to signal the task, but you could use the scheme shown in Figure 2.24. In this case, the NMI service routine would generate a hardware interrupt through an output port (i.e., bring an output high). Since the NMI service routine typically has the highest priority and interrupt nesting is typically not allowed while servicing the NMI ISR, the

interrupt would not be recognized until the end of the NMI service routine. At the completion of the NMI service routine, the processor would be interrupted to service this hardware interrupt. This ISR would clear the interrupt source (i.e., bring the port output low) and post to a semaphore that would wake up the task. As long as the task services the semaphore well within 6ms, your deadline would be met.

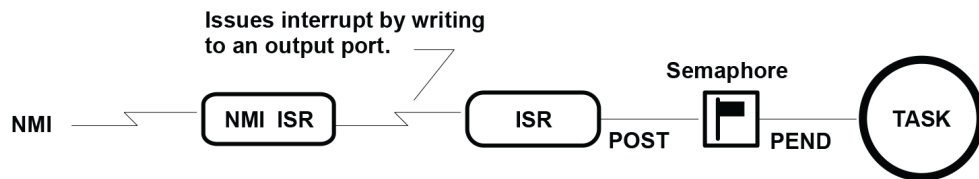


Figure - Figure 2.24 Signaling a task from a nonmaskable interrupt

Clock Tick

A clock tick is a special interrupt that occurs periodically. This interrupt can be viewed as the system's heartbeat. The time between interrupts is application specific and is generally between 10 and 200ms. The clock tick interrupt allows a kernel to delay tasks for an integral number of clock ticks and to provide timeouts when tasks are waiting for events to occur. The faster the tick rate, the higher the overhead imposed on the system.

All kernels allow tasks to be delayed for a certain number of clock ticks. The resolution of delayed tasks is one clock tick; however, this does not mean that its accuracy is one clock tick.

Figures 2.25 through 2.27 are timing diagrams showing a task delaying itself for one clock tick. The shaded areas indicate the execution time for each operation being performed. Note that the time for each operation varies to reflect typical processing, which would include loops and conditional statements (i.e., if/else, switch, and ?:). The processing time of the Tick ISR has been exaggerated to show that it too is subject to varying execution times.

Case 1 (Figure 2.25) shows a situation where higher priority tasks and ISRs execute prior to the task, which needs to delay for one tick. As you can see, the task attempts to delay for 20ms but because of its priority, actually executes at varying intervals. This causes the execution of the task to jitter.

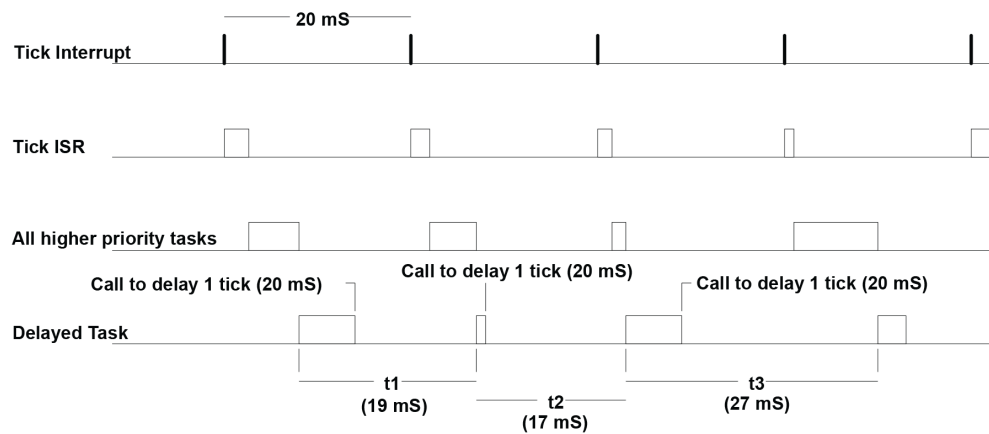


Figure - Figure 2.25 Delaying a task for one tick (Case 1)

Case 2 (Figure 2.26) shows a situation where the execution times of all higher priority tasks and ISRs are slightly less than one tick. If the task delays itself just before a clock tick, the task will execute again almost immediately! Because of this, if you need to delay a task at least one clock tick, you must specify one extra tick. In other words, if you need to delay a task for at least five ticks, you must specify six ticks!

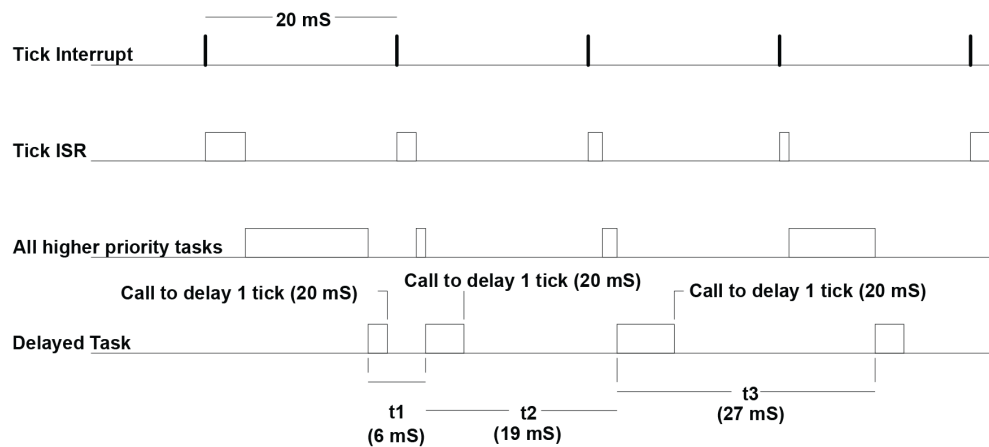


Figure - Figure 2.26 Delaying a task for one tick (Case 2)

Case 3 (Figure 2.27) shows a situation in which the execution times of all higher priority tasks and ISRs extend beyond one clock tick. In this case, the task that tries to delay for one tick actually executes two ticks later and misses its deadline. This might be acceptable in some applications, but in most cases it isn't.

These situations exist with all real-time kernels. They are related to CPU processing load and possibly incorrect system design. Here are some possible solutions to these problems:

- Increase the clock rate of your microprocessor.
- Increase the time between tick interrupts.
- Rearrange task priorities.
- Avoid using floating-point math (if you must, use single precision).
- Get a compiler that performs better code optimization.
- Write time-critical code in assembly language.
- If possible, upgrade to a faster microprocessor in the same family; that is, 8086 to 80186, 68000 to 68020, etc.

Regardless of what you do, jitter will always occur.

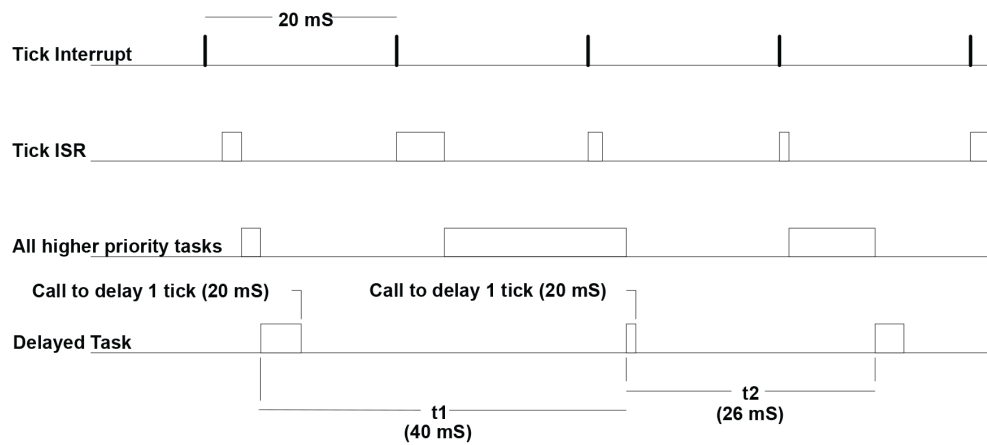


Figure - Figure 2.27 Delaying a task for one tick (Case 3)

Memory Requirements

If you are designing a foreground/background system, the amount of memory required depends solely on your application code. With a multitasking kernel, things are quite different. To begin with, a kernel requires extra code space (ROM). The size of the kernel depends on many factors. Depending on the features provided by the kernel, you can expect anywhere from 1 to 100K bytes. A minimal kernel for an 8-bit CPU that provides only scheduling, context switching, semaphore management, delays, and timeouts should require about 1 to 3K bytes of code space. The total code space is given by Equation [2.12].

$$[2.12] \quad \text{Application code size} + \text{Kernel code size}$$

Because each task runs independently of the others, it must be provided with its own stack area (RAM). As a designer, you must determine the stack requirement of each task as closely as possible (this is sometimes a difficult undertaking). The stack size must not only account for the task requirements (local variables, function calls, etc.), it must also account for maximum interrupt nesting (saved registers, local storage in ISRs, etc.). Depending on the target processor and the kernel used, a separate stack can be used to handle all interrupt-level code. This is a desirable feature because the stack requirement for each task can be substantially reduced. Another desirable feature is the ability to specify the stack size of each task on an individual basis (μC/OS-II permits this). Conversely, some kernels require that all task stacks be the same size. All kernels require extra RAM to maintain internal variables, data structures, queues, etc. The total RAM required if the kernel does not support a separate interrupt stack is given by Equation [2.13].

$$[2.13] \quad \begin{aligned} &\text{Application code requirements} \\ &+ \text{Data space (i.e., RAM) needed by the kernel itself} \\ &+ \text{SUM(task stacks} + \text{MAX(ISR nesting))} \end{aligned}$$

If the kernel supports a separate stack for interrupts, the total RAM required is given by Equation [2.14].

$$[2.14] \quad \begin{aligned} &\text{Application code requirements} \\ &+ \text{Data space (i.e., RAM) needed by the kernel} \\ &+ \text{SUM(task stacks)} \\ &+ \text{MAX(ISR nesting)} \end{aligned}$$

Unless you have large amounts of RAM to work with, you need to be careful how you use the stack space. To reduce the amount of RAM needed in an application, you must be careful how you use each task's stack for

- large arrays and structures declared locally to functions and ISRs,
- function (i.e., subroutine) nesting,
- interrupt nesting,
- library functions stack usage, and
- function calls with many arguments.

To summarize, a multitasking system requires more code space (ROM) and data space (RAM) than a foreground/background system. The amount of extra ROM depends only on the size of the kernel, and the amount of RAM depends on the number of tasks in your system.

Advantages and Disadvantages of Real-Time Kernels

A real-time kernel, also called a Real-Time Operating System, or RTOS, allows real-time applications to be designed and expanded easily; functions can be added without requiring major changes to the software. In fact, if you add low priority tasks to your system, the responsiveness of your system to high priority task will almost not be affected! The use of an RTOS simplifies the design process by splitting the application code into separate tasks. With a preemptive RTOS, all time-critical events are handled as quickly and as efficiently as possible. An RTOS allows you to make better use of your resources by providing you with valuable services, such as semaphores, mailboxes, queues, time delays, timeouts, etc.

You should consider using a real-time kernel if your application can afford the extra requirements: extra cost of the kernel, more ROM/RAM, and 2 to 4 percent additional CPU overhead.

The one factor I haven't mentioned so far is the cost associated with the use of a real-time kernel. In some applications, cost is everything and would preclude you from even considering an RTOS.

There are currently about 100+ RTOS vendors. Products are available for 8-, 16-, 32-, and

even 64-bit microprocessors. Some of these packages are complete operating systems and include not only the real-time kernel but also an input/output manager, windowing systems (display), a file system, networking, language interface libraries, debuggers, and cross-platform compilers. The *development* cost to use an RTOS varies from 0 USD (US Dollars) to well over 30,000 USD. The RTOS vendor may also require *royalties* on a per-target-system basis. Royalties are like buying a chip from the RTOS vendor that you include with each unit sold. The RTOS vendors call this silicon software. The royalty fee varies between 5 USD to more than 500 USD per unit. Like any other software package these days, you also need to consider the maintenance cost, which can set you back another 15% of the development cost of the RTOS per year!

Real-Time Systems Summary

Table 2.2 summarizes the three types of real-time systems: foreground/background, non-preemptive kernel, and preemptive kernel.

	Foreground / Background	Non-Preemptive Kernel	Preemptive Kernel
Interrupt latency (Time)	MAX(Longest instruction, User int. disable) + Vector to ISR	MAX(Longest instruction, User int. disable, Kernel int. disable) + Vector to ISR	MAX(Longest instruction, User int. disable, Kernel int. disable) + Vector to ISR
Interrupt response (Time)	Int. latency + Save CPU's context	Int. latency + Save CPU's context	Interrupt latency + Save CPU's context + Kernel ISR entry function
Interrupt recovery (Time)	Restore background's context + Return from int.	Restore task's context + Return from int.	Find highest priority task + Restore highest priority task's context + Return from interrupt
Task response (Time)	Background	Longest task + Find highest priority task + Context switch	Find highest priority task + Context switch
ROM size	Application code	Application code + Kernel code	Application code + Kernel code
RAM size	Application RAM	Application RAM + Kernel RAM + SUM(Task stacks + MAX(ISR stack))	Application RAM + Kernel RAM + SUM(Task stacks + MAX(ISR stack))
Services available?	Application code must provide	Yes	Yes

Table - Table 2.2 Real-time systems summary.

Kernel Structure

This chapter describes some of the structural aspects of μC/OS-II. You will learn:

- How μC/OS-II handles access to critical sections of code
- What a task is, and how μC/OS-II knows about your tasks
- How tasks are scheduled
- How μC/OS-II determines the percent CPU your application is using
- How to write Interrupt Service Routines (ISRs)
- What a clock tick is and how μC/OS-II handles it
- How to initialize μC/OS-II
- How to start multitasking

Application Services

This chapter also describes the application services listed in table 3.1. The code for `OSSchedLock()` and `OSSchedUnlock()` can be disabled by setting `OS_SCHED_LOCK_EN` to 0 in `OS_CFG.H` as shown in table 3.1. You should note that the other services cannot be 'compiled out' because they are an integral part of the core services offered by μC/OS-II.

µC/OS-II Core Service	Enabled when set to 1 in OS_CFG.H
OS_ENTER_CRITICAL()	
OS_EXIT_CRITICAL()	
OSInit()	
OSStart()	
OSIntEnter()	
OSIntExit()	
OSSchedLock()	OS_SCHED_LOCK_EN
OSSchedUnlock()	OS_SCHED_LOCK_EN
OSVersion()	

Table - Table 3.1 Core services configuration constants in OS_CFG.H.

Figure 3.1 shows the µC/OS-II architecture and its relationship with the hardware. When you use µC/OS-II in an application, you are responsible for providing the Application Software and the µC/OS-II Configuration sections. This book and CD contain all the source code for the Processor-Independent Code section as well as the Processor-Specific Code section for the Intel 80x86, real mode, large model. If you intend to use µC/OS-II on a different processor, you need to either obtain a copy of a port for the processor you intend to use or write one yourself if the desired processor port is not available. Check the official µC/OS-II Web site at www.micrium.com for a list of available ports.

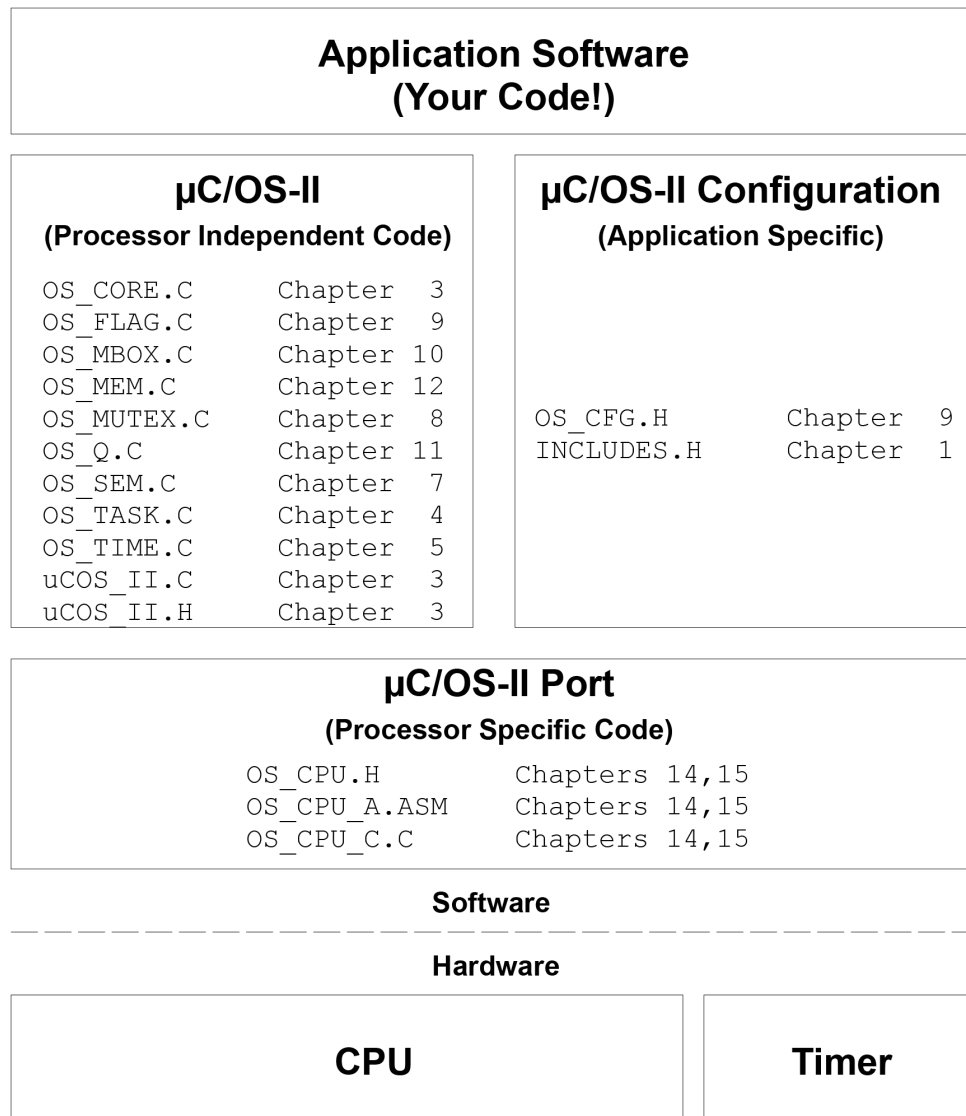


Figure - Figure 3.1 µC/OS-II File Structure

Critical Sections, OS_ENTER_CRITICAL() and OS_EXIT_CRITICAL()

µC/OS-II, like all real-time kernels, needs to disable interrupts in order to access critical sections of code and to re-enable interrupts when done. This allows µC/OS-II to protect critical code from being entered simultaneously from either multiple tasks or ISRs. The interrupt disable time is one of the most important specifications that a real-time kernel vendor can provide because it affects the responsiveness of your system to real-time events. µC/OS-II tries to keep the interrupt disable time to a minimum, but with µC/OS-II, interrupt disable time is largely dependent on the processor architecture and the quality of the code generated by the compiler.

Processors generally provide instructions to disable/enable interrupts, and your C compiler must have a mechanism to perform these operations directly from C. Some compilers allow you to insert in-line assembly language statements into your C source code. This makes it quite easy to insert processor instructions to enable and disable interrupts. Other compilers contain language extensions to enable and disable interrupts directly from C.

To hide the implementation method chosen by the compiler manufacturer, µC/OS-II defines two macros to disable and enable interrupts: `OS_ENTER_CRITICAL()` and `OS_EXIT_CRITICAL()`, respectively. Because these macros are processor specific, they are found in a file called `OS_CPU.H`. Each processor port thus has its own `OS_CPU.H` file.

`OS_ENTER_CRITICAL()` and `OS_EXIT_CRITICAL()` are always used in pair to wrap critical sections of code as shown below:

```
{
    .
    .
    OS_ENTER_CRITICAL();
    /* µC/OS-II critical code section */
    OS_EXIT_CRITICAL();
    .
    .
}
```

Your application can also use `OS_ENTER_CRITICAL()` and `OS_EXIT_CRITICAL()` to protect your own critical sections of code. Be careful, however, because your application will crash (i.e. hang) if you disable interrupts before calling a service such as `OSTimeDly()` (see chapter 5). This happens because the task is suspended until time expires, but because interrupts are disabled, you would never service the tick interrupt! Obviously, all the `PEND` calls are also subject to this problem, so be careful. As a general rule, you should always call µC/OS-II services with interrupts enabled!

`OS_ENTER_CRITICAL()` and `OS_EXIT_CRITICAL()` can be implemented using three different methods. The actual method used by your port depends on the capabilities of the processor as well as the compiler used (see Chapter 13, Porting µC/OS-II). The method used is selected by the `#define` constant `OS_CRITICAL_METHOD` which is defined in `OS_CPU.H` of the port you will be using for your application (i.e. product).

OS_CRITICAL_METHOD == 1

The first and simplest way to implement these two macros is to invoke the processor instruction to disable interrupts for `OS_ENTER_CRITICAL()` and the enable interrupts instruction for `OS_EXIT_CRITICAL()`. However, there is a little problem with this scenario. If you call a µC/OS-II function with interrupts disabled, on return from a µC/OS-II service (i.e. function), interrupts would be enabled! If you had disabled interrupts prior to calling µC/OS-II, you may want them to be disabled on return from the µC/OS-II function. In this case, this implementation would not be adequate. However, with some processors/compiler, this is the only method you can use.

OS_CRITICAL_METHOD == 2

The second way to implement `OS_ENTER_CRITICAL()` is to save the interrupt disable status onto the stack and then disable interrupts. `OS_EXIT_CRITICAL()` is simply implemented by restoring the interrupt status from the stack. Using this scheme, if you call a µC/OS-II service with interrupts either enabled or disabled, the status is preserved across the call. In other words, interrupts would be enabled after the call if they were enabled before the call and, interrupts would be disabled after the call if they were disabled before the call. Be careful when you call a µC/OS-II service with interrupts disabled because you are extending the interrupt latency of your application. The pseudo code for these macros is shown below:

```
#define OS_ENTER_CRITICAL() \
    asm(" PUSH  PSW") \
    asm(" DI")
#define OS_EXIT_CRITICAL() \
    asm(" POP  PSW")
```

Here, I'm assuming that your compiler will allow you to execute inline assembly language statements directly from your C code as shown above. You will need to consult your compiler documentation for this.

The PUSH PSW instruction pushes the 'Processor Status Word', PSW (also known as the condition code register or, processor flags) onto the stack. The DI instruction stands for 'Disable Interrupts'. Finally, the POP PSW instruction is assumed to restore the original state of the interrupt flag from the stack. The instructions I used are only for illustration purposes and may not be actual processor instructions.

Some compilers do not optimize inline code real well and thus, this method may not work because the compiler may not be 'smart' enough to know that the stack pointer was changed (by the PUSH instruction). Specifically, the processor you are using may provide a 'stack pointer relative' addressing mode which the compiler can use to access local variables or function arguments using and offset from the stack pointer. Of course, if the stack pointer is changed by the OS_ENTER_CRITICAL() macro then all these stack offsets may be wrong and would most likely lead to incorrect behavior.

OS_CRITICAL_METHOD == 3

Some compiler provides you with extensions that allow you to obtain the current value of the PSW (Processor Status Word) and save it into a local variable declared within a C function. The variable can then be used to restore the PSW back as shown in listing 3.1 Below.

```
void Some_uCOS_II_Service (arguments)
{
    OS_CPU_SR  cpu_sr      (1)

    .
    cpu_sr = get_processor_psw(); (2)
    disable_interrupts(); (3)
    .
    /* Critical section of code */ (4)
    .
    set_processor_psw(cpu_sr); (5)
    .
}
```

Listing - Listing 3.1. Saving and restoring the PSW

- (1) OS_CPU_SR is a µC/OS-II data type that is declared in the processor specific file OS_CPU.H. When you select this critical section method, OS_ENTER_CRITICAL() and OS_EXIT_CRITICAL() always assume the presence of the cpu_sr variable. In other words, if you use this method to protect your own critical sections, you will need to declare a cpu_sr variable in your function.
- (2) To enter a critical section, a function provided by the compiler vendor is called to obtain the current state of the PSW (condition code register, processor flags or whatever else this register is called for your processor). I called this function get_processor_psw() for sake of discussion but it will likely have a different name for your compiler.

- (3) Another compiler provided function (`disable_interrupt()`) is called to, of course, disable interrupts.
- (4) At this point, the critical code can be execute.
- (5) Once the critical section has completed, interrupts can be re-enabled by calling another compiler specific extension that, for sake of discussion, I called `set_processor_psw()`. The function receives as an argument the previous state of the PSW. It's assumed that this function will restore the processor PSW to this value.

Because I don't know what the compiler functions are (there is no standard naming convention), the µC/OS-II macros are used to encapsulate the functionality as follows:

```
#define OS_ENTER_CRITICAL() \
    cpu_sr = get_processor_psw(); \
    disable_interrupts(); \
#define OS_EXIT_CRITICAL() \
    set_processor_psw(cpu_sr);
```

Tasks

A task is typically an infinite loop function as shown in Listing 3.2.

```
void YourTask (void *pdata) (1)
{
    for (;;) { (2)
        /* USER CODE */
        Call one of uC/OS-II's services:
        OSFlagPend();
        OSMboxPend();
        OSMutexPend();
        OSQPend();
        OSSemPend();
        OSTaskDel(OS_PRIO_SELF);
        OSTaskSuspend(OS_PRIO_SELF);
        OSTimeDly();
        OSTimeDlyHMSM();
        /* USER CODE */
    }
}
```

Listing - Listing 3.2 A task is an infinite loop.

- (1) The return type must always be declared void. An argument is passed to your task code when the task first starts executing. Notice that the argument is a pointer to a void. This allows your application to pass just about any kind of data to your task. The pointer is a “universal” vehicle used to pass your task the address of a variable, a structure, or even the address of a function if necessary! It is possible (see Example 1 in Chapter 1) to create many identical tasks, all using the same function (or task body). For example, you could have four asynchronous serial ports that each are managed by their own task. However, the task code is actually identical. Instead of copying the code four times, you can create a task that receives a pointer to a data structure that defines the serial port’s parameters (baud rate, I/O port addresses, interrupt vector number, etc.) as an argument.
- (2) You could also use a `while (1)` statement, if you prefer. A task looks just like any other C function containing a return type and an argument, but it never returns.

Alternatively, the task can delete itself upon completion as shown in Listing 3.3. Note that the task code is not actually deleted; µC/OS-II simply doesn’t know about the task anymore, so the task code will not run. Also, if the task calls `OSTaskDel()`, the task never returns.

```
void YourTask (void *pdata)
{
    /* USER CODE */
    OSTaskDel(OS_PRIO_SELF);
}
```

Listing - Listing 3.3 A task that deletes itself when done.

µC/OS-II can manage up to 64 tasks; however, the current version of µC/OS-II uses two tasks for system use. I *recommend* that you don’t use priorities 0, 1, 2, 3, `OS_LOWEST_PRIO-3`, `OS_LOWEST_PRIO-2`, `OS_LOWEST_PRIO-1`, and `OS_LOWEST_PRIO` because I may use them in future versions µC/OS-II. However, if you need to keep your application as tight as possible then go ahead and use whatever priorities you need as long as you don’t use `OS_LOWEST_PRIO`. `OS_LOWEST_PRIO` is a `#define` constant defined in the file `OS_CFG.H`. Therefore, you can have up to 63 of your own application tasks unless you decide to not use the top and bottom four priorities as I recommend. In this case, you would have up to 56 of your own tasks.

Each task must be assigned a unique priority level from 0 to `OS_LOWEST_PRIO-2`, inclusively. The lower the priority number, the higher the priority of the task. μC/OS-II always executes the highest priority task ready to run. In the current version of μC/OS-II, the task priority number also serves as the task identifier. The priority number (i.e., task identifier) is used by some kernel services such as `OSTaskChangePrio()` and `OSTaskDel()`.

In order for μC/OS-II to manage your task, you must “create” a task by passing its address along with other arguments to one of two functions: `OSTaskCreate()` or `OSTaskCreateExt()`. `OSTaskCreateExt()` is an extended version of `OSTaskCreate()` and provides additional features. These two functions are explained in Chapter 4, Task Management.

Task States

Figure 3.2 shows the state transition diagram for tasks under μC/OS-II. At any given time, a task can be in any one of five states.

The TASK DORMANT state corresponds to a task that resides in program space (ROM or RAM) but has not been made available to μC/OS-II. A task is made available to μC/OS-II by calling either `OSTaskCreate()` or `OSTaskCreateExt()`. These calls are simply used to tell μC/OS-II the starting address of your task, what priority you want to give to the task being ‘created’, how much stack space will your task use and so on. When a task is created, it is made ready to run and placed in the TASK READY state. Tasks may be created before multitasking starts or dynamically by a running task. If multitasking has started and a task created by another task has a higher priority than its creator, the created task is given control of the CPU immediately. A task can return itself or another task to the dormant state by calling `OSTaskDel()`.

Multitasking is started by calling `OSStart()`. `OSStart()` MUST only be called once during startup and starts the highest priority task that has been created during your initialization code. The highest priority task is thus placed in the TASK RUNNING state. Only one task can be running at any given time. A ready task will not run until all higher priority tasks are either placed in the wait state or are deleted.

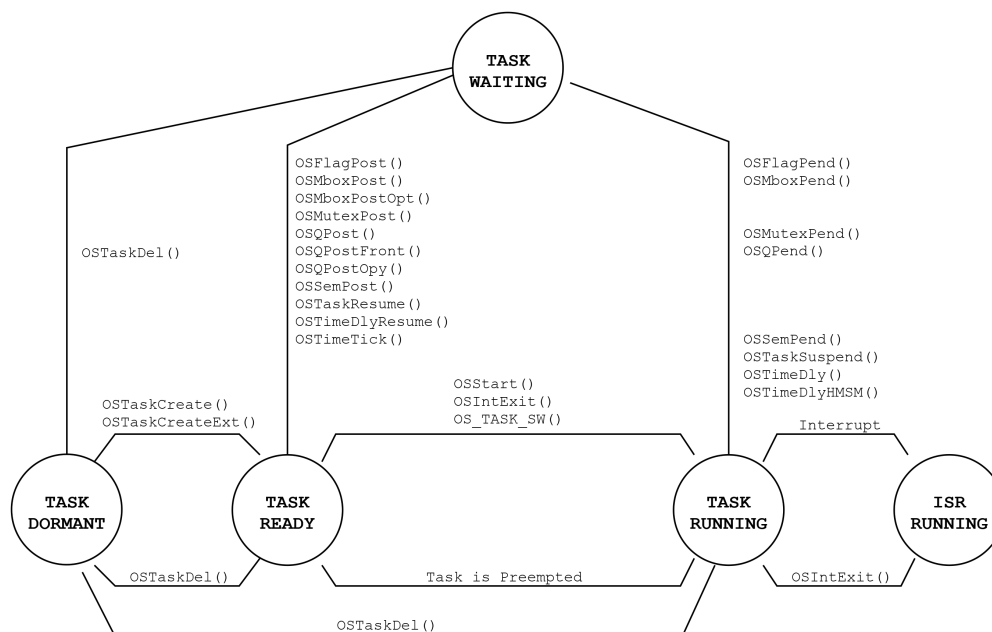


Figure - Figure 3.2 Task states

The running task may delay itself for a certain amount of time by calling either `OSTimeDly()` or `OSTimeDlyHMSM()`. This task would be placed in the `TASK WAITING` state until the time specified in the call expires. Both of these functions force an immediate context switch to the next highest priority task that is ready to run. The delayed task is made ready to run by `OSTimeTick()` when the desired time delay expires (see section 3.??, Clock Tick). `OSTimeTick()` is an internal function to µC/OS-II and thus, you don't have to actually call this function from your code.

The running task may also need to wait until an event occurs by calling either `OSFlagPend()`, `OSSemPend()`, `OSMutexPend()`, `OSMBboxPend()`, or `OSQPend()`. If the event did not already occur, the task that calls one of these functions is placed in the `TASK WAITING` state until the occurrence of the event. When a task pends on an event, the next highest priority task is immediately given control of the CPU. The task is made ready when the event occurs or, when a timeout expires. The occurrence of an event may be signaled by either another task or an ISR.

A running task can always be interrupted, unless the task or µC/OS-II disables interrupts as we have seen. The task thus enters the `ISR RUNNING` state. When an interrupt occurs, execution of the task is suspended and the ISR takes control of the CPU. The ISR may make one or more tasks ready to run by signaling one or more events. In this case, before returning from the ISR, µC/OS-II determines if the interrupted task is still the highest priority task ready to run. If a

higher priority task is made ready to run by the ISR, the new highest priority task is resumed; otherwise, the interrupted task is resumed.

When all tasks are waiting either for events or for time to expire, μC/OS-II executes an internal task called the idle task, `OS_TaskIdle()`.

Task Control Blocks (OS_TCBs)

When a task is created, it is assigned a Task Control Block, `OS_TCB` (Listing 3.??). A task control block is a data structure that is used by μC/OS-II to maintain the state of a task when it is preempted. When the task regains control of the CPU, the task control block allows the task to resume execution exactly where it left off. All `OS_TCBs` reside in RAM. You will notice that I organized its fields to allow for data structure packing while maintaining a logical grouping of members.

```
typedef struct os_tcb {
    OS_STK          *OSTCBStkPtr;

    #if OS_TASK_CREATE_EXT_EN > 0
        void          *OSTCBExtPtr;
        OS_STK        *OSTCBStkBottom;
        INT32U        OSTCBStkSize;
        INT16U        OSTCB0pt;
        INT16U        OSTCBId;
    #endif

        struct os_tcb *OSTCBNext;
        struct os_tcb *OSTCBPrev;

    #if OS_TASK_CREATE_EXT_EN > 0u
    #if defined(OS_TLS_TBL_SIZE) && (OS_TLS_TBL_SIZE > 0u)
        OS_TLS        OSTCBTLStbl[OS_TLS_TBL_SIZE];
    #endif
    #endif

    #if ((OS_Q_EN > 0u) && (OS_MAX_QS > 0u)) || (OS_MBOX_EN > 0u) || (OS_SEM_EN > 0u) || (OS_MUTEX_EN > 0u)
        OS_EVENT      *OSTCBEvtPtr;
    #endif

    #if (OS_EVENT_EN) && (OS_EVENT_MULTI_EN > 0u)
        OS_EVENT      **OSTCBEvtMultiPtr;
    #endif

    #if ((OS_Q_EN &gt; 0) && (OS_MAX_QS > 0)) || (OS_MBOX_EN > 0)
        void          *OSTCBMsg;
    #endif

    #if (OS_FLAG_EN > 0u) && (OS_MAX_FLAGS > 0u)
    #if OS_TASK_DEL_EN > 0
        OS_FLAG_NODE  *OSTCBFlagNode;
    #endif
        OS_FLAGS      OSTCBFlagsRdy;
    #endif

        INT16U        OSTCBDly;
        INT8U         OSTCBStat;
        INT8U         OSTCBStatPend;
        INT8U         OSTCBPrio;

        INT8U         OSTCBX;
        INT8U         OSTCBY;
        INT8U         OSTCBBitX;
        INT8U         OSTCBBitY;

    #if OS_TASK_DEL_EN > 0u
        BOOLEAN       OSTCBDelReq;
    #endif

    #if OS_TASK_PROFILE_EN > 0u
        INT32U        OSTCBCtxSwCtr;
        INT32U        OSTCBCyclesTot;
        INT32U        OSTCBCyclesStart;
        OS_STK        *OSTCBStkBase;
        INT32U        OSTCBStkUsed;
    #endif
    #if OS_TASK_NAME_EN > 0u
        INT8U         *OSTCBTaskName;
    #endif

    #if OS_TASK_REG_TBL_SIZE > 0u
        INT32U        OSTCBRegTbl[OS_TASK_REG_TBL_SIZE];
    #endif
};
```

```
} OS_TCB;
```

Listing - Listing 3.4 The µC/OS-II task control block.

.OSTCBStkPtr

contains a pointer to the current top-of-stack for the task. µC/OS-II allows each task to have its own stack, but just as important, each stack can be any size. Some commercial kernels assume that all stacks are the same size unless you write complex hooks. This limitation wastes RAM when all tasks have different stack requirements because the largest anticipated stack size has to be allocated for all tasks. `.OSTCBStkPtr` should be the only field in the `OS_TCB` data structure which is accessed from assembly language code (from the context-switching code). I decided to place `.OSTCBStkPtr` as the first entry in the structure to make accessing this field easier from assembly language code (it ought to be at offset zero).

.OSTCBExtPtr

is a pointer to a user-definable task control block extension. This allows you or the user of µC/OS-II to extend the task control block without having to change the source code for µC/OS-II. `.OSTCBExtPtr` is only used by `OSTaskCreateExt()`, so you need to set `OS_TASK_CREATE_EXT_EN` in `OS_CFG.H` to 1 to enable this field. Once enabled, you could use `.OSTCBExtPtr` to point to a data structure that contains the name of the task, keep track of the execution time of the task, or the number of times a task has been switched-in (see Example 3 in Chapter 1). Notice that I decided to place this pointer immediately after the stack pointer in case you need to access this field from assembly language. This makes calculating the offset from the beginning of the data structure easier.

.OSTCBStkBottom

is a pointer to the bottom of the task's stack. If the processor's stack grows from high-to-low memory locations, then `.OSTCBStkBottom` will point at the lowest valid memory location for the stack. Similarly, if the processor's stack grows from low-to-high memory locations, then `.OSTCBStkBottom` will point at the highest valid stack address. `.OSTCBStkBottom` is used by `OSTaskStkChk()` to check the size of a task's stack at run time. This allows you to determine the amount of free stack space available for each stack. Stack checking can only occur if you create a task with `OSTaskCreateExt()`, so you need to set `OS_TASK_CREATE_EXT_EN` in `OS_CFG.H` to 1 to enable this field.

.OSTCBStkSize

holds the size of the stack in number of elements instead of bytes (`OS_STK` is declared in `OS_CPU.H`). This means that if a stack contains 1,000 entries and each entry is 32 bits wide, then the actual size of the stack is 4,000 bytes. Similarly, a stack where entries are 16 bits wide would contain 2,000 bytes for the same 1,000 entries. `.OSTCBStkSize` is used by `OSTaskStkChk()`. Again, this field is valid only if you set `OS_TASK_CREATE_EXT_EN` in `OS_CFG.H` to 1.

.OSTCBOpt

holds “options” that can be passed to `OSTaskCreateExt()`, so this field is valid only if you set `OS_TASK_CREATE_EXT_EN` in `OS_CFG.H` to 1. µC/OS-II currently defines only three options (see `uCOS_II.H`): `OS_TASK_OPT_STK_CHK`, `OS_TASK_OPT_STK_CLR`, and `OS_TASK_OPT_SAVE_FP`.

`OS_TASK_OPT_STK_CHK` is used to specify to `OSTaskCreateExt()` that stack checking is enabled for the task being created. Stack checking is not performed automatically by µC/OS-II because I didn't want to use valuable of CPU time unless you actually want to do stack checking. Stack checking is performed by your application code by calling `OSTaskStkChk()` (see Chapter 4, Task Management).

`OS_TASK_OPT_STK_CLR` indicates that the stack needs to be cleared (i.e. µC/OS-II writes zeros in every location of the stack) when the task is created. The stack only needs to be cleared if you intend to do stack checking. If you do not specify `OS_TASK_OPT_STK_CLR` and you then create and delete tasks, stack checking will report incorrect stack usage. If you never delete a task once it's created and your startup code clears all RAM, you can save valuable execution time by NOT specifying this option. Passing `OS_TASK_OPT_STK_CLR` increases the execution time of `OSTaskCreateExt()` because it clears the content of the stack. The larger your stack, the longer it takes. Again, stack checking is invoked by your application code and not automatically by µC/OS-II.

`OS_TASK_OPT_SAVE_FP` tells `OSTaskCreateExt()` that the task will be doing floating-point computations. If the processor provides hardware-assisted floating-point capability, the floating-point registers need to be saved for the task being created and during a context switch.

.OSTCBId

is used to hold an identifier for the task. This field is currently not used and has only been included for future expansion.

.OSTCBNext and .OSTCBPrev

are used to doubly link OS_TCBs. The forward link (pointed to by .OSTCBNext) chain of OS_TCBs is used by OSTimeTick() to update the .OSTCBDly field for each task. The OS_TCB for each task is linked (using both pointers) when the task is created, and the OS_TCB is removed from the list when the task is deleted. A doubly linked list permits an element in the chain to be quickly inserted or removed.

.OSTCBEventPtr

is a pointer to an event control block and is described later (see Chapter 6, Event Control Blocks).

.OSTCBMsg

is a pointer to a message that is sent to a task. The use of this field is described later (see Chapter 10 and 11).

.OSTCBFlagNode

is a pointer to an event flag node (see Chapter 9, Event Flag Management). This field is only used by OSTaskDel() when we are deleting a task that waits on an event flag group. This field is present in the OS_TCB only when OS_FLAG_EN in OS_CFG.H is set to 1.

.OSTCBFlagsRdy

contains the event flags that made the task ready to run when the task was waiting on an event flag group (see Chapter 9, Event Flag Management). This field is present in the OS_TCB only when OS_FLAG_EN in OS_CFG.H is set to 1.

.OSTCBDly

is used when a task needs to be delayed for a certain number of clock ticks or a task needs to pend for an event to occur with a timeout. In this case, this field contains the number of clock ticks the task is allowed to wait for the event to occur. When this variable is 0, the task is not delayed or has no timeout when waiting for an event.

.OSTCBStat

contains the state of the task. When .OSTCBStat is 0, the task is ready to run. Other values can be assigned to .OSTCBStat, and these values are described in uCOS_II.H (see OS_STAT_???).

.OSTCBPrio

contains the task priority. A high-priority task has a low .OSTCBPrio value (i.e., the lower the number, the higher the actual priority).

.OSTCBX, .OSTCBY, .OSTCBBitX, and .OSTCBBitY

are used to accelerate the process of making a task ready to run or to make a task wait for an event (to avoid computing these values at run time). The values for these fields are computed when the task is created or when the task's priority is changed. The values are obtained as shown in Listing 3.5.

```
OSTCBY      = priority >> 3;
OSTCBBitY   = OSMaPtbl[priority >> 3];
OSTCBX      = priority & 0x07;
OSTCBBitX   = OSMaPtbl[priority & 0x07];
```

Listing - Listing 3.5 Calculating

.OSTCBDeIReq

is a boolean used to indicate whether or not a task requested that the current task be deleted. The use of this field is described later (see Chapter 4, Task Management). This field is present in the OS_TCB only when OS_TASK_DEL_EN in OS_CFG.H is set to 1.

You probably noticed that some of the fields in the OS_TCB structured are wrapped with

conditional compilation statements. This is done to allow you to reduce the amount of RAM needed by µC/OS-II if you don't need all the features that µC/OS-II provides.

The maximum number of tasks (OS_MAX_TASKS) that an application can have is specified in OS_CFG.H and determines the number of OS_TCBs allocated for your application. You can reduce the amount of RAM needed by setting OS_MAX_TASKS to the actual number of tasks needed in your application. All OS_TCBs are placed in OSTCBTb1[]. Note that µC/OS-II allocates OS_N_SYS_TASKS (see uCOS_II.H) extra OS_TCBs for internal use. Currently, one is used for the idle task, and another is used for the statistic task (if OS_TASK_STAT_EN in OS_CFG.H is set to 1). When µC/OS-II is initialized, all OS_TCBs in the table are linked in a singly-linked list of free OS_TCBs, as shown in Figure 3.3. When a task is created, the OS_TCB pointed to by OSTCBFreeList is assigned to the task, and OSTCBFreeList is adjusted to point to the next OS_TCB in the chain. When a task is deleted, its OS_TCB is returned to the list of free OS_TCBs.

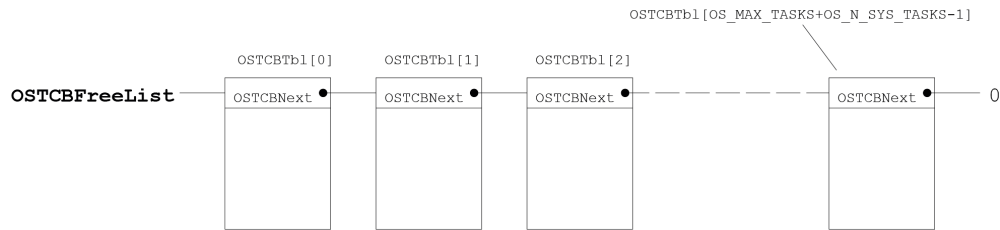


Figure - Figure 3.3 List of free OS_TCBs

An OS_TCB is initialized by the function OS_TCBInit() (see Listing 3.6) when a task is created. OS_TCBInit() is called by either OSTaskCreate() or OSTaskCreateExt() (see Chapter 4, Task Management). OS_TCBInit() receives seven arguments:

prio	is the task priority,
ptos	is a pointer to the top of stack once the stack frame has been built by OSTaskStkInit() (will be described in Chapter 13, Porting µC/OS-II) and is stored in the .OSTCBStkPtr field of the OS_TCB.
pbos	is a pointer to the stack bottom and is stored in the .OSTCBStkBottom field of the OS_TCB.
id	is the task identifier and is saved in the .OSTCBId field.
stk_size	is the total size of the stack and is saved in the .OSTCBStkSize field of the OS_TCB.

pext	is the value to place in the .OSTCBEtPtr field of the OS_TCB.
opt	is the OS_TCB options and is saved in the .OSTCBOpt field.


```

INT8U OS_TCBInit (INT8U  prio,
                  OS_STK *ptos,
                  OS_STK *pbos,
                  INT16U  id,
                  INT32U  stk_size,
                  void    *pext,
                  INT16U  opt)
{
    #if OS_CRITICAL_METHOD == 3
        OS_CPU_SR cpu_sr;
    #endif
    OS_TCB *ptcb;
    #if OS_TASK_REG_TBL_SIZE > 0u
        INT8U i;
    #endif
    #if OS_TASK_CREATE_EXT_EN > 0u
    #if defined(OS_TLS_TBL_SIZE) && (OS_TLS_TBL_SIZE > 0u)
        INT8U j;
    #endif
    #endif

    OS_ENTER_CRITICAL();
    ptcb = OSTCBFreeList;                                     (1)
    if (ptcb != (OS_TCB *)0) {                               (2)
        OSTCBFreeList = ptcb->OSTCBNext;
        OS_EXIT_CRITICAL();
        ptcb->OSTCBStkPtr = ptos;                             (3)
        ptcb->OSTCBPrio  = (INT8U)prio;
        ptcb->OSTCBStat  = OS_STAT_RDY;
        ptcb->OSTCBStatPend = OS_STAT_PEND_OK;
        ptcb->OSTCBDly   = 0;
    #if OS_TASK_CREATE_EXT_EN > 0u
        ptcb->OSTCBExtPtr = pext;                             (4)
        ptcb->OSTCBStkSize = stk_size;
        ptcb->OSTCBStkBottom = pbos;
        ptcb->OSTCBOpt     = opt;
        ptcb->OSTCBId     = id;
    #else
        pext      = pext;
        stk_size  = stk_size;
        pbos      = pbos;
        opt       = opt;
        id        = id;
    #endif
    #endif

    #if OS_TASK_DEL_EN > 0u
        ptcb->OSTCBDelReq = OS_ERR_NONE;                       (5)
    #endif

    #if OS_LOWEST_PRIO <= 63u
        ptcb->OSTCBY      = (INT8U)(prio >> 3u);              (6)
        ptcb->OSTCBX      = (INT8U)(prio & 0x07u);
    #else
        ptcb->OSTCBY      = (INT8U)((INT8U)(prio >> 4u) & 0xFFu);
        ptcb->OSTCBX      = (INT8U)(prio & 0x0Fu);
    #endif

    ptcb->OSTCBBitY      = (OS_PRIO)(1uL << ptcb->OSTCBY);
    ptcb->OSTCBBitX      = (OS_PRIO)(1uL << ptcb->OSTCBX);

    #if OS_EVENT_EN > 0u
        ptcb->OSTCBEvtPtr = (OS_EVENT *)0;                   (7)
    #if (OS_EVENT_MULTI_EN > 0u)
        ptcb->OSTCBEvtMultiPtr = (OS_EVENT **)0;
    #endif
    #endif
}

```

```

#endif

#endif

#if (OS_FLAG_EN > 0u) && (OS_MAX_FLAGS > 0u) && (OS_TASK_DEL_EN > 0u)
    ptcb->OSTCBFlagNode = (OS_FLAG_NODE *)0;
#endif
(8)

#if OS_MBOX_EN || (OS_Q_EN && (OS_MAX_QS >= 2))
    ptcb->OSTCBMsg = (void *)0;
#endif

#if OS_TASK_PROFILE_EN > 0u
    ptcb->OSTCBCtxSwCtr = 0uL;
    ptcb->OSTCBCyclesStart = 0uL;
    ptcb->OSTCBCyclesTot = 0uL;
    ptcb->OSTCBStkBase = (OS_STK *)0;
    ptcb->OSTCBStkUsed = 0uL;
#endif

#if OS_TASK_NAME_EN > 0u
    ptcb->OSTCBTaskName = (INT8U *) (void *)"?";
#endif

#if OS_TASK_REG_TBL_SIZE > 0u
    for (i = 0u; i < OS_TASK_REG_TBL_SIZE; i++) {
        ptcb->OSTCBRegTbl[i] = 0u;
    }
#endif

OSTCBInitHook(ptcb);
(9)

OS_ENTER_CRITICAL();
OSTCBPrioTbl[prio] = ptcb;
OS_EXIT_CRITICAL();
(10)

OSTaskCreateHook(ptcb);
(11)

#if OS_TASK_CREATE_EXT_EN > 0u
#if defined(OS_TLS_TBL_SIZE) && (OS_TLS_TBL_SIZE > 0u)
    for (j = 0u; j < OS_TLS_TBL_SIZE; j++) {
        ptcb->OSTCBTLSTbl[j] = (OS_TLS)0;
    }
    OS_TLS_TaskCreate(ptcb);
#endif
#endif

OS_ENTER_CRITICAL();
(12)
ptcb->OSTCBNext = OSTCBList;
ptcb->OSTCBPrev = (OS_TCB *)0;
if (OSTCBList != (OS_TCB *)0) {
    OSTCBList->OSTCBPrev = ptcb;
}
OSTCBList = ptcb;
OSRdyGrp |= ptcb->OSTCBBitY;
OSRdyTbl[ptcb->OSTCBBY] |= ptcb->OSTCBBitX;
OSTaskCtr++;
OS_EXIT_CRITICAL();
(13)
return (OS_ERR_NONE);
(14)
}
OS_EXIT_CRITICAL();
return (OS_NO_MORE_TCB);
}

```

Listing - Listing 3.6

- (1) `OS_TCBInit()` first tries to obtain an `OS_TCB` from the `OS_TCB` pool.
- (2) & (3) If the pool contains a free `OS_TCB`, it is initialized. Note that once an `OS_TCB` is allocated, `OS_TCBInit()` can re-enable interrupts because at this point the creator of the task owns the `OS_TCB` and it cannot be corrupted by another concurrent task creation. `OS_TCBInit()` can thus proceed to initialize some of the `OS_TCB` fields with interrupts enabled.
- (4) If you enabled code generation for `OSTaskCreateExt()` (`OS_TASK_CREATE_EXT_EN` is set to 1 in `OS_CFG.H`) then additional fields in `OS_TCB` are filled-in.
- (5) The presence of the flag `.OSTCBDelReq` in `OS_TCB` depends on whether `OS_TASK_DEL_EN` has been enabled (see `OS_CFG.H`). In other words, if you never intend to delete tasks, you can save yourself the storage area of a `BOOLEAN` in every single `OS_TCB`.
- (6) In order to save a bit of processing time during scheduling, `OS_TCBInit()` precalculates some fields. I decided to exchange execution time in favor of data space storage.
- (7) If you don't intend to use any semaphores, mutexes, message mailboxes and message queues in your application then the field `.OSTCBEventPtr` in the `OS_TCB` would not be present.
- (8) If you enabled event flags (i.e. you set `OS_FLAGS_EN` to 1 in `OS_CFG.H`) then the pointer to an event flag node is initialized to point to nothing because the task is not waiting for an event flag, it's only being created.
- (9) In V2.04, I added a call to a function that can be defined in the processor's port file – `OSTCBInitHook()`. This allows you to add extensions to the `OS_TCB`. For example, you could initialize and store the contents of floating-point registers, MMU registers, or anything else that can be associated with a task. However, you would typically store this additional information in memory that would be allocated by your application. Note that interrupts are enabled when `OS_TCBInit()` calls `OSTCBInitHook()`.
- (10) `OS_TCBInit()` disables interrupts when it needs to insert the `OS_TCB` into the doubly linked list of tasks that have been created.
- (11) `OS_TCBInit()` then calls `OSTaskCreateHook()`, which is a user-specified function that

allows you to extend the functionality of `OSTaskCreate()` or `OSTaskCreateExt()`. `OSTaskCreateHook()` can be declared either in `OS_CPU_C.C` (if `OS_CPU_HOOKS_EN` is set to 1) or elsewhere (if `OS_CPU_HOOKS_EN` is set to 0). Note that interrupts are enabled when `OSTCBInit()` calls `OSTaskCreateHook()`.

You should note that I could have called only one of the two hook functions: `OSTCBInitHook()` or `OSTaskCreateHook()`. The reason there are two functions is to allow you to group (i.e. encapsulate) items that are tied with the `OS_TCB` in `OSTCBInitHook()` and other task related initialization in `OSTaskCreateHook()`.

- (12) The list starts at `OSTCBList`, and the `OS_TCB` of a new task is always inserted at the beginning of the list.
- (13) & (14) Finally, the task is made ready to run, and `OSTCBInit()` returns to its caller [`OSTaskCreate()` or `OSTaskCreateExt()`] with a code indicating that an `OS_TCB` has been allocated and initialized.

Ready List

Each task is assigned a unique priority level between 0 and `OS_LOWEST_PRIO`, inclusive (see `OS_CFG.H`). Task priority `OS_LOWEST_PRIO` is always assigned to the idle task when µC/OS-II is initialized. Note that `OS_MAX_TASKS` and `OS_LOWEST_PRIO` are unrelated. You can have only 10 tasks in an application while still having 32 priority levels (if you set `OS_LOWEST_PRIO` to 31).

Each task that is ready to run is placed in a ready list consisting of two variables, `OSRdyGrp` and `OSRdyTbl[]`. Task priorities are grouped (eight tasks per group) in `OSRdyGrp`. Each bit in `OSRdyGrp` indicates when a task in a group is ready to run. When a task is ready to run, it also sets its corresponding bit in the ready table, `OSRdyTbl[]`. The size of `OSRdyTbl[]` depends on `OS_LOWEST_PRIO` (see `uCOS_II.H`). This allows you to reduce the amount of RAM (data space) needed by µC/OS-II when your application requires few task priorities.

To determine which priority (and thus which task) will run next, the scheduler in µC/OS-II determines the lowest priority number that has its bit set in `OSRdyTbl[]`. The relationship between `OSRdyGrp` and `OSRdyTbl[]` is shown in Figure 3.4 and is given by the following rules.

Bit 0 in `OSRdyGrp` is 1 when any bit in `OSRdyTbl[0]` is 1.

Bit 1 in OSRdyGrp is 1 when any bit in OSRdyTb1[1] is 1.

Bit 2 in OSRdyGrp is 1 when any bit in OSRdyTb1[2] is 1.

Bit 3 in OSRdyGrp is 1 when any bit in OSRdyTb1[3] is 1.

Bit 4 in OSRdyGrp is 1 when any bit in OSRdyTb1[4] is 1.

Bit 5 in OSRdyGrp is 1 when any bit in OSRdyTb1[5] is 1.

Bit 6 in OSRdyGrp is 1 when any bit in OSRdyTb1[6] is 1.

Bit 7 in OSRdyGrp is 1 when any bit in OSRdyTb1[7] is 1.

The code in Listing 3.7 is used to place a task in the ready list. prio is the task's priority.

```
OSRdyGrp      |= OSMapTb1[prio >> 3];  
OSRdyTb1[prio >> 3] |= OSMapTb1[prio & 0x07];
```

Listing - Listing 3.7 Making a task ready to run.

As you can see from Figure 3.4, the lower three bits of the task's priority are used to determine the bit position in OSRdyTb1[], and the next three most significant bits are used to determine the index into OSRdyTb1[]. Note that OSMapTb1[] (see OS_CORE.C) is in ROM and is used to equate an index from 0 to 7 to a bit mask, as shown in Table 3.1.

Table 3.1 Contents of OSMapTb1[].

Index	Bit Mask (Binary)
0	00000001
1	00000010
2	00000100

3	00001000
4	00010000
5	00100000
6	01000000
7	10000000

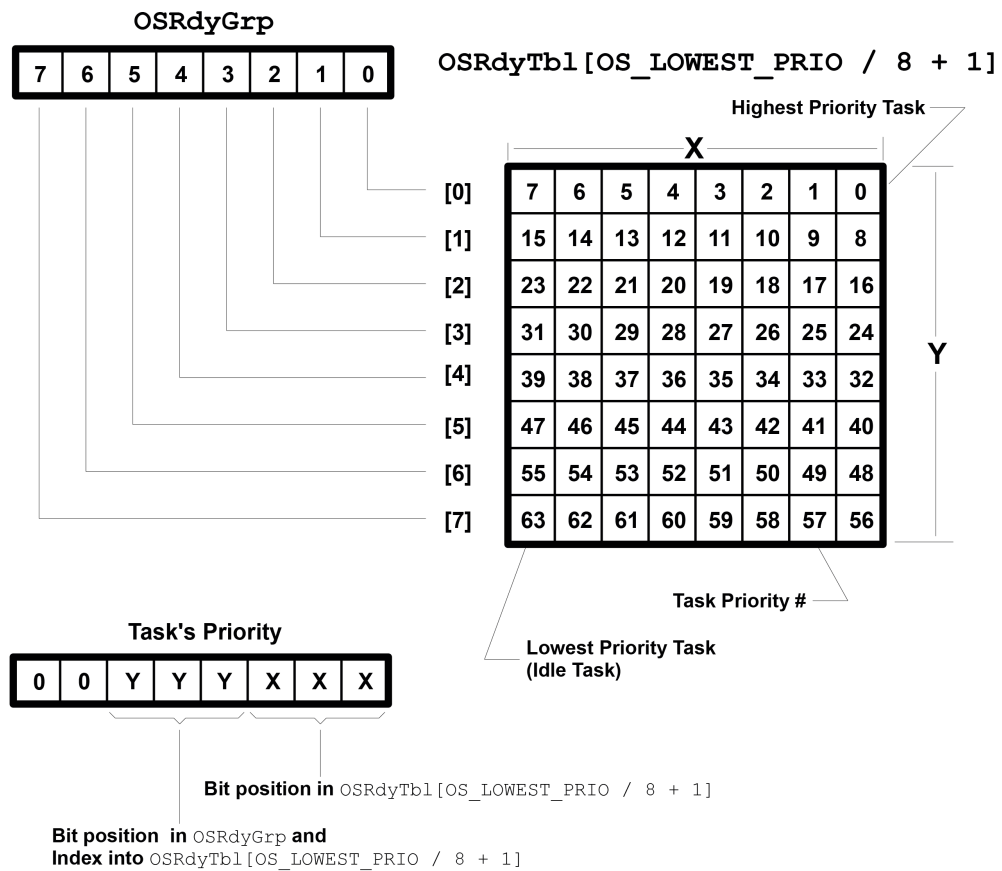


Figure - Figure 3.4 The µC/OS-II ready list

A task is removed from the ready list by reversing the process using the code in Listing 3.8.

```
if ((OSRdyTbl[prio >> 3] & ~OSMapTbl[prio & 0x07]) == 0)
    OSRdyGrp &= ~OSMapTbl[prio >> 3];
```

Listing - Listing 3.8 Removing a task from the ready list.

This code clears the ready bit of the task in `OSRdyTbl[]` and clears the bit in `OSRdyGrp` only if all tasks in a group are not ready to run; that is, all bits in `OSRdyTbl[prio >> 3]` are 0. Another table lookup is performed, rather than scanning through the table starting with `OSRdyTbl[0]`, to find the highest priority task ready to run. `OSUnMapTbl[256]` is a priority resolution table (see `OS_CORE.C`). Eight bits represent when tasks are ready in a group. The least significant bit has the highest priority. Using this byte to index `OSUnMapTbl[]` returns the bit position of the highest priority bit set — a number between 0 and 7. Determining the priority of the highest priority task ready to run is accomplished with the code in Listing 3.9.

```
y = OSUnMapTbl[OSRdyGrp]; /* Determine Y position in OSRdyTbl[] */
x = OSUnMapTbl[OSRdyTbl[y]]; /* Determine X position in OSRdyTbl[Y] */
prio = (y << 3) + x;
```

Listing - Listing 3.9 Finding the highest priority task ready to run.

For example, as shown in Figure 3.5, if `OSRdyGrp` contains 01101000 (binary) or 0x68, then the table lookup `OSUnMapTbl[OSRdyGrp]` yields a value of 3, which corresponds to bit 3 in `OSRdyGrp`. Note that bit positions are assumed to start on the right with bit 0 being the rightmost bit. Similarly, if `OSRdyTbl[3]` contains 11100100 (binary) or 0xE4, then `OSUnMapTbl[OSRdyTbl[3]]` results in a value of 2 (bit 2). The task priority (`prio`) is then 26 (i.e. $3 \times 8 + 2$). Getting a pointer to the `OS_TCB` for the corresponding task is done by indexing into `OSTCBPrioTbl[]` using the task's priority.

```

                                OSRdyGrp contains 0x68
INT8U const OSUnMapTbl[] = {
0, 0, 1, 0, 2, 0, 1, 0, 3, 0, 1, 0, 2, 0, 1, 0, /* 0x00 to 0x0F */
4, 0, 1, 0, 2, 0, 1, 0, 3, 0, 1, 0, 2, 0, 1, 0, /* 0x10 to 0x1F */
5, 0, 1, 0, 2, 0, 1, 0, 3, 0, 1, 0, 2, 0, 1, 0, /* 0x20 to 0x2F */
4, 0, 1, 0, 2, 0, 1, 0, 3, 0, 1, 0, 2, 0, 1, 0, /* 0x30 to 0x3F */
6, 0, 1, 0, 2, 0, 1, 0, 3, 0, 1, 0, 2, 0, 1, 0, /* 0x40 to 0x4F */
4, 0, 1, 0, 2, 0, 1, 0, 3, 0, 1, 0, 2, 0, 1, 0, /* 0x50 to 0x5F */
5, 0, 1, 0, 2, 0, 1, 0, 3, 0, 1, 0, 2, 0, 1, 0, /* 0x60 to 0x6F */
4, 0, 1, 0, 2, 0, 1, 0, 3, 0, 1, 0, 2, 0, 1, 0, /* 0x70 to 0x7F */
7, 0, 1, 0, 2, 0, 1, 0, 3, 0, 1, 0, 2, 0, 1, 0, /* 0x80 to 0x8F */
4, 0, 1, 0, 2, 0, 1, 0, 3, 0, 1, 0, 2, 0, 1, 0, /* 0x90 to 0x9F */
5, 0, 1, 0, 2, 0, 1, 0, 3, 0, 1, 0, 2, 0, 1, 0, /* 0xA0 to 0xAF */
4, 0, 1, 0, 2, 0, 1, 0, 3, 0, 1, 0, 2, 0, 1, 0, /* 0xB0 to 0xBF */
6, 0, 1, 0, 2, 0, 1, 0, 3, 0, 1, 0, 2, 0, 1, 0, /* 0xC0 to 0xCF */
4, 0, 1, 0, 2, 0, 1, 0, 3, 0, 1, 0, 2, 0, 1, 0, /* 0xD0 to 0xDF */
5, 0, 1, 0, 2, 0, 1, 0, 3, 0, 1, 0, 2, 0, 1, 0, /* 0xE0 to 0xEF */
4, 0, 1, 0, 2, 0, 1, 0, 3, 0, 1, 0, 2, 0, 1, 0, /* 0xF0 to 0xFF */
};
                                OSRdyTbl[3] contains 0xE4

3 = OSUnMapTbl[0x68];
2 = OSUnMapTbl[0xE4];
26 = (3 << 3) + 2;

```

Figure - Figure 3.5 Finding the highest priority task ready to run

Task Scheduling

µC/OS-II always executes the highest priority task ready to run. The determination of which task has the highest priority, and thus which task will be next to run, is determined by the scheduler. Task-level scheduling is performed by OS_Sched(). ISR-level scheduling is handled by another function [OSIntExit()] described later. The code for OS_Sched() is shown in Listing 3.10. µC/OS-II task-scheduling time is constant irrespective of the number of tasks created in an application.


```
void OS_Sched (void)
{
  #if OS_CRITICAL_METHOD == 3
    OS_CPU_SR cpu_sr;
  #endif
  INT8U      y;

  OS_ENTER_CRITICAL();
  if ((OSIntNesting == 0u) && (OSLockNesting == 0u)) {           (1)
    y          = OSUnMapTbl[OSRdyGrp];                            (2)
    OSPrioHighRdy = (INT8U)((y << 3) + OSUnMapTbl[OSRdyTbl[y]]);
    if (OSPrioHighRdy != OSPrioCur) {                            (3)
      OSTCBHighRdy = OSTCBPrioTbl[OSPrioHighRdy];                (4)
    #if OS_TASK_PROFILE_EN > 0u
      OSTCBHighRdy->OSTCBCtxSwCtr++;          /* Inc. # of context switches to this task */
    #endif
    OSTctxSwCtr++;                                               (5)
    #if OS_TASK_CREATE_EXT_EN > 0u
    #if defined(OS_TLS_TBL_SIZE) && (OS_TLS_TBL_SIZE > 0u)
      OS_TLS_TaskSw();
    #endif
    #endif
    OS_TASK_SW();                                               (6)
  }
  OS_EXIT_CRITICAL();
}
```

Listing - Listing 3.10 Task scheduler.

- (1) OS_Sched() exits if called from an ISR (i.e., OSIntNesting > 0) or if scheduling has been disabled because your application called OSSchedLock() at least once (i.e., OSLockNesting > 0).
- (2) If OS_Sched() is not called from an ISR and the scheduler is enabled, then OS_Sched() determines the priority of the highest priority task that is ready to run. A task that is ready to run has its corresponding bit set in OSRdyTbl[.].
- (3) Once the highest priority task has been found, OS_Sched() verifies that the highest priority task is not the current task. This is done to avoid an unnecessary context switch which would be time consuming. Note that µC/OS (V1.xx) used to obtain OSTCBHighRdy and compared it with OSTCBCur. On 8- and some 16-bit processors, this operation was relatively slow because a comparison was made of pointers instead of 8-bit integers as it is now done in µC/OS-II. Also, there is no point in looking up OSTCBHighRdy in OSTCBPrioTbl[.]. (see L3.10(4)) unless you actually need to do a context switch. The

combination of comparing 8-bit values instead of pointers and looking up `OSTCBHighRdy` only when needed should make µC/OS-II faster than µC/OS on 8- and some 16-bit processors.

- (4) To perform a context switch, `OSTCBHighRdy` must point to the `OS_TCB` of the highest priority task, which is done by indexing into `OSTCBPrioTbl[]` using `OSPrioHighRdy`.
- (5) Next, the statistic counter `OSCtxSwCtr` (a 32-bit variable) is incremented to keep track of the number of context switches. This counter serves no other purpose except that it allows you to determine the number of context switches in one second. Of course, do to this, you'd have to save `OSCtxSwCtr` in another variable (ex. `OSCtxSwCtrPerSec`) every second and then clear `OSCtxSwCtr`.
- (6) Finally, the macro `OS_TASK_SW()` is invoked to do the actual context switch.

A context switch simply consists of saving the processor registers on the stack of the task being suspended and restoring the registers of the higher priority task from its stack. In µC/OS-II, the stack frame for a ready task always looks as if an interrupt has just occurred and all processor registers were saved onto it. In other words, all that µC/OS-II has to do to run a ready task is restore all processor registers from the task's stack and execute a return from interrupt. To switch context, you would implement `OS_TASK_SW()` so that you simulate an interrupt. Most processors provide either software interrupt or TRAP instructions to accomplish this. The interrupt service routine (ISR) or trap handler (also called the exception handler) must vector to the assembly language function `OSCtxSw()`. `OSCtxSw()` expects to have `OSTCBHighRdy` point to the `OS_TCB` of the task to be switched-in and `OSTCBCur` point to the `OS_TCB` of the task being suspended. Refer to Chapter 13, Porting µC/OS-II, for additional details on `OSCtxSw()`. For now, you only need to know that `OS_TASK_SW()` will suspend execution of the current task and allows the CPU to resume execution of the more important task.

All of the code in `OS_Sched()` is considered a critical section. Interrupts are disabled to prevent ISRs from setting the ready bit of one or more tasks during the process of finding the highest priority task ready to run. Note that `OS_Sched()` could be written entirely in assembly language to reduce scheduling time. `OS_Sched()` was written in C for readability and portability and to minimize assembly language.

Task Level Context Switch, OS_TASK_SW()

As we discussed in the previous section, once the scheduler has determined that a more important task needs to run, OS_TASK_SW() is called to perform a context switch. The context of a task is generally the contents of all of the CPU registers. The context switch code simply needs to save the register values of the task being preempted and load into the CPU the values of the registers for the task to resume.

OS_TASK_SW() is a macro that 'normally' invokes a microprocessor software interrupt because µC/OS-II assumes that context switching will be done by interrupt level code. What µC/OS-II thus needs is a processor instruction that behaves just like a hardware interrupt (thus the name software interrupt). A macro is used to make µC/OS-II portable across multiple platforms by encapsulating the actual processor specific software interrupt mechanism. You will learn more about how to implement OS_TASK_SW() in Chapter 13, Porting µC/OS-II.

Figure 3.6 shows the state of some µC/OS-II variables and data structures just prior to calling OS_TASK_SW(). For sake of discussion, I 'created' a fictitious CPU containing seven registers:

- A Stack Pointer (SP)
- A Program Counter (PC)
- A Processor Status Word (PSW)
- Four general purpose registers (R1, R2, R3 and R4)

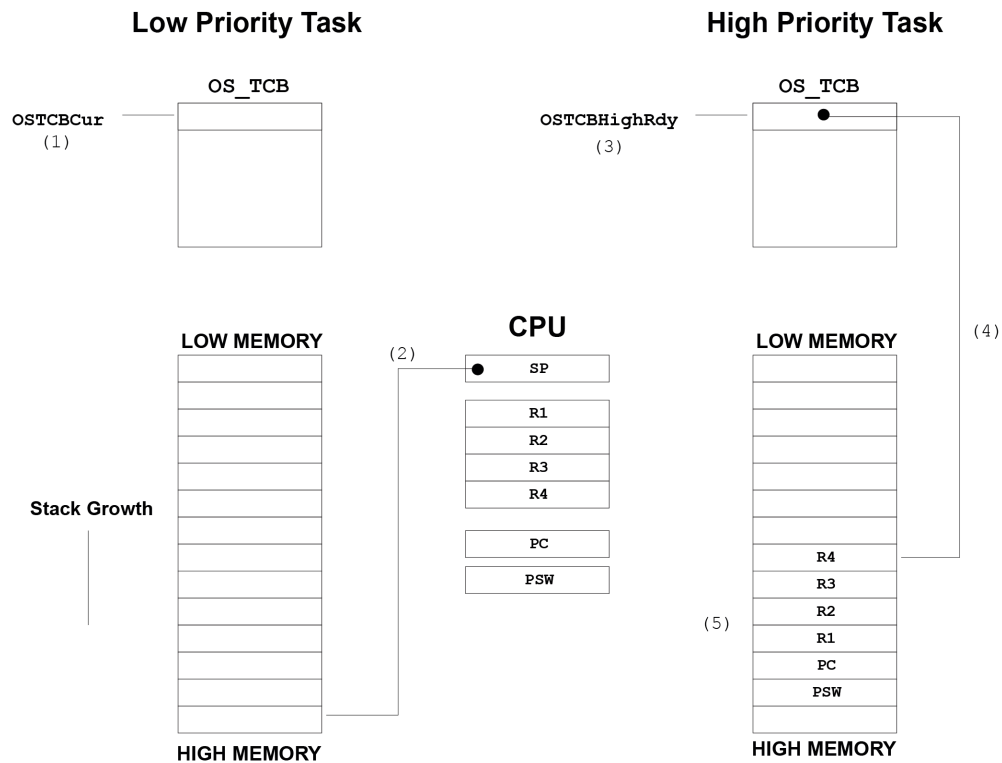


Figure - Figure 3.6 µC/OS-II structures when `OS_TASK_SW()` is called

- (1) `OSTCBCur` points to the `OS_TCB` of the task being suspended (the Low Priority Task).
- (2) The CPU's stack pointer (`SP` register) points to the current top-of-stack of the task being preempted.
- (3) `OSTCBHighRdy` points to the `OS_TCB` of the task that will execute after completing the context switch.
- (4) The `.OSTCBStkPtr` field in the `OS_TCB` points to the top-of-stack of the task to resume.
- (5) The stack of the task to resume contains the desired register values to load into the CPU. These values could have been saved by a previous context switch as we will see shortly. For the time being, let's simply assume that they have the desired values.

Figure 3.7 shows the state of the variables and data structures after calling `OS_TASK_SW()` and

after saving the context of the task to suspend.

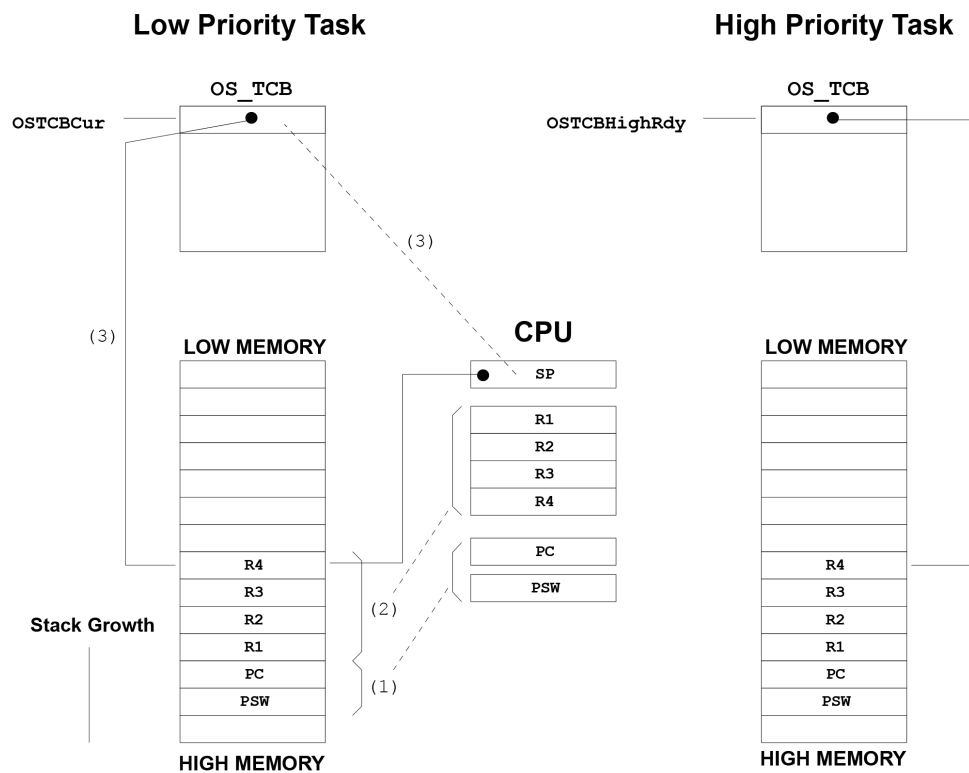


Figure - Figure 3.7 Saving the current task's context

- (1) Calling `OS_TASK_SW()` invokes the software interrupt instruction which forces the processor to save the current value of the PSW and the PC onto the current task's stack. The processor then 'vectors' to the software interrupt handler which will be responsible to complete the remaining steps of the context switch.
- (2) The software interrupt handler starts by saving the general purpose registers R1, R2, R3 and R4 in this order.
- (3) The stack pointer register is then saved into the current task's OS_TCB. At this point, both the CPU's SP register and `OSTCBCur->OSTCBStkPtr` are pointing to the same location into the current task's stack.

Figure 3.8 shows the state of the variables and data structures after executing the last part of

the context switch code.

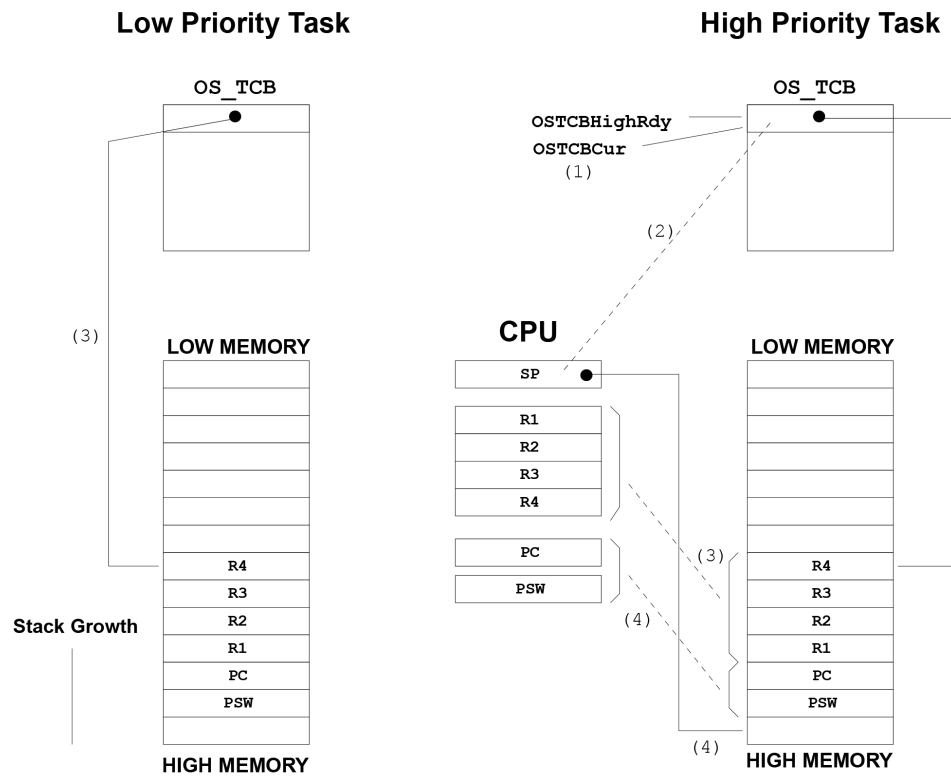


Figure - Figure 3.8 Resuming the current task

- (1) Because the new 'current' task will now be the task being resumed, the context switch code copies OSTCBHighRdy to OSTCBCur.
- (2) The stack pointer of the task to resume is extracted from the OS_TCB (from OSTCBHighRdy->OSTCBStkPtr) and loaded into the CPU's SP register. At this point, the SP register point at the stack location containing the value of register R4.
- (3) The general purpose registers are popped from the stack in the reverse order (R4, R3, R2 and R1).
- (4) The PC and PSW registers are loaded back into the CPU by executing a return from interrupt instruction. Because the PC is changed, code execution resumes where the PC is pointing to, which happens to be in the new task's code.

The pseudo code for the context switch is shown in Listing 3.11. `OSCtxSw()` is generally written in assembly language because most C compilers cannot manipulate CPU registers directly from C. In Chapter 14, *80x86 Large Model Port*, we will see how `OSCtxSw()` as well as other µC/OS-II functions look on a real processor, the Intel 80x86.

```
void OScTxSw (void)
{
    PUSH R1, R2, R3 and R4 onto the current stack;           See F3.6(2)
    OSTCBCur->OSTCBStkPtr = SP;                             See F3.6(3)
    OSTCBCur                = OSTCBHighRdy;                 See F3.7(1)
    SP                      = OSTCBHighRdy->OSTCBStkPtr;    See F3.7(2)
    POP R4, R3, R2 and R1 from the new stack;                See F3.7(3)
    Execute a return from interrupt instruction;              See F3.7(4)
}
```

Listing - Listing 3.11 Context Switch pseudo code.

Locking and Unlocking the Scheduler

The `OSSchedLock()` function (Listing 3.12) is used to prevent task rescheduling until its counterpart, `OSSchedUnlock()` (Listing 3.13), is called. The task that calls `OSSchedLock()` keeps control of the CPU even though other higher priority tasks are ready to run. Interrupts, however, are still recognized and serviced (assuming interrupts are enabled). `OSSchedLock()` and `OSSchedUnlock()` must be used in pairs. The variable `OSLockNesting` keeps track of the number of times `OSSchedLock()` has been called. This allows nested functions to contain critical code that other tasks cannot access. µC/OS-II allows nesting up to 255 levels deep. Scheduling is re-enabled when `OSLockNesting` is 0. `OSSchedLock()` and `OSSchedUnlock()` must be used with caution because they affect the normal management of tasks by µC/OS-II.

```
void OSSchedLock (void)
{
  #if OS_CRITICAL_METHOD == 3
    OS_CPU_SR cpu_sr;
  #endif

  if (OSRunning == OS_TRUE) {
    OS_ENTER_CRITICAL();
    if (OSIntNesting == 0u) {
      if (OSLockNesting < 255u) {
        OSLockNesting++;
      }
    }
    OS_EXIT_CRITICAL();
  }
}
```

Listing - Listing 3.12 Locking the scheduler.

- (1) It only makes sense to lock the scheduler if multitasking has started (i.e. OSStart() was called).
- (2) Before incrementing OSLockNesting, we need to make sure that we have not exceeded the allowable number of nesting levels.

After calling OSSchedLock(), your application must not make any system calls that suspend execution of the current task; that is, your application cannot call OSFlagPend(), OSMBboxPend(), OSMutexPend(), OSQPend(), OSSemPend(), OSTaskSuspend(OS_PRIO_SELF), OSTimeDly(), or OSTimeDlyHMSM() until OSLockNesting returns to 0 because OSSchedLock() prevents other tasks from running and thus your system will lockup.

You may want to disable the scheduler when a low-priority task needs to post messages to multiple mailboxes, queues, or semaphores (see Chapter 6, Intertask Communication & Synchronization) and you don't want a higher priority task to take control until all mailboxes, queues, and semaphores have been posted to.


```
void OSSchedUnlock (void)
{
  #if OS_CRITICAL_METHOD == 3
    OS_CPU_SR cpu_sr;
  #endif

  if (OSRunning == TRUE) { (1)
    OS_ENTER_CRITICAL();
    if (OSLockNesting > 0) { (2)
      OSLockNesting--; (3)
      if ((OSLockNesting == 0) && (OSIntNesting == 0)) { (4)
        OS_EXIT_CRITICAL();
        OS_Sched(); (5)
      } else {
        OS_EXIT_CRITICAL();
      }
    } else {
      OS_EXIT_CRITICAL();
    }
  }
}
```

Listing - Listing 3.13 Unlocking the scheduler.

- (1) It only makes sense to unlock the scheduler if multitasking has started (i.e. OSStart() was called).
- (2) We make sure OSLockNesting is not already 0. If it was, it would be an indication that you called OSSchedUnlock() too many times. In other words, you would not have the same number of OSSchedLock() as OSSchedUnlock().
- (3) OSLockNesting is decremented.
- (4) & (5) We only want to allow the scheduler to execute when all nesting have completed. OSSchedUnlock() is called from a task because events could have made higher priority tasks ready to run while scheduling was locked.

Idle Task

µC/OS-II always creates a task (a.k.a. the idle task) that is executed when none of the other tasks is ready to run. The idle task, OS_TaskIdle(), is always set to the lowest priority, OS_LOWEST_PRIO. The code for the idle task is shown in Listing 3.14. The idle task can never be deleted by application software.

```
void OS_TaskIdle (void *pdata)
{
  #if OS_CRITICAL_METHOD == 3
    OS_CPU_SR cpu_sr;
  #endif

  pdata = pdata;
  for (;;) {
    OS_ENTER_CRITICAL();
    OSIdleCtr++;
    OS_EXIT_CRITICAL();
    OSTaskIdleHook();
  }
}
```

Listing - Listing 3.14 The µC/OS-II idle task.

- (1) OS_TaskIdle() increments a 32-bit counter called OSIdleCtr, which is used by the statistics task (see section 3.??, Statistics Task) to determine the percent CPU time actually being consumed by the application software. Interrupts are disabled then enabled around the increment because on 8- and most 16-bit processors, a 32-bit increment requires multiple instructions that must be protected from being accessed by higher priority tasks or ISRs.
- (2) OS_TaskIdle() calls OSTaskIdleHook() which is a function that you can write to do just about anything you want. You can use OSTaskIdleHook() to STOP the CPU so that it can enter low-power mode. This is useful when your application is battery powered. OS_TaskIdle() MUST ALWAYS be ready to run so don't call one of the PEND functions, OSTimeDly???() functions or OSTaskSuspend() from OSTaskIdleHook().

Statistics Task

µC/OS-II contains a task that provides run-time statistics. This task is called OS_TaskStat() and is created by µC/OS-II if you set the configuration constant OS_TASK_STAT_EN (see OS_CFG.H) to 1. When enabled, OS_TaskStat() (see OS_CORE.C) executes every second and computes the percent CPU usage. In other words, OS_TaskStat() tells you how much of the CPU time is used by your application, as a percentage. This value is placed in the signed 8-bit integer variable OSCPUUsage. The resolution of OSCPUUsage is 1 percent.

If your application is to use the statistic task, you must call OSStatInit() (see OS_CORE.C) from the first and only task created in your application during initialization. In other words,

your startup code must create only one task before calling `OSStart()`. From this one task, you must call `OSStatInit()` before you create your other application tasks. The single task that you create will, of course, be allowed to create other tasks. The pseudocode in Listing 3.15 shows what needs to be done.

```
void main (void)
{
    OSInit();                /* Initialize uC/OS-II          (1)*/
    /* Install uC/OS-II's context switch vector      */
    /* Create your startup task (for sake of discussion, TaskStart()) (2)*/
    OSStart();               /* Start multitasking      (3)*/
}

void TaskStart (void *pdata)
{
    /* Install and initialize µC/OS-II's ticker      (4)*/
    OSStatInit();          /* Initialize statistics task (5)*/
    /* Create your application task(s)              */
    for (;;) {
        /* Code for TaskStart() goes here!          */
    }
}
```

Listing - Listing 3.15 Initializing the statistic task.

Because your application must create only one task, `TaskStart()`, µC/OS-II has only three tasks to manage when `main()` calls `OSStart()`: `TaskStart()`, `OSTaskIdle()`, and `OS_TaskStat()`. Please note that you don't have to call the startup task: `TaskStart()` — you can call it anything you like. Your startup task will have the highest priority because µC/OS-II sets the priority of the idle task to `OS_LOWEST_PRIO` and the priority of the statistic task to `OS_LOWEST_PRIO - 1` internally.

Figure 3.9 illustrates the flow of execution when initializing the statistic task.

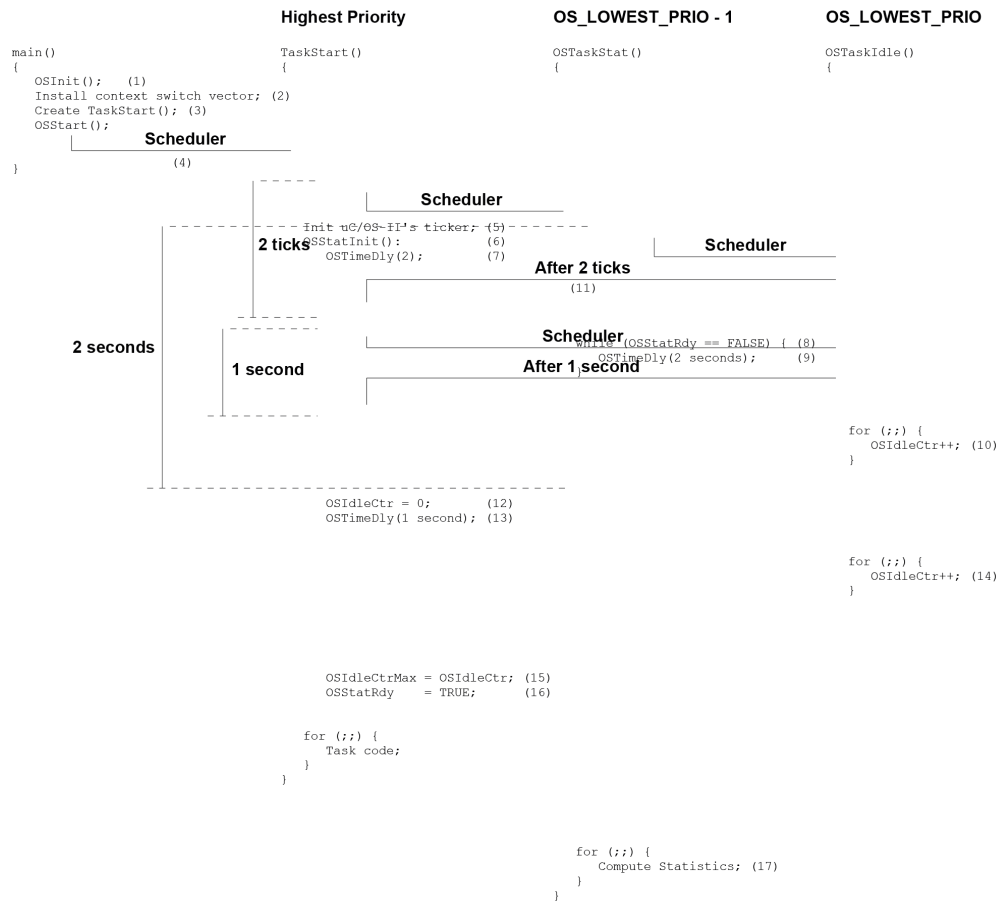


Figure - Figure 3.9 Statistic task initialization

- (1) The first function that you must call in µC/OS-II is `OSInit()`, which initializes µC/OS-II.
- (2) Next, you need to install the interrupt vector that will be used to perform context switches. Note that on some processors (specifically the Motorola 68HC11), there is no need to “install” a vector because the vector is already resident in ROM.
- (3) You must create `TaskStart()` by calling either `OSTaskCreate()` or `OSTaskCreateExt()`.
- (4) Once you are ready to multitask, call `OSStart()`, which schedules `TaskStart()` for execution because it has the highest priority.
- (5) `TaskStart()` is responsible for initializing and starting the ticker. You want to initialize the ticker in the first task to execute because you don’t want to receive a tick interrupt

until you are actually multitasking.

- (6) Next, `TaskStart()` calls `OSStatInit()`. `OSStatInit()` determines how high the idle counter (`OSIdleCtr`) can count if no other task in the application is executing. A Pentium II running at 333MHz increments this counter to a value of about 15,000,000. `OSIdleCtr` is still far from wrapping around the 4,294,967,296 limit of a 32-bit value. At the rate processor speeds are getting, it will not be too long before `OSIdleCtr` overflows. If this becomes a problem, you can always introduce some software delays in `OSTaskIdleHook()`. Because `OS_TaskIdle()` really doesn't execute any 'useful' code, it's OK to throw away CPU cycles.
- (7) `OSStatInit()` starts off by calling `OSTimeDly()`, which puts `TaskStart()` to sleep for two ticks. This is done to synchronize `OSStatInit()` to the ticker. µC/OS-II then picks the next highest priority task that is ready to run, which happens to be `OS_TaskStat()`.
- (8) You will see the code for `OS_TaskStat()` later, but as a preview, the very first thing `OS_TaskStat()` does is check to see if the flag `OSStatRdy` is set to `FALSE` and delays for two seconds if it is.
- (9) It so happens that `OSStatRdy` is initialized to `FALSE` by `OSInit()`, so `OS_TaskStat()` in fact puts itself to sleep for two seconds. This causes a context switch to the only task that is ready to run, `OSTaskIdle()`.
- (10) The CPU stays in `OS_TaskIdle()` until the two ticks of `TaskStart()` expire.
- (11) & (12) After two ticks, `TaskStart()` resumes execution in `OSStatInit()` and `OSIdleCtr` is cleared.
- (13) Then, `OSStatInit()` delays itself for one full second. Because no other task is ready to run, `OS_TaskIdle()` again gets control of the CPU.
- (14) During that time, `OSIdleCtr` is continuously incremented.
- (15) After one second, `TaskStart()` is resumed, still in `OSStatInit()`, and the value that `OSIdleCtr` reached during that one second is saved in `OSIdleCtrMax`.
- (16) & (17) `OSStatInit()` sets `OSStatRdy` to `TRUE`, which allows `OS_TaskStat()` to perform a CPU usage computation after its delay of two seconds expires.

The code for OSStatInit() is shown in Listing 3.16.

```
void OSStatInit (void)
{
  #if OS_CRITICAL_METHOD == 3
    OS_CPU_SR cpu_sr;
  #endif

  OSTimeDly(2);
  OS_ENTER_CRITICAL();
  OSIdleCtr = 0L;
  OS_EXIT_CRITICAL();
  OSTimeDly(OS_TICKS_PER_SEC / 10u);
  OS_ENTER_CRITICAL();
  OSIdleCtrMax = OSIdleCtr;
  OSStatRdy = OS_TRUE;
  OS_EXIT_CRITICAL();
}
```

Listing - Listing 3.16 Initializing the statistic task.

The code for OS_TaskStat() is shown in Listing 3.17.

```
void OS_TaskStat (void *pdata)
{
    #if OS_CRITICAL_METHOD == 3
        OS_CPU_SR cpu_sr;
    #endif
    INT32U run;
    INT32U max;
    INT8S usage;

    pdata = pdata;
    while (OSStatRdy == OS_FALSE) {
        OSTimeDly(2 * OS_TICKS_PER_SEC / 10u);
    }
    OSIdleCtrMax /= 100uL;
    if (OSIdleCtrMax == 0uL) {
        OSCPUUsage = 0u;
    }
    #if OS_TASK_SUSPEND_EN > 0u
        (void)OSTaskSuspend(OS_PRIO_SELF);
    #else
        for (;;) {
            OSTimeDly(OS_TICKS_PER_SEC);
        }
    #endif
    OS_ENTER_CRITICAL();
    OSIdleCtr = OSIdleCtrMax * 100uL;
    OS_EXIT_CRITICAL();

    for (;;) {
        OS_ENTER_CRITICAL();
        OSIdleCtrRun = OSIdleCtr;
        OSIdleCtr = 0L;
        OS_EXIT_CRITICAL();
        OSCPUUsage = (INT8U)(100uL - OSIdleCtrRun / OSIdleCtrMax);
        OSTaskStatHook();
    }

    #if (OS_TASK_STAT_STK_CHK_EN > 0u) && (OS_TASK_CREATE_EXT_EN > 0u)
        OS_TaskStatStkChk();
    #endif

    OSTimeDly(OS_TICKS_PER_SEC / 10u);
}
}
```

Listing - Listing 3.17 Statistics task.

- (1) I've already discussed why OS_TaskStat() has to wait for the flag OSStatRdy to be set to TRUE in the previous paragraphs. The task code executes every second and basically determines how much CPU time is actually consumed by all the application tasks. When you start adding application code, the idle task will get less of the processor's time, and OSIdleCtr will not be allowed to count as high as it did when nothing else was running. Remember that OSStatInit() saved this maximum value in OSIdleCtrMax.
- (3) Every second, the value of the idle counter is copied into the global variable

OSIdleCtrRun. This variable thus holds the maximum value of the idle counter for the second that just passed. This value is not used anywhere else by µC/OS-II but can be monitored (and possibly displayed) by your application. The idle counter is then reset to 0 for the next measurement.

- (4) CPU utilization (Equation [3.1]) is stored in the variable *OSCPUUsage*:

$$[3.1] \quad \text{OSCPUUsage}_{(\%)} = 100 \times \left(1 - \frac{\text{OSIdleCtr}}{\text{OSIdleCtrMax}} \right)$$

- (2) The above equation needs to be re-written because *OSIdleCtr* / *OSIdleCtrMax* would always yield 0 because of the integer operation. The new equation is:

$$[3.2] \quad \text{OSCPUUsage}_{(\%)} = \left(100 - \frac{100 \times \text{OSIdleCtr}}{\text{OSIdleCtrMax}} \right)$$

Multiplying *OSIdleCtr* by 100 limits the maximum value that *OSIdleCtr* can take, especially on fast processors. In other words, in order for the multiplication of *OSIdleCtr* to not overflow, *OSIdleCtr* must never be higher than 42,949,672! With fast processors, it's quite likely that *OSIdleCtr* can reach this value. To correct this potential problem, all we need to do is divide *OSIdleCtrMax* by 100 instead as shown below.

$$[3.3] \quad \text{OSCPUUsage}_{(\%)} = \left(100 - \frac{\text{OSIdleCtr}}{\left(\frac{\text{OSIdleCtrMax}}{100} \right)} \right)$$

The local variable *max* is thus precomputed to hold *OSIdleCtrMax* divided by 100.

- (5) Once the above computation is performed, *OS_TaskStat()* calls *OSTaskStatHook()*, a user-definable function that allows the statistic task to be expanded. Indeed, your application could compute and display the total execution time of all tasks, the percent time actually consumed by each task, and more (see Chapter 1, Example 3).

Interrupts under µC/OS-II

µC/OS-II requires that an Interrupt Service Routine (ISR) be written in assembly language. However, if your C compiler supports in-line assembly language, you can put the ISR code directly in a C source file.

The pseudocode for an ISR is shown in Listing 3.18.

```
YourISR:
  Save all CPU registers;                               (1)
  Call OSIntEnter() or, increment OSIntNesting directly; (2)
  if (OSIntNesting == 1) {                              (3)
    OSTCBCur->OSTCBStkPtr = SP;                        (4)
  }
  Clear interrupting device;                            (5)
  Re-enable interrupts (optional)                      (6)
  Execute user code to service ISR;                   (7)
  Call OSIntExit();                                    (8)
  Restore all CPU registers;                           (9)
  Execute a return from interrupt instruction;         (10)
```

Listing - Listing 3.18 ISRs under µC/OS-II

- (1) Your code should save all CPU registers onto the current task stack. Note that on some processors, like the Motorola 68020 (and higher), a different stack is used when servicing an interrupt. µC/OS-II can work with such processors as long as the registers are saved on the interrupted task's stack when a context switch occurs.
- (2) µC/OS-II needs to know that you are servicing an ISR, so you need to either call `OSIntEnter()` or increment the global variable `OSIntNesting`. `OSIntNesting` can be incremented directly if your processor performs an increment operation to memory using a single instruction. If your processor forces you to read `OSIntNesting` in a register, increment the register, store the result back in `OSIntNesting`, then call `OSIntEnter()`. `OSIntEnter()` wraps these three instructions with code to disable and then enable interrupts, thus ensuring exclusive access to `OSIntNesting`, which is considered a shared resource. Incrementing `OSIntNesting` directly is much faster than calling `OSIntEnter()` and is thus the preferred way. One word of caution: some implementations of `OSIntEnter()` cause interrupts to be enabled when `OSIntEnter()` returns. In these cases, you need to clear the interrupt source before calling `OSIntEnter()`; otherwise, your interrupt will be re-entered continuously and your application will crash!

Certain processors such as the Motorola 68020 allow interrupts to be nested even though you are just starting to service an interrupt. The beginning of the ISR needs to be different for these processors. I will not get into this here but, it may be worthwhile for you to download the 68020 port from the [Micrium web site](#) to see how to handle this situation.

- (3) & (4) We check to see if this is the first interrupt level and if it is, we immediately save the stack pointer into the current task's OS_TCB. You should note that I added these two lines of code since V2.04. If you have a port that assumes V2.04 or earlier, you should simply add these two lines in ALL your ISRs.
- (5) You must clear the interrupt source because you stand the chance of re-entering the ISR if you decide to re-enable interrupts.
- (6) You can re-enable interrupts if you want to allow interrupt nesting. μC/OS-II allows you to nest interrupts because it keeps track of ISR nesting in OSIntNesting.
- (7) Once the previous steps have been accomplished, you can start servicing the interrupting device. This section is obviously application specific.
- (8) The conclusion of the ISR is marked by calling OSIntExit(), which decrements the interrupt nesting counter. When the nesting counter reaches 0, all nested interrupts have completed and μC/OS-II needs to determine whether a higher priority task has been awakened by the ISR (or any other nested ISR). If a higher priority task is ready to run, μC/OS-II returns to the higher priority task rather than to the interrupted task.
- (9) If the interrupted task is still the most important task to run, OSIntExit() returns to the interrupted task.
- (10) At that point the saved registers are restored and a return from interrupt instruction is executed. Note that μC/OS-II will return to the interrupted task if scheduling has been disabled (OSLockNesting > 0).

The above description is further illustrated in Figure 3.10.

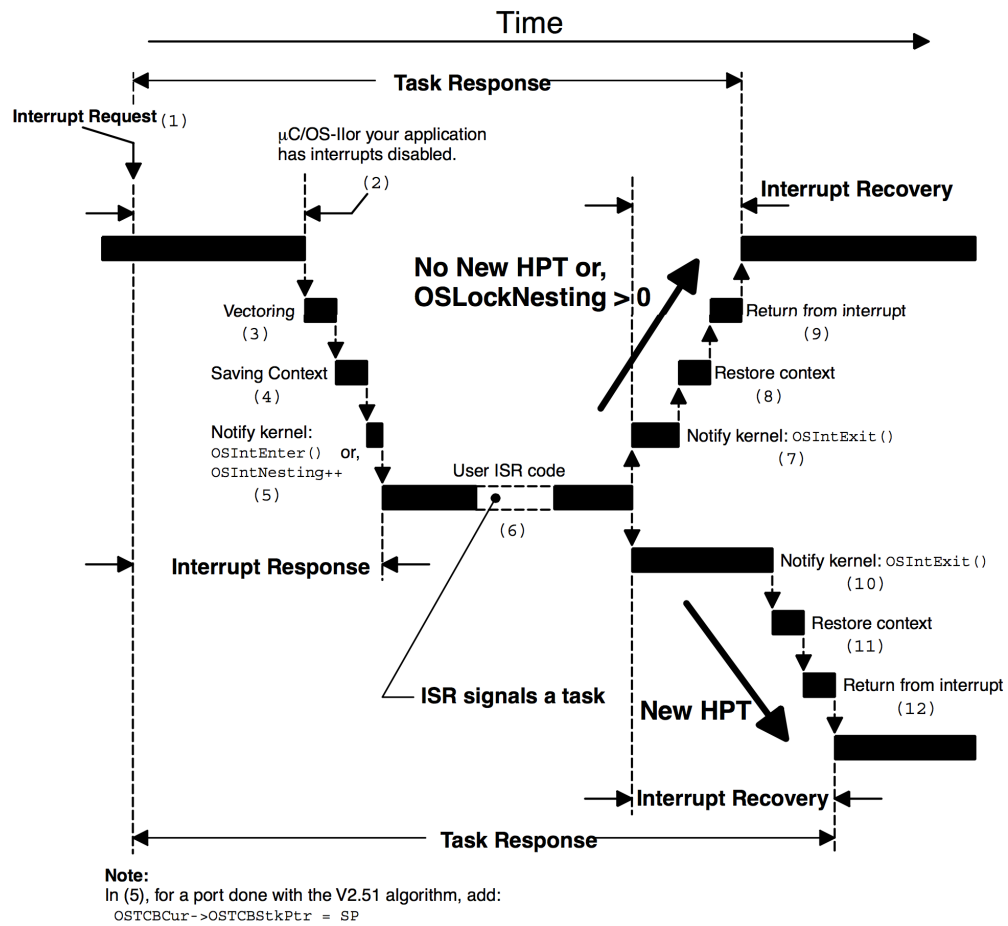


Figure - Figure 3.10 Servicing an interrupt

- (1) The interrupt is received but is not recognized by the CPU, either because interrupts have been disabled by µC/OS-II or your application or because the CPU has not completed executing the current instruction.
- (2) & (3) Once the CPU recognizes the interrupt, the CPU vectors (at least on most microprocessors) to the ISR.
- (4) As described above, the ISR saves the CPU registers (i.e., the CPU's context).
- (5) Once this is done, your ISR notifies µC/OS-II by calling `OSIntEnter()` or by incrementing `OSIntNesting`. You also need to save the stack pointer into the current task's `OS_TCB`.

- (6) Your ISR code then gets to execute. Your ISR should do as little work as possible and defer most of the work at the task level. A task is notified of the ISR by calling either `OSFlagPost()`, `OSMboxPost()`, `OSQPost()`, `OSQPostFront()`, or `OSSemPost()`. The receiving task may or may not be pending at the event flag, mailbox, queue, or semaphore when the ISR occurs and the post is made.
- (7) Once the user ISR code has completed, you need to call `OSIntExit()`. As can be seen from the timing diagram, `OSIntExit()` takes less time to return to the interrupted task when there is no higher priority task (HPT) readied by the ISR.
- (8) & (9) In this case, the CPU registers are then simply restored and a return from interrupt instruction is executed.
- (10) If the ISR makes a higher priority task ready to run, then `OSIntExit()` takes longer to execute because a context switch is now needed.
- (11) & (12) The registers of the new task are restored, and a return from interrupt instruction is executed.

The code for `OSIntEnter()` is shown in Listing 3.19 and the code for `OSIntExit()` is shown in Listing 3.20. Very little needs to be said about `OSIntEnter()` .

```
void OSIntEnter (void)
{
    if (OSRunning == TRUE) {
        if (OSIntNesting < 255u) {
            OSIntNesting++;
        }
    }
}
```

Listing - Listing 3.19 Notify µC/OS-II about beginning an ISR.

```

void OSIntExit (void)
{
    #if OS_CRITICAL_METHOD == 3
        OS_CPU_SR cpu_sr;
    #endif

    OS_ENTER_CRITICAL();
    if (OSRunning == TRUE) {
        if (OSIntNesting > 0u) {
            OSIntNesting--;
        }
        if ((OSIntNesting == 0u) && (OSLockNesting == 0u)) {
            OS_SchedNew();
            OSTCBHighRdy = OSTCBPrioTbl[OSPrioHighRdy];
            if (OSPrioHighRdy != OSPrioCur) {
                #if OS_TASK_PROFILE_EN > 0u
                    OSTCBHighRdy->OSTCBCtxSwCtr++;
                #endif
                OSCtxSwCtr++;
                #if OS_TASK_CREATE_EXT_EN > 0u
                #if defined(OS_TLS_TBL_SIZE) && (OS_TLS_TBL_SIZE > 0u)
                    OS_TLS_TaskSw();
                #endif
            #endif
            OSIntCtxSw();
        }
    }
    OS_EXIT_CRITICAL();
}

```

Listing - Listing 3.20 Notify µC/OS-II about leaving an ISR.

OSIntExit() looks strangely like OS_Sched() except for three differences:

- (1) The interrupt nesting counter is decremented in OSIntExit() and rescheduling occurs when both the interrupt nesting counter and the lock nesting counter (OSLockNesting) are 0.
- (2) The Y index needed for OSRdyTbl[] is stored in the global variable OSIntExitY. This is done because prior to V2.51, OSIntCtxSw() needed to account for local variables and return addresses. As of V2.51, OSIntCtxSw() doesn't need to account for these. However, I decided to leave OSIntExitY as a global for backwards compatibility with previous ports.
- (3) If a context switch is needed, OSIntExit() calls OSIntCtxSw() instead of OS_TASK_SW() as it did in OS_Sched().

You need to call OSIntCtxSw() instead of OS_TASK_SW() because the ISR has already saved the

CPU registers onto the interrupted task and thus shouldn't be saved again. Implementation details about `OSIntCtxSw()` are provided in Chapter 13, Porting µC/OS-II.

Some processors, like the Motorola 68HC11, require that you implicitly re-enable interrupts in order to allow nesting. This can be used to your advantage. Indeed, if your ISR needs to be serviced quickly and it doesn't need to notify a task about itself, you don't need to call `OSIntEnter()` (or increment `OSIntNesting`) or `OSIntExit()` as long as you don't enable interrupts within the ISR. The pseudocode in Listing 3.21 shows this situation. In this case, the only way a task and this ISR can communicate is through global variables.

```
M68HC11_ISR:          /* Fast ISR, MUST NOT enable interrupts */
    All register saved automatically by the CPU;
    Execute user code to service the interrupt;
    Execute a return from interrupt instruction;
```

Listing - Listing 3.21 ISRs on a Motorola 68HC11.

Clock Tick

µC/OS-II requires that you provide a periodic time source to keep track of time delays and timeouts. A tick should occur between 10 and 100 times per second, or Hertz. The faster the tick rate, the more overhead µC/OS-II will impose on the system. The actual frequency of the clock tick depends on the desired tick resolution of your application. You can obtain a tick source either by dedicating a hardware timer or generating an interrupt from an AC power line (50/60Hz) signal.

You **MUST** enable ticker interrupts **AFTER** multitasking has started; that is, after calling `OSStart()`. In other words, you should initialize ticker interrupts in the first task that executes following a call to `OSStart()`. A common mistake is to enable ticker interrupts after `OSInit()` and before `OSStart()` as shown in Listing 3.22.

```
void main(void)
{
    .
    .
    OSInit();          /* Initialize µC/OS-II          */
    .
    .
    /* Application initialization code ...          */
    /* ... Create at least one task by calling OSTaskCreate() */
    .
    .
    Enable TICKER interrupts; /* DO NOT DO THIS HERE!!! */
    .
    .
    OSStart();        /* Start multitasking          */
}
}
```

Listing - Listing 3.22 Incorrect way to start the ticker.

Potentially, the tick interrupt could be serviced before µC/OS-II starts the first task. At this point, µC/OS-II is in an unknown state and your application will crash.

The µC/OS-II clock tick is serviced by calling `OSTimeTick()` from a tick ISR. `OSTimeTick()` keeps track of all the task timers and timeouts. The tick ISR follows all the rules described in the previous section. The pseudocode for the tick ISR is shown in Listing 3.23. This code must be written in assembly language because you cannot access CPU registers directly from C. Because the tick ISR is always needed, it is generally provided with a port.

```
void OSTickISR(void)
{
    Save processor registers;
    Call OSIntEnter() or increment OSIntNesting;
    if (OSIntNesting == 1u) {
        OSTCBCur->OSTCBStkPtr = SP;
    }
    Call OSTimeTick();          (1)
    Clear interrupting device;
    Re-enable interrupts (optional);
    Call OSIntExit();
    Restore processor registers;
    Execute a return from interrupt instruction;
}
}
```

Listing - Listing 3.23 Pseudocode for tick ISR.

The code for `OSTimeTick()` is shown in Listing 3.24.

```

void OSTimeTick (void)
{
    #if OS_CRITICAL_METHOD == 3
        OS_CPU_SR cpu_sr;
    #endif
    OS_TCB *ptcb;

    OSTimeTickHook(); (1)
    #if OS_TIME_GET_SET_EN > 0
        OS_ENTER_CRITICAL();
        OSTime++; (2)
        OS_EXIT_CRITICAL();
    #endif
    if (OSRunning == TRUE) {
        ptcb = OSTCBLIST; (3)
        while (ptcb->OSTCBPrio != OS_IDLE_PRIO) { (4)
            OS_ENTER_CRITICAL();
            if (ptcb->OSTCBDly != 0u) {
                ptcb->OSTCBDly--;
                if (ptcb->OSTCBDly == 0u) {
                    if ((ptcb->OSTCBStat & OS_STAT_PEND_ANY) != OS_STAT_RDY) {
                        ptcb->OSTCBStat &= (INT8U)~(INT8U)OS_STAT_PEND_ANY;
                        ptcb->OSTCBStatPend = OS_STAT_PEND_TO;
                    } else {
                        ptcb->OSTCBStatPend = OS_STAT_PEND_OK;
                    }
                }
                if ((ptcb->OSTCBStat & OS_STAT_SUSPEND) == OS_STAT_RDY) { (5)
                    OSRdyGrp |= ptcb->OSTCBBitY; (6)
                    OSRdyTbl[ptcb->OSTCBY] |= ptcb->OSTCBBitX;
                }
            }
        }

        ptcb = ptcb->OSTCBNext;
        OS_EXIT_CRITICAL();
    }
}

```

Listing - Listing 3.24 Service a tick,

- (1) OSTimeTick() starts by calling the user-definable function OSTimeTickHook(), which can be used to extend the functionality of OSTimeTick(). I decided to call OSTimeTickHook() first to give your application a chance to do something as soon as the tick is serviced because you may have some time-critical work to do. Most of the work done by OSTimeTick() basically consists of decrementing the OSTCBDly field for each OS_TCB (if it's nonzero).
- (2) OSTimeTick() also accumulates the number of clock ticks since power-up in an unsigned 32-bit variable called OSTime. Note that I disable interrupts before incrementing OSTime because on some processors, a 32-bit increment will most likely be done using multiple CPU instructions.

- (3) & (4) `OSTimeTick()` follows the chain of `OS_TCB`, starting at `OSTCBList`, until it reaches the idle task.
- (5) When the `OSTCBDly` field of a task's `OS_TCB` is decremented to 0, the task is made ready to run.
- (6) The task is not readied, however, if it was explicitly suspended by `OSTaskSuspend()`.

The execution time of `OSTimeTick()` is directly proportional to the number of tasks created in an application, however execution time is still very deterministic.

If you don't like to make ISRs any longer than they must be, `OSTimeTick()` can be called at the task level as shown in Listing 3.25. To do this, create a task that has a higher priority than all your other application tasks. The tick ISR needs to signal this high-priority task by using either a semaphore or a message mailbox.

```
void TickTask (void *pdata)
{
    pdata = pdata;
    for (;;) {
        OSMBxPend(...); /* Wait for signal from Tick ISR */
        OSTimeTick();
        OS_Sched();
    }
}
```

Listing - Listing 3.25 Service a tick,

You obviously need to create a mailbox (contents initialized to NULL) that will be used to signal the task that a tick interrupt has occurred (Listing 3.26).

```
void OSTickISR(void)
{
    Save processor registers;
    Call OSIntEnter() or increment OSIntNesting;
    if (OSIntNesting == 1u) {
        OSTCBCur->OSTCBStkPtr = SP;
    }

    Post a 'dummy' message (e.g. (void *)1) to the tick mailbox;

    Call OSIntExit();
    Restore processor registers;
    Execute a return from interrupt instruction;
}
```

Listing - Listing 3.26 Service a tick,

µC/OS-II Initialization

A requirement of µC/OS-II is that you call `OSInit()` before you call any of µC/OS-II's other services. `OSInit()` initializes all µC/OS-II variables and data structures (see `OS_CORE.C`).

`OSInit()` creates the idle task `OSTaskIdle()`, which is always ready to run. The priority of `OSTaskIdle()` is always set to `OS_LOWEST_PRIO`. If `OS_TASK_STAT_EN` and `OS_TASK_CREATE_EXT_EN` (see `OS_CFG.H`) are both set to 1, `OSInit()` also creates the statistic task `OS_TaskStat()` and makes it ready to run. The priority of `OS_TaskStat()` is always set to `OS_LOWEST_PRIO-1`.

Figure 3.11 shows the relationship between some µC/OS-II variables and data structures after calling `OSInit()`. The illustration assumes that the following `#define` constants are set as follows in `OS_CFG.H`:

- `OS_TASK_STAT_EN` is set to 1,
- `OS_FLAG_EN` is set to 1,
- `OS_LOWEST_PRIO` is set to 63, and
- `OS_MAX_TASKS` is set to 62.

of last task created.

- (3) Both ends of the doubly linked list point to NULL (i.e., 0).
- (4) Because both tasks are ready to run, their corresponding bits in OSRdyTbl[] are set to 1. Also, because the bits of both tasks are on the same row in OSRdyTbl[], only one bit in OSRdyGrp is set to 1.

µC/OS-II also initializes five pools of free data structures as shown in Figure 3.12. Each of these pools is a singly linked list and allows µC/OS-II to obtain and return an element from and to a pool quickly.



Figure - Figure 3.12 Free Pools

After OSInit() has been called, the OS_TCB pool contains OS_MAX_TASKS entries. The OS_EVENT pool contains OS_MAX_EVENTS entries, the OS_Q pool contains OS_MAX_QS entries, the OS_FLAG_GRP pool contains OS_MAX_FLAGS entries and finally, the OS_MEM pool contains OS_MAX_MEM_PART entries. Each of the free pools are NULL pointer terminated to indicate the end. The pool is of course empty if any of the list pointers point to NULL. The size of these pools are defined by you in OS_CFG.H .

Starting µC/OS-II

You start multitasking by calling `OSStart()`. However, before you start µC/OS-II, you must create at least one of your application tasks as shown in Listing 3.27.

```
void main (void)
{
    OSInit();          /* Initialize uC/OS-II          */
    .
    .
    Create at least 1 task using either OSTaskCreate() or OSTaskCreateExt();
    .
    .
    OSStart();        /* Start multitasking! OSStart() will not return */
}
```

Listing - Listing 3.27 Initializing and starting µC/OS-II.

The code for `OSStart()` is shown in Listing 3.28.

```
void OSStart (void)
{
    INT8U y;
    INT8U x;

    if (OSRunning == OS_FALSE) {
        OS_SchedNew();
        OSPrioCur = OSPrioHighRdy;
        OSTCBHighRdy = OSTCBPrioTbl[OSPrioHighRdy];      (1)
        OSTCBCur = OSTCBHighRdy;
        OSStartHighRdy();                                (2)
    }
}
```

Listing - Listing 3.28 Starting multitasking.

- (1) When called, `OSStart()` finds the `OS_TCB` (from the ready list) of the highest priority task that you have created.
- (2) Then, `OSStart()` calls `OSStartHighRdy()` which is found in `OS_CPU_A.ASM` for the processor being used (see Chapter 13, Porting µC/OS-II). Basically, `OSStartHighRdy()` restores the CPU registers by popping them off the task's stack then executes a return

from interrupt instruction, which forces the CPU to execute your task's code. Note that OSStartHighRdy() will never return to OSStart().

Figure 3.13 shows the contents of the variables and data structures after multitasking has started. Here, I assume that the task you created has a priority of 6. Notice that OSTaskCtr indicates that three tasks have been created: OSRunning is set to TRUE, indicating that multitasking has started, OSPrioCur and OSPrioHighRdy contain the priority of your application task, and OSTCBCur and OSTCBHighRdy both point to the OS_TCB of your task.

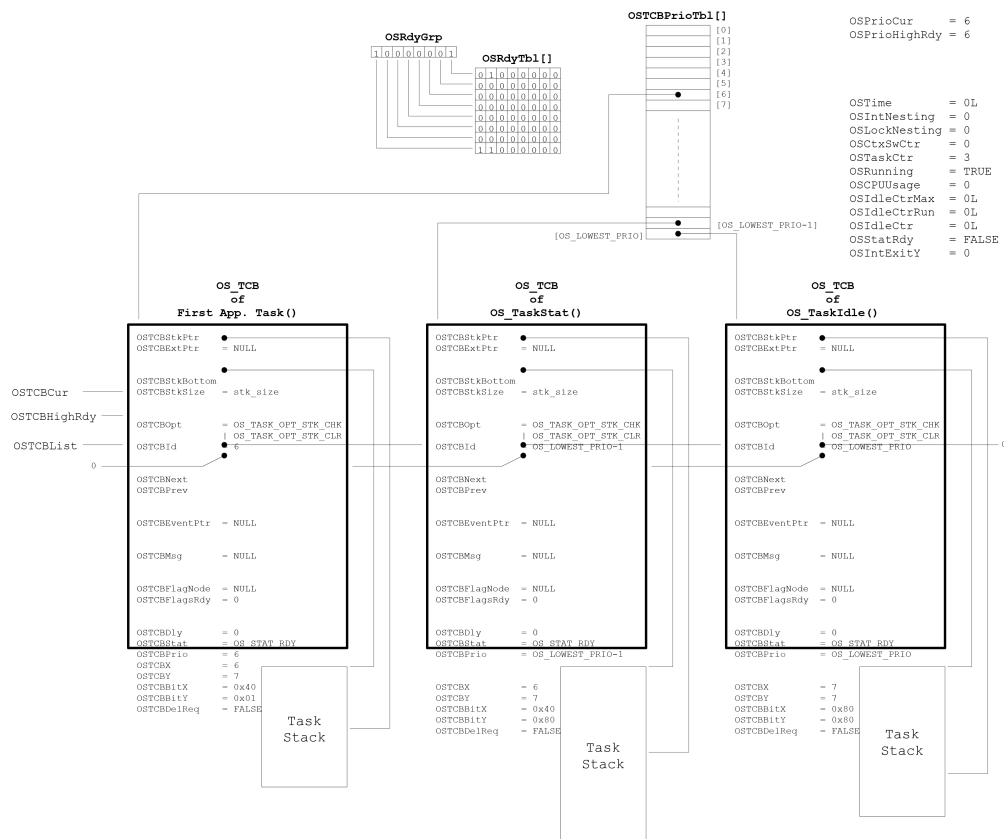


Figure - Figure 3.13 Variables and data structures after calling OSStart()

Obtaining the Current µC/OS-II Version

You can obtain the current version of µC/OS-II from your application by calling OSVersion() (Listing 3.29). OSVersion() returns the version number multiplied by 10000. In other words, version 2.52 is returned as 25200.

```
INT16U OSVersion (void)
{
    return (OS_VERSION);
}
```

Listing - Listing 3.29 Getting the current μC/OS-II version.

To find out about the latest version of μC/OS-II and how to obtain an upgrade, you should either contact the publisher or check the official μC/OS-II Web site at <http://www.micrium.com>.

Task Management

In the previous section, I specified that a task is either an infinite loop function or a function that deletes itself when it is done executing. Note that the task code is not actually deleted — µC/OS-II simply doesn't know about the task anymore, so that code will not run. A task looks just like any other C function, containing a return type and an argument, but it must never return. The return type of a task must always be declared void. The functions described in this chapter are found in the file OS_TASK.C. To review, a task must have one of the two structures:

```
void YourTask (void *pdata)
{
    for (;;) {
        /* USER CODE */
        Call one of uC/OS-II's services:
        OSFlagPend();
        OSMboxPend();
        OSMutexPend();
        OSQPend();
        OSSemPend();
        OSTaskSuspend(OS_PRIO_SELF);
        OSTimeDly();
        OSTimeDlyHMSM();
        /* USER CODE */
    }
}
or,
void YourTask (void *pdata)
{
    /* USER CODE */
    OSTaskDel(OS_PRIO_SELF);
}
```

This chapter describes the services that allow your application to create a task, delete a task, change a task's priority, suspend and resume a task, and allow your application to obtain information about a task.

µC/OS-II can manage up to 64 tasks, although µC/OS-II reserves the four highest priority tasks and the four lowest priority tasks for its own use. However, at this time, only two priority levels are actually used by µC/OS-II: OSTaskCreate and OS_LOWEST_PRIO-1 (see OS_CFG.H). This leaves you with up to 56 application tasks. The lower the value of the priority, the higher the priority of the task. In the current version of µC/OS-II, the task priority number also serves as the task identifier.

Creating a Task, OSTaskCreate()

In order for μC/OS-II to manage your task, you must create it. You create a task by passing its address and other arguments to one of two functions: `OSTaskCreate()` or `OSTaskCreateExt()`. `OSTaskCreate()` is backward compatible with μC/OS, and `OSTaskCreateExt()` is an extended version of `OSTaskCreate()`, providing additional features. A task can be created using either function. A task can be created prior to the start of multitasking or by another task. You must create at least one task before you start multitasking [i.e., before you call `OSStart()`]. A task cannot be created by an ISR.

The code for `OSTaskCreate()` is shown in Listing 4.1. As can be seen, `OSTaskCreate()` requires four arguments. `task` is a pointer to the task code, `pdata` is a pointer to an argument that is passed to your task when it starts executing, `ptos` is a pointer to the top of the stack that is assigned to the task (see section 4.02, Task Stacks), and `prio` is the desired task priority.

```

INT8U OSTaskCreate (void (*task)(void *pd), void *pdata, OS_STK *ptos, INT8U prio)
{
    #if OS_CRITICAL_METHOD == 3
        OS_CPU_SR cpu_sr;
    #endif
    void *psp;
    INT8U err;

    #if OS_ARG_CHK_EN > 0u
        if (prio > OS_LOWEST_PRIO) {
            return (OS_ERR_PRIO_INVALID);
        }
    #endif
    OS_ENTER_CRITICAL();
    if (OSIntNesting > 0u) {
        OS_EXIT_CRITICAL();
        return (OS_ERR_TASK_CREATE_ISR);
    }

    if (OSTCBPrioTbl[prio] == (OS_TCB *)0) {
        OSTCBPrioTbl[prio] = (OS_TCB *)OS_TCB_RESERVED;
        OS_EXIT_CRITICAL();
        psp = (void *)OSTaskStkInit(task, pdata, ptos, 0);
        err = OS_TCBInit(prio, psp, (void *)0, 0, 0, (void *)0, 0);
        if (err == OS_ERR_NONE) {
            if (OSRunning == OS_TRUE) {
                OS_Sched();
            }
        }
    } else {
        OS_ENTER_CRITICAL();
        OSTCBPrioTbl[prio] = (OS_TCB *)0;
        OS_EXIT_CRITICAL();
    }
    return (err);
}
OS_EXIT_CRITICAL();
return (OS_ERR_PRIO_EXIST);
}

```

Listing - Listing 4.1

- (1) If the configuration constant `OS_ARG_CHK_EN` (see file `OS_CFG.H`) is set to 1, `OSTaskCreate()` checks that the task priority is valid. The priority of a task must be a number between 0 and `OS_LOWEST_PRIO`, inclusive. Please note that, `OS_LOWEST_PRIO` is reserved by µC/OS-II's idle task. Don't worry, your application will not be able to call `OSTaskCreate()` and create a task at priority `OS_LOWEST_PRIO` because it would have already been 'reserved' for the idle task by `OSInit()`. In this case, `OSTaskCreate()` would return `OS_ERR_PRIO_EXIST`.
- (2) Next, `OSTaskCreate()` makes sure that a task has not already been created at the desired priority. With µC/OS-II, all tasks must have a unique priority.
- (3) If the desired priority is free, µC/OS-II reserves the priority by placing a non-NULL

pointer in `OSTCBPrioTbl[]`.

- (4) This allows `OSTaskCreate()` to re-enable interrupts while it sets up the rest of the data structures for the task because no other concurrent calls to `OSTaskCreate()` can now use this priority.
- (5) `OSTaskCreate()` then calls `OSTaskStkInit()`, which is responsible for setting up the task stack. This function is processor specific and is found in `OS_CPU_C.C`. Refer to Chapter 13, Porting µC/OS-II, for details on how to implement `OSTaskStkInit()`. If you already have a port of µC/OS-II for the processor you are intending to use, you don't need to be concerned about implementation details. `OSTaskStkInit()` returns the new top-of-stack (psp), which will be saved in the task's `OS_TCB`. You should note that the fourth argument (opt) to `OSTaskStkInit()` is set to 0. This is because, unlike `OSTaskCreateExt()`, `OSTaskCreate()` does not support options, so there are no options to pass to `OSTaskStkInit()`. µC/OS-II supports processors that have stacks that grow either from high to low memory or from low to high memory. When you call `OSTaskCreate()`, you must know how the stack grows (see `OS_STACK_GROWTH` in `OS_CPU.H` of the processor you are using) because you must pass the task's top-of-stack to `OSTaskCreate()`, which can be either the lowest or the highest memory location of the stack.
- (6) Once `OSTaskStkInit()` has completed setting up the stack, `OSTaskCreate()` calls `OS_TCBInit()` to obtain and initialize an `OS_TCB` from the pool of free `OS_TCBs`. The code for `OS_TCBInit()` was described in Section 3.?? and is found in `OS_CORE.C` instead of `OS_TASK.C`.
- (7) If the stack frame and the task's TCB are properly initialized ...
- (8) ... if multitasking has already started then ...
- (9) The scheduler is called to determine whether the newly created task has a higher priority than the task that called `OSTaskCreate()`. Creating a higher priority task results in a context switch to the new task. If the task was created before multitasking has started [i.e., you did not call `OSStart()` yet], the scheduler is not called.
- (10) If `OS_TCBInit()` failed, the priority level is relinquished by setting the entry in `OSTCBPrioTbl[prio]` to 0.

Creating a Task, OSTaskCreateExt()

Creating a task using `OSTaskCreateExt()` offers more flexibility, but at the expense of additional overhead. The code for `OSTaskCreateExt()` is shown in Listing 4.2.

As can be seen, `OSTaskCreateExt()` requires nine arguments! The first four arguments (`task`, `pdata`, `ptos`, and `prio`) are exactly the same as in `OSTaskCreate()`, and they are located in the same order. I did this to make it easier to migrate your code to use `OSTaskCreateExt()`.

id	establishes a unique identifier for the task being created. This argument has been added for future expansion and is otherwise unused by µC/OS-II. This identifier will allow me to extend µC/OS-II beyond its limit of 64 tasks. For now, simply set the task's ID to the same value as the task's priority.
pbos	is a pointer to the task's bottom-of-stack and this argument is used to perform stack checking.
stk_size	specifies the size of the stack in number of elements. This means that if a stack entry is four bytes wide, then a <code>stk_size</code> of 1000 means that the stack will have 4,000 bytes. Again, this argument is used for stack checking.
pext	is a pointer to a user-supplied data area that can be used to extend the <code>OS_TCB</code> of the task. For example, you can add a name to a task (see Example 3 in Chapter 1), storage for the contents of floating-point registers (see Example 4 in Chapter 1) during a context switch, a port address to trigger an oscilloscope during a context switch, and more.
opt	specifies options to <code>OSTaskCreateExt()</code> , specifying whether stack checking is allowed, whether the stack will be cleared, whether floating-point operations are performed by the task, etc. <code>uCOS_II.H</code> contains a list of available options (<code>OS_TASK_OPT_STK_CHK</code> , <code>OS_TASK_OPT_STK_CLR</code> , and <code>OS_TASK_OPT_SAVE_FP</code>). Each option consists of a bit. The option is selected when the bit is set (simply OR the above <code>OS_TASK_OPT_???</code> constants).

```
INT8U OSTaskCreateExt (void (*task)(void *pd),
                      void *pdata,
                      OS_STK *ptos,
                      INT8U prio,
                      INT16U id,
                      OS_STK *pbos,
                      INT32U stk_size,
                      void *pext,
                      INT16U opt)
{
    #if OS_CRITICAL_METHOD == 3
        OS_CPU_SR cpu_sr;
    #endif
    OS_STK *psp;
    INT8U err;

    #if OS_ARG_CHK_EN > 0
        if (prio > OS_LOWEST_PRIO) {
            return (OS_ERR_PRIO_INVALID);
        }
    #endif
    OS_ENTER_CRITICAL();
    if (OSIntNesting > 0u) {
        OS_EXIT_CRITICAL();
        return (OS_ERR_TASK_CREATE_ISR);
    }

    if (OSTCBPrioTbl[prio] == (OS_TCB *)0) {
        OSTCBPrioTbl[prio] = (OS_TCB *)OS_TCB_RESERVED;
    }

    OS_EXIT_CRITICAL();

    psp = (OS_STK *)OSTaskStkInit(task, pdata, ptos, opt);
    err = OS_TCBInit(prio, psp, pbos, id, stk_size, pext, opt);
    if (err == OS_ERR_NONE) {
        if (OSRunning == TRUE) {
            OS_Sched();
        }
    } else {
        OS_ENTER_CRITICAL();
        OSTCBPrioTbl[prio] = (OS_TCB *)0;
        OS_EXIT_CRITICAL();
    }
    return (err);
}
OS_EXIT_CRITICAL();
return (OS_ERR_PRIO_EXIST);
}
```

Listing - Listing 4.2

- (1) OSTaskCreateExt() starts by checking that the task priority is valid. The priority of a task must be a number between 0 and OS_LOWEST_PRIO, inclusive. Please note again that, OS_LOWEST_PRIO is reserved by µC/OS-II's idle task. Your application will not be able to

call `OSTaskCreateExt()` and create a task at priority `OS_LOWEST_PRIO` because it would have already been 'reserved' for the idle task by `OSInit()`. In this case, `OSTaskCreateExt()` would return `OS_PRIO_EXIST`.

- (2) Next, `OSTaskCreateExt()` makes sure that a task has not already been created at the desired priority. With µC/OS-II, all tasks must have a unique priority.
- (3) If the desired priority is free, then µC/OS-II reserves the priority by placing a non-NULL pointer in `OSTCBPrioTbl[]`.
- (4) This allows `OSTaskCreateExt()` to re-enable interrupts while it sets up the rest of the data structures for the task.
- (5) `OSTaskCreateExt()` then calls `OSTaskStkInit()`, which is responsible for setting up the task stack. This function is processor specific and is found in `OS_CPU_C.C`. Refer to Chapter 13, Porting µC/OS-II, for details on how to implement `OSTaskStkInit()`. If you already have a port of µC/OS-II for the processor you are intending to use, then you don't need to be concerned about implementation details. `OSTaskStkInit()` returns the new top-of-stack (psp) which will be saved in the task's `OS_TCB`. µC/OS-II supports processors that have stacks that grow either from high to low memory or from low to high memory (see section 4.02, Task Stacks). When you call `OSTaskCreateExt()`, you must know how the stack grows (see `OS_CPU.H` of the processor you are using) because you must pass the task's top-of-stack, which can either be the lowest memory location of the stack (when `OS_STK_GROWTH` is 0) or the highest memory location of the stack (when `OS_STK_GROWTH` is 1), to `OSTaskCreateExt()`.
- (6) Once `OSTaskStkInit()` has completed setting up the stack, `OSTaskCreateExt()` calls `OS_TCBInit()` to obtain and initialize an `OS_TCB` from the pool of free `OS_TCBs`. The code for `OS_TCBInit()` is described in section section 3.03, Task Control Blocks.
- (10) If `OS_TCBInit()` failed, the priority level is relinquished by setting the entry in `OSTCBPrioTbl[prio]` to 0.
- (7) & (8) & (9) Finally, if `OSTaskCreateExt()` is called once multitasking has started (i.e., `OSRunning` is set to `TRUE`), the scheduler is called to determine whether the created task has a higher priority than its creator. Creating a higher priority task results in a context switch to the new task. If the task was created before multitasking started [i.e., you did not call `OSStart()` yet], the scheduler is not called.

Task Stacks

Each task must have its own stack space. A stack must be declared as being of type `OS_STK` and must consist of contiguous memory locations. You can allocate stack space either statically (at compile time) or dynamically (at run time). A static stack declaration is shown in Listings 4.3 and 4.4. Either declaration is made outside a function

```
static OS_STK MyTaskStack[stack_size];
```

Listing - Listing 4.3 Static stack.

or

```
OS_STK MyTaskStack[stack_size];
```

Listing - Listing 4.4 Static stack.

You can allocate stack space dynamically by using the C compiler's `malloc()` function as shown in Listing 4.5. However, you must be careful with fragmentation. Specifically, if you create and delete tasks, your memory allocator may not be able to return a stack for your task(s) because the heap eventually becomes fragmented.

```
OS_STK *pstk;

pstk = (OS_STK *)malloc(stack_size);
if (pstk != (OS_STK *)0) { /* Make sure malloc() has enough space */
    Create the task;
}
```

Listing - Listing 4.5 Using `malloc()` to allocate stack space for a task.

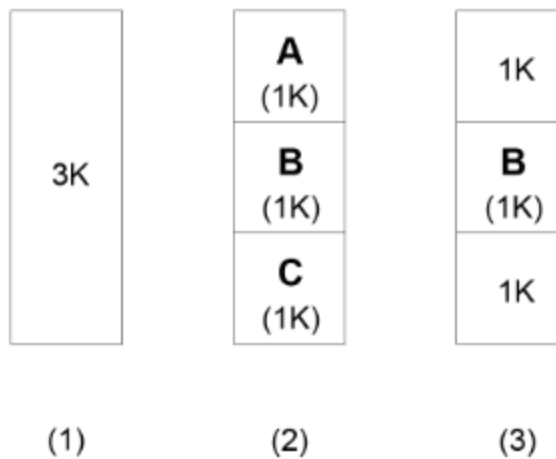


Figure - Figure 4.1 Fragmentation

- (1) Figure 4.1 illustrates a heap containing 3Kb of available memory that can be allocated with malloc(). For the sake of discussion, you create three tasks (tasks A, B, and C), each requiring 1Kb.
- (2) Assume that the first 1Kb is given to task A, the second to task B, and the third to task C.
- (3) Your application then deletes task A and task C and relinquishes the memory to the heap using free(). Your heap now has 2Kb of memory free, but it's not contiguous. This means that you cannot create another task (i.e., task D) that requires 2 Kb because your heap is fragmented. If, however, you never delete a task, the use of malloc() is perfectly acceptable.

Because µC/OS-II supports processors with stacks that grow either from high to low memory or from low to high memory, you must know how the stack grows when you call either OSTaskCreate() or OSTaskCreateExt() because you need to pass the task's top-of-stack to these functions. When OS_STK_GROWTH is set to 0 in OS_CPU.H, you need to pass the lowest memory location of the stack to the task create function as shown in Listing 4.6.

```
OS_STK TaskStk[TASK_STK_SIZE];  
  
OSTaskCreate(task, pdata, &TaskStk[0], prio);
```

Listing - Listing 4.6 Stack grows from low to high memory.

When `OS_STK_GROWTH` is set to 1 in `OS_CPU.H`, you need to pass the highest memory location of the stack to the task create function as shown in Listing 4.7.

```
OS_STK TaskStk[TASK_STK_SIZE];

OSTaskCreate(task, pdata, &TaskStk[TASK_STK_SIZE-1], prio);
```

Listing - Listing 4.7 Stack grows from high to low memory.

This requirement affects code portability. If you need to port your code from a processor architecture that supports a downward-growing stack to one that supports an upward-growing stack, you may need to make your code handle both cases. Specifically, Listings 4.6 and 4.7 are rewritten as shown in Listing 4.8.

```
OS_STK TaskStk[TASK_STK_SIZE];

#if OS_STK_GROWTH == 0
    OSTaskCreate(task, pdata, &TaskStk[0], prio);
#else
    OSTaskCreate(task, pdata, &TaskStk[TASK_STK_SIZE-1], prio);
#endif
```

Listing - Listing 4.8 Supporting stacks that grow in either direction.

The size of the stack needed by your task is application specific. When sizing the stack, however, you must account for nesting of all the functions called by your task, the number of local variables that will be allocated by all functions called by your task, and the stack requirements for all nested interrupt service routines. In addition, your stack must be able to store all CPU registers.

Stack Checking, `OSTaskStkChk()`

Sometimes it is necessary to determine how much stack space a task actually uses. This allows you to reduce the amount of RAM needed by your application code by not overallocating stack space. µC/OS-II provides `OSTaskStkChk()`, which provides you with this valuable information.

In order to use the µC/OS-II stack-checking facilities, you must do the following.

- Set `OS_TASK_CREATE_EXT` to 1 in `OS_CFG.H`.

- Create a task using OSTaskCreateExt() and give the task much more space than you think it really needs. You can call OSTaskStkChk() for any task, from any task.
- Set the opt argument in OSTaskCreateExt() to OS_TASK_OPT_STK_CLR + OS_TASK_OPT_STK_CLR. Note that if your startup code clears all RAM and you never delete tasks once they are created, you don't need to set the OS_TASK_OPT_STK_CLR option. This reduces the execution time of OSTaskCreateExt().
- Call OSTaskStkChk() from a task by specifying the priority of the task you want to check. You can inquire about any task stack not just the running task.

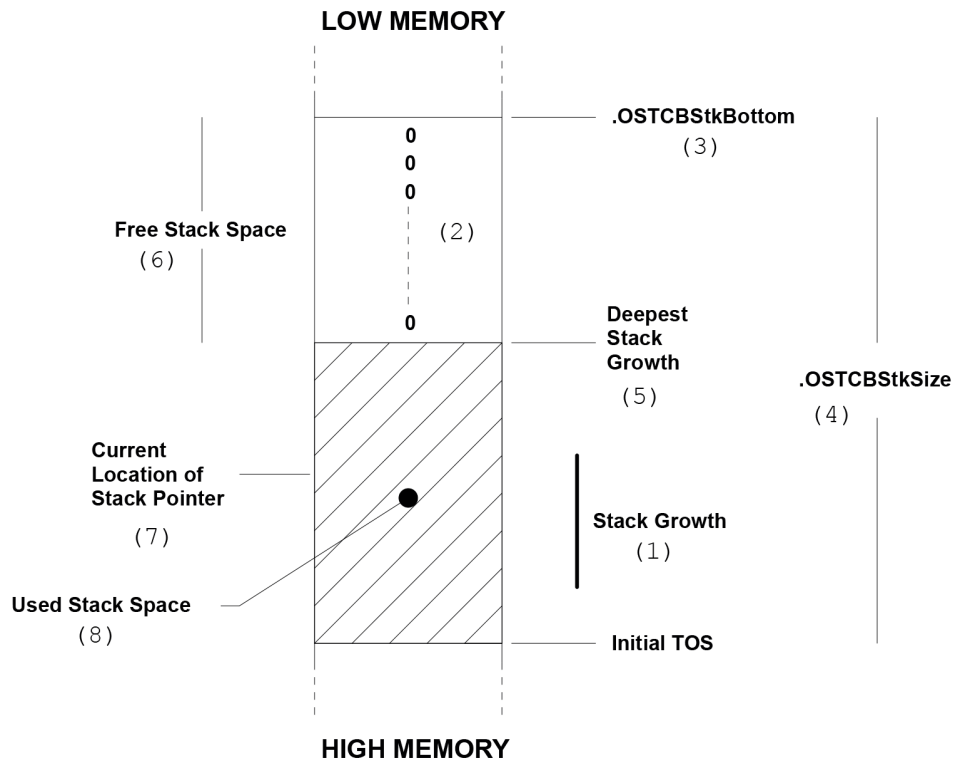


Figure - Figure 4.2 Stack checking

- (1) In Figure 4.2, I assume that the stack grows from high memory to low memory (i.e., OS_STK_GROWTH is set to 1) but the following discussion applies equally well to a stack

growing in the opposite direction. µC/OS-II determines stack growth by looking at the contents of the stack itself. Stack checking is performed on demand as opposed to continuously.

- (2) To perform stack checking, µC/OS-II requires that the stack be filled with zeros when the task is created.
- (3) & (4) Also, µC/OS-II needs to know the location of the bottom-of-stack (BOS) and the size of the stack you assigned to the task. These two values are stored in the task's `OS_TCB` when the task is created, but only if created with `OSTaskCreateExt()`.
- (5) `OSTaskStkChk()` computes the amount of free stack space by “walking” from the bottom of the stack and counting the number of zero-value entries on the stack until a nonzero value is found. Note that stack entries are checked using the data type of the stack (see `OS_STK` in `OS_CPU.H`). In other words, if a stack entry is 32 bits wide, the comparison for a zero value is done using 32 bits.
- (6) & (8) The amount of stack space used is obtained by subtracting the number of zero-value entries from the stack size you specified in `OSTaskCreateExt()`. `OSTaskStkChk()` actually places the number of bytes free and the number of bytes used in a data structure of type `OS_STK_DATA` (see `uCOS_II.H`).
- (7) Note that at any given time, the stack pointer for the task being checked may be pointing somewhere between the initial top-of-stack (TOS) and the deepest stack growth.
- (5) Also, every time you call `OSTaskStkChk()`, you may get a different value for the amount of free space on the stack until your task has reached its deepest growth.

You need to run the application long enough and under your worst case conditions to get proper numbers. Once `OSTaskStkChk()` provides you with the worst case stack requirement, you can go back and set the final size of your stack. You should accommodate system expansion, so make sure you allocate between 10 and 100 percent more stack than what `OSTaskStkChk()` reports. What you should get from stack checking is a ballpark figure; you are not looking for an exact stack usage.

The code for `OSTaskStkChk()` is shown in Listing 4.9. The data structure `OS_STK_DATA` (see `uCOS_II.H`) is used to hold information about the task stack. I decided to use a data structure for

two reasons. First, I consider `OSTaskStkChk()` to be a query-type function, and I wanted to have all query functions work the same way — return data about the query in a data structure. Second, passing data in a data structure is efficient and allows me to add additional fields in the future without changing the API (Application Programming Interface) of `OSTaskStkChk()`. For now, `OS_STK_DATA` only contains two fields: `OSFree` and `OSUsed`. As you can see, you invoke `OSTaskStkChk()` by specifying the priority of the task you want to perform stack checking on.

```
INT8U OSTaskStkChk (INT8U prio, OS_STK_DATA *pdata)
{
    #if OS_CRITICAL_METHOD == 3
        OS_CPU_SR cpu_sr;
    #endif
    OS_TCB *ptcb;
    OS_STK *pchk;
    INT32U free;
    INT32U size;

    #if OS_ARG_CHK_EN > 0u
        if (prio > OS_LOWEST_PRIO) {
            if (prio != OS_PRIO_SELF) {
                return (OS_ERR_PRIO_INVALID);
            }
        }
        if (p_stk_data == (OS_STK_DATA *)0) {
            return (OS_ERR_PDATA_NULL);
        }
    #endif
    pdata->OSFree = 0u;
    pdata->OSUsed = 0u;
    OS_ENTER_CRITICAL();
    if (prio == OS_PRIO_SELF) {
        prio = OSTCBCur->OSTCBPrio;
    }
    ptcb = OSTCBPrioTbl[prio];
    if (ptcb == (OS_TCB *)0) {
        OS_EXIT_CRITICAL();
        return (OS_ERR_TASK_NOT_EXIST);
    }
    if (ptcb == OS_TCB_RESERVED) {
        OS_EXIT_CRITICAL();
        return (OS_ERR_TASK_NOT_EXIST);
    }

    if ((ptcb->OSTCBOpt & OS_TASK_OPT_STK_CHK) == 0u) {
        OS_EXIT_CRITICAL();
        return (OS_ERR_TASK_OPT);
    }
    free = 0u;
    size = ptcb->OSTCBStkSize;
    pchk = ptcb->OSTCBStkBottom;
    OS_EXIT_CRITICAL();
    #if OS_STK_GROWTH == 1u
        while (*pchk++ == (OS_STK)0) {
            free++;
        }
    #else
        while (*pchk-- == (OS_STK)0) {
            free++;
        }
    #endif
    pdata->OSFree = free * sizeof(OS_STK);
    pdata->OSUsed = (size - free) * sizeof(OS_STK);
    return (OS_ERR_NONE);
}
```

Listing - Listing 4.9 Stack-checking function.

- (1) If `OS_ARG_CHK_EN` is set to 1 in `OS_CFG.H`, `OSTaskStkChk()` verifies that the priority is within valid range.
- (2) If you specify `OS_PRIO_SELF`, it is assumed that you want to know the stack information about the current task.
- (3) Obviously, the task must exist. Simply checking for the presence of a non-NULL pointer in `OSTCBPrioTbl[]` ensures this.
- (4) To perform stack checking, you must have created the task using `OSTaskCreateExt()` and you must have passed the option `OS_TASK_OPT_STK_CHK`. If you would called `OSTaskStkChk()` from a task that was created by `OSTaskCreate()` (instead of `OSTaskCreateExt()`) then the `opt` argument (passed to `OS_TCBInit()`) would have been 0 and the test would fail.
- (5) If all the proper conditions are met, `OSTaskStkChk()` computes the free stack space as described above by walking from the bottom of stack until a nonzero stack entry is encountered.
- (6) Finally, the information that is stored in `OS_STK_DATA` is computed. Note that the function computes the actual number of bytes free and the number of bytes used on the stack as opposed to the number of elements. Obviously, the actual stack size (in bytes) can be obtained by adding these two values.

Deleting a Task, `OSTaskDel()`

Sometimes it is necessary to delete a task. Deleting a task means that the task will be returned to the DORMANT state (see section 3.02, Task States) and does not mean that the code for the task will be deleted. The task code is simply no longer scheduled by μC/OS-II. You delete a task by calling `OSTaskDel()` (Listing 4.10).

```

INT8U OSTaskDel (INT8U prio)
{
    #if OS_CRITICAL_METHOD == 3
        OS_CPU_SR    cpu_sr;
    #endif

    #if OS_EVENT_EN > 0
        OS_EVENT    *pevent;
    #endif
    #if (OS_FLAG_EN > 0u) && (OS_MAX_FLAGS > 0u)
        OS_FLAG_NODE *pnode;
    #endif
    OS_TCB    *ptcb;

    if (OSIntNesting > 0) {                                (1)
        return (OS_ERR_TASK_DEL_ISR);
    }
    if (prio == OS_TASK_IDLE_PRIO) {                       (2)
        return (OS_ERR_TASK_DEL_IDLE);
    }
    #if OS_ARG_CHK_EN > 0
        if (prio >= OS_LOWEST_PRIO && prio != OS_PRIO_SELF) { (3)
            return (OS_ERR_PRIO_INVALID);
        }
    #endif
    OS_ENTER_CRITICAL();
    if (prio == OS_PRIO_SELF) {                            (4)
        prio = OSTCBCur->OSTCBPrio;
    }
    ptcb = OSTCBPrioTbl[prio];
    if (ptcb != (OS_TCB *)0) {                             (5)
        OS_EXIT_CRITICAL();
        return (OS_ERR_TASK_NOT_EXIST);
    }
    if (ptcb == OS_TCB_RESERVED) {
        OS_EXIT_CRITICAL();
        return (OS_ERR_TASK_DEL);
    }

    OSRdyTbl[ptcb->OSTCBY] &= (OS_PRIO)~ptcb->OSTCBBitX; (6)
    if (OSRdyTbl[ptcb->OSTCBY] == 0u) {
        OSRdyGrp    &= (OS_PRIO)~ptcb->OSTCBBitY;
    }

    #if (OS_EVENT_EN)
        if (ptcb->OSTCBEventPtr != (OS_EVENT *)0) {        (7)
            OS_EventTaskRemove(ptcb, ptcb->OSTCBEventPtr); /
        }
    #if (OS_EVENT_MULTI_EN > 0u)
        if (ptcb->OSTCBEventMultiPtr != (OS_EVENT **)0) {
            OS_EventTaskRemoveMulti(ptcb, ptcb->OSTCBEventMultiPtr);
        }
    #endif
    #endif
    #endif

    #if (OS_FLAG_EN > 0u) && (OS_MAX_FLAGS > 0u)
        pnode = ptcb->OSTCBFlagNode;                       (8)
        if (pnode != (OS_FLAG_NODE *)0) {
            OS_FlagUnlink(pnode);
        }
    #endif

    ptcb->OSTCBDly    = 0u;                                (9)
    ptcb->OSTCBStat    = OS_STAT_RDY;                     (10)
    ptcb->OSTCBStatPend = OS_STAT_PEND_OK;
}

```

```

    if (OSLockNesting < 255u) {
        OSLockNesting++;
    }
    OS_EXIT_CRITICAL();
    OS_Dummy();
    OS_ENTER_CRITICAL();
    if (OSLockNesting > 0u) {
        OSLockNesting--;
    }
    OSTaskDelHook(ptcb);

#if OS_TASK_CREATE_EXT_EN > 0u
#if defined(OS_TLS_TBL_SIZE) && (OS_TLS_TBL_SIZE > 0u)
    OS_TLS_TaskDel(ptcb);
#endif
#endif

    OSTaskCtr--;
    OSTCBPrioTbl[prio] = (OS_TCB *)0;
    if (ptcb->OSTCBPrev == (OS_TCB *)0) {
        ptcb->OSTCBNext->OSTCBPrev = (OS_TCB *)0;
        OSTCBList = ptcb->OSTCBNext;
    } else {
        ptcb->OSTCBPrev->OSTCBNext = ptcb->OSTCBNext;
        ptcb->OSTCBNext->OSTCBPrev = ptcb->OSTCBPrev;
    }
    ptcb->OSTCBNext = OSTCBFreeList;
    OSTCBFreeList = ptcb;
#if OS_TASK_NAME_EN > 0u
    ptcb->OSTCBTaskName = (INT8U *)"(void *)"?";
#endif

    OS_EXIT_CRITICAL();
    if (OSRunning == OS_TRUE) {
        OS_Sched();
    }
    return (OS_ERR_NONE);
}

```

Listing - Listing 4.10 Task delete.

- (1) OSTaskDel() starts off by making sure you are not attempting to delete a task from within an ISR because that's not allowed.
- (2) OSTaskDel() checks that you are not attempting to delete the idle task because this is also not allowed.
- (3) You are allowed to delete the statistic task (OS_LOWEST_PRIO-1) and all higher priority tasks (i.e. the task priority has a lower number).
- (4) The caller can delete itself by specifying OS_PRIO_SELF as the argument.
- (5) OSTaskDel() verifies that the task to delete does in fact exist . This test obviously will

pass if you specified `OS_PRIO_SELF`. I didn't want to create a separate case for this situation because it would have increased code size and thus execution time. If `OS_PRIO_SELF` is specified, we simply obtain the priority of the current task which is stored in its `OS_TCB`.

Once all conditions are satisfied, the `OS_TCB` is removed from all possible µC/OS-II data structures. `OSTaskDel()` does this in two parts to reduce interrupt latency.

- (6) First, if the task is in the ready list, it is removed.
- (7) If the task is in a list waiting for a mutex, mailbox, queue, or semaphore, it is removed from that list.
- (8) If the task is in a list waiting for an event flag, it is removed from that list.
- (9) Next, `OSTaskDel()` forces the delay count to zero to make sure that the tick ISR will not ready this task once you re-enable interrupts.
- (10) `OSTaskDel()` sets the task's `.OSTCBStat` flag to `OS_STAT_RDY`. Note that `OSTaskDel()` is not trying to make the task ready, it is simply preventing another task or an ISR from resuming this task [i.e., in case the other task or ISR calls `OSTaskResume()`]. This situation could occur because `OSTaskDel()` will be re-enabling interrupts (see L4.10(12)), so an ISR can make a higher priority task ready, which could resume the task you are trying to delete. Instead of setting the task's `.OSTCBStat` flag to `OS_STAT_RDY`, I simply could have cleared the `OS_STAT_SUSPEND` bit (which would have been clearer), but this takes slightly more processing time.
- (11) At this point, the task to delete cannot be made ready to run by another task or an ISR because it's been removed from the ready list, it's not waiting for an event to occur, it's not waiting for time to expire, and it cannot be resumed. For all intents and purposes, the task is DORMANT. Because of this, `OSTaskDel()` must prevent the scheduler from switching to another task because if the current task is almost deleted, it could not be rescheduled!
- (12) At this point, `OSTaskDel()` re-enables interrupts in order to reduce interrupt latency. `OSTaskDel()` could thus service an interrupt, but because it incremented `OSLockNesting`,

the ISR would return to the interrupted task. Note that `OSTaskDel()` is still not done with the deletion process because it needs to unlink the `OS_TCB` from the TCB chain and return the `OS_TCB` to the free `OS_TCB` list.

- (13) Note also that I call the dummy function `OS_Dummy()` immediately after calling `OS_EXIT_CRITICAL()`. I do this because I want to make sure that the processor executes at least one instruction with interrupts enabled. On many processors, executing an interrupt enable instruction forces the CPU to have interrupts disabled until the end of the next instruction! The Intel 80x86 and Zilog Z-80 processors actually work like this. Enabling and immediately disabling interrupts would behave just as if I didn't enable interrupts. This would of course increase interrupt latency. Calling `OS_Dummy()` thus ensures that I execute a call and a return instruction before re-disabling interrupts. You could certainly replace `OS_Dummy()` with a macro that executes a "no-operation" instruction and thus slightly reduce the execution time of `OSTaskDel()`. I didn't think it was worth the effort of creating yet another macro that would require porting.
- (14) `OSTaskDel()` can now continue with the deletion process of the task. After `OSTaskDel()` re-disables interrupts, `OSTaskDel()` re-enables scheduling by decrementing the lock nesting counter.
- (15) `OSTaskDel()` then calls the user-definable task delete hook `OSTaskDelHook()`. This allows user-defined `OS_TCB` extensions to be relinquished.
- (16) Next, `OSTaskDel()` decrements the task counter to indicate that there is one less task being managed by µC/OS-II.
- (17) `OSTaskDel()` removes the `OS_TCB` from the priority table by simply replacing the link to the `OS_TCB` of the task being deleted with a NULL pointer.
- (18) `OSTaskDel()` then removes the `OS_TCB` of the task being deleted from the doubly linked list of `OS_TCBs` that starts at `OSTCBList`. Note that there is no need to check for the case where `ptcb->OSTCBNext == 0` because `OSTaskDel()` cannot delete the idle task, which always happens to be at the end of the chain.
- (19) The `OS_TCB` is returned to the free list of `OS_TCBs` to allow another task to be created.
- (20) Last, but not least, the scheduler is called to see if a higher priority task has been made ready to run by an ISR that would have occurred when `OSTaskDel()` re-enabled interrupts

at step [L4.11(12)].

Requesting to Delete a Task, OSTaskDelReq()

Sometimes, a task owns resources such as memory buffers or a semaphore. If another task attempts to delete this task, the resources are not freed and thus are lost. This would lead to memory leaks which is not acceptable for just about any embedded system. In this type of situation, you somehow need to tell the task that owns these resources to delete itself when it's done with the resources. You can accomplish this with the `OSTaskDelReq()` function. Both the requestor and the task to be deleted need to call `OSTaskDelReq()`. The requestor code is shown in Listing 4.11.

```
void RequestorTask (void *pdata)
{
    INT8U err;

    pdata = pdata;
    for (;;) {
        /* Application code */
        if ('TaskToBeDeleted()' needs to be deleted) { (1)
            while (OSTaskDelReq(TASK_TO_DEL_PRIOR) != OS_TASK_NOT_EXIST) { (2)
                OSTimeDly(1); (3)
            }
        }
        /* Application code */ (4)
    }
}
```

Listing - Listing 4.11 Requester code requesting a task to delete itself.

- (1) The task that makes the request needs to determine what conditions would cause a request for the task to be deleted. In other words, your application determines what conditions lead to this decision.
- (2) If the task needs to be deleted, call `OSTaskDelReq()` by passing the priority of the task to be deleted. If the task to delete does not exist, `OSTaskDelReq()` returns `OS_TASK_NOT_EXIST`. You would get this if the task to delete has already been deleted or has not been created yet. If the return value is `OS_NO_ERR`, the request has been accepted but the task has not been deleted yet. You may want to wait until the task to be deleted does in fact delete itself.

- (3) You can do this by delaying the requestor for a certain amount of time, as I did in. I decided to delay for one tick, but you can certainly wait longer if needed.
- (4) When the requested task eventually deletes itself, the return value in L4.11(2) is `OS_TASK_NOT_EXIST` and the loop exits.

The pseudocode for the task that needs to delete itself is shown in Listing 4.12. This task basically polls a flag that resides inside the task's `OS_TCB`. The value of this flag is obtained by calling `OSTaskDelReq(OS_PRIO_SELF)`.

```
void TaskToBeDeleted (void *pdata)
{
    INT8U err;

    pdata = pdata;
    for (;;) {
        /* Application code */
        if (OSTaskDelReq(OS_PRIO_SELF) == OS_TASK_DEL_REQ) {           (1)
            Release any owned resources;                               (2)
            De-allocate any dynamic memory;
            OSTaskDel(OS_PRIO_SELF);                                   (3)
        } else {
            /* Application code */
        }
    }
}
```

Listing - Listing 4.12 Task requesting to delete itself.

- (1) When `OSTaskDelReq()` returns `OS_TASK_DEL_REQ` to its caller, it indicates that another task has requested that this task needs to be deleted.
- (2) & (3) In this case, the task to be deleted releases any resources owned and calls `OSTaskDel(OS_PRIO_SELF)` to delete itself. As previously mentioned, the code for the task is not actually deleted. Instead, µC/OS-II simply does not schedule the task for execution. In other words, the task code will no longer run. You can, however, recreate the task by calling either `OSTaskCreate()` or `OSTaskCreateExt()`.

The code for `OSTaskDelReq()` is shown in Listing 4.13. As usual, `OSTaskDelReq()` needs to

check for boundary conditions.

```
INT8U OSTaskDelReq (INT8U prio)
{
  #if OS_CRITICAL_METHOD == 3
    OS_CPU_SR cpu_sr;
  #endif
  BOOLEAN  stat;
  INT8U    err;
  OS_TCB   *ptcb;

  if (prio == OS_IDLE_PRIO) {                (1)
    return (OS_ERR_TASK_DEL_IDLE);
  }

  #if OS_ARG_CHK_EN > 0
    if (prio >= OS_LOWEST_PRIO && prio != OS_PRIO_SELF) { (2)
      return (OS_ERR_PRIO_INVALID);
    }
  #endif
  if (prio == OS_PRIO_SELF) {               (3)
    OS_ENTER_CRITICAL();
    stat = OSTCBCur->OSTCBDelReq;
    OS_EXIT_CRITICAL();
    return (stat);
  }
  OS_ENTER_CRITICAL();
  ptcb = OSTCBPrioTbl[prio];

  if (ptcb == (OS_TCB *)0) {                (4)
    OS_EXIT_CRITICAL();
    return (OS_ERR_TASK_NOT_EXIST);         (6)
  }
  if (ptcb == OS_TCB_RESERVED) {
    OS_EXIT_CRITICAL();
    return (OS_ERR_TASK_DEL);
  }
  ptcb->OSTCBDelReq = OS_ERR_TASK_DEL_REQ;  (5)
  OS_EXIT_CRITICAL();
  return (OS_ERR_NONE);
}
```

Listing - Listing 4.13

- (1) First, OSTaskDelReq() notifies the caller in case he requests to delete the idle task.
- (2) Next, it must ensure that the caller is not trying to request to delete an invalid priority.
- (3) If the caller is the task to be deleted, the flag stored in the OS_TCB is returned.
- (4) & (5) If you specified a task with a priority other than OS_PRIO_SELF and the task exists, OSTaskDelReq() sets the internal flag for that task.

- (6) If the task does not exist, `OSTaskDelReq()` returns `OS_TASK_NOT_EXIST` to indicate that the task must have deleted itself.

Changing a Task's Priority, `OSTaskChangePrio()`

When you create a task, you assign the task a priority. At run time, you can change the priority of any task by calling `OSTaskChangePrio()`. In other words, μC/OS-II allows you to change priorities dynamically. The code for `OSTaskChangePrio()` is shown in Listing 4.14.

```

INT8U OSTaskChangePrio (INT8U oldprio, INT8U newprio)
{
    #if OS_CRITICAL_METHOD == 3
        OS_CPU_SR    cpu_sr;
    #endif

    #if OS_EVENT_EN > 0
        OS_EVENT    *pevent;
    #endif

    OS_TCB    *ptcb;
    INT8U     x;
    INT8U     y;
    INT8U     bitx;
    INT8U     bity;

    #if OS_ARG_CHK_EN > 0u
        if (oldprio >= OS_LOWEST_PRIO) {
            if (oldprio != OS_PRIO_SELF) {
                return (OS_ERR_PRIO_INVALID);
            }
        }
        if (newprio >= OS_LOWEST_PRIO) {
            return (OS_ERR_PRIO_INVALID);
        }
    #endif

    OS_ENTER_CRITICAL();
    if (OSTCBPrioTbl[newprio] != (OS_TCB *)0) {
        OS_EXIT_CRITICAL();
        return (OS_ERR_PRIO_EXIST);
    }
    if (oldprio == OS_PRIO_SELF) {
        oldprio = OSTCBCur->OSTCBPrio;
    }

    ptcb = OSTCBPrioTbl[oldprio];
    if (ptcb == (OS_TCB *)0) {
        OS_EXIT_CRITICAL();
        return (OS_ERR_PRIO);
    }
    if (ptcb == OS_TCB_RESERVED) {
        OS_EXIT_CRITICAL();
        return (OS_ERR_TASK_NOT_EXIST);
    }
    #if OS_LOWEST_PRIO <= 63u
        y_new      = (INT8U)(newprio >> 3u);
        x_new      = (INT8U)(newprio & 0x07u);
    #else
        y_new      = (INT8U)((INT8U)(newprio >> 4u) & 0x0Fu);
        x_new      = (INT8U)(newprio & 0x0Fu);
    #endif
    bity_new      = (OS_PRIO)(1uL << y_new);
    bitx_new      = (OS_PRIO)(1uL << x_new);
    OSTCBPrioTbl[oldprio] = (OS_TCB *)0;
    OSTCBPrioTbl[newprio] = ptcb;
    y_old         = ptcb->OSTCBy;
    bity_old      = ptcb->OSTCBBitY;
    bitx_old      = ptcb->OSTCBBitX;
    if ((OSRdyTbl[y_old] & bitx_old) != 0u) {
        OSRdyTbl[y_old] &= (OS_PRIO)~bitx_old;
        if (OSRdyTbl[y_old] == 0u) {
            OSRdyGrp &= (OS_PRIO)~bity_old;
        }
        OSRdyGrp    |= bity_new;
    }
}

```

```

        OSRdyTbl[y_new] |= bitx_new;
    }
    #if (OS_EVENT_EN)
        pevent = ptcb->OSTCBEventPtr;
        if (pevent != (OS_EVENT *)0) {
            pevent->OSEventTbl[y_old] &= (OS_PRIO)~bitx_old;
            if (pevent->OSEventTbl[y_old] == 0u) {
                pevent->OSEventGrp    &= (OS_PRIO)~bity_old;
            }
            pevent->OSEventGrp        |= bity_new;
            pevent->OSEventTbl[y_new] |= bitx_new;
        }
    #if (OS_EVENT_MULTI_EN > 0u)
        if (ptcb->OSTCBEventMultiPtr != (OS_EVENT **)0) {
            pevents = ptcb->OSTCBEventMultiPtr;
            pevent = *pevents;
            while (pevent != (OS_EVENT *)0) {
                pevent->OSEventTbl[y_old] &= (OS_PRIO)~bitx_old;
                if (pevent->OSEventTbl[y_old] == 0u) {
                    pevent->OSEventGrp    &= (OS_PRIO)~bity_old;
                }
                pevent->OSEventGrp        |= bity_new;
                pevent->OSEventTbl[y_new] |= bitx_new;
                pevents++;
                pevent = *pevents;
            }
        }
    #endif
    #endif
    ptcb->OSTCBPrio = newprio;

    ptcb->OSTCBBY = y_new;
    ptcb->OSTCBX = x_new;
    ptcb->OSTCBBitY = bity_new;
    ptcb->OSTCBBitX = bitx_new;
    OS_EXIT_CRITICAL();
    if (OSRunning == OS_TRUE) {
        OS_Sched();
    }
    return (OS_ERR_NONE);
}

```

Listing - Listing 4.14

- (1) You cannot change the priority of the idle task. You can change either the priority of the calling task or another task. To change the priority of the calling task, either specify the old priority of that task or specify `OS_PRIO_SELF`, and `OSTaskChangePrio()` will determine what the priority of the calling task is for you. You must also specify the new (i.e., desired) priority.
- (2) Because µC/OS-II cannot have multiple tasks running at the same priority, `OSTaskChangePrio()` needs to check that the new desired priority is available.
- (3) Here we are making sure that the priority we are changing does indeed exist.

- (4) `OSTaskChangePrio()` precomputes some values that are stored in the task's `OS_TCB`. These values are used to put or remove the task in or from the ready list (see section 3.04, Ready List).
- (5) If the task that we are changing for is ready to run then we need to remove the task from the ready list at the current priority and insert it in the ready list at the new priority.
- (6) If the task is not ready, it could be waiting on a semaphore, mailbox, or queue. `OSTaskChangePrio()` knows that the task is waiting for one of these events if the `OSTCBEventPtr` is non-NULL. If the task is waiting for an event, `OSTaskChangePrio()` must remove the task from the wait list (at the old priority) of the event control block (see Chapter 6, Event Control Blocks) and insert the task back into the wait list, but this time at the new priority. The task could be waiting for time to expire (see Chapter 5, Time Management) or the task could be suspended [see section 4.07, Suspending a Task, `OSTaskSuspend()`].
- (7) Pre-computed are then saved in the task's TCB.

After `OSTaskChangePrio()` exits the critical section, the scheduler is called in case the new priority is higher than the old priority or the priority of the calling task.

Suspending a Task, `OSTaskSuspend()`

Sometimes it is useful to explicitly suspend the execution of a task. This is accomplished with the `OSTaskSuspend()` function call. A suspended task can only be resumed by calling the `OSTaskResume()` function call. Task suspension is additive. This means that if the task being suspended is also waiting for time to expire, the suspension needs to be removed and the time needs to expire in order for the task to be ready to run. A task can suspend either itself or another task.

The code for `OSTaskSuspend()` is shown in Listing 4.15.

```
INT8U OSTaskSuspend (INT8U prio)
{
  #if OS_CRITICAL_METHOD == 3
    OS_CPU_SR cpu_sr;
  #endif
  BOOLEAN self;
  OS_TCB *ptcb;

  #if OS_ARG_CHK_EN > 0
    if (prio == OS_IDLE_PRIO) { (1)
      return (OS_ERR_TASK_SUSPEND_IDLE);
    }
    if (prio >= OS_LOWEST_PRIO && prio != OS_PRIO_SELF) { (2)
      return (OS_ERR_PRIO_INVALID);
    }
  #endif
  OS_ENTER_CRITICAL();
  if (prio == OS_PRIO_SELF) { (3)
    prio = OSTCBCur->OSTCBPrio;
    self = OS_TRUE;
  } else if (prio == OSTCBCur->OSTCBPrio) { (4)
    self = OS_TRUE;
  } else {
    self = OS_FALSE;
  }
  ptcb = OSTCBPrioTbl[prio];
  if (ptcb == (OS_TCB *)0) { (5)
    OS_EXIT_CRITICAL();
    return (OS_ERR_TASK_SUSPEND_PRIO);
  }

  OSRdyTbl[y] &= (OS_PRIO)~ptcb->OSTCBBitX; (6)
  if (OSRdyTbl[y] == 0u) {
    OSRdyGrp &= (OS_PRIO)~ptcb->OSTCBBitY;
  }
  ptcb->OSTCBStat |= OS_STAT_SUSPEND; (7)
  OS_EXIT_CRITICAL();
  if (self == OS_TRUE) { (8)
    OS_Sched();
  }
  return (OS_ERR_NONE);
}
```

Listing - Listing 4.15

- (1) OSTaskSuspend() ensures that your application is not attempting to suspend the idle task.
- (2) Next, you must specify a valid priority. Remember that the highest valid priority number (i.e., lowest priority) is OS_LOWEST_PRIO. Note that you can suspend the statistic task. You may have noticed that the first test [L4.15(1)] is replicated in [L4.15(2)]. I did this to be backward compatible with µC/OS. The first test could be removed to save a little bit of processing time, but this is really insignificant so I decided to leave it.
- (3) Next, OSTaskSuspend() checks to see if you specified to suspend the calling task by

specifying `OS_PRIO_SELF`. In this case, the current task's priority is retrieved from its `OS_TCB`.

- (4) You could also decided to suspend the calling task by specifying its priority. In both of these cases, the scheduler needs to be called. This is why I created the local variable `self`, which will be examined at the appropriate time. If you are not suspending the calling task, then `OSTaskSuspend()` does not need to run the scheduler because the calling task is suspending a lower priority task.
- (5) `OSTaskSuspend()` then checks to see that the task to suspend exists.
- (6) If so, it is removed from the ready list. Note that the task to suspend may not be in the ready list because it could be waiting for an event or for time to expire. In this case, the corresponding bit for the task to suspend in `OSRdyTb1[]` would already be cleared (i.e., 0). Clearing it again is faster than checking to see if it's clear and then clearing it if it's not.
- (7) Now `OSTaskSuspend()` sets the `OS_STAT_SUSPEND` flag in the task's `OS_TCB` to indicate that the task is now suspended.
- (8) Finally, `OSTaskSuspend()` calls the scheduler only if the task being suspended is the calling task.

Resuming a Task, `OSTaskResume()`

As mentioned in the previous section, a suspended task can only be resumed by calling `OSTaskResume()`. The code for `OSTaskResume()` is shown in Listing 4.16.

```

INT8U OSTaskResume (INT8U prio)
{
    #if OS_CRITICAL_METHOD == 3
        OS_CPU_SR cpu_sr;
    #endif
    OS_TCB *ptcb;

    #if OS_ARG_CHK_EN > 0
        if (prio >= OS_LOWEST_PRIO) {           (1)
            return (OS_ERR_PRIO_INVALID);
        }
    #endif
    OS_ENTER_CRITICAL();
    ptcb = OSTCBPrioTbl[prio];
    if (ptcb == (OS_TCB *)0) {                 (2)
        OS_EXIT_CRITICAL();
        return (OS_ERR_TASK_RESUME_PRIO);
    }

    if ((ptcb->OSTCBStat & OS_STAT_SUSPEND) != OS_STAT_RDY) {   (3)
        ptcb->OSTCBStat &= (INT8U)~(INT8U)OS_STAT_SUSPEND;
        if ((ptcb->OSTCBStat & OS_STAT_PEND_ANY) == OS_STAT_RDY) { (4)
            if (ptcb->OSTCBDly == 0u) {         (5)
                OSRdyGrp          |= ptcb->OSTCBBitY;   (6)
                OSRdyTbl[ptcb->OSTCBBY] |= ptcb->OSTCBBitX;
                OS_EXIT_CRITICAL();
                if (OSRunning == OS_TRUE) {
                    OS_Sched();                 (7)
                }
            } else {
                OS_EXIT_CRITICAL();
            } else {
                OS_EXIT_CRITICAL();
            }
            return (OS_ERR_NONE);
        }
    }
    OS_EXIT_CRITICAL();
    return (OS_ERR_TASK_NOT_SUSPENDED);
}

```

Listing - Listing 4.17

- (1) Because OSTaskSuspend() cannot suspend the idle task, it must verify that your application is not attempting to resume this task. Note that this test also ensures that you are not trying to resume OS_PRIO_SELF (OS_PRIO_SELF is #defined to 0xFF, which is always greater than OS_LOWEST_PRIO), which wouldn't make sense – you can't resume *self* because *self* cannot possibly be suspended.
- (2) & (3) The task to resume must exist because you will be manipulating its OS_TCB , and it must also have been suspended.
- (4) OSTaskResume() removes the suspension by clearing the OS_STAT_SUSPEND bit in the .OSTCBStat field.

- (5) For the task to be ready to run, the .OSTCBDly field must be 0 because there are no flags in OSTCBStat to indicate that a task is waiting for time to expire.
- (6) The task is made ready to run only when both conditions are satisfied.
- (7) Finally, the scheduler is called to see if the resumed task has a higher priority than the calling task.

Getting Information about a Task, OSTaskQuery()

Your application can obtain information about itself or other application tasks by calling OSTaskQuery(). In fact, OSTaskQuery() obtains a copy of the contents of the desired task's OS_TCB. The fields available to you in the OS_TCB depend on the configuration of your application (see OS_CFG.H). Indeed, because µC/OS-II is scalable, it only includes the features that your application requires.

To call OSTaskQuery(), your application must allocate storage for an OS_TCB, as shown in Listing 4.17. This OS_TCB is in a totally different data space from the OS_TCBs allocated by µC/OS-II. After calling OSTaskQuery(), this OS_TCB contains a snapshot of the OS_TCB for the desired task. You need to be careful with the links to other OS_TCBs (i.e., .OSTCBNext and .OSTCBPrev); you don't want to change what these links are pointing to! In general, only use this function to see what a task is doing — a great tool for debugging.

```
void MyTask (void *pdata)
{
    OS_TCB MyTaskData;

    pdata = pdata;
    for (;;) {
        /* User code */
        err = OSTaskQuery(10, &MyTaskData);
        /* Examine error code .. */
        /* User code */
    }
}
```

Listing - Listing 4.17 Obtaining information about a task.

The code for OSTaskQuery() is shown in Listing 4.18.

```
INT8U OSTaskQuery (INT8U prio, OS_TCB *pdata)
{
    #if OS_CRITICAL_METHOD == 3
        OS_CPU_SR  cpu_sr;
    #endif
        OS_TCB    *ptcb;

    #if OS_ARG_CHK_EN > 0u
        if (prio > OS_LOWEST_PRIO) {                (1)
            if (prio != OS_PRIO_SELF) {
                return (OS_ERR_PRIO_INVALID);
            }
        }
        if (p_task_data == (OS_TCB *)0) {
            return (OS_ERR_PDATA_NULL);
        }
    #endif

    OS_ENTER_CRITICAL();
    if (prio == OS_PRIO_SELF) {                    (2)
        prio = OSTCBCur->OSTCBPrio;
    }
    ptcb = OSTCBPrioTbl[prio];
    if (ptcb == (OS_TCB *)0) {                    (3)
        OS_EXIT_CRITICAL();
        return (OS_ERR_PRIO);
    }
    if (ptcb == OS_TCB_RESERVED) {
        OS_EXIT_CRITICAL();
        return (OS_ERR_TASK_NOT_EXIST);
    }

    OS_MemCopy((INT8U *)p_task_data, (INT8U *)ptcb, sizeof(OS_TCB)); (4)

    OS_EXIT_CRITICAL();
    return (OS_ERR_NONE);
}
```

Listing - Listing 4.18

- (1) Note that I allow you to examine ALL the tasks, including the idle task. You need to be especially careful not to change what .OSTCBNext and .OSTCBPrev are pointing to.
- (2) & (3) As usual, OSTaskQuery() checks to see if you want information about the current task and that the task has been created.
- (4) All fields are copied using the assignment shown instead of field by field.

Time Management

The [Clock Tick](#) section established that µC/OS-II requires (as do most kernels) that you provide a periodic interrupt to keep track of time delays and timeouts. This periodic time source is called a clock tick and should occur between 10 and 1,000 times per second, or Hertz. The actual frequency of the clock tick depends on the desired tick resolution of your application. However, the higher the frequency of the ticker, the higher the overhead.

The section [Interrupts Under µC/OS-II](#) discussed the tick ISR (Interrupt Service Routine) as well as the function that it needs to call to notify µC/OS-II about the tick interrupt — `OSTimeTick()`.

Time Services

This chapter describes five services that deal with time issues:

- `OSTimeDly()`
- `OSTimeDlyHMSM()`
- `OSTimeDlyResume()`
- `OSTimeGet()`
- `OSTimeSet()`

The functions described in this chapter are found in the file `OS_TIME.C`.

Some of the time management services must be enabled by setting configuration constants in `OS_CFG.H`. Specifically, table 5.1 shows which services are compiled based on the value of configuration constants found in `OS_CFG.H`.

µC/OS-II Time Management Service	Enabled when set to 1 in OS_CFG.H
OSTimeDly()	
OSTimeDlyHMSM()	OS_TIME_DLY_HMSM_EN
OSTimeDlyResume()	OS_TIME_DLY_RESUME_EN
OSTimeGet()	OS_TIME_GET_SET_EN
OSTimeSet()	OS_TIME_GET_SET_EN

Table - Table 5.1 Time Management configuration constants in OS_CFG.H

Delaying a Task, OSTimeDly()

µC/OS-II provides a service that allows the calling task to delay itself for a user-specified number of clock ticks. This function is called `OSTimeDly()`. Calling this function causes a context switch and forces µC/OS-II to execute the next highest priority task that is ready to run. The task calling `OSTimeDly()` is made ready to run as soon as the time specified expires or if another task cancels the delay by calling `OSTimeDlyResume()`. Note that this task will run only when it's the highest priority task.

Listing 5.1 shows the code for `OSTimeDly()`. Your application calls this function by supplying the number of ticks to delay — a value between 1 and 65535. A value of 0 specifies no delay.

```
void OSTimeDly (INT32U ticks)
{
    INT8U    y;
    #if OS_CRITICAL_METHOD == 3u
        OS_CPU_SR  cpu_sr = 0u;
    #endif

    if (OSIntNesting > 0u) {
        return;
    }
    if (OSLockNesting > 0u) {
        return;
    }

    if (ticks > 0) {
        OS_ENTER_CRITICAL();
        y = OSTCBCur->OSTCBy;
        OSRdyTbl[y] &= (OS_PRIO)~OSTCBCur->OSTCBBitX;
        if (OSRdyTbl[y] == 0u) {
            OSRdyGrp &= (OS_PRIO)~OSTCBCur->OSTCBBitY;
        }

        OSTCBCur->OSTCBDly = ticks;
        OS_EXIT_CRITICAL();
        OSSched();
    }
}
```

Listing - Listing 5.1 OSTimeDly()

- (1) If you specify a value of 0, you are indicating that you don't want to delay the task, and the function returns immediately to the caller.
- (2) A nonzero value causes OSTimeDly() to remove the current task from the ready list.
- (3) Next, the number of ticks are stored in the OS_TCB of the current task, where it is decremented on every clock tick by OSTimeTick(). You should note that the calling task is not placed in any wait list. Simply having a non-zero value in .OSTCBDly is sufficient for OSTimeTick() to know that the task has been delayed.
- (4) Finally, since the task is no longer ready, the scheduler is called so that the next highest priority task that is ready to run gets executed.

It is important to realize that the resolution of a delay is between zero and one tick. In other words, if you try to delay for only one tick, you could end up with an intermediate delay between 0 and 1 tick. This is assuming, however, that your processor is not heavily loaded. Figure 5.1 illustrates what happens.

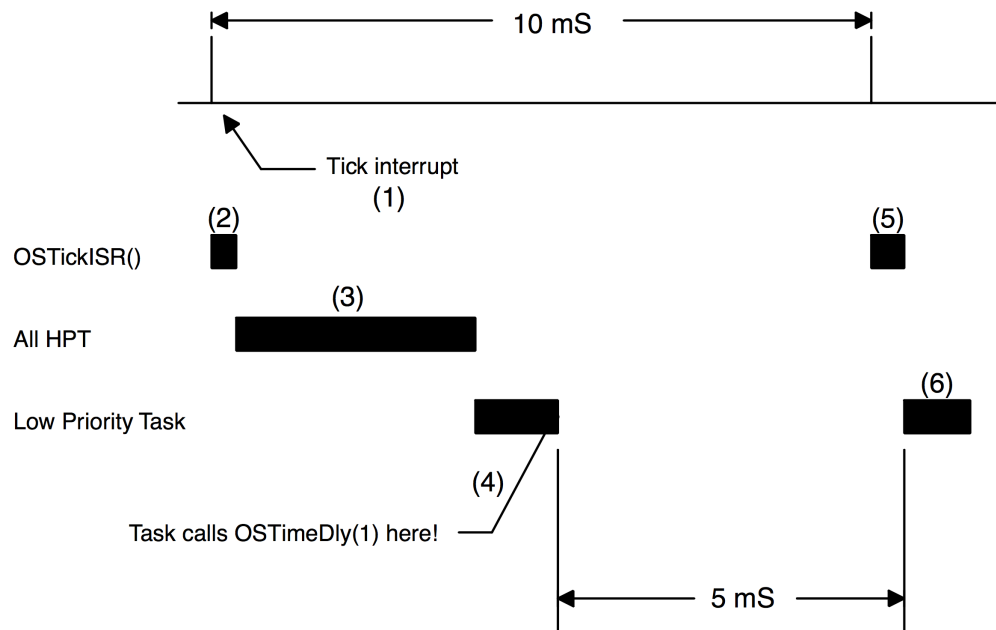


Figure - Figure 5.1 Delay resolution

- (1) A tick interrupt occurs every 10ms.
- (2) Assuming that you are not servicing any other interrupts and that you have interrupts enabled, the tick ISR will be invoked.
- (3) You may have a few high-priority tasks (HPTs) waiting for time to expire, so they will execute next.
- (4) The low-priority task (LPT) shown in Figure 5.1 then gets a chance to execute and, upon completion, calls `OSTimeDly(1)` at the moment shown. µC/OS-II puts the task to sleep until the next tick.
- (5) & (6) When the next tick arrives, the tick ISR executes, but this time there are no HPTs to execute, and µC/OS-II executes the task that delayed itself for one tick. As you can see, the task actually delayed for less than one tick! On heavily loaded systems, the task may call `OSTimeDly(1)` a few tens of microseconds before the tick occurs and thus the delay results in almost no delay because the task is immediately rescheduled. If your application must delay for at least one tick, you must call `OSTimeDly(2)`, specifying a delay of two ticks!

Delaying a Task, OSTimeDlyHMSM()

OSTimeDly() is a very useful function, but your application needs to know time in terms of ticks. You can use the global #define constant OS_TICKS_PER_SEC (see OS_CFG.H) to convert time to ticks by declaring some #defines as follows:

```
#define OS_TIME_100mS (INT16U)((INT32U)OS_TICKS_PER_SEC * 100L / 1000L)
#define OS_TIME_500mS (INT16U)((INT32U)OS_TICKS_PER_SEC * 500L / 1000L)
#define OS_TIME_2S (INT16U)(OS_TICKS_PER_SEC * 2)
```

However, this is somewhat awkward. I added the function OSTimeDlyHMSM() so that you can specify time in hours (H), minutes (M), seconds (S), and milliseconds (m), which is more natural. Like OSTimeDly(), calling this function causes a context switch and forces µC/OS-II to execute the next highest priority task that is ready to run. The task calling OSTimeDlyHMSM() is made ready to run as soon as the time specified expires or if another task cancels the delay by calling OSTimeDlyResume() [see section 5.02, Resuming a Delayed Task, OSTimeDlyResume()]. Again, this task runs only when it again becomes the highest priority task. Listing 5.2 shows the code for OSTimeDlyHMSM(). As you can see, your application calls this function by supplying the delay in hours, minutes, seconds, and milliseconds. In practice, you should avoid delaying a task for long periods of time because it's always a good idea to get some feedback activity from a task (increment a counter, blink an LED, etc.). However, if you do need long delays, µC/OS-II can delay a task for 256 hours (close to 11 days).

```
INT8U OSTimeDlyHMSM (INT8U hours, INT8U minutes, INT8U seconds, INT16U milli)
{
    INT32U ticks;

    if (OSIntNesting > 0u) {
        return (OS_ERR_TIME_DLY_ISR);
    }
    if (OSLockNesting > 0u) {
        return (OS_ERR_SCHED_LOCKED);
    }
    #if OS_ARG_CHK_EN > 0u
    if (hours == 0u) {
        if (minutes == 0u) {
            if (seconds == 0u) {
                if (ms == 0u) {
                    return (OS_ERR_TIME_ZERO_DLY);
                }
            }
        }
    }
    if (minutes > 59u) {
        return (OS_ERR_TIME_INVALID_MINUTES);
    }
    if (seconds > 59u) {
        return (OS_ERR_TIME_INVALID_SECONDS);
    }
    if (ms > 999u) {
        return (OS_ERR_TIME_INVALID_MS);
    }
    #endif
    ticks = (INT32U)hours * 3600L * OS_TICKS_PER_SEC
        + (INT32U)minutes * 60L * OS_TICKS_PER_SEC
        + (INT32U)seconds * OS_TICKS_PER_SEC
        + OS_TICKS_PER_SEC * ((INT32U)milli
        + 500L / OS_TICKS_PER_SEC) / 1000L;
    OSTimeDly(ticks);
    return (OS_ERR_NONE);
}
```

Listing - Listing 5.2

- (1) As with OSTimeDly(), OSTimeDlyHMSM() exits if you specify no delay.
- (2) OSTimeDlyHMSM() then checks that you have specified valid values for its arguments.
- (3) Because µC/OS-II only knows about ticks, the total number of ticks is computed from the specified time.
- (4) This portion of the equation determines the number of ticks given the specified milliseconds with rounding to the nearest tick. The value $500/OS_TICKS_PER_SECOND$

basically corresponds to 0.5 ticks converted to milliseconds. For example, if the tick rate (`OS_TICKS_PER_SEC`) is set to 100Hz (10ms), a delay of 4ms would result in no delay! A delay of 5ms would result in a delay of 10ms, and so on.

Resuming a Delayed Task, `OSTimeDlyResume()`

Instead of waiting for time to expire, a delayed task can be made ready to run by another task that cancels the delay. This is done by calling `OSTimeDlyResume()` and specifying the priority of the task to resume. In fact, `OSTimeDlyResume()` also can resume a task that is waiting for an event (see Chapters 7 through 11), although this is not recommended. In this case, the task pending on the event thinks it timed out waiting for the event.

The code for `OSTimeDlyResume()` is shown in Listing 5.3.

```
INT8U OSTimeDlyResume (INT8U prio)
{
    #if OS_CRITICAL_METHOD == 3
        OS_CPU_SR cpu_sr;
    #endif
    OS_TCB *ptcb;

    if (prio >= OS_LOWEST_PRIO) {
        return (OS_ERR_PRIO_INVALID);
    }
    OS_ENTER_CRITICAL();
    ptcb = (OS_TCB *)OSTCBPrioTbl[prio];
    if (ptcb == (OS_TCB *)0) {
        OS_EXIT_CRITICAL();
        return (OS_ERR_TASK_NOT_EXIST);
    }
    if (ptcb == OS_TCB_RESERVED) {
        OS_EXIT_CRITICAL();
        return (OS_ERR_TASK_NOT_EXIST);
    }
    if (ptcb->OSTCBDly == 0u) {
        OS_EXIT_CRITICAL();
        return (OS_ERR_TIME_NOT_DLY);
    }
    ptcb->OSTCBDly = 0u;
    if ((ptcb->OSTCBStat & OS_STAT_PEND_ANY) != OS_STAT_RDY) {
        ptcb->OSTCBStat    &= ~OS_STAT_PEND_ANY;
        ptcb->OSTCBStatPend = OS_STAT_PEND_TO;
    } else {
        ptcb->OSTCBStatPend = OS_STAT_PEND_OK;
    }
    if ((ptcb->OSTCBStat & OS_STAT_SUSPEND) == OS_STAT_RDY) {
        OSRdyGrp    |= ptcb->OSTCBBitY;
        OSRdyTbl[ptcb->OSTCBY] |= ptcb->OSTCBBitX;
        OS_EXIT_CRITICAL();
        OS_Sched();
    } else {
        OS_EXIT_CRITICAL();
    }
    return (OS_ERR_NONE);
}
```

Listing - Listing 5.3 Resuming a delayed task.

- (1) OSTimeDlyResume() begins by making sure the task has a valid priority.
- (2) Next, OSTimeDlyResume() verifies that the task to resume does in fact exist.
- (3) If the task exists, OSTimeDlyResume() checks to see if the task is waiting for time to expire. Whenever the OS_TCB field .OSTCBDly contains a nonzero value, the task is waiting for time to expire because the task called either OSTimeDly(), OSTimeDlyHMSM(), or any of the PEND functions described in subsequent chapters.

- (4) The delay is then canceled by forcing `.OSTCBDly` to 0.
- (5) A delayed task may also have been suspended; thus, the task is only made ready to run if the task was not suspended.
- (6) The task is placed in the ready list when the time expired.
- (7) At this point, `OSTimeDlyResume()` calls the scheduler to see if the resumed task has a higher priority than the current task. This would result in a context switch.

Note that you could also have a task delay itself by waiting on a semaphore, mutex, event flag, mailbox, or queue with a timeout (see Chapters 7 through 11). You would resume such a task by simply posting to the semaphore, mutex, event flag, mailbox, or queue, respectively. The only problem with this scenario is that it requires you to allocate an event control block (see section 6.00), so your application would consume a little bit more RAM.

System Time, OSTimeGet() and OSTimeSet()

Whenever a clock tick occurs, µC/OS-II increments a 32-bit counter. This counter starts at zero when you initiate multitasking by calling `OSStart()` and rolls over after 4,294,967,295 ticks. At a tick rate of 100Hz, this 32-bit counter rolls over every 497 days. You can obtain the current value of this counter by calling `OSTimeGet()`. You can also change the value of the counter by calling `OSTimeSet()`. The code for both functions is shown in Listing 5.4. Note that interrupts are disabled when accessing `OSTime`. This is because incrementing and copying a 32-bit value on most 8-bit processors requires multiple instructions that must be treated indivisibly.


```
INT32U OSTimeGet (void)
{
    #if OS_CRITICAL_METHOD == 3
        OS_CPU_SR cpu_sr;
    #endif
        INT32U    ticks;

        OS_ENTER_CRITICAL();
        ticks = OSTime;
        OS_EXIT_CRITICAL();
        return (ticks);
}

void OSTimeSet (INT32U ticks)
{
    #if OS_CRITICAL_METHOD == 3
        OS_CPU_SR cpu_sr;
    #endif

        OS_ENTER_CRITICAL();
        OSTime = ticks;
        OS_EXIT_CRITICAL();
}
}
```

Listing - Listing 5.4 Obtaining and setting the system time.

Timer Management

Timer API

µC/OS-II provides timer services to the application programmer and code to handle timers is found in `os_tmr.c`. Timer services are enabled when setting `OS_TMR_EN` to 1 in `os_cfg.h`.

Timers are down counters that perform an *action* when the counter reaches zero. The user provides the action through a *callback* function (or simply *callback*). A callback is a user-declared function that will be called when the timer expires. The callback can be used to turn a light on or off, start a motor, or perform other actions. However, it is important to never make blocking calls within a callback function (i.e., call `OSTimeDly()`, `OSTimeDlyHMSM()`, `OS??Pend()`, or anything that causes the timer task to block or be deleted).

Timers are useful in protocol stacks (re-transmission timers, for example), and can also be used to poll I/O devices at predefined intervals.

An application can have any number of timers (limited only by the amount of RAM available). Timer services (i.e. functions) in µC/OS-II start with the `OSTmr???` prefix, and the services available to the application programmer are described in the uC/OS-II API Reference section.

The resolution of all the timers managed by µC/OS-II is determined by the configuration constant: `OS_TMR_CFG_TICKS_PER_SEC`, which is expressed in Hertz (Hz). So, if the timer task (described later) rate is set to 10, all timers have a resolution of 1/10th of a second (ticks in the diagrams to follow). In fact, this is the typical recommended value for the timer task. Timers are to be used with “coarse” granularity.

µC/OS-II provides a number of services to manage timers as summarized in the table below.

Function Name	Operation
OSTmrCreate()	Create and specify the operating mode of the timer.
OSTmrDel()	Delete a timer.
OSTmrRemainGet()	Obtain the remaining time left before the timer expires.
OSTmrStart()	Start (or restart) a timer.
OSTmrStateGet()	Obtain the current state of a timer.
OSTmrStop()	Stop the countdown process of a timer.

Table - Timer API summary

A timer needs to be created before it can be used. You create a timer by calling `OSTmrCreate()` and specify a number of arguments to this function based on how the timer is to operate. Once the timer operation is specified, its operating mode cannot be changed unless the timer is deleted and recreated. The function prototype for `OSTmrCreate()` is shown below as a quick reference:

```

OS_TMR OSTmrCreate (INT32U      dly,          /* Initial delay */
                   INT32U      period,       /* Repeat period */
                   INT8U        opt,          /* Options       */
                   OS_TMR_CALLBACK callback, /* Fnct to call at 0 */
                   void         *callback_arg, /* Arg. to callback */
                   CPU_CHAR     *pname,      /* Name of timer, ASCII */
                   INT8         *perr)

```

Once created, a timer can be started (or restarted) and stopped as often as is necessary. Timers can be created to operate in one of three modes: One-shot, Periodic (no initial delay), and Periodic (with initial delay).

One-Shot Timers

As its name implies, a one-shot timer will countdown from its initial value, call the callback function when it reaches zero, and stop. The figure below shows a timing diagram of this operation. The countdown is initiated by calling `OSTmrStart()`. At the completion of the time delay, the callback function is called, assuming a callback function was provided when the timer was created. Once completed, the timer does not do anything unless restarted by calling `OSTmrStart()`, at which point the process starts over.

You terminate the countdown process of a timer (before it reaches zero) by calling `OSTmrStop()`. In this case, you can specify that the callback function be called or not.

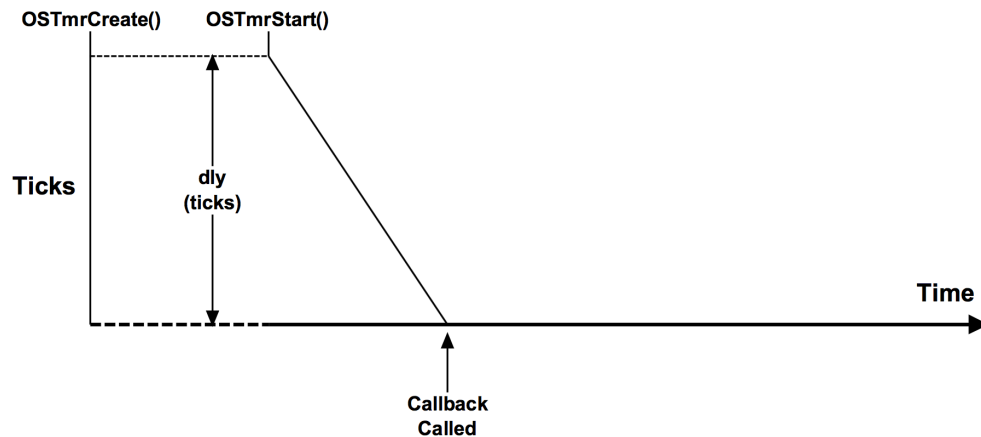


Figure - One Shot Timers ($dly > 0$, $period == 0$)

As shown in the figure below, a one-shot timer can be re-triggered by calling `OSTmrStart()` before the timer reaches zero. This feature can be used to implement watchdogs and similar safeguards.

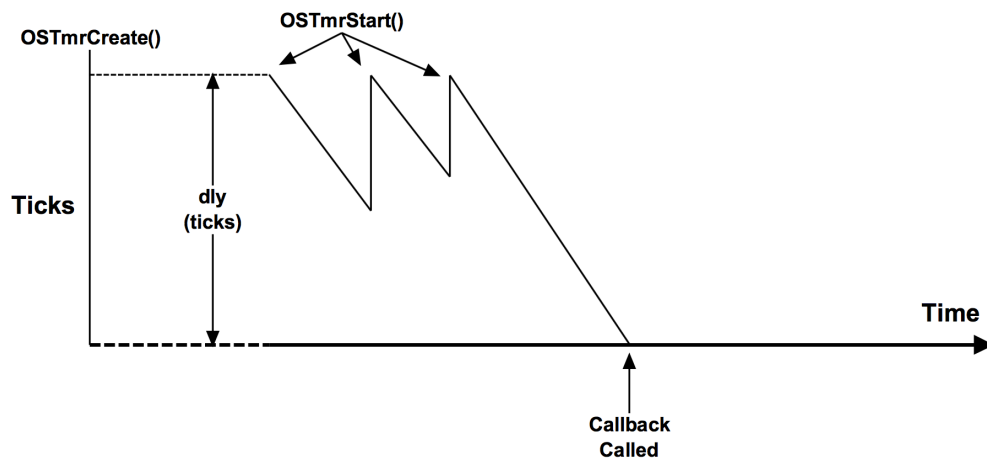


Figure - Retriggering a One Shot Timer

Periodic (no initial delay)

As indicated in the figure below, timers can be configured for periodic mode. When the countdown expires, the callback function is called, the timer is automatically reloaded, and the process is repeated. If specifying a delay of zero (i.e., $dly == 0$) when the timer is created and, when started, the timer immediately uses the “period” as the reload value. You can call `OSTmrStart()` at any point in the countdown to restart the process.

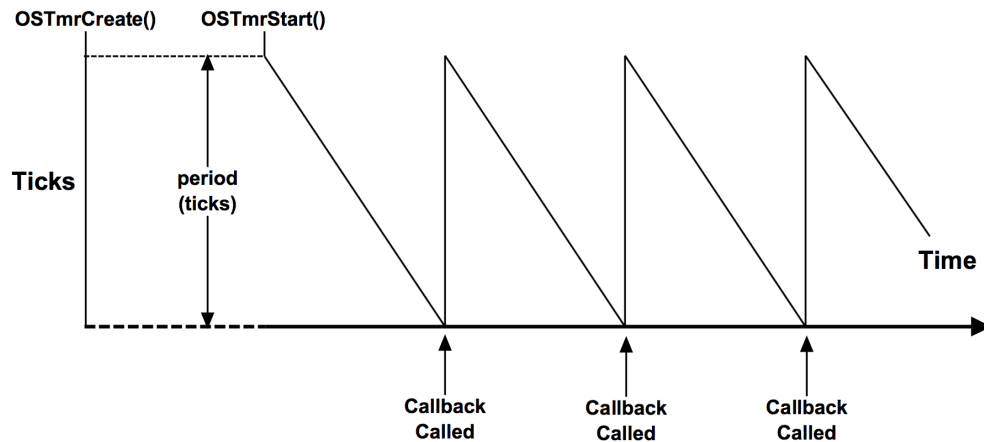


Figure - Figure - Periodic Timers (dly == 0, period > 0)

Periodic (with initial delay)

As shown in the figure below, timers can be configured for periodic mode with an initial delay that is different than its period. The first countdown count comes from the “dly” argument passed in the OSTmrCreate() call, and the reload value is the “period”. You can call OSTmrStart() to restart the process including the initial delay.

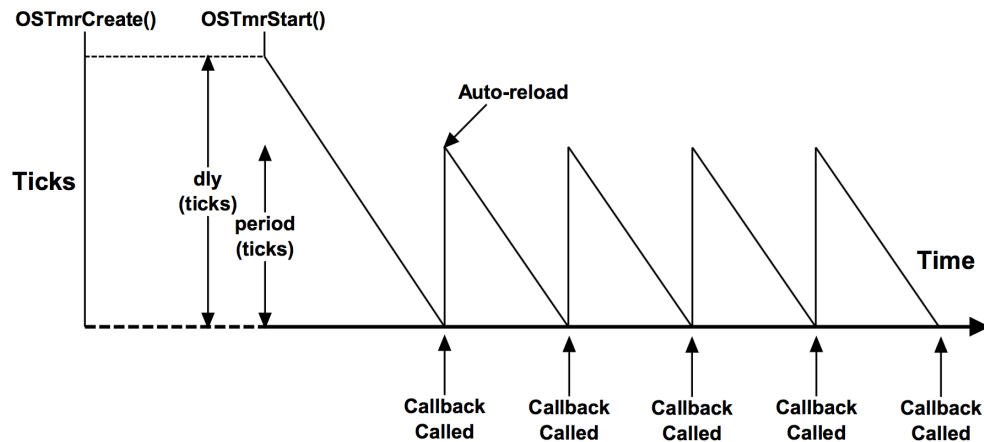


Figure - Periodic Timers (dly > 0, period > 0)

Timer Management Internals

Timer States

The figure below shows the state diagram of a timer.

Tasks can call `OSTmrStateGet()` to find out the state of a timer. Also, at any time during the countdown process, the application code can call `OSTmrRemainGet()` to find out how much time remains before the timer reaches zero (0). The value returned is expressed in “timer ticks.” If timers are decremented at a rate of 10 Hz then a count of 50 corresponds to 5 seconds. If the timer is in the stop state, the time remaining will correspond to either the initial delay (one shot or periodic with initial delay), or the period if the timer is configured for periodic without initial delay.

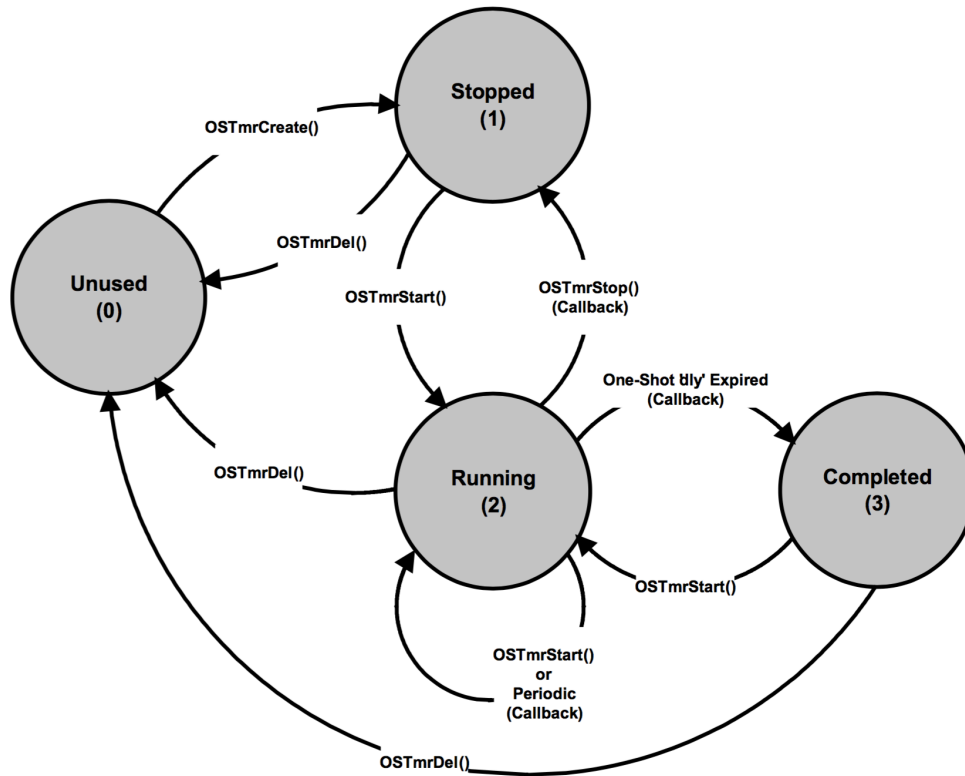


Figure - Timer State Diagram

- (1) The “Unused” state is a timer that has not been created or has been “deleted.” In other words, µC/OS-II does not know about this timer.
- (2) When creating a timer or calling `OSTmrStop()`, the timer is placed in the “stopped” state.
- (3) A timer is placed in running state when calling `OSTmrStart()`. The timer stays in that state unless it’s stopped, deleted, or completes its one shot.

- (4) The “Completed” state is the state a one-shot timer is in when its delay expires.

OS_TMR

A timer is a kernel object as defined by the OS_TMR data type (see ucos_ii.h) as shown in the listing below:

The services provided by µC/OS-II to manage timers are implemented in the file os_tmr.c. Timer services are enabled at compile time by setting the configuration constant OS_TMR_EN to 1 in os_cfg.h.

```
typedef struct os_tmr {
    INT8U          OSTmrType;           (1)
    OS_TMR_CALLBACK_PTR OSTmrCallback;  (2)
    void           *OSTmrCallback;      (3)
    OS_TMR         *OSTmrNextPtr;       (4)
    OS_TMR         *OSTmrPrevPtr;       (5)
    OS_TICK        OSTmrMatch;          (6)
    OS_TICK        OSTmrDly;            (7)
    OS_TICK        OSTmrPeriod;         (8)
    CPU_CHAR       *OSTmrNamePtr;       (9)
    OS_OPT         OSTmrOpt;            (10)
    OS_STATE       OSTmrState;          (11)
} OS_TMR;
```

Listing - OS_TMR data type

- (1) In µC/OS-II, all structures are given a data type. In fact, all data types start with “OS_” and are all uppercase. When a timer is declared, you simply use OS_TMR as the data type of the variable used to declare the timer.
- (2) The structure starts with a “Type” field, which allows it to be recognized by µC/OS-II as a timer. Other kernel objects will also have a “Type” as the first member of the structure. If a function is passed a kernel object, µC/OS-II is able to confirm that it is passed the proper data type. For example, if passing a message queue (OS_Q) to a timer service (for example OSTmrStart()) then µC/OS-II will be able to recognize that an invalid object was passed, and return an error code accordingly.

- (3) The `.OSTmrCallback` member is a pointer to a function that is called when the timer expires. If a timer is created and passed a `NULL` pointer, a callback would not be called when the timer expires.
- (4) If there is a non-`NULL` `.OSTmrCallback` then the application code could have also specified that the callback be called with an argument when the timer expires. This is the argument that would be passed in this call.
- (5) `.OSTmrNextPtr` and `.OSTmrPrevPtr` are pointers used to link a timer in a doubly linked list. These are described later.
- (6) The `.OSTmrMatch` field contains a value that is compared to a running count. When the running count matches this value the timer is considered to have expired.
- (7) The `.OSTmrDly` field contains the one-shot time when the timer is configured (i.e., created) as a one-shot timer and the initial delay when the timer is created as a periodic timer. The value is expressed in multiples of $1/OS_TMR_CFG_TICKS_PER_SEC$ of a second (see `os_cfg.h`).
- (8) The `.OSTmrPeriod` field is the timer period when the timer is created to operate in periodic mode. The value is expressed in multiples of $1/OS_TMR_CFG_TICKS_PER_SEC$ of a second (see `os_cfg.h`).
- (9) Each kernel object can be given a name for easier recognition by debuggers or µC/Probe. This member is simply a pointer to an ASCII string which is assumed to be NUL terminated.
- (10) The `.OSTmrOpt` field contains options that are passed to `OSTmrCreate()`.
- (11) The `.OSTmrState` field represents the current state of the timer (see the figure in **Timer States**).

Even if the internals of the `OS_TMR` data type are understood, the application code should never access any of the fields in this data structure directly. Instead, you should always use the Application Programming Interfaces (APIs) provided with µC/OS-II.

Timer Task

OSTmr_Task() is a task created by µC/OS-II (assumes setting OS_TMR_EN to 1 in os_cfg.h) and its priority is configurable by the user through µC/OS-II's configuration file app_cfg.h (see OS_TASK_TMR_PRI0). OS_TmrTask() is typically set to a low priority.

OSTmr_Task() is a periodic task and uses the same interrupt source used to generate clock ticks. However, timers are generally updated at a slower rate (i.e., typically 10 Hz or so) and thus, the timer tick rate is divided down in software. If the tick rate is 1000 Hz and the desired timer rate is 10 Hz then the timer task will be signaled every 100th tick interrupt as shown in the figure below.

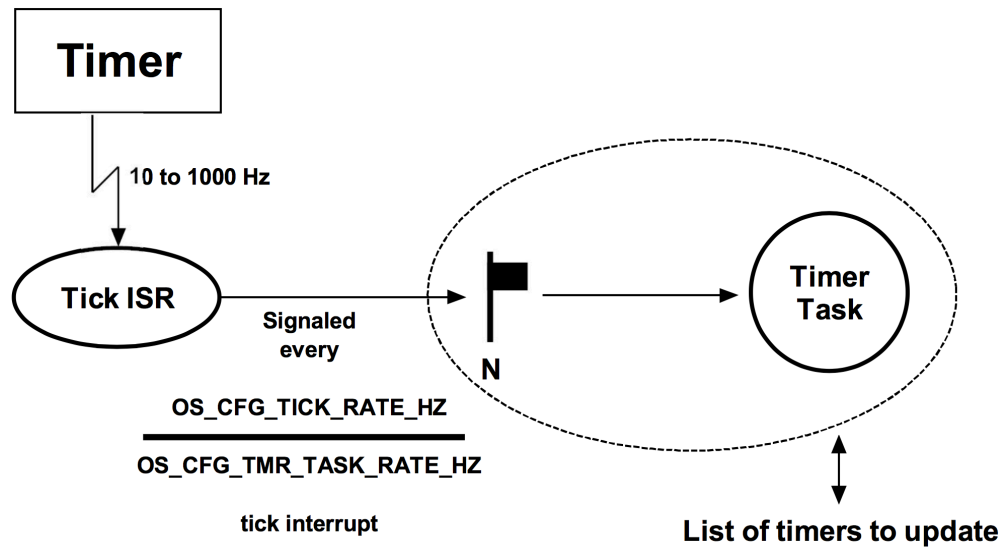


Figure - Tick ISR and Timer Task relationship

The figure below shows timing diagram associated with the timer management task.

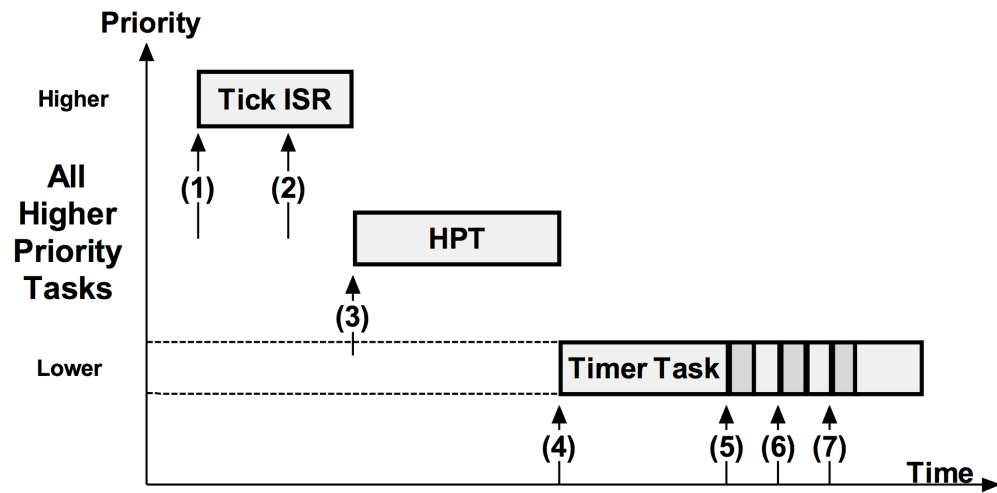


Figure - Timing Diagram

- (1) The tick ISR occurs and assumes interrupts are enabled and executes.
- (2) The tick ISR signals the tick task that it is time for it to update timers.
- (3) The tick ISR terminates, however there might be higher priority tasks that need to execute (assuming the timer task has a lower priority). Therefore, µC/OS-II runs the higher priority task(s).
- (4) When all higher priority tasks have executed, µC/OS-II switches to the timer task and determines that there are three timers that expired.
- (5) The callback for the first timer is executed.
- (6) The callback for the second expired timer is executed.
- (7) The callback for the third expired timer is executed.

There are a few interesting things to notice:

- Execution of the callback functions is performed within the context of the timer task. This means that the application code will need to make sure there is sufficient stack space for

the timer task to handle these callbacks.

- The callback functions are executed one after the other based on the order they are found in the timer list.
- The execution time of the timer task greatly depends on how many timers expire and how long each of the callback functions takes to execute. Since the callbacks are provided by the application code they have a large influence on the execution time of the timer task.
- The timer callback functions must never wait on events because this would delay the timer task for excessive amounts of time, if not forever.
- Callbacks should execute as quickly as possible.

Timers are inserted in a list by calling `OSTmrStart()` and, a timer must be created before it can be used.

```
OS_TMR MyTmr1;
OS_TMR MyTmr2;

void MyTmrCallbackFunct1 (void *p_arg)
{
    /* Do something when timer #1 expires */
}

void MyTmrCallbackFunct2 (void *p_arg)
{
    /* Do something when timer #2 expires */
}

void MyTask (void *p_arg)
{
    INT8U err;

    while (DEF_ON) {
        :
        MyTmr1 = OSTmrCreate((INT32U          )1,
                             (INT32U          )0,
                             (INT8U           )OS_TMR_OPT_ONE_SHOT,
                             (OS_TMR_CALLBACK)MyTmrCallbackFunct1,
                             (void            *)0,
                             (INT8U          *)"My Timer #1",
                             (INT8U          *)&err);

        /* Check 'err' */
        OSTmrStart ((OS_TMR *)&MyTmr1,
                   (INT8U *)&err);
        /* Check "err" */
        // Continues in the next code listing!
    }
}
```

Listing - Creating and Starting a timer

The code below shows creating and starting another timer. This is performed “before” the timer task is signaled.

```
// Continuation of code from previous code listing.
:
:
MyTmr2 = OSTmrCreate((INT32U          )1,
                    (INT32U          )0,
                    (INT8U           )OS_TMR_OPT_ONE_SHOT,
                    (OS_TMR_CALLBACK)MyTmrCallbackFnc2,
                    (void            *)0,
                    (INT8U           *)"My Timer #2",
                    (INT8U           *)&err);

/* Check 'err' */
OSTmrStart ((OS_TMR *)&MyTmr2,
            (INT8U *)&err);
/* Check 'err' */
}
}
```

Listing - Creating and Starting a timer - continued

When the timer task executes (see `OSTmr_Task()` in `os_tmr.c`), it starts by incrementing `OSTmrTime` and goes through the list of timers and checks to see which timer matches the `OSTmrTime` value. Upon match, the timer manager executes the callback function associated with the timer and, if the timer is set to periodic, determines what the next match value is based on the `.OSTmrPeriod` (assuming periodic mode). If the timer is configured as a one-shot timer then the timer is removed from the list upon expiration.

Timer management occurs at the task level. The list is protected by locking the scheduler. Locking the scheduler impacts task responsiveness of other, higher priority tasks in your application.

Event Control Blocks

Use of Event Control Blocks

Figure 6.1 shows how tasks and Interrupt Service Routines (ISRs) can interact with each other. A task or an ISR signals a task through a kernel object called an Event Control Block (ECB). The signal is considered to be an event, which explains my choice of this name.

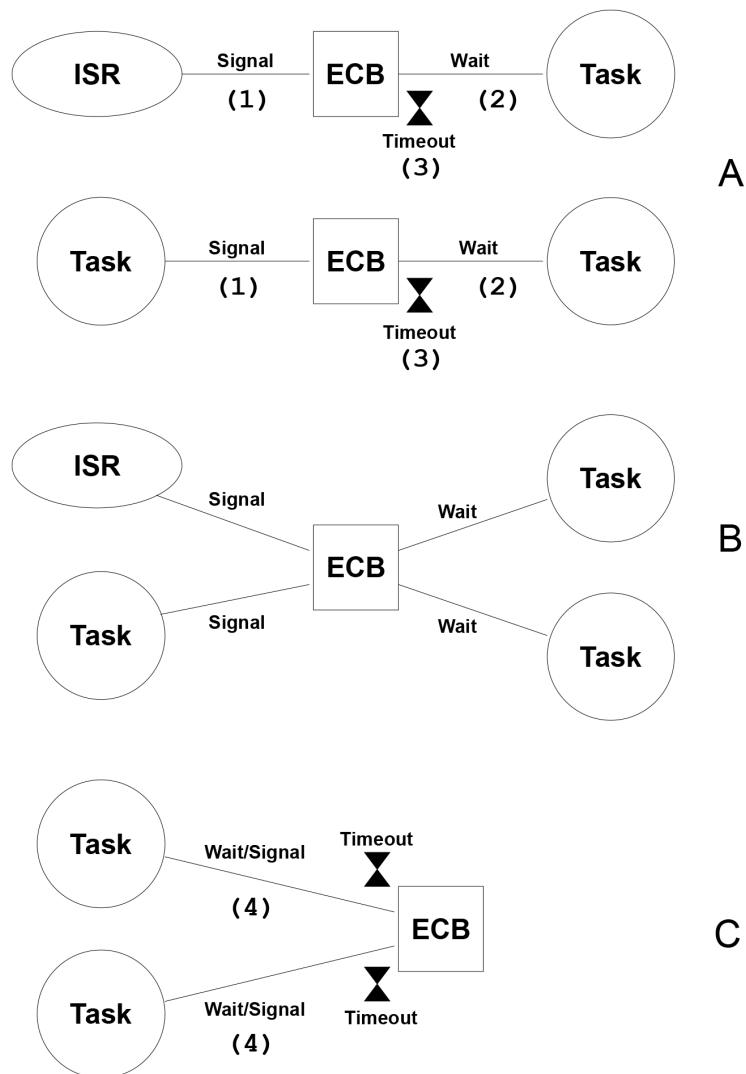


Figure - Figure 6.1 Use of event control blocks

(A1) An ISR or a task can signal an ECB.

(A2) Only a task can wait for another task or an ISR to signal the object. An ISR is not allowed to wait on an ECB.

(A3) An optional timeout can be specified by the waiting task in case the object is not signaled within a specified time period.

(B) Multiple tasks can wait for a task or an ISR to signal an ECB. When the ECB is signaled, only the highest priority task waiting on the ECB will be “signaled” and made ready to run. An ECB can be either a semaphore, a message mailbox, or a message queue, as discussed later.

(C4) When an ECB is used as a semaphore, tasks can both wait on and signal the ECB.

An ECB is used as a building block to implement services such as Semaphores (chapter 7), Mutual Exclusion Semaphores (chapter 8), Message Mailboxes (chapter 10) and Message Queues (chapter 11).

µC/OS-II maintains the state of an ECB in a data structure called `OS_EVENT` (see `uCOS_II.H`). The state of an event consists of the event itself (a counter for a semaphore, a bit for a mutex, a pointer for a message mailbox, or an array of pointers for a queue) and a list of tasks waiting for the event to occur. Each semaphore, mutual exclusion semaphore, message mailbox, and message queue is assigned an ECB. The data structure for an ECB is shown in Listing 6.1 and also graphically in Figure 6.2.

```
typedef struct {
    INT8U    OSEventType;           /* Event type */
    void     *OSEventPtr;          /* Ptr to message or queue structure */
    INT16U   OSEventCnt;           /* Count (when event is a semaphore) */
    OS_PRIO  OSEventGrp;           /* Group for wait list */
    OS_PRIO  OSEventTbl[OS_EVENT_TBL_SIZE]; /* Wait list for event to occur */
    #if OS_EVENT_NAME_EN > 0u
        INT8U *OSEventName;
    #endif
} OS_EVENT;
```

Listing - Listing 6.1 Event control block data structure.

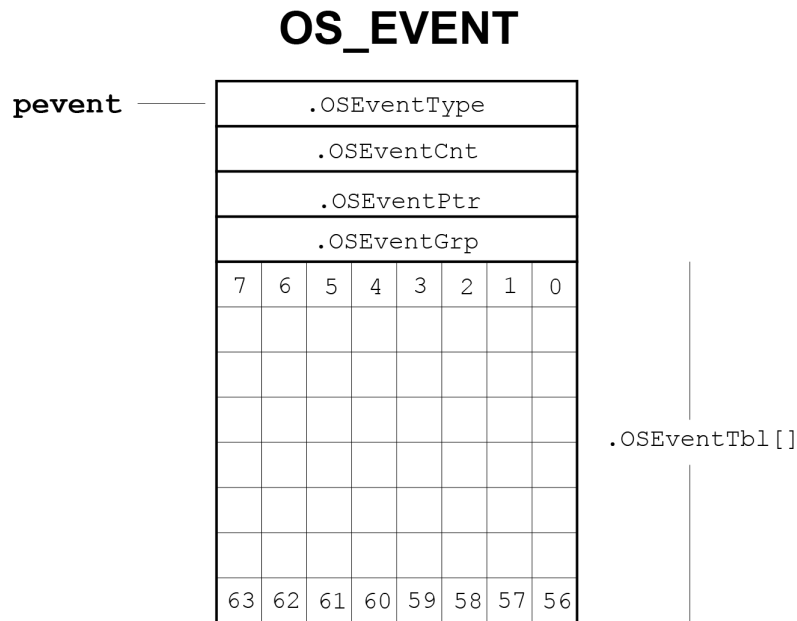


Figure - Figure 6.2, Event Control Block (ECB)

.OSEventType

contains the type associated with the ECB and can have the following values:

OS_EVENT_TYPE_SEM, OS_EVENT_TYPE_MUTEX, OS_EVENT_TYPE_MBOX, or OS_EVENT_TYPE_Q. This field is used to make sure you are accessing the proper object when you perform operations on these objects through µC/OS-II's service calls. .OSEventType is the first field (and first byte) of the data structure. This allows run-time checking to determine whether the pointer points to an ECB or an event flag (see Chapter 9).

.OSEventPtr

is only used when the ECB is assigned to a message mailbox or a message queue. It points to the message when used for a mailbox or to a data structure when used for a queue (see Chapter 10, Message Mailboxes, and Chapter 11, Message Queues).

.OSEventCnt

is used to hold the semaphore count when the ECB is used for a semaphore (see Chapter 7, Semaphores) or the mutex and PIP when the ECB is used for a mutex (see Chapter 8, Mutual Exclusion Semaphores).

.OSEventTbl[] and .OSEventGrp

are similar to `OSRdyTbl[]` and `OSRdyGrp`, respectively, except that they contain a list of tasks waiting on the event instead of a list of tasks ready to run (see section 3.??, Ready List).

Each task that needs to wait for the event to occur is placed in the wait list consisting of the two variables, `.OSEventGrp` and `.OSEventTbl[]`. Note that I used a dot (.) in front of the variable name to indicate that the variable is part of a data structure. Task priorities are grouped (eight tasks per group) in `.OSEventGrp`. Each bit in `.OSEventGrp` is used to indicate when any task in a group is waiting for the event to occur. When a task is waiting, its corresponding bit is set in the wait table, `.OSEventTbl[]`. The size (in bytes) of `.OSEventTbl[]` depends on `OS_LOWEST_PRIO` (see `uCOS_II.H`). This allows µC/OS-II to reduce the amount of RAM (i.e., data space) when your application requires just a few task priorities.

The task that is resumed when the event occurs is the highest priority task waiting for the event and corresponds to the lowest priority number that has a bit set in `.OSEventTbl[]`. The relationship between `.OSEventGrp` and `.OSEventTbl[]` is shown in Figure 6.3 and is given by the following rules.

Bit 0 in `.OSEventGrp` is 1 when any bit in `.OSEventTbl[0]` is 1.

Bit 1 in `.OSEventGrp` is 1 when any bit in `.OSEventTbl[1]` is 1.

Bit 2 in `.OSEventGrp` is 1 when any bit in `.OSEventTbl[2]` is 1.

Bit 3 in `.OSEventGrp` is 1 when any bit in `.OSEventTbl[3]` is 1.

Bit 4 in `.OSEventGrp` is 1 when any bit in `.OSEventTbl[4]` is 1.

Bit 5 in `.OSEventGrp` is 1 when any bit in `.OSEventTbl[5]` is 1.

Bit 6 in `.OSEventGrp` is 1 when any bit in `.OSEventTbl[6]` is 1.

Bit 7 in `.OSEventGrp` is 1 when any bit in `.OSEventTbl[7]` is 1.

Etc.

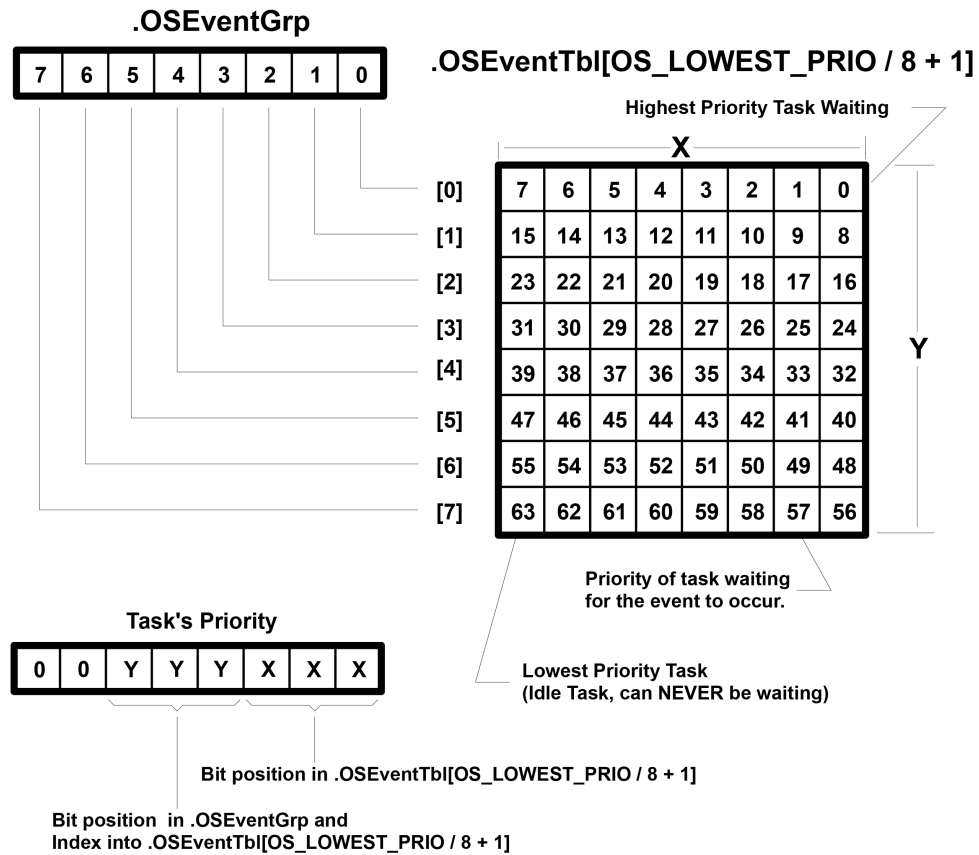


Figure - Figure 6.3 Wait list for task waiting for an event to occur

Placing a Task in the ECB Wait List

The following code places a task in the wait list:

```
pevent->OSEventTbl[OSTCBCur->OSTCBy] |= OSTCBCur->OSTCBitX;
pevent->OSEventGrp |= OSTCBCur->OSTCBitY;
```

Listing - Listing 6.2 Making a task wait for an event.

You should realize from Listing 6.2 that the time required to insert a task in the wait list is constant and does not depend on how many tasks are in your system. Also, from Figure 6.3, the lower 3 bits of the task's priority are used to determine the bit position in .OSEventTbl[[]] , and the next three most significant bits are used to determine the index into OSEventTbl[[]] . Note that OSMaPtb1[[]] (see OS_CORE.C) is a table in ROM, used to equate an index from 0 to 7 to a bit mask as shown in the Table 6.1.

Index	Bit Mask (Binary)
0	00000001
1	00000010
2	00000100
3	00001000
4	00010000
5	00100000
6	01000000
7	10000000

Table - Table 6.1 Content of OSMapTbl[]

Removing a Task from an ECB Wait List

A task is removed from the wait list by reversing the process (Listing 6.3).

```
INT8U y;  
  
y = ptcb->OSTCBY;  
pevent->OSEventTbl[y] &= (OS_PRIO)~ptcb->OSTCBBitX;  
if (pevent->OSEventTbl[y] == 0u) {  
    pevent->OSEventGrp &= (OS_PRIO)~ptcb->OSTCBBitY;  
}
```

Listing - Listing 6.3 Removing a task from a wait list.

This code clears the bit corresponding to the task in `.OSEventTbl[]` and clears the bit in `.OSEventGrp` only if all tasks in a group are not waiting.

Finding the Highest Priority Task Waiting on an ECB

The code to find the highest priority task waiting for an event to occur is shown in Listing 6.4. Table lookups are again used for performance reasons because we don't want to scan the `.OSEventTbl[]` one bit at a time to locate the highest priority task waiting on the event.

```
#if OS_LOWEST_PRI0 <= 63u
    y = OSUnMapTbl[pevent->OSEventGrp];          /* Find HPT waiting for message
*/
    x = OSUnMapTbl[pevent->OSEventTbl[y]];
    prio = (INT8U)((y << 3u) + x);              /* Find priority of task getting the msg
*/
#else
    if ((pevent->OSEventGrp & 0xFFu) != 0u) {     /* Find HPT waiting for message
*/
        y = OSUnMapTbl[ pevent->OSEventGrp & 0xFFu];
    } else {
        y = OSUnMapTbl[(OS_PRI0)(pevent->OSEventGrp >> 8u) & 0xFFu] + 8u;
    }
    ptbl = &pevent->OSEventTbl[y];
    if ((*ptbl & 0xFFu) != 0u) {
        x = OSUnMapTbl[*ptbl & 0xFFu];
    } else {
        x = OSUnMapTbl[(OS_PRI0)(*ptbl >> 8u) & 0xFFu] + 8u;
    }
    prio = (INT8U)((y << 4u) + x);              /* Find priority of task getting the msg
*/
#endif
```

Listing - Listing 6.4 Finding the highest priority task waiting for the event.

- (1) Using .OSEventGrp as an index into OSUnMapTbl[] (see Listing 6.5) you can quickly locate which entry in .OSEventTbl[] holds the highest priority task waiting for the ECB. OSUnMapTbl[] returns the bit position of the highest priority bit set — a number between 0 and 7 (or 0 and 15). This number corresponds to the Y position in .OSEventTbl[] (see Figure 6.3).
- (2) Once we know which ‘row’ (see Figure 6.3) contains the highest priority task waiting for the ECB, we can ‘zoom-in’ on the actual bit by performing another lookup in OSUnMapTbl[] but this time, with the entry in .OSEventTbl[] just found. Again, we get a number between 0 and 7 (or 0 to 15). This number corresponds to the X position in .OSEventTbl[] (see Figure 6.3).
- (3) By combining the two previous operations, we can determine the priority number of the highest priority task waiting on the ECB. This is a number between 0 and 63 or 255, depending on whether we support up to 64 tasks or 256 tasks.

```
INT8U const OSUnMapTbl[] = {
    0, 0, 1, 0, 2, 0, 1, 0, 3, 0, 1, 0, 2, 0, 1, 0, /* 0x00 to 0x0F */
    4, 0, 1, 0, 2, 0, 1, 0, 3, 0, 1, 0, 2, 0, 1, 0, /* 0x10 to 0x1F */
    5, 0, 1, 0, 2, 0, 1, 0, 3, 0, 1, 0, 2, 0, 1, 0, /* 0x20 to 0x2F */
    4, 0, 1, 0, 2, 0, 1, 0, 3, 0, 1, 0, 2, 0, 1, 0, /* 0x30 to 0x3F */
    6, 0, 1, 0, 2, 0, 1, 0, 3, 0, 1, 0, 2, 0, 1, 0, /* 0x40 to 0x4F */
    4, 0, 1, 0, 2, 0, 1, 0, 3, 0, 1, 0, 2, 0, 1, 0, /* 0x50 to 0x5F */
    5, 0, 1, 0, 2, 0, 1, 0, 3, 0, 1, 0, 2, 0, 1, 0, /* 0x60 to 0x6F */
    4, 0, 1, 0, 2, 0, 1, 0, 3, 0, 1, 0, 2, 0, 1, 0, /* 0x70 to 0x7F */
    7, 0, 1, 0, 2, 0, 1, 0, 3, 0, 1, 0, 2, 0, 1, 0, /* 0x80 to 0x8F */
    4, 0, 1, 0, 2, 0, 1, 0, 3, 0, 1, 0, 2, 0, 1, 0, /* 0x90 to 0x9F */
    5, 0, 1, 0, 2, 0, 1, 0, 3, 0, 1, 0, 2, 0, 1, 0, /* 0xA0 to 0xAF */
    4, 0, 1, 0, 2, 0, 1, 0, 3, 0, 1, 0, 2, 0, 1, 0, /* 0xB0 to 0xBF */
    6, 0, 1, 0, 2, 0, 1, 0, 3, 0, 1, 0, 2, 0, 1, 0, /* 0xC0 to 0xCF */
    4, 0, 1, 0, 2, 0, 1, 0, 3, 0, 1, 0, 2, 0, 1, 0, /* 0xD0 to 0xDF */
    5, 0, 1, 0, 2, 0, 1, 0, 3, 0, 1, 0, 2, 0, 1, 0, /* 0xE0 to 0xEF */
    4, 0, 1, 0, 2, 0, 1, 0, 3, 0, 1, 0, 2, 0, 1, 0 /* 0xF0 to 0xFF */
};
```

Listing - Listing 6.5

Let's look at an example as shown in Figure 6.4., if .OSEventGrp contains 11001000 (binary) or 0xC8, OSUnMapTbl[.OSEventGrp] yields a value of 3, which corresponds to bit 3 in .OSEventGrp and also happens to be the index in .OSEventTbl[] which contains the first non-zero entry. Note that bit positions are assumed to start on the right with bit 0 being the rightmost bit. Similarly, if .OSEventTbl[3] contains 00010000 (binary) or 0x10, OSUnMapTbl[.OSEventTbl[3]] results in a value of 4 (bit 4). The priority of the task waiting (prio) is thus 28 (3 x 8 + 4) which corresponds to the number in .OSEventTbl[] of Figure 6.3.

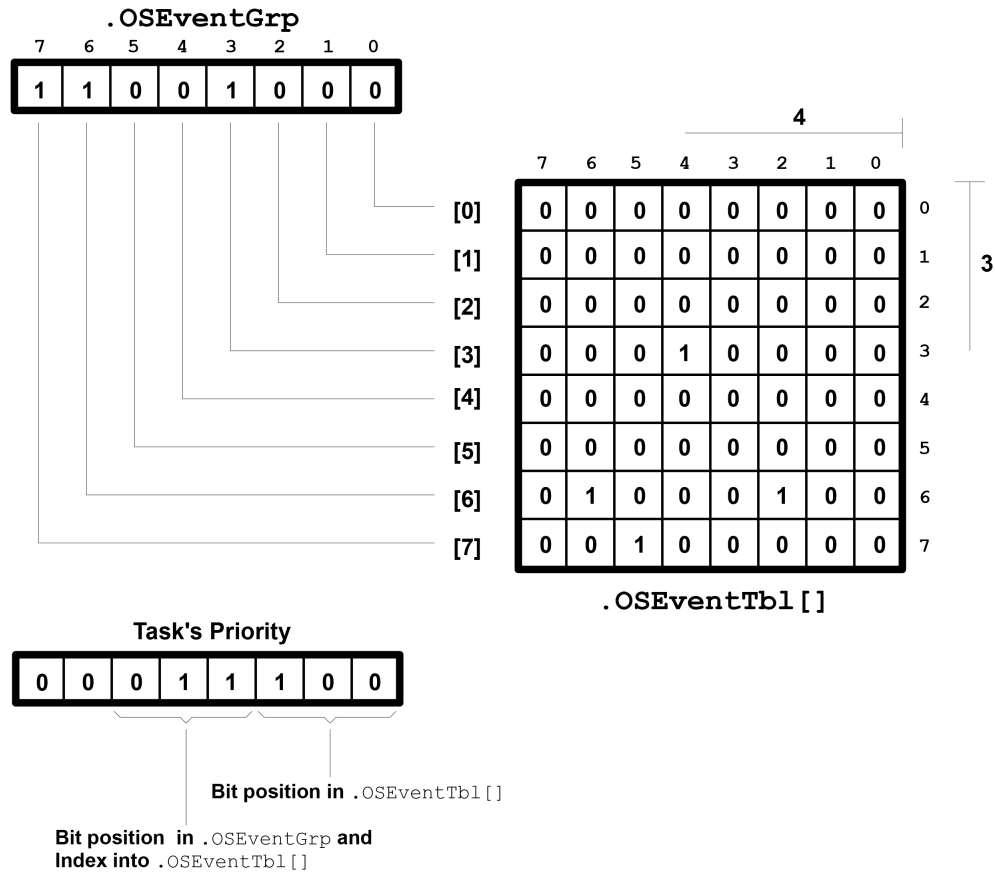


Figure - Figure 6.4 Example of ECB wait list

List of Free ECBs

The number of ECBs to allocate depends on the number of semaphores, mutual exclusion semaphores, mailboxes, and queues needed for your application. The number of ECBs is established by the `#define OS_MAX_EVENTS`, which is found in `OS_CFG.H`. When `OSInit()` is called (see section 3.??, µC/OS-II Initialization), all ECBs are linked in a singly linked list — the list of free ECBs (Figure 6.5). When a semaphore, mutex, mailbox, or queue is created, an ECB is removed from this list and initialized. ECBs can be returned to the list of free ECBs by invoking the `OS???De1()` functions for semaphore, mutex, mailbox, or queue services.

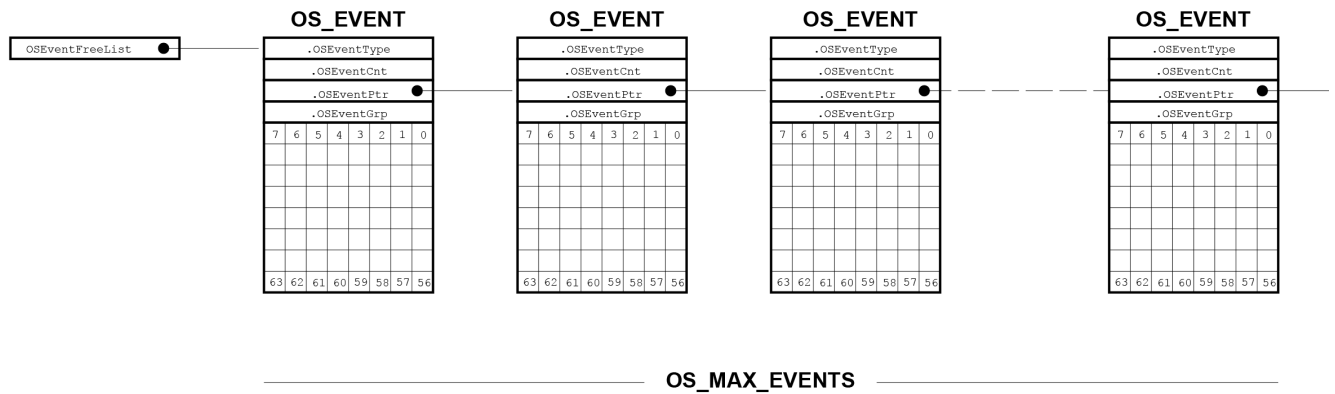


Figure - Figure 6.5 List of free ECBs

Four common operations can be performed on ECBs:

- initialize an ECB,
- make a task ready,
- make a task wait for an event, and
- make a task ready because a timeout occurred while waiting for an event.

To avoid duplicating code and thus to reduce code size, four functions have been created to perform these operations: OS_EventWaitListInit(), OS_EventTaskRdy(), OS_EventWait(), and OS_EventT0(), respectively.

Initializing an ECB, OS_EventWaitListInit()

Listing 6.6 shows the code for OS_EventWaitListInit(), which is a function called when a semaphore, mutex, message mailbox, or message queue is created [see OSSemCreate(), OSMutexCreate(), OSMboxCreate(), or OSQCreate()]. All that is accomplished by OS_EventWaitListInit() is to indicate that no task is waiting on the ECB.

OS_EventWaitListInit() is passed a pointer to an event control block, which is assigned when the semaphore, mutex, message mailbox, or message queue is created. The code is implemented inline to avoid the overhead of a for loop.

```
void OS_EventWaitListInit (OS_EVENT *pevent)
{
    INT8U i;

    pevent->OSEventGrp = 0u;
    for (i = 0u; i < OS_EVENT_TBL_SIZE; i++) {
        pevent->OSEventTbl[i] = 0u;
    }
}
```

Listing - Listing 6.6 Initializing the wait list.

Making a Task Ready, OS_EventTaskRdy()

Listing 6.7 shows the code for OS_EventTaskRdy(). This function is called by the POST functions for a semaphore, a mutex, a message mailbox or a message queue when an ECB is signaled and the highest priority task waiting on the ECB needs to be made ready to run. In other words, OS_EventTaskRdy() removes the highest priority task (HPT) from the wait list of the ECB and makes this task ready to run.


```

INT8U OS_EventTaskRdy (OS_EVENT *pevent, void *msg, INT8U msk)
{
    OS_TCB *ptcb;
    INT8U y;
    INT8U x;
    INT8U prio;
    #if OS_LOWEST_PRIO > 63u
        OS_PRIO *ptbl;
    #endif

    #if OS_LOWEST_PRIO <= 63u
        y = OSUnMapTbl[pevent->OSEventGrp];
        x = OSUnMapTbl[pevent->OSEventTbl[y]];
        prio = (INT8U)((y << 3u) + x);
    #else
        if ((pevent->OSEventGrp & 0xFFu) != 0u) {
            y = OSUnMapTbl[ pevent->OSEventGrp & 0xFFu];
        } else {
            y = OSUnMapTbl[(OS_PRIO)(pevent->OSEventGrp >> 8u) & 0xFFu] + 8u;
        }
        ptbl = &pevent->OSEventTbl[y];
        if ((*ptbl & 0xFFu) != 0u) {
            x = OSUnMapTbl[*ptbl & 0xFFu];
        } else {
            x = OSUnMapTbl[(OS_PRIO)(*ptbl >> 8u) & 0xFFu] + 8u;
        }
        prio = (INT8U)((y << 4u) + x);
    #endif

    ptcb = OSTCBBTl[prio];
    ptcb->OSTCBDly = 0u;

    #if ((OS_Q_EN > 0u) && (OS_MAX_QS > 0u)) || (OS_MBOX_EN > 0u)
        ptcb->OSTCBMsg = pmsg;
    #else
        pmsg = ptcb->OSTCBMsg;
    #endif

    ptcb->OSTCBStat &= (INT8U)~msk;
    ptcb->OSTCBStatPend = pend_stat;

    if ((ptcb->OSTCBStat & OS_STAT_SUSPEND) == OS_STAT_RDY) {
        OSRdyGrp |= ptcb->OSTCBBitY;
        OSRdyTbl[y] |= ptcb->OSTCBBitX;
    }
    OS_EventTaskRemove(ptcb, pevent);

    #if (OS_EVENT_MULTI_EN > 0u)
        if (ptcb->OSTCBEventMultiPtr != (OS_EVENT **)0) {
            OS_EventTaskRemoveMulti(ptcb, ptcb->OSTCBEventMultiPtr);
            ptcb->OSTCBEventPtr = (OS_EVENT *)pevent;
        }
    #endif

    return (prio);
}

```

Listing - Listing 6.7 Making a task ready to run.

- (1) `OS_EventTaskRdy()` starts by determining the index into `.OSEventTbl[]` of the HPT, a number between 0 and `OS_LOWEST_PRIO/8 + 1`.
- (2) The task control block (TCB) of the task being readied contains information that needs to be changed. Knowing the task's priority, you can obtain a pointer to that TCB.
- (3) Because the HPT is not waiting anymore, you need to make sure that `OSTimeTick()` will not attempt to decrement the `.OSTCBDly` value of that task. This is done by forcing `.OSTCBDly` to 0.
- (4) A message is sent to the HPT if `OS_EventTaskRdy()` is called by the POST functions for message mailboxes and message queues. This message is passed as an argument and needs to be placed in the task's TCB.
- (5) When `OS_EventTaskRdy()` is called, the 'msk' argument contains the appropriate bit mask to clear the bit in `.OSTCBStat`, which corresponds to the type of event signaled (`OS_STAT_SEM`, `OS_STAT_MUTEX`, `OS_STAT_MBOX`, or `OS_STAT_Q`).
- (6) If `.OSTCBStat` indicates that the task is now ready to run, `OS_EventTaskRdy()` inserts this task in µC/OS-II's ready list. Note that the task may not be ready to run because it could have been explicitly suspended [see sections 4.??, Suspending a Task, `OSTaskSuspend()`, and 4.??, Resuming a Task, `OSTaskResume()`].
- (7) `OS_EventTaskRdy()` returns the priority of the task readied.

Note that `OS_EventTaskRdy()` is called with interrupts disabled.

Making a Task Wait for an Event, `OS_EventTaskWait()`

Listing 6.8 shows the code for `OS_EventTaskWait()`. This function is called by the PEND functions of a semaphore, mutex, message mailbox and message queue when a task must wait on an ECB. In other words, `OS_EventTaskWait()` removes the current task from the ready list and places it in the wait list of the ECB.

```
void OS_EventTaskWait (OS_EVENT *pevent)
{
    INT8U y;

    OSTCBCur->OSTCBEventPtr          = pevent;                (1)
    pevent->OSEventTbl[OSTCBCur->OSTCUBY] |= OSTCBCur->OSTCBBitX; (2)
    pevent->OSEventGrp                |= OSTCBCur->OSTCBBitY;
    y                                = OSTCBCur->OSTCUBY;
    OSRdyTbl[y] &= (OS_PRIO)~OSTCBCur->OSTCBBitX;            (3)
    if (OSRdyTbl[y] == 0u) {
        OSRdyGrp &= (OS_PRIO)~OSTCBCur->OSTCBBitY;
    }
}
```

Listing - Listing 6.8 Making a task wait on an ECB.

- (1) The pointer to the ECB is placed in the task's TCB, linking the task to the event control block.
- (2) The task is placed in the wait list for the ECB.
- (3) The task is removed from the ready list.

Semaphore Management

Relationships Between Tasks, ISRs, and a Semaphore

µC/OS-II semaphores consist of two elements: a 16-bit unsigned integer used to hold the semaphore count (0 to 65535) and a list of tasks waiting for the semaphore count to be greater than 0. µC/OS-II provides eight services to access semaphores: `OSSemAccept()`, `OSSemCreate()`, `OSSemDel()`, `OSSemPend()`, `OSSemPendAbort()`, `OSSemPost()` and `OSSemQuery()`.

To enable µC/OS-II semaphore services, you must set the configuration constants in `OS_CFG.H`. Specifically, table 7.1 shows which services are compiled based on the value of configuration constants found in `OS_CFG.H`. You should note that NONE of the semaphore services are enabled when `OS_SEM_EN` is set to 0. To enable the feature (i.e. service), simply set the configuration constant to 1. You will notice that `OSSemCreate()`, `OSSemPend()` and `OSSemPost()` cannot be individually disabled like the other services. That's because they are always needed when you enable µC/OS-II semaphore management.

µC/OS-II Semaphore Service>	Enabled when set to 1 in OS_CFG.H
<code>OSSemAccept()</code>	<code>OS_SEM_ACCEPT_EN</code>
<code>OSSemCreate()</code>	
<code>OSSemDel()</code>	<code>OS_SEM_DEL_EN</code>
<code>OSSemPend()</code>	
<code>OSSemPendAbort()</code>	<code>OS_SEM_PEND_ABORT_EN</code>
<code>OSSemPost()</code>	
<code>OSSemQuery()</code>	<code>OS_SEM_QUERY_EN</code>
<code>OSSemSet()</code>	<code>OS_SEM_SET_EN</code>

Table - Table 7.1 Semaphore configuration constants in `OS_CFG.H`.

Figure 7.1 shows a flow diagram to illustrate the relationship between tasks, ISRs, and a semaphore. Note that the symbology used to represent a semaphore is either a key or a flag. You would use a key symbol in such flow diagrams if the semaphore is used to access shared resources. The *N* next to the key represents how many resources are available. *N* is 1 for a

binary semaphore. Use a flag symbol when a semaphore is used to signal the occurrence of an event. N in this case represents the number of times the event can be signaled. The hourglass represents a timeout that can be specified with the `OSSemPend()` call.

As you can see from Figure 7.1, a task or an ISR can call `OSSemAccept()`, `OSSemPost()` or `OSSemQuery()`. However, only tasks are allowed to call `OSSemDel()` or `OSSemPend()`.

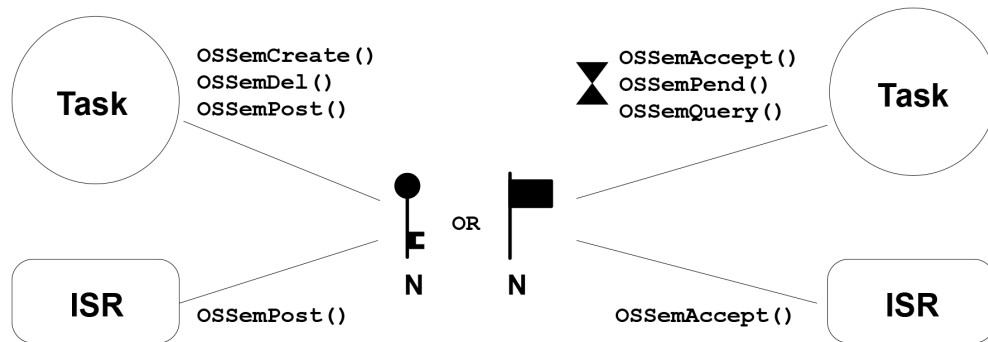


Figure - Figure 7.1 Relationships between tasks, ISRs, and a semaphore

Creating a Semaphore, `OSemCreate()`

A semaphore needs to be created before it can be used. You create a semaphore by calling `OSemCreate()` (see next section) and specifying the initial count of the semaphore. The initial value of a semaphore can be between 0 and 65535. If you use the semaphore to signal the occurrence of one or more events, you would typically initialize the semaphore to 0. If you use the semaphore to access a single shared resource, you need to initialize the semaphore to 1 (i.e., use it as a binary semaphore). Finally, if the semaphore allows your application to obtain any one of n identical resources, initialize the semaphore to n and use it as a counting semaphore.

The code to create a semaphore is shown in Listing 7.1.

Figure 7.2 shows the content of the ECB just before `OSemCreate()` returns.

```
OS_EVENT *OSSemCreate (INT16U cnt)
{
  #if OS_CRITICAL_METHOD == 3
    OS_CPU_SR cpu_sr; (1)
  #endif
  OS_EVENT *pevent;

  if (OSIntNesting > 0) { (2)
    return ((OS_EVENT *)0);
  }
  OS_ENTER_CRITICAL();
  pevent = OSEventFreeList; (3)
  if (OSEventFreeList != (OS_EVENT *)0) { (4)
    OSEventFreeList = (OS_EVENT *)OSEventFreeList->OSEventPtr; (5)
  }
  OS_EXIT_CRITICAL();
  if (pevent != (OS_EVENT *)0) { (6)
    pevent->OSEventType = OS_EVENT_TYPE_SEM; (7)
    pevent->OSEventCnt = cnt; (8)
    pevent->OSEventPtr = (void *)0; (9)
  #if OS_EVENT_NAME_EN > 0u
    pevent->OSEventName = (INT8U *)"(void *)"?";
  #endif
  OS_EventWaitListInit(pevent); (10)
  }
  return (pevent); (11)
}
```

Listing - Listing 7.1 Creating a semaphore.

- (1) A local variable called `cpu_sr` to support `OS_CRITICAL_METHOD #3` is allocated.
- (2) `OSSemCreate()` starts by making sure you are not calling this function from an ISR because this is not allowed. All kernel objects need to be created from task level code or before multitasking starts.
- (3) `OSSemCreate()` then attempts to obtain an ECB (Event Control Block) from the free list of ECBs (see Figure 6.??).
- (4) & (5) The linked list of free ECBs is adjusted to point to the next free ECB.
- (6) & (7) If there is an ECB available, the ECB type is set to `OS_EVENT_TYPE_SEM`. Other `OSSem???`() function calls will check this structure member to make sure that the ECB is of the proper type (i.e. a semaphore). This prevents you from calling `OSSemPost()` on an ECB that was created for use as a message mailbox (see 10.??, Message Mailboxes).
- (8) Next, the desired initial count for the semaphore is stored in the ECB.

Deleting a Semaphore, OSSemDel()

The code to delete a semaphore is shown in listing 7.2 and code will only be generated by the compiler if `OS_SEM_DEL_EN` is set to 1 in `OS_CFG.H`. This is a function you must use with caution because multiple tasks could attempt to access a deleted semaphore. You should always use this function with great care. Generally speaking, before you would delete a semaphore, you would first delete all the tasks that access the semaphore.


```

OS_EVENT *OSSemDel (OS_EVENT *pevent, INT8U opt, INT8U *err)
{
    #if OS_CRITICAL_METHOD == 3
        OS_CPU_SR cpu_sr;
    #endif
    BOOLEAN    tasks_waiting;

    if (OSIntNesting > 0) {
        *err = OS_ERR_DEL_ISR;
        return (pevent);
    }
    #if OS_ARG_CHK_EN > 0
        if (pevent == (OS_EVENT *)0) {
            *err = OS_ERR_PEVENT_NULL;
            return (pevent);
        }
        if (pevent->OSEventType != OS_EVENT_TYPE_SEM) {
            *err = OS_ERR_EVENT_TYPE;
            return (pevent);
        }
    #endif
    OS_ENTER_CRITICAL();
    if (pevent->OSEventGrp != 0x00) {
        tasks_waiting = OS_TRUE;
    } else {
        tasks_waiting = OS_FALSE;
    }
    switch (opt) {
        case OS_DEL_NO_PEND:
            if (tasks_waiting == OS_FALSE) {
                #if OS_EVENT_NAME_EN > 0u
                    pevent->OSEventName = (INT8U *) (void *)"?";
                #endif
                pevent->OSEventType = OS_EVENT_TYPE_UNUSED;
                pevent->OSEventPtr = OSEventFreeList;
                pevent->OSEventCnt = 0u;
                OSEventFreeList = pevent;
                OS_EXIT_CRITICAL();
                *err = OS_ERR_NONE;
                return ((OS_EVENT *)0);
            } else {
                OS_EXIT_CRITICAL();
                *err = OS_ERR_TASK_WAITING;
                return (pevent);
            }

            case OS_DEL_ALWAYS:
                while (pevent->OSEventGrp != 0x00) {
                    OS_EventTaskRdy(pevent, (void *)0, OS_STAT_SEM);
                }
                #if OS_EVENT_NAME_EN > 0u
                    pevent->OSEventName = (INT8U *) (void *)"?";
                #endif
                pevent->OSEventType = OS_EVENT_TYPE_UNUSED;
                pevent->OSEventPtr = OSEventFreeList;
                pevent->OSEventCnt = 0u;
                OSEventFreeList = pevent;
                OS_EXIT_CRITICAL();
                if (tasks_waiting == OS_TRUE) {
                    OS_Sched();
                }
                *err = OS_ERR_NONE;
                return ((OS_EVENT *)0);

            default:
                OS_EXIT_CRITICAL();
    }
}

```

```
        *err = OS_ERR_INVALID_OPT;  
        return (pevent);  
    }  
}
```

Listing - Listing 7.2 Deleting a Semaphore

- (1) OS_SemDel() starts by making sure that this function is not called from an ISR because that's not allowed.
- (2) & (3) OS_SemDel() validates pevent to ensure that it's not a NULL pointer and that it points to an ECB that was created as a semaphore.
- (4) OS_SemDel() then determines whether there are any tasks waiting on the semaphore. The flag tasks_waiting is set accordingly.

Based on the option (i.e. opt) specified in the call, OS_SemDel() will either delete the semaphore only if no tasks are pending on the semaphore (opt == OS_DEL_NO_PEND) or, delete the semaphore even if tasks are waiting (opt == OS_DEL_ALWAYS).

- (5) , (6) & (7) When opt is set to OS_DEL_NO_PEND and there is no task waiting on the semaphore, OS_SemDel() marks the ECB as unused and the ECB is returned to the free list of ECBs. This will allow another semaphore (or any other ECB based object) to be created.
- (8) You will note that OS_SemDel() returns a NULL pointer since, at this point, the semaphore should no longer be accessed through the original pointer. OS_SemDel() returns an error code if there were task waiting on the semaphore (i.e., OS_ERR_TASK_WAITING) because by specifying OS_DEL_NO_PEND you indicated that you didn't want to delete the semaphore if there are tasks waiting on the semaphore.
- (9) & (10) When opt is set to OS_DEL_ALWAYS then all tasks waiting on the semaphore will be readied. Each task will *think* it has access to the semaphore. Of course, that's a dangerous outcome since the whole point of having a semaphore is to protect against multiple access to a resource.
- (11) & (12) Once all pending tasks are readied, OS_SemDel() marks the ECB as unused and the ECB is returned to the free list of ECBs.

- (13) The scheduler is called only if there were tasks waiting on the semaphore.
- (14) Again, you will note that `OSemDel()` returns a NULL pointer since, at this point, the semaphore should no longer be accessed through the original pointer.

Waiting on a Semaphore (blocking), `OSemPend()`

The code to wait on a semaphore is shown in Listing 7.3.

```

void OSSemPend (OS_EVENT *pevent, INT16U timeout, INT8U *err)
{
    #if OS_CRITICAL_METHOD == 3
        OS_CPU_SR cpu_sr;
    #endif

    #if OS_ARG_CHK_EN > 0
        if (pevent == (OS_EVENT *)0) {           (1)
            *err = OS_ERR_PEVENT_NULL;
            return;
        }
    #endif
    if (pevent->OSEventType != OS_EVENT_TYPE_SEM) {
        *err = OS_ERR_EVENT_TYPE;
        return;
    }
    if (OSIntNesting > 0) {                       (2)
        *err = OS_ERR_PEND_ISR;
        return;
    }
    if (OSLockNesting > 0) {                     (3)
        *err = OS_ERR_PEND_LOCKED;
        return;
    }
    OS_ENTER_CRITICAL();
    if (pevent->OSEventCnt > 0) {                 (4)
        pevent->OSEventCnt--;                    (5)
        OS_EXIT_CRITICAL();
        *err = OS_ERR_NONE;                      (6)
        return;
    }
    OSTCBCur->OSTCBStat |= OS_STAT_SEM;          (7)
    OSTCBCur->OSTCBDly = timeout;                (8)
    OS_EventTaskWait(pevent);                   (9)
    OS_EXIT_CRITICAL();
    OS_Sched();                                 (10)
    OS_ENTER_CRITICAL();
    switch (OSTCBCur->OSTCBStatPend) {           (11)
        case OS_STAT_PEND_OK:
            *perr = OS_ERR_NONE;
            break;

        case OS_STAT_PEND_ABORT:
            *perr = OS_ERR_PEND_ABORT;
            break;

        case OS_STAT_PEND_TO:
        default:
            OS_EventTaskRemove(OSTCBCur, pevent); (12)
            *perr = OS_ERR_TIMEOUT;
            break;
    }
    OSTCBCur->OSTCBStat = OS_STAT_RDY;          (13)
    OSTCBCur->OSTCBStatPend = OS_STAT_PEND_OK;
    OSTCBCur->OSTCBEventPtr = (OS_EVENT *)0;
    #if (OS_EVENT_MULTI_EN > 0u)
        OSTCBCur->OSTCBEventMultiPtr = (OS_EVENT **)0;
    #endif
    OS_EXIT_CRITICAL();
}

```

Listing - Listing 7.3 Waiting for a semaphore.

- (1) If `OS_ARG_CHK_EN` is set to 1, `OSSemPend()` checks that `pevent` is not a NULL pointer and the ECB being pointed to by `pevent` has been created by `OSSemCreate()` .
- (2) `OSSemPend()` checks to see if the function was called by an ISR. It doesn't make sense to call `OSSemPend()` from an ISR because an ISR cannot be made to wait. Instead, you should call `OSSemAccept()` (see section 7.05).
- (3) You should not wait on a semaphore when the scheduler is locked.
- (4) & (5) If the semaphore is available (its count is nonzero), the count is decremented and the function returns to its caller with an error code indicating success. If your code calls `OSSemPend()` , this is the outcome you are looking for because it indicates that your code can proceed and access the resource (if `OSSemPend()` is used to guard a shared resource). This also happens to be the fastest path through `OSSemPend()` .
- (6) If the semaphore is not available (the count was zero), `OSSemPend()` checks to see if the function was called by an ISR. It doesn't make sense to call `OSSemPend()` from an ISR because an ISR cannot be made to wait. Instead, you should call `OSSemAccept()` (see section 7.05). I decided to add this check just in case. However, if the semaphore is in fact available, the call to `OSSemPend()` would be successful even if called by an ISR!

If the semaphore count is zero, the calling task needs to be put to sleep until another task (or an ISR) signals the semaphore (see section 7.04). `OSSemPend()` allows you to specify a timeout value (in integral number of ticks) as one of its arguments (i.e., `timeout`). This feature is useful to avoid waiting indefinitely for the semaphore. If the value passed is nonzero, `OSSemPend()` suspends the task until the semaphore is signaled or the specified timeout period expires. Note that a timeout value of 0 indicates that the task is willing to wait forever for the semaphore to be signaled.

- (7) To put the calling task to sleep, `OSSemPend()` sets the status flag in the task's TCB (Task Control Block) to indicate that the task is suspended waiting for a semaphore.
- (8) The timeout is also stored in the TCB so that it can be decremented by `OSTimeTick()`. You should recall (see section 3.??, Clock Tick) that `OSTimeTick()` decrements each of the created task's `.OSTCBDly` field if it's nonzero.
- (9) The actual work of putting the task to sleep is done by `OS_EventTaskWait()` [see section

6.??, Making a Task Wait for an Event, OS_EventTaskwait()].

- (10) Because the calling task is no longer ready to run, the scheduler is called to run the next highest priority task that is ready to run. As far as your task is concerned, it made a call to `OS_SemPend()` and it doesn't know that it will be suspended until the semaphore is signaled.
- (11) When the semaphore is signaled (or the timeout period expires) `OS_SemPend()` will resume execution immediately after the call to `OS_Sched()`. `OS_SemPend()` then checks to see if the TCB status flag is still set to indicate that the task is waiting for the semaphore. If the task is still waiting for the semaphore, it must not have been signaled by an `OS_SemPost()` call. Indeed, the task must have been readied by `OSTimeTick()`, indicating that the timeout period has expired.
- (12) In this case, the task is removed from the wait list for the semaphore by calling `OS_EventTaskRemove()`, and an error code is returned to the task that called `OS_SemPend()` to indicate that a timeout occurred. If the status flag in the task's TCB doesn't have the `OS_STAT_SEM` bit set, then the semaphore must have been signaled by `OS_SemPost()` (see section 7.04) and the task that called `OS_SemPend()` can now conclude that it has the semaphore.
- (14) Finally, the link to the ECB is removed.

Signaling a Semaphore, OS_SemPost()

The code to signal a semaphore is shown in Listing 7.4.

```

INT8U OS_SemPost (OS_EVENT *pevent)
{
    #if OS_CRITICAL_METHOD == 3
        OS_CPU_SR cpu_sr;
    #endif

    #if OS_ARG_CHK_EN > 0
        if (pevent == (OS_EVENT *)0) {
            return (OS_ERR_EVENT_NULL);
        }
    #endif
    if (pevent->OSEventType != OS_EVENT_TYPE_SEM) {
        return (OS_ERR_EVENT_TYPE);
    }
    OS_ENTER_CRITICAL();
    if (pevent->OSEventGrp != 0u) {
        OS_EventTaskRdy(pevent, (void *)0, OS_STAT_SEM, OS_STAT_PEND_OK);
        OS_EXIT_CRITICAL();
        OS_Sched();
        return (OS_ERR_NONE);
    }
    if (pevent->OSEventCnt < 65535u) {
        pevent->OSEventCnt++;
        OS_EXIT_CRITICAL();
        return (OS_ERR_NONE);
    }
    OS_EXIT_CRITICAL();
    return (OS_ERR_SEM_OVF);
}

```

Listing - Listing 7.4 Signaling a semaphore.

- (1) & (2) If OS_ARG_CHK_EN is set to 1, OS_SemPost() checks that pevent is not a NULL pointer and the ECB being pointed to by pevent has been created by OS_SemCreate() .
- (3) OS_SemPost() then checks to see if any tasks are waiting on the semaphore. There are tasks waiting when the .OSEventGrp field in the ECB contains a nonzero value.
- (4) & (5) The highest priority task waiting for the semaphore is removed from the wait list by OS_EventTaskRdy() [see section 6.??, Making a Task Ready, OS_EventTaskRdy()] and made ready-to-run. OS_Sched() is then called to see if the task made ready is now the highest priority task ready-to-run. If it is, a context switch results [only if OS_SemPost() is called from a task] and the readied task is executed. In other words, the task that called OS_SemPost() will NOT continue execution because OS_SemPost() made a more important task ready-to-run and µC/OS-II will thus resume execution of that task. If the readied task is not the highest priority task, OS_Sched() returns and the task that called OS_SemPost() continues execution.

- (6) & (7) If there are no tasks waiting on the semaphore, the semaphore count simply gets incremented. Note that a counting semaphore is implemented in µC/OS-II using a 16-bit variable and `OSSemPost()` ensures that the semaphore is not overflowed otherwise, an error is returned to the task that called `OSSemPost()` .

It's important to note that a context switch does NOT occur if `OSSemPost()` is called by an ISR because context switching from an ISR can only occur when `OSIntExit()` is called at the completion of the ISR from the last nested ISR (see section 3.??, Interrupts under µC/OS-II).

Getting a Semaphore without Waiting (non-blocking), OSSemAccept()

It is possible to obtain a semaphore without putting a task to sleep if the semaphore is not available. This is accomplished by calling `OSSemAccept()` as shown in Listing 7.5.

The code that called `OSSemAccept()` needs to examine the returned value. A returned value of zero indicates that the semaphore is not available; a nonzero value indicates that the semaphore is available. Furthermore, a nonzero value indicates to the caller the number of resources that are available. Keep in mind that, in this case, one of the resources has been allocated to the calling task because the count has been decremented.

An ISR could use `OSSemAccept()`. However, it's not recommended to have a semaphore shared between a task and an ISR. Semaphores are supposed to be task level objects. If a semaphore is used as a signalling object between an ISR and a task then, the ISR should only POST to the semaphore.


```
INT16U OS_SemAccept (OS_EVENT *pevent)
{
    #if OS_CRITICAL_METHOD == 3
        OS_CPU_SR cpu_sr;
    #endif
    INT16U cnt;

    #if OS_ARG_CHK_EN > 0
        if (pevent == (OS_EVENT *)0) {           (1)
            return (0);
        }
    #endif
    if (pevent->OSEventType != OS_EVENT_TYPE_SEM) { (2)
        return (0);
    }
    OS_ENTER_CRITICAL();
    cnt = pevent->OSEventCnt;                    (3)
    if (cnt > 0u) {                              (4)
        pevent->OSEventCnt--;                    (5)
    }
    OS_EXIT_CRITICAL();
    return (cnt);                                (6)
}
```

Listing - Listing 7.5 Getting a semaphore without waiting.

- (1) & (2) If OS_ARG_CHK_EN is set to 1 in OS_CFG.H, OS_SemAccept() starts by checking that pevent is not a NULL pointer and that the ECB being pointed to by pevent has been created by OS_SemCreate().
- (3) & (4) OS_SemAccept() then gets the current semaphore count to determine whether the semaphore is available (i.e., a nonzero value).
- (5) The count is decremented only if the semaphore was available.
- (6) Finally, the original count of the semaphore is returned to the caller.

Obtaining the Status of a Semaphore, OSSemQuery()

OSSemQuery() allows your application to take a “snapshot” of an ECB that is used as a semaphore (Listing 7.6). OSSemQuery() receives two arguments: pevent contains a pointer to the semaphore, which is returned by OSSemCreate() when the semaphore is created, and pdata is a pointer to a data structure (OS_SEM_DATA, see uCOS_II.H) that holds information about the semaphore. Your application will thus need to allocate a variable of type OS_SEM_DATA that will be used to receive the information about the desired semaphore. I decided to use a new data structure because the caller should only be concerned with semaphore-specific data as opposed to the more generic OS_EVENT data structure, which contain two additional fields (.OSEventType and .OSEventPtr). OS_SEM_DATA contains the current semaphore count (.OSCnt) and the list of tasks waiting on the semaphore (.OSEventTbl[] and .OSEventGrp).

```

INT8U OSSemQuery (OS_EVENT *pevent, OS_SEM_DATA *p_sem_data)
{
    #if OS_CRITICAL_METHOD == 3
        OS_CPU_SR cpu_sr;
    #endif
    INT8U *psrc;
    INT8U *pdest;

    #if OS_ARG_CHK_EN > 0
        if (pevent == (OS_EVENT *)0) {                (1)
            return (OS_ERR_PEVENT_NULL);
        }
        if (p_sem_data == (OS_SEM_DATA *)0) {
            return (OS_ERR_PDATA_NULL);
        }
    #endif
    if (pevent->OSEventType != OS_EVENT_TYPE_SEM) {    (2)
        return (OS_ERR_EVENT_TYPE);
    }
    OS_ENTER_CRITICAL();
    p_sem_data->OSEventGrp = pevent->OSEventGrp;        (3)
    psrc = &pevent->OSEventTbl[0];
    pdest = &p_sem_data->OSEventTbl[0];
    for (i = 0u; i < OS_EVENT_TBL_SIZE; i++) {        (4)
        *pdest++ = *psrc++;
    }
    p_sem_data->OSCnt = pevent->OSEventCnt;
    OS_EXIT_CRITICAL();
    return (OS_ERR_NONE);
}

```

Listing - Listing 7.6 Obtaining the status of a semaphore.

- (1) & (2) As always, if OS_ARG_CHK_EN is set to 1, OSSemQuery() checks that pevent is not a NULL pointer and that it points to an ECB containing a semaphore.

- (3) `OSSemQuery()` then copies the wait list from the `OS_EVENT` structure to the `OS_SEM_DATA` structure.
- (4) Finally, `OSSemQuery()` copies the current semaphore count from the `OS_EVENT` structure to the `OS_SEM_DATA` structure.

Mutual Exclusion Semaphores

Mutex Utilization

Mutual Exclusion Semaphores or simply *mutexes* are used by tasks to gain exclusive access to a resource. Mutexes are *binary semaphores* that have additional features beyond the normal semaphores mechanism provided by µC/OS-II.

A mutex is used by your application code to reduce the priority inversion problem as described in [Real-Time Systems Concepts](#). A priority inversion occurs when a low priority task owns a resource needed by a high priority task. In order to reduce priority inversion, the kernel can increase the priority of the low priority task to the priority of the higher priority task until the low priority task is done with the resource.

In order to implement mutexes, a real-time kernel needs to provide the ability to support multiple tasks at the same priority. Unfortunately, µC/OS-II doesn't allow multiple tasks at the same priority. However, there is a way around this problem. What if a priority just above the high priority task was *reserved* by the mutex to allow a low priority task to be raised in priority.

Let's use an example to illustrate how µC/OS-II mutexes work. Listing 8.1 shows three tasks that may need to access a common resource. To access the resource, each task must pend on the mutex ResourceMutex. Task #1 has the highest priority (10), task #2 has a medium priority (15) and task #3, the lowest (20). An unused priority just above the highest task priority (i.e., priority 9) will be reserved as the *Priority Ceiling Priority (PCP)*.

```
OS_EVENT *ResourceMutex;
OS_STK   TaskPrio10Stk[1000];
OS_STK   TaskPrio15Stk[1000];
OS_STK   TaskPrio20Stk[1000];

void main (void)
{
    INT8U err;

    OSInit();                                     (1)
    ----- Application Initialization -----
    OSMutexCreate(9, &err);                       (2)
    OSTaskCreate(TaskPrio10, (void *)0, &TaskPrio10Stk[999], 10); (3)
    OSTaskCreate(TaskPrio15, (void *)0, &TaskPrio15Stk[999], 15);
    OSTaskCreate(TaskPrio20, (void *)0, &TaskPrio20Stk[999], 20);
    ----- Application Initialization -----
    OSStart();                                    (4)
}

void TaskPrio10 (void *pdata)
{
    INT8U err;

    pdata = pdata;
    while (1) {
        ----- Application Code -----
        OSMutexPend(ResourceMutex, 0, &err);
        ----- Access common resource -----
        OSMutexPost(ResourceMutex);
        ----- Application Code -----
    }
}

void TaskPrio15 (void *pdata)
{
    INT8U err;

    pdata = pdata;
    while (1) {
        ----- Application Code -----
        OSMutexPend(ResourceMutex, 0, &err);
        ----- Access common resource -----
        OSMutexPost(ResourceMutex);
        ----- Application Code -----
    }
}

void TaskPrio20 (void *pdata)
{
    INT8U err;

    pdata = pdata;
    while (1) {
        ----- Application Code -----
        OSMutexPend(ResourceMutex, 0, &err);
        ----- Access common resource -----
        OSMutexPost(ResourceMutex);
    }
}
```


OSMutexPend() and OSMutexPost() cannot be individually disabled like the other services. That's because they are always needed when you enable µC/OS-II mutual exclusion semaphore management.

µC/OS-II Mutex Service	Enabled when set to 1 in OS_CFG.H
OSMutexAccept()	OS_MUTEX_ACCEPT_EN
OSMutexCreate()	
OSMutexDel()	OS_MUTEX_DEL_EN
OSMutexPend()	
OSMutexPost()	
OSMutexQuery()	OS_MUTEX_QUERY_EN

Table - Table 8.1 Mutex configuration constants in OS_CFG.H

Figure 8.1 shows a flow diagram to illustrate the relationship between tasks and a mutex. A mutex can only be accessed by tasks. Note that the symbology used to represent a mutex is a 'key'. The 'key' symbology shows that the mutex is used to access shared resources.

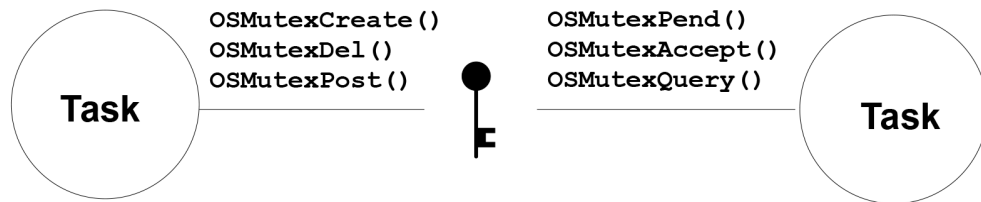


Figure - Figure 8.1, Relationship between tasks and a mutex

Creating a Mutex, OSMutexCreate()

A mutex needs to be created before it can be used. Creating a mutex is accomplished by calling OSMutexCreate(). The initial value of a mutex is always set to 1 indicating that the resource is available. The code to create a mutex is shown in listing 8.2.

```

OS_EVENT *OSMutexCreate (INT8U prio, INT8U *err)
{
    #if OS_CRITICAL_METHOD == 3
        OS_CPU_SR cpu_sr;
    #endif
    OS_EVENT *pevent;

    if (OSIntNesting > 0) {
        *err = OS_ERR_CREATE_ISR;
        return ((OS_EVENT *)0);
    }
    #if OS_ARG_CHK_EN
        if (prio >= OS_LOWEST_PRIO) {
            *err = OS_PRIO_INVALID;
            return ((OS_EVENT *)0);
        }
    #endif
    OS_ENTER_CRITICAL();
    if (OSTCBPrioTbl[prio] != (OS_TCB *)0) {
        *err = OS_PRIO_EXIST;
        OS_EXIT_CRITICAL();
        return ((OS_EVENT *)0);
    }
    OSTCBPrioTbl[prio] = (OS_TCB *)1;
    pevent = OSEventFreeList;
    if (pevent == (OS_EVENT *)0) {
        OSTCBPrioTbl[prio] = (OS_TCB *)0;
        OS_EXIT_CRITICAL();
        *err = OS_ERR_PEVENT_NULL;
        return (pevent);
    }
    OSEventFreeList = (OS_EVENT *)OSEventFreeList->OSEventPtr;
    OS_EXIT_CRITICAL();
    pevent->OSEventType = OS_EVENT_TYPE_MUTEX;
    pevent->OSEventCnt = (prio << 8) | OS_MUTEX_AVAILABLE;
    pevent->OSEventPtr = (void *)0;
    OSEventWaitListInit(pevent);
    *err = OS_NO_ERR;
    return (pevent);
}
}

```

Listing - Listing 8.2, Creating a mutex.

- (1) OSMutexCreate() starts by making sure it's not called from an ISR because that's not allowed.
- (2) OSMutexCreate() then verifies that the PIP is within valid ranged based on what you determined the lowest priority is for your application as specified in OS_CFG.H.
- (3) OSMutexCreate() then checks to see that there isn't already a task assigned to the PIP. A NULL pointer in OSTCBPrioTbl[] indicates for the Priority Inheritance Priority (PIP) is

available.

- (4) If an entry is available, `OSMutexCreate()` reserves the priority by placing a non-NULL pointer in `OSTCBPrioTbl[prio]`. This will prevent you from being able to use this priority to create other tasks or other mutexes using this priority.
- (5) `OSMutexCreate()` then attempts to obtain an ECB (Event Control Block) from the free list of ECBs.
- (6) The linked list of free ECBs is adjusted to point to the next free ECB.
- (7) If there was an ECB available, the ECB type is set to `OS_EVENT_TYPE_MUTEX`. Other µC/OS-II services will check this field to make sure that the ECB is of the proper type. This prevents you from calling `OSMutexPost()` on an ECB that was created for use as a message mailbox, for example.
- (8) `OSMutexCreate()` then set the mutex value to 'available' and the PIP is stored.

It is worth noting that the `.OSEventCnt` field is used differently. Specifically, the upper 8 bits of `.OSEventCnt` are used to hold the PIP and the lower 8 bits are used to hold either the value of the mutex when the resource is available (0xFF) or, the priority of the task that 'owns' the mutex (a value between 0 and 62). This prevents having to add extra fields in an `OS_EVENT` structure and thus reduces the amount of RAM needed by µC/OS-II.

- (9) Because the mutex is being initialized, there are no tasks waiting for it.
- (10) The wait list is then initialized by calling `OSEventWaitListInit()`.
- (11) Finally, `OSMutexCreate()` returns a pointer to the ECB. This pointer MUST be used in subsequent calls to manipulate mutexes (`OSMutexPend()`, `OSMutexPost()`, `OSMutexAccept()`, `OSMutexDel()` and `OSMutexQuery()`). The pointer is basically used as the mutex's handle. If there were no more ECBs, `OSMutexCreate()` would have returned a NULL pointer.

Figure 8.2 shows the ECB just before returning from `OSMutexCreate()`.

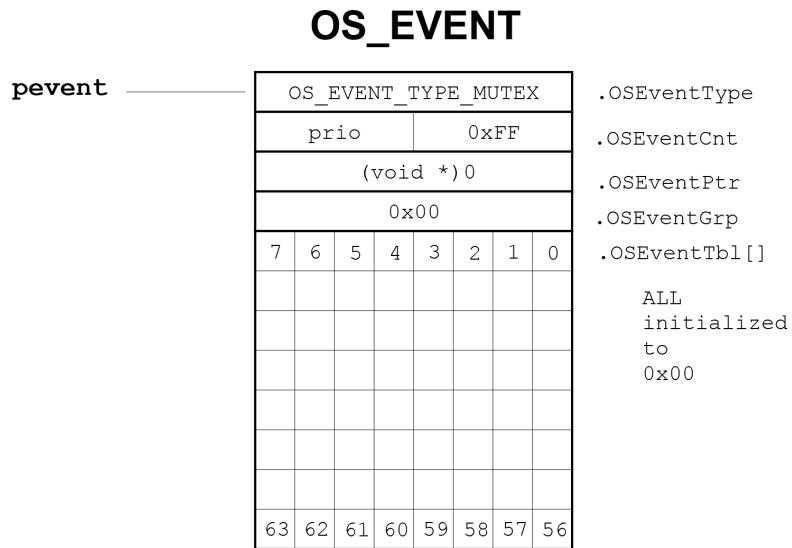


Figure - Figure 8.2, ECB just before OSMutexCreate() returns

Deleting a Mutex, OSMutexDel()

The code to delete a mutex is shown in listing 8.3 and this service is available only if OS_MUTEX_DEL_EN is set to 1 in OS_CFG.H. This is a dangerous function to use because multiple tasks could attempt to access a deleted mutex. You should always use this function with great care. Generally speaking, before you would delete a mutex, you should first delete all the tasks that can access the mutex.

```

OS_EVENT *OSMutexDel (OS_EVENT *pevent, INT8U opt, INT8U *err)
{
    #if OS_CRITICAL_METHOD == 3
        OS_CPU_SR cpu_sr;
    #endif
    BOOLEAN    tasks_waiting;

    if (OSIntNesting > 0) {                (1)
        *err = OS_ERR_DEL_ISR;
        return (pevent);
    }
    #if OS_ARG_CHK_EN
        if (pevent == (OS_EVENT *)0) {    (2)
            *err = OS_ERR_PEVENT_NULL;
            return (pevent);
        }
        if (pevent->OSEventType != OS_EVENT_TYPE_MUTEX) {    (3)
            OS_EXIT_CRITICAL();
            *err = OS_ERR_EVENT_TYPE;
            return (pevent);
        }
    #endif
    OS_ENTER_CRITICAL();
    if (pevent->OSEventGrp != 0x00) {      (4)
        tasks_waiting = TRUE;
    } else {
        tasks_waiting = FALSE;
    }
    switch (opt) {
        case OS_DEL_NO_PEND:
            if (tasks_waiting == FALSE) {    (5)
                pevent->OSEventType = OS_EVENT_TYPE_UNUSED;    (6)
                pevent->OSEventPtr = OSEventFreeList;    (7)
                OSEventFreeList = pevent;
                OS_EXIT_CRITICAL();
                *err = OS_NO_ERR;
                return ((OS_EVENT *)0);    (8)
            } else {
                OS_EXIT_CRITICAL();
                *err = OS_ERR_TASK_WAITING;
                return (pevent);
            }
        case OS_DEL_ALWAYS:                (9)
            while (pevent->OSEventGrp != 0x00) {    (10)
                OS_EventTaskRdy(pevent, (void *)0, OS_STAT_MUTEX);
            }
            pevent->OSEventType = OS_EVENT_TYPE_UNUSED;    (11)
            pevent->OSEventPtr = OSEventFreeList;    (12)
            OSEventFreeList = pevent;
            OS_EXIT_CRITICAL();
            if (tasks_waiting == TRUE) {    (13)
                OS_Sched();
            }
            *err = OS_NO_ERR;
            return ((OS_EVENT *)0);    (14)
        default:
            OS_EXIT_CRITICAL();
            *err = OS_ERR_INVALID_OPT;
            return (pevent);
    }
}

```

Listing - Listing 8.3, Deleting a mutex.

- (1) `OSMutexDel()` starts by making sure that this function is not called from an ISR because that's not allowed.
- (2)
- (3) We then check the arguments passed to it— `pevent` cannot be a NULL pointer and `pevent` needs to point to a mutex.
- (4) `OSMutexDel()` then determines whether there are any tasks waiting on the mutex. The flag `tasks_waiting` is set accordingly.

Based on the option (i.e., `opt`) specified in the call, `OSMutexDel()` will either delete the mutex only if no tasks are pending on the mutex (`opt == OS_DEL_NO_PEND`) or, delete the mutex even if tasks are waiting (`opt == OS_DEL_ALWAYS`).

- (5)
- (6)
- (7) When `opt` is set to `OS_DEL_NO_PEND` and there is no task waiting on the mutex, `OSMutexDel()` marks the ECB as unused and the ECB is returned to the free list of ECBs. This will allow another mutex (or any other ECB based object) to be created. You will note that `OSMutexDel()` returns a NULL pointer L8.3(8) since, at this point, the mutex should no longer be accessed through the original pointer.
- (9)
- (10) When `opt` is set to `OS_DEL_ALWAYS` then all tasks waiting on the mutex will be readied. Each task will *think* it has access to the mutex. Of course, that's a dangerous outcome since the whole point of having a mutex is to protect against multiple access of a resource. Again, you should delete all the tasks that can access the mutex before you delete the mutex.
- (11)

- (12) Once all pending tasks are readied, `OSMutexDel()` marks the ECB as unused and the ECB is returned to the free list of ECBs.
- (13) The scheduler is called only if there were tasks waiting on the mutex.
- (14) You will note that `OSMutexDel()` returns a NULL pointer since, at this point, the mutex should no longer be accessed through the original pointer.

Waiting on a Mutex (blocking), `OSMutexPend()`

The code to wait on a mutex is shown in listing 8.4.

```

void OSMutexPend (OS_EVENT *pevent, INT16U timeout, INT8U *err)
{
    #if OS_CRITICAL_METHOD == 3
        OS_CPU_SR cpu_sr;
    #endif
    INT8U    pip;
    INT8U    mprio;
    BOOLEAN  rdy;
    OS_TCB   *ptcb;

    if (OSIntNesting > 0) {
        *err = OS_ERR_PEND_ISR;
        return;
    }
    #if OS_ARG_CHK_EN
        if (pevent == (OS_EVENT *)0) {
            *err = OS_ERR_PEVENT_NULL;
            return;
        }
    #endif
    OS_ENTER_CRITICAL();
    #if OS_ARG_CHK_EN
        if (pevent->OSEventType != OS_EVENT_TYPE_MUTEX) {
            OS_EXIT_CRITICAL();
            *err = OS_ERR_EVENT_TYPE;
            return;
        }
    #endif

    if ((INT8U)(pevent->OSEventCnt & OS_MUTEX_KEEP_LOWER_8) == OS_MUTEX_AVAILABLE) {
        pevent->OSEventCnt &= OS_MUTEX_KEEP_UPPER_8;
        pevent->OSEventCnt |= OSTCBCur->OSTCBPrio;
        pevent->OSEventPtr = (void *)OSTCBCur;
        OS_EXIT_CRITICAL();
        *err = OS_NO_ERR;
        return;
    }

    pip = (INT8U)(pevent->OSEventCnt >> 8);
    mprio = (INT8U)(pevent->OSEventCnt & OS_MUTEX_KEEP_LOWER_8);
    ptcb = (OS_TCB *) (pevent->OSEventPtr);

    if (ptcb->OSTCBPrio != pip && mprio > OSTCBCur->OSTCBPrio) {
        if ((OSRdyTbl[ptcb->OSTCBBY] & ptcb->OSTCBBitX) != 0x00) {
            if ((OSRdyTbl[ptcb->OSTCBBY] & ~ptcb->OSTCBBitX) == 0x00) {
                OSRdyGrp &= ~ptcb->OSTCBBitY;
            }
            rdy = TRUE;
        }
        else {
            rdy = FALSE;
        }
        ptcb->OSTCBPrio = pip;
        ptcb->OSTCBBY = ptcb->OSTCBPrio >> 3;
        ptcb->OSTCBBitY = OSMMapTbl[ptcb->OSTCBBY];
        ptcb->OSTCBX = ptcb->OSTCBPrio & 0x07;
        ptcb->OSTCBBitX = OSMMapTbl[ptcb->OSTCBX];
        if (rdy == TRUE) {
            OSRdyGrp |= ptcb->OSTCBBitY;
            OSRdyTbl[ptcb->OSTCBBY] |= ptcb->OSTCBBitX;
        }
        OSTCBPrioTbl[pip] = (OS_TCB *)ptcb;
    }
}

```

```
OSTCBCur->OSTCBStat |= OS_STAT_MUTEX;           (18)
OSTCBCur->OSTCBDly = timeout;                     (19)
OS_EventTaskWait(pevent);                         (20)
OS_EXIT_CRITICAL();
OS_Sched();                                       (21)
OS_ENTER_CRITICAL();
if (OSTCBCur->OSTCBStat & OS_STAT_MUTEX) {       (22)
    OS_EventTO(pevent);                           (23)

    OS_EXIT_CRITICAL();
    *err = OS_TIMEOUT;                            (24)
    return;
}
OSTCBCur->OSTCBEventPtr = (OS_EVENT *)0;         (25)

OS_EXIT_CRITICAL();
*err = OS_NO_ERR;
}
```

Listing - Listing 8.4, Waiting for a mutex.

- (1) Like all µC/OS-II pend calls, `OSMutexPend()` cannot be called from an ISR and thus, `OSMutexPend()` checks for this condition first.
- (2) & (3) Assuming that the configuration constant `OS_ARG_CHK_EN` is set to 1, `OSMutexPend()` makes sure that the 'handle' `pevent` is not a NULL pointer and that the ECB being pointed to has been created by `OSMutexCreate()`.
- (4) & (5)
- (6) The mutex is available if the lower 8 bits of `.OSEventCnt` are set to `0xFF` (i.e., `OS_MUTEX_AVAILABLE`). If this is the case, `OSMutexPend()` will grant the mutex to the calling task and, `OSMutexPend()` will set the lower 8 bits of `.OSEventCnt` to the calling's task priority.
- (7) `OSMutexPend()` then sets `.OSEventPtr` to point to the TCB of the calling task and returns. At this point the caller can proceed with accessing the resource since the return error code is set to `OS_NO_ERR`. Obviously, if you want the mutex, this is the outcome you are looking for. This also happens to be the fastest (normal) path through `OSMutexPend()`.

If the mutex is owned by another task, the calling task needs to be put to sleep until the other task relinquishes the mutex (see `OSMutexPost()`). `OSMutexPend()` allows you to specify a timeout value as one of its arguments (i.e., `timeout`). This feature is useful to avoid waiting indefinitely for the mutex. If the value passed is non-zero, then

OSMutexPend() will suspend the task until the mutex is signaled or the specified timeout period expires. Note that a timeout value of 0 indicates that the task is willing to wait forever for the mutex to be signaled.

- (8) & (9) & (10) Before the calling task is put to sleep, OSMutexPend() extracts the PIP of the mutex, the priority of the task that owns the mutex and a pointer to the TCB of the task that owns the mutex.
- (11) If the owner's priority is *lower* (a higher number) than the task that calls OSMutexPend() then, the priority of the task that owns the mutex will be raised to the mutex's priority inheritance priority (PIP). This will allow the owner to relinquish the mutex sooner.
- (12) OSMutexPend() then determines if the task that owns the mutex is ready-to-run.
- (13) & (14) If it is, that task will be made no longer ready-to-run at the the owner's priority and the flag rdy will be set indicating that the mutex owner was ready-to-run.
- (15) If the task was not ready-to-run, rdy is set accordingly. The reason the flag is set is to determine whether we need to make the task ready-to-run at the new, higher priority (i.e., at the PIP).
- (16) OSMutexPend() then computes TCB (Task Control Block) elements at the PIP. You should note that I could have saved this information in the OS_EVENT data structure when the mutex was created in order to save processing time. However, this would have meant additional RAM for each OS_EVENT instantiation.
- (17) From this information and the state of the rdy flag, we determine whether the mutex owner needs to be made ready-to-run at the PIP.
- (18) To put the calling task to sleep, OSMutexPend() sets the status flag in the task's TCB to indicate that the task is suspended waiting for a mutex.
- (19) The timeout is also stored in the TCB so that it can be decremented by OSTimeTick(). You should recall that OSTimeTick() decrements each of the created tasks .OSTCBDly fields if they are non-zero.
- (20) The actual work of putting the task to sleep is done by OS_EventTaskWait().

- (21) Because the calling task is no longer ready-to-run, the scheduler is called to run the next highest priority task that is ready-to-run.

When the mutex is signaled (or the timeout period expires) and the task that called `OSMutexPend()` is again the highest priority task, `OS_Sched()` returns.

- (22) `OSMutexPend()` then checks to see if the TCB's status flag is still set to indicate that the task is waiting for the mutex. If the task is still waiting for the mutex then it must not have been signaled by an `OSMutexPost()` call. Indeed, the task must have been readied by `OSTimeTick()` indicating that the timeout period has expired.

- (23) & (24) In this case, the task is removed from the wait list for the mutex by calling `OS_EventTO()`, and an error code is returned to the task that called `OSMutexPend()` to indicate that a timeout occurred.

If the status flag in the task's TCB doesn't have the `OS_STAT_MUTEX` bit set then the mutex must have been signaled and the task that called `OSMutexPend()` can now conclude that it has the mutex.

- (25) Finally, the link to the ECB is removed.

Signaling a Mutex, `OSMutexPost()`

The code to signal a mutex is shown in listing 8.5.

```

INT8U OSMutexPost (OS_EVENT *pevent)
{
    #if OS_CRITICAL_METHOD == 3
        OS_CPU_SR cpu_sr;
    #endif
    INT8U    pip;
    INT8U    prio;

    if (OSIntNesting > 0) {
        return (OS_ERR_POST_ISR);
    }
    #if OS_ARG_CHK_EN
        if (pevent == (OS_EVENT *)0) {
            return (OS_ERR_PEVENT_NULL);
        }
    #endif
    OS_ENTER_CRITICAL();
    pip = (INT8U)(pevent->OSEventCnt >> 8);
    prio = (INT8U)(pevent->OSEventCnt & OS_MUTEX_KEEP_LOWER_8);
    #if OS_ARG_CHK_EN
        if (pevent->OSEventType != OS_EVENT_TYPE_MUTEX) {
            OS_EXIT_CRITICAL();
            return (OS_ERR_EVENT_TYPE);
        }
        if (OSTCBCur->OSTCBPrio != pip ||
            OSTCBCur->OSTCBPrio != prio) {
            OS_EXIT_CRITICAL();
            return (OS_ERR_NOT_MUTEX_OWNER);
        }
    #endif
    if (OSTCBCur->OSTCBPrio == pip) {
        if ((OSRdyTbl[OSTCBCur->OSTCBBY] & ~OSTCBCur->OSTCBBitX) == 0) {
            OSRdyGrp &= ~OSTCBCur->OSTCBBitY;
        }
        OSTCBCur->OSTCBPrio      = prio;
        OSTCBCur->OSTCBBY       = prio >> 3;
        OSTCBCur->OSTCBBitY     = OSMAPTbl[OSTCBCur->OSTCBBY];
        OSTCBCur->OSTCBBX       = prio & 0x07;
        OSTCBCur->OSTCBBitX     = OSMAPTbl[OSTCBCur->OSTCBBX];
        OSRdyGrp                |= OSTCBCur->OSTCBBitY;
        OSRdyTbl[OSTCBCur->OSTCBBY] |= OSTCBCur->OSTCBBitX;
        OSTCBPrioTbl[prio]      = (OS_TCB *)OSTCBCur;
    }
    OSTCBPrioTbl[pip] = (OS_TCB *)1;
    if (pevent->OSEventGrp != 0x00) {
        prio = OS_EventTaskRdy(pevent, (void *)0, OS_STAT_MUTEX);
        pevent->OSEventCnt &= 0xFF00;
        pevent->OSEventCnt |= prio;
        pevent->OSEventPtr = OSTCBPrioTbl[prio];
        OS_EXIT_CRITICAL();
        OS_Sched();
        return (OS_NO_ERR);
    }
    pevent->OSEventCnt |= 0x00FF;
    pevent->OSEventPtr = (void *)0;
    OS_EXIT_CRITICAL();
    return (OS_NO_ERR);
}

```

Listing - Listing 8.5, Signaling a mutex.

- (1) Mutual exclusion semaphores must only be used by tasks and thus, a check is performed to make sure that `OSMutexPost()` is not called from an ISR.
- (2) & (3) Assuming that the configuration constant `OS_ARG_CHK_EN` is set to 1, `OSMutexPost()` checks that the 'handle' event is not a NULL pointer and that the ECB being pointed to has been created by `OSMutexCreate()` .
- (4) `OSMutexPost()` makes sure that the task that is signaling the mutex actually owns the mutex. The owner's priority must either be set to the pip (`OSMutexPend()` could have raised the owner's priority) or the priority stored in the mutex itself.
- (5) `OSMutexPost()` then checks to see if the priority of the mutex owner had to be raised to the PIP because a higher priority task attempted to access the mutex. In this case, the priority of the owner is reduced back to its original value. The original task priority is extracted from the lower 8 bits of `.OSEventCnt`.
- (6) The calling task is removed from the ready list at the PIP and placed in the ready list at the task's original priority. Note that the TCB fields are recomputed for the original task priority.
- (7) Next, we check to see if any tasks are waiting on the mutex. There are tasks waiting when the `.OSEventGrp` field in the ECB contains a non-zero value.
- (8) The highest priority task waiting for the mutex will be removed from the wait list by `OS_EventTaskRdy()` (see section 6.02, *Making a task ready*, `OS_EventTaskRdy()`)and this task will be made ready-to-run.
- (9) The priority of the new owner is saved in the mutex's ECB.
- (10) `OS_Sched()` is then called to see if the task made ready is now the highest priority task ready-to-run. If it is, a context switch will result and the readied task will be executed. If the readied task is not the highest priority task then `OS_Sched()` will return and the task that called `OSMutexPost()` will continue execution.
- (11) If there were no tasks waiting on the mutex, the lower 8 bits of `.OSEventCnt` would be set to `0xFF` indicating that the mutex is immediately available.

Getting a Mutex without waiting (non-blocking), OSMutexAccept()

It is possible to obtain a mutex without putting a task to sleep if the mutex is not available. This is accomplished by calling `OSMutexAccept()` and the code for this function is shown in listing 8.6.

```

INT8U OSMutexAccept (OS_EVENT *pevent, INT8U *err)
{
    #if OS_CRITICAL_METHOD == 3
        OS_CPU_SR  cpu_sr;
    #endif

    if (OSIntNesting > 0) {                (1)
        *err = OS_ERR_PEND_ISR;
        return (0);
    }
    #if OS_ARG_CHK_EN
        if (pevent == (OS_EVENT *)0) {
            *err = OS_ERR_PEVENT_NULL;
            return (0);
        }
    #endif
    OS_ENTER_CRITICAL();
    #if OS_ARG_CHK_EN
        if (pevent->OSEventType != OS_EVENT_TYPE_MUTEX) {
            OS_EXIT_CRITICAL();
            *err = OS_ERR_EVENT_TYPE;
            return (0);
        }
    #endif
    OS_ENTER_CRITICAL();

    if ((pevent->OSEventCnt & OS_MUTEX_KEEP_LOWER_8) == OS_MUTEX_AVAILABLE) {
        pevent->OSEventCnt &= OS_MUTEX_KEEP_UPPER_8;    (3)
        pevent->OSEventCnt |= OSTCBCur->OSTCBPrio;
        pevent->OSEventPtr = (void *)OSTCBCur;          (4)
        OS_EXIT_CRITICAL();
        *err = OS_NO_ERR;
        return (1);
    }
    OS_EXIT_CRITICAL();
    *err = OS_NO_ERR;
    return (0);
}

```

Listing - Listing 8.6, Getting a mutex without waiting.

- (1) As with the other calls, if `OS_ARG_CHK_EN` is set to 1 in `OS_CFG.H`, `OSMutexAccept()` start by ensuring that it's not called from an ISR and performs boundary checks.

- (2) `OSMutexAccept()` then checks to see if the mutex is available (the lower 8 bits of `.OSEventCnt` would be set to `0xFF`).
- (3) & (4) If the mutex is available, `OSMutexAccept()` would acquire the mutex by writing the priority of the mutex owner in the lower 8 bits of `.OSEventCnt` and by linking the the owner's TCB.

The code that called `OSMutexAccept()` will need to examine the returned value. A returned value of 0 indicates that the mutex was not available while a return value of 1 indicates that the mutex was available and the caller can access the resource.

Obtaining the status of a mutex, `OSMutexQuery()`

`OSMutexQuery()` allows your application to take a 'snapshot' of an ECB that is used as a mutex. The code for this function is shown in listing 8.7.

```
INT8U OSMutexQuery (OS_EVENT *pevent, OS_MUTEX_DATA *pdata)
{
    #if OS_CRITICAL_METHOD == 3
        OS_CPU_SR cpu_sr;
    #endif
    INT8U *psrc;
    INT8U *pdest;

    if (OSIntNesting > 0) {
        return (OS_ERR_QUERY_ISR);
    }
    #if OS_ARG_CHK_EN
        if (pevent == (OS_EVENT *)0) {
            return (OS_ERR_PEVENT_NULL);
        }
    #endif
    OS_ENTER_CRITICAL();
    #if OS_ARG_CHK_EN
        if (pevent->OSEventType != OS_EVENT_TYPE_MUTEX) {
            OS_EXIT_CRITICAL();
            return (OS_ERR_EVENT_TYPE);
        }
    #endif
    pdata->OSMutexPIP = (INT8U)(pevent->OSEventCnt >> 8);
    pdata->OSOwnerPrio = (INT8U)(pevent->OSEventCnt & 0xFF);
    if (pdata->OSOwnerPrio == 0xFF) {
        pdata->OSValue = 1;
    } else {
        pdata->OSValue = 0;
    }
    pdata->OSEventGrp = pevent->OSEventGrp;
    psrc = &pevent->OSEventTbl[0];
    pdest = &pdata->OSEventTbl[0];
    #if OS_EVENT_TBL_SIZE > 0
        *pdest++ = *psrc++;
    #endif
    #if OS_EVENT_TBL_SIZE > 1
        *pdest++ = *psrc++;
    #endif
    #if OS_EVENT_TBL_SIZE > 2
        *pdest++ = *psrc++;
    #endif
    #if OS_EVENT_TBL_SIZE > 3
        *pdest++ = *psrc++;
    #endif
    #if OS_EVENT_TBL_SIZE > 4
        *pdest++ = *psrc++;
    #endif
    #if OS_EVENT_TBL_SIZE > 5
        *pdest++ = *psrc++;
    #endif
    #if OS_EVENT_TBL_SIZE > 6
        *pdest++ = *psrc++;
    #endif
    #if OS_EVENT_TBL_SIZE > 7
        *pdest = *psrc;
    #endif
}
```

```
#endif
OS_EXIT_CRITICAL();
return (OS_NO_ERR);
}
```

Listing - Listing 8.7, Obtaining the status of a mutex.

- (1) As with all mutex calls, `OSMutexQuery()` determines whether the call is made from an ISR.
- (2) & (3) If the configuration constant `OS_ARG_CHK_EN` is set to 1, `OSMutexQuery()` checks that the 'handle' pevent is not a NULL pointer and that the ECB being pointed to has been created by `OSMutexCreate()`. `OSMutexQuery()` then loads the `OS_MUTEX_DATA` structure with the appropriate fields.
- (4) First, we extract the Priority Inheritance Priority (PIP) from the upper 8 bits of the `.OSEventCnt` field of the mutex.
- (5) Next, we obtain the mutex value from the lower 8 bits of the `.OSEventCnt` field of the mutex. If the mutex is available (i.e., lower 8 bits set to 0xFF) then the mutex value is assumed to be 1.
- (6) Otherwise, the mutex value is 0 (i.e., unavailable because it's owned by a task).
- (7) Finally, the mutex wait list is copied into the appropriate fields in `OS_MUTEX_DATA`. For performance reasons, I decided to use inline code instead of using a for loop.

`OSMutexQuery()` is passed two arguments: pevent contains a pointer to the mutex which is returned by `OSMutexCreate()` when the mutex is created and, pdata which is a pointer to a data structure (`OS_MUTEX_DATA`, see `uCOS_II.H`) that will hold information about the mutex. Your application will thus need to allocate a variable of type `OS_MUTEX_DATA` that will be used to receive the information about the desired mutex. I decided to use a new data structure because the caller should only be concerned with mutex specific data as opposed to the more generic `OS_EVENT` data structure. `OS_MUTEX_DATA` contains the mutex PIP (Priority Inheritance Priority) (`.OSMutexPIP`), the priority of the task owning the mutex (`.OSMutexPrio`) and the value of the

mutex (`.OSMutexValue`) which is set to 1 when the mutex is available and 0 if it's not. Note that `.OSMutexPrio` contains 0xFF if no task owns the mutex. Finally, `OS_MUTEX_DATA` contains the list of tasks waiting on the mutex (`.OSEventTbl[]` and `.OSEventGrp`).

Event Flag Management

Event Flag Configuration

µC/OS-II event flags consist of two elements: a series of bits (8, 16 or 32) used to hold the current state of the events in the group, and a list of tasks waiting for a combination of these bits to either be set (1) or cleared (0). µC/OS-II provides six services to access semaphores: OSFlagAccept(), OSFlagCreate(), OSFlagDel(), OSFlagPend(), OSFlagPost() and OSFlagQuery().

To enable µC/OS-II event flags services, you must set the configuration constants in OS_CFG.H. Specifically, table 9.1 shows which services are compiled based on the value of configuration constants found in OS_CFG.H. You should note that NONE of the event flag services are enabled when OS_FLAG_EN is set to 0. To enable the feature (i.e. service), simply set the configuration constant to 1. You will notice that OSFlagCreate(), OSFlagPend() and OSFlagPost() cannot be individually disabled like the other services because they are always needed when you enable µC/OS-II event flag management.

µC/OS-II Event Flag Service	Enabled when set to 1 in OS_CFG.H
OSFlagAccept()	OS_FLAG_ACCEPT_EN
OSFlagCreate()	
OSFlagDel()	OS_FLAG_DEL_EN
OSFlagPend()	
OSFlagPost()	
OSFlagQuery()	OS_FLAG_QUERY_EN

Table - Table 9.1 Event Flag configuration constants in OS_CFG.H

Figure 9.1 shows a flow diagram to illustrate the relationship between tasks, ISRs, and a event flags. Note that the symbology used to represent an event flag group is a series of 8 bits even though the event flag group can contain 8, 16 or 32 bits (see OS_FLAGS in OS_CFG.H). The hourglass represents a timeout that can be specified with the OSFlagPend() call.

As you can see from Figure 9.1, a task or an ISR can call OSFlagAccept(), OSFlagPost() or OSFlagQuery(). However, only tasks are allowed to call OSFlagCreate(), OSFlagDel() or

OSFlagPend().

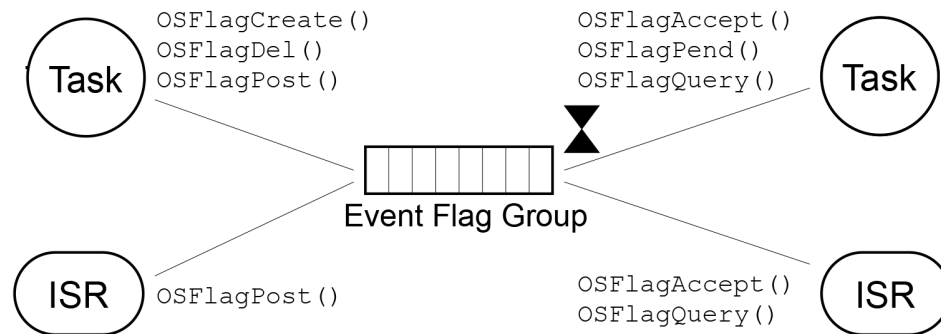


Figure - Figure 9.1, µC/OS-II Event Flag services

Event Flag Internals

A µC/OS-II's event flag group consist of three elements as shown in the OS_FLAG_GRP structure below.

```
typedef struct {
    INT8U    OSFlagType;      (1)
    void     *OSFlagWaitList; (2)
    OS_FLAGS OSFlagFlags;    (3)
} OS_FLAG_GRP;
```

Listing - Listing 9.1, Event Flag Group data structure.

- (1) OSFlagType is a variable which is used to make sure that you are pointing to an event flag group. This field is the first field of the structure because it allows µC/OS-II services to 'validate' the type of structure being pointed to. For example, if you were to pass a pointer to an event flag group to OSSemPend(), µC/OS-II would return an error code indicating that you are not passing the proper 'object' to the semaphore pend call. You should note that an ECB (Event Control Block) also has its first byte containing the type of OS object (i.e. semaphore, mutex, message mailbox or message queue).
- (2) OSFlagWaitList contains a list of tasks waiting for events.
- (3) OSFlagFlags is a series of flags (i.e. bits) that holds the current status of events. The number of bits used is decided at compile time and can either be 8, 16 or 32 depending on the data type you assign to OS_FLAGS in OS_CFG.H.

You should note that the wait list for event flags is different than the other wait lists in µC/OS-II. With event flags, the wait list is accomplished through a doubly linked list as shown in figure 9.2. Three data structures are involved. OS_FLAG_GRP (mentioned above), OS_TCB which is the task control block and OS_FLAG_NODE which is used to keep track of which bits the task is waiting for and what type of wait (AND or OR). As you can see, there are a lot of pointers involved.

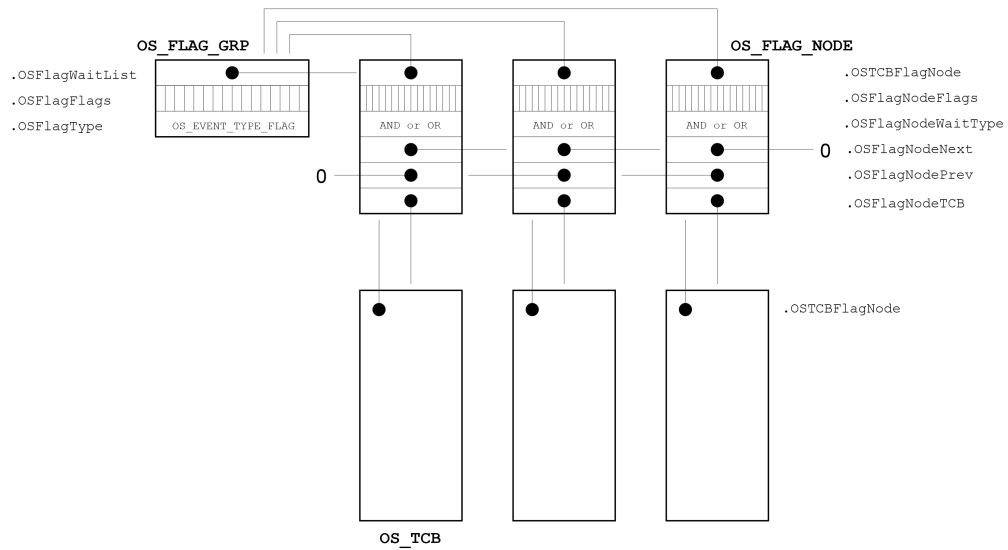


Figure - Figure 9.2, Relationship between Event Flag Group, Event Flag Nodes and TCBs

An OS_FLAG_NODE is created when a task desires to wait on bits of an event flag group and the node is 'destroyed' when the event(s) occur. In other words, a node is created by OSFlagPend() as we will see shortly. Before we discuss this, let's look at the OS_FLAG_NODE data structure.

```
typedef struct {
    void *OSFlagNodeNext;           (1)
    void *OSFlagNodePrev;
    void *OSFlagNodeTCB;           (2)
    void *OSFlagNodeFlagGrp;       (3)
    OS_FLAGS OSFlagNodeFlags;       (4)
    INT8U OSFlagNodeWaitType;       (5)
} OS_FLAG_NODE;
```

Listing - Listing 9.2, Event Flag Group node data structure.

- (1) The OSFlagNodeNext and OSFlagNodePrev are used to maintain a doubly linked list of

OS_FLAG_NODES. The doubly linked list allows us to easily insert and especially remove nodes from the wait list.

- (2) OSFlagNodeTCB is used to point to the TCB of the task waiting on flags belonging to the event flag group. In other words, this pointer allows us to know which tasks is waiting for the specified flags.
- (3) OSFlagNodeFlagGrp allows a link back to the event flag group. This pointer is used when removing the node from the doubly linked list and is needed by OSTaskDel() when the pending task needs to be deleted.
- (4) The OSFlagNodeFlags contains the bit-pattern of the flags that the task is waiting for. For example, your task might have performed an OSFlagPend() and specified that the task wants to wait for bits 0, 4, 6 and 7 (bit 0 is the rightmost bit). In this case, OSFlagNodeFlags would contain 0xD1. Depending on the size of the data type OS_FLAGS, OSFlagNodeFlags is either 8, 16 or 32 bits. OS_FLAGS is specified in your application configuration file (i.e., OS_CFG.H). Because µC/OS-II and the ports are provided in source form, you can easily change the number of bits in an event flag group to satisfy your requirements for a specific application or product. The reason you would limit the number of bits to 8 is to reduce both RAM and ROM for your application. However, for maximum portability of your applications, you should set OS_FLAGS to an INT32U data type.
- (5) The last member of the OS_FLAG_NODE data structure is OSFlagNodeWaitType which determines whether the task is waiting for ALL (AND wait) the bits in the event flag group that matches OSFlagNodeFlags or, ANY (OR wait) of the bits in the event flag group that matches OSFlagNodeFlags. OSFlagNodeWaitType can be set to:

```
OS_FLAG_WAIT_CLR_ALL
OS_FLAG_WAIT_CLR_AND
OS_FLAG_WAIT_CLR_ANY
OS_FLAG_WAIT_CLR_OR
OS_FLAG_WAIT_SET_ALL
OS_FLAG_WAIT_SET_AND
OS_FLAG_WAIT_SET_ANY
OS_FLAG_WAIT_SET_OR
```

You should note that AND and ALL means the same thing and either one can be used. I prefer to use OS_FLAG_WAIT_???_ALL because it's more obvious but you are certainly welcomed to use OS_FLAG_WAIT_???_AND. Similarly, OR or ANY means the same thing and either one can be

used. Again, I prefer to use `OS_FLAG_WAIT_???_ANY` because it's more obvious but again, you can use `OS_FLAG_WAIT_???_OR`. The other thing to notice is that you can wait for either bits to be SET or CLEARED.

Creating an Event Flag Group, `OSFlagCreate()`

The code to create an event flag group is shown in listing 9.3.

```
OS_FLAG_GRP *OSFlagCreate (OS_FLAGS flags, INT8U *err)
{
    #if OS_CRITICAL_METHOD == 3
        OS_CPU_SR    cpu_sr;
    #endif
    OS_FLAG_GRP *pgrp;

    if (OSIntNesting > 0) {                (1)
        *err = OS_ERR_CREATE_ISR;
        return ((OS_FLAG_GRP *)0);
    }
    OS_ENTER_CRITICAL();
    pgrp = OSFlagFreeList;                 (2)
    if (pgrp != (OS_FLAG_GRP *)0) {       (3)
                                        (4)
        OSFlagFreeList = (OS_FLAG_GRP *)OSFlagFreeList->OSFlagWaitList;
        pgrp->OSFlagType = OS_EVENT_TYPE_FLAG; (5)
        pgrp->OSFlagFlags = flags;          (6)
        pgrp->OSFlagWaitList = (void *)0;   (7)
        OS_EXIT_CRITICAL();
        *err = OS_NO_ERR;
    } else {
        OS_EXIT_CRITICAL();
        *err = OS_FLAG_GRP_DEPLETED;
    }
    return (pgrp);                         (8)
}
```

Listing - Listing 9.3, Creating an Event Flag Group.

- (1) `OSFlagCreate()` starts by making sure it's not called from an ISR because that's not allowed.
- (2) `OSFlagCreate()` then attempts to get a free Event Flag Group (i.e., an `OS_FLAG_GRP`) from the free list.
- (3) A non-NULL pointer indicates that an event flag group is available.
- (4) Once a group is allocated, the free list pointer is adjusted. Note that the number of Event

Flag Groups that you can create is determined by the #define constant OS_MAX_FLAGS which is defined in OS_CFG.H in your application.

- (5) OSFlagCreate() then fills in the fields in the event flag group. OS_EVENT_TYPE_FLAG indicates that this control block is an event flag group. Because this is the first field in the data structure, it's at offset zero. In µC/OS-II, the first byte of an event flag group or an event control block used for semaphores, mailboxes, queues and mutexes indicates the type of kernel object. This allows us to check that we are pointing to the proper object.
- (6) OSFlagCreate() then stores the initial value of the event flags into the event flag group. Typically, you would initialize the flags to all 0s but, if you are checking for CLEARED bits then, you could initialize the flags to all 1s.
- (7) Because we are creating the group, there are no tasks waiting on the group and thus, the wait list pointer is initialized to NULL.
- (8) The pointer to the created event flag group is returned. If there were no more groups available, OSFlagCreate() would return a NULL pointer.

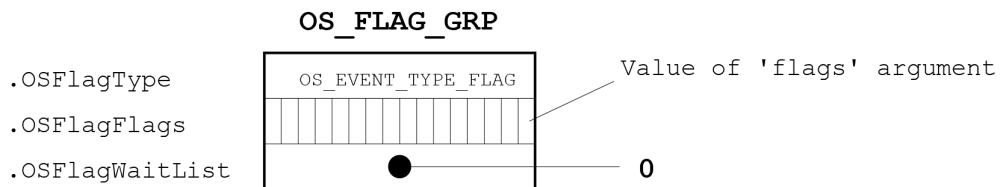


Figure - Figure 9.3 Event Flag group just before OSFlagCreate() returns

Deleting an Event Flag Group, OSFlagDel()

The code to delete an event flag group is shown in listing 9.4.

This is a function you should use with caution because multiple tasks could attempt to access a deleted event flag group. You should always use this function with great care. Generally speaking, before you would delete an event flag group, you would first delete all the tasks that access the event flag group.

```

OS_Flag_GRP *OSFlagDel (OS_Flag_GRP *pgrp, INT8U opt, INT8U *err)
{
    #if OS_CRITICAL_METHOD == 3
        OS_CPU_SR    cpu_sr;
    #endif
    BOOLEAN      tasks_waiting;
    OS_Flag_NODE *pnode;

    if (OSIntNesting > 0) {
        *err = OS_ERR_DEL_ISR;
        return (pgrp);
    }
    #if OS_ARG_CHK_EN > 0
    if (pgrp == (OS_Flag_GRP *)0) {
        *err = OS_FLAG_INVALID_PGRP;
        return (pgrp);
    }
    if (pgrp->OSFlagType != OS_EVENT_TYPE_FLAG) {
        *err = OS_ERR_EVENT_TYPE;
        return (pgrp);
    }
    #endif
    OS_ENTER_CRITICAL();
    if (pgrp->OSFlagWaitList != (void *)0) {
        tasks_waiting = TRUE;
    } else {
        tasks_waiting = FALSE;
    }
    switch (opt) {
        case OS_DEL_NO_PEND:
            if (tasks_waiting == FALSE) {
                pgrp->OSFlagType = OS_EVENT_TYPE_UNUSED;
                pgrp->OSFlagWaitList = (void *)OSFlagFreeList;
                OSFlagFreeList = pgrp;
                OS_EXIT_CRITICAL();
                *err = OS_NO_ERR;
                return ((OS_Flag_GRP *)0);
            } else {
                OS_EXIT_CRITICAL();
                *err = OS_ERR_TASK_WAITING;
                return (pgrp);
            }
        case OS_DEL_ALWAYS:
            pnode = pgrp->OSFlagWaitList;
            while (pnode != (OS_Flag_NODE *)0) {
                OS_FlagTaskRdy(pnode, (OS_FLAGS)0);
                pnode = pnode->OSFlagNodeNext;
            }
            pgrp->OSFlagType = OS_EVENT_TYPE_UNUSED;
            pgrp->OSFlagWaitList = (void *)OSFlagFreeList;
            OSFlagFreeList = pgrp;
            OS_EXIT_CRITICAL();
            if (tasks_waiting == TRUE) {
                OS_Sched();
            }
            *err = OS_NO_ERR;
            return ((OS_Flag_GRP *)0);
        default:
            OS_EXIT_CRITICAL();
            *err = OS_ERR_INVALID_OPT;
            return (pgrp);
    }
}

```

Listing - Listing 9.4, Deleting an Event Flag Group.

- (1) `OSFlagDel()` starts by making sure that this function is not called from an ISR because that's not allowed.
- (2) & (3) We then validate the arguments passed to `OSFlagDel()`. First, we make sure that `pgrp` is not a NULL pointer and `pgrp` points to point to an event flag group. Note that this code is conditionally compiled and thus, if `OS_ARG_CHK_EN` is set to 0 then this code is NOT compiled. This is done to allow you to reduce the amount of code space needed by this module.
- (4) `OSFlagDel()` then determines whether there are any tasks waiting on the event flag group and sets the local BOOLEAN variable `tasks_waiting` accordingly.

Based on the option (i.e. `opt`) passed in the call, `OSFlagDel()` will either delete the event flag group only if no tasks are pending on the event flag group (`opt == OS_DEL_NO_PEND`) or, delete the event flag group even if tasks are waiting (`opt == OS_DEL_ALWAYS`).

- (5) & (6) When `opt` is set to `OS_DEL_NO_PEND` and there is no task waiting on the event flag group, `OSFlagDel()` marks the group as unused and the event flag group is returned to the free list of groups. This will allow another event flag group to be created by reusing this event flag group.
- (7) You will note that `OSFlagDel()` returns a NULL pointer since, at this point, the event flag group should no longer be accessed through the original pointer.
- (8) & (9) When `opt` is set to `OS_DEL_ALWAYS` then all tasks waiting on the event flag group will be readied. Each task will *think* the event(s) that the task was waiting for occurred. We will discuss `OS_FlagTaskRdy()` when we look at the code for `OSFlagPost()`.
- (10) Once all pending tasks are readied, `OSFlagDel()` marks the event flag group as unused and the group is returned to the free list of groups.
- (11) The scheduler is called only if there were tasks waiting on the event flag group.
- (12) You will note that `OSFlagDel()` returns a NULL pointer since, at this point, the event flag

group should no longer be accessed through the original pointer.

Waiting for event(s) of an Event Flag Group, OSFlagPend()

The code to wait for event(s) of an event flag group is shown in listing 9.5.

```

OS_FLAGS OSFlagPend (OS_FLAG_GRP *pgrp, OS_FLAGS flags, INT8U wait_type, INT16U timeout, INT8U *err)
{
    #if OS_CRITICAL_METHOD == 3
        OS_CPU_SR    cpu_sr;
    #endif
    OS_FLAG_NODE    node;
    OS_FLAGS        flags_cur;
    OS_FLAGS        flags_rdy;
    BOOLEAN         consume;

    if (OSIntNesting > 0) {
        *err = OS_ERR_PEND_ISR;
        return ((OS_FLAGS)0);
    }
    #if OS_ARG_CHK_EN > 0
        if (pgrp == (OS_FLAG_GRP *)0) {
            *err = OS_FLAG_INVALID_PGRP;
            return ((OS_FLAGS)0);
        }
        if (pgrp->OSFlagType != OS_EVENT_TYPE_FLAG) {
            *err = OS_ERR_EVENT_TYPE;
            return ((OS_FLAGS)0);
        }
    #endif
    if (wait_type & OS_FLAG_CONSUME) {
        wait_type &= ~OS_FLAG_CONSUME;
        consume = TRUE;
    } else {
        consume = FALSE;
    }
    OS_ENTER_CRITICAL();
    switch (wait_type) {
        case OS_FLAG_WAIT_SET_ALL:
            flags_rdy = pgrp->OSFlagFlags & flags;
            if (flags_rdy == flags) {
                if (consume == TRUE) {
                    pgrp->OSFlagFlags &= ~flags_rdy;
                }
                flags_cur = pgrp->OSFlagFlags;
                OS_EXIT_CRITICAL();
                *err = OS_NO_ERR;
                return (flags_cur);
            } else {
                OS_FlagBlock(pgrp, &node, flags, wait_type, timeout);
                OS_EXIT_CRITICAL();
            }
            break;

        case OS_FLAG_WAIT_SET_ANY:
            flags_rdy = pgrp->OSFlagFlags & flags;
            if (flags_rdy != (OS_FLAGS)0) {
                if (consume == TRUE) {
                    pgrp->OSFlagFlags &= ~flags_rdy;
                }
                flags_cur = pgrp->OSFlagFlags;
                OS_EXIT_CRITICAL();
                *err = OS_NO_ERR;
                return (flags_cur);
            } else {
                OS_FlagBlock(pgrp, &node, flags, wait_type, timeout);
                OS_EXIT_CRITICAL();
            }
            break;

    #if OS_FLAG_WAIT_CLR_EN > 0
        case OS_FLAG_WAIT_CLR_ALL:
    
```

```

        flags_rdy = ~pgrp->OSFlagFlags & flags;
        if (flags_rdy == flags) {
            if (consume == TRUE) {
                pgrp->OSFlagFlags |= flags_rdy;
            }
            flags_cur = pgrp->OSFlagFlags;
            OS_EXIT_CRITICAL();
            *err = OS_NO_ERR;
            return (flags_cur);
        } else {
            OS_FlagBlock(pgrp, &node, flags, wait_type, timeout);
            OS_EXIT_CRITICAL();
        }
        break;

    case OS_FLAG_WAIT_CLR_ANY:
        flags_rdy = ~pgrp->OSFlagFlags & flags;
        if (flags_rdy != (OS_FLAGS)0) {
            if (consume == TRUE) {
                pgrp->OSFlagFlags |= flags_rdy;
            }
            flags_cur = pgrp->OSFlagFlags;
            OS_EXIT_CRITICAL();
            *err = OS_NO_ERR;
            return (flags_cur);
        } else {
            OS_FlagBlock(pgrp, &node, flags, wait_type, timeout);
            OS_EXIT_CRITICAL();
        }
        break;
#endif

    default:
        OS_EXIT_CRITICAL();
        flags_cur = (OS_FLAGS)0;
        *err = OS_FLAG_ERR_WAIT_TYPE;
        return (flags_cur);
}
OS_Sched(); (20)
OS_ENTER_CRITICAL();
if (OSTCBCur->OSTCBStat & OS_STAT_FLAG) { (21)
    OS_FlagUnlink(&node); (22)
    OSTCBCur->OSTCBStat = OS_STAT_RDY;
    OS_EXIT_CRITICAL();
    flags_cur = (OS_FLAGS)0;
    *err = OS_TIMEOUT;
} else {
    if (consume == TRUE) { (23)
        switch (wait_type) {
            case OS_FLAG_WAIT_SET_ALL:
            case OS_FLAG_WAIT_SET_ANY: (24)
                pgrp->OSFlagFlags &= ~OSTCBCur->OSTCBFlagsRdy;
                break;

            case OS_FLAG_WAIT_CLR_ALL:
            case OS_FLAG_WAIT_CLR_ANY:
                pgrp->OSFlagFlags |= OSTCBCur->OSTCBFlagsRdy;
                break;
        }
    }
    flags_cur = pgrp->OSFlagFlags; (25)
    OS_EXIT_CRITICAL();
    *err = OS_NO_ERR;

```

```
    }  
    return (flags_cur);  
}
```

Listing - Listing 9.5, Waiting for event(s) of an event flag group.

- (1) Like all µC/OS-II pend calls, OSFlagPend() cannot be called from an ISR and thus, OSFlagPend() checks for this condition first.
- (2) & (3) Assuming that the configuration constant OS_ARG_CHK_EN is set to 1, OSFlagPend() makes sure that the 'handle' pgrp is not a NULL pointer and that pgrp points to an event flag group that should have been created by OSFlagCreate() .

OSFlagPend() allows you to specify whether you will SET or CLEAR flags once they satisfy the condition you are waiting for. This is accomplished by ADDing (or ORing) OS_FLAG_CONSUME to the wait_type argument during the call to OSFlagPend(). For example, if you want to wait for BIT0 to be SET in the event flag group and if BIT0 is in fact SET, it will be CLEARED by OSFlagPend() if you ADD OS_FLAG_CONSUME to the type of wait desired as shown below:

```
OSFlagPend(OSFlagMyGrp,  
           (OS_FLAGS)0x01,  
           FLAG_WAIT_SET_ANY + OS_FLAG_CONSUME,  
           0,  
           &err);
```

- (4) Because the 'consumption' of the flag(s) is done later in the code, OSFlagPend() saves the 'consume' option in the BOOLEAN variable called consume.
- (5) OSFlagPend() then executes code based on the wait type specified in the function called. There are four choices:
 1. wait for ALL bits specified to be SET in the event flag group
 2. wait for ANY bit specified to be SET in the event flag group
 3. wait for ALL bits specified to be CLEARED in the event flag group
 4. wait for ANY bit specified to be CLEARED in the event flag group

The last two choices are identical to the first two choices except that `OSFlagPend()` 'looks' for the bits specified to be CLEARED (i.e. 0) instead for them being SET (i.e. 1). For this reason, I will only discuss the first two choices. In fact, in order to conserve ROM, you may not need to look for bits to be cleared and thus, you can 'compile-out' all the corresponding code out by setting `OS_FLAG_WAIT_CLR_EN` to 0 in `OS_CFG.H`.

Wait for ALL of the specified bits to be SET:

- (6) When `wait_type` is set to either `OS_FLAG_WAIT_SET_ALL` or `OS_FLAG_WAIT_SET_AND`, `OSFlagPend()` will 'extract' the desired bits in the event flag group which are specified in the flags argument.
- (7) If all the bits extracted matches the bits that you specified in the flags argument then, the event flags that the task wants are all set and thus, the PEND call would return to the caller.
- (8) & (9) Before we return, we need to determine whether we need to 'consume' the flags and if so, we will CLEAR all the flags that satisfied the condition.
- (10) & (11) The new value of the event flag group is obtained and returned to the caller.
- (12) If ALL the desired bits in the event flag group were not SET then the calling task will block (i.e. suspend) until ALL the bits are either SET or a timeout occurs. Instead of repeating code for all four types of wait, I created a function (`OS_FlagBlock()`) to handle the details of blocking the calling task (described later).

Wait for ANY of the specified bits to be SET:

- (13) When `wait_type` is set to either `OS_FLAG_WAIT_SET_ANY` or `OS_FLAG_WAIT_SET_OR`, `OSFlagPend()` will 'extract' the desired bits in the event flag group which are specified in the flags argument.
- (14) If any of the bits extracted matches the bits that you specified in the flags argument then the PEND call will return to the caller.
- (15) & (16) Before we return, we need to determine whether we need to 'consume' the flag(s) and if so, we need to CLEAR all the flag(s) that satisfied the condition.

- (17) & (18) The new value of the event flag group is obtained and returned to the caller.
- (19) If NONE of the desired bits in the event flag group were not SET then the calling task will block (i.e. suspend) until ANY of the bits is either SET or a timeout occurs.

As mentioned above, if the desired bits and conditions of a PEND call are not satisfied the calling task is suspended until either the event or a timeout occurs. The task is suspended by OS_FlagBlock() (see Listing 9.6) which adds the calling task to the wait list of the event flag group. The process is shown in Figure 9.4.

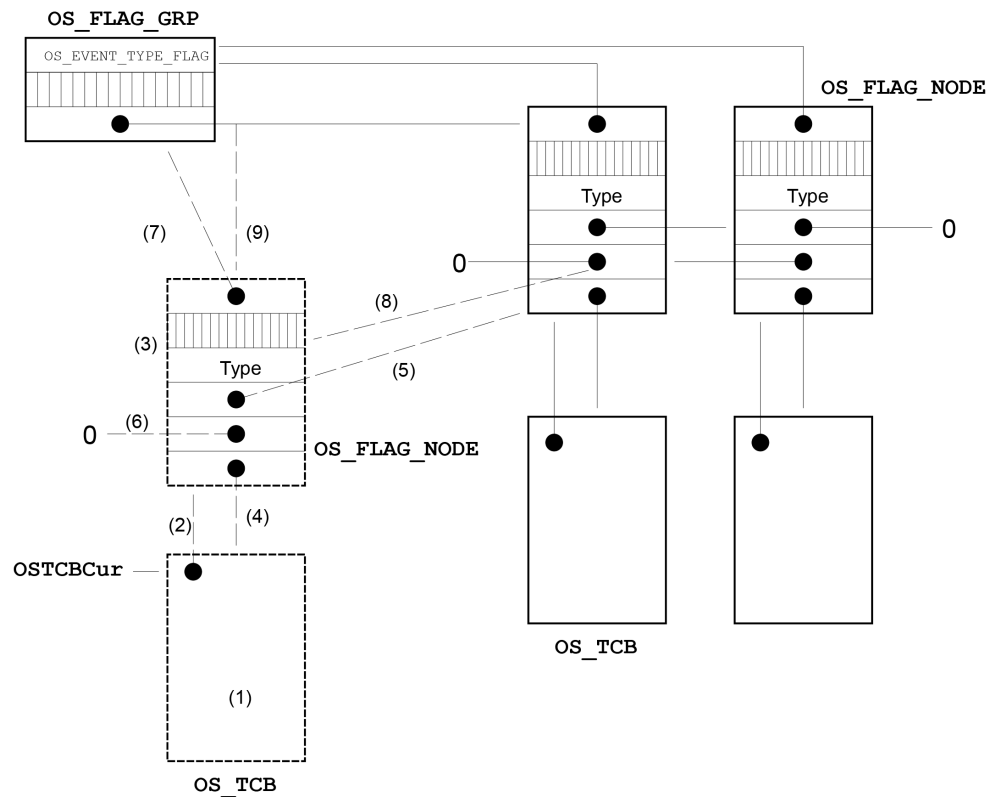


Figure - Figure 9.4, Adding the current task to the wait list of the Event Flag Group

```

static void OS_FlagBlock (OS_FLAG_GRP *pgrp, OS_FLAG_NODE *pnode, OS_FLAGS flags, INT8U wait_type,
INT16U timeout)
{
    OS_FLAG_NODE *pnode_next;

    OSTCBCur->OSTCBStat    |= OS_STAT_FLAG;          (1)
    OSTCBCur->OSTCBDly      = timeout;
    #if OS_TASK_DEL_EN > 0
    OSTCBCur->OSTCBFlagNode = pnode;                (2)
    #endif
    pnode->OSFlagNodeFlags = flags;                 (3)
    pnode->OSFlagNodeWaitType = wait_type;
    pnode->OSFlagNodeTCB    = (void *)OSTCBCur;     (4)
    pnode->OSFlagNodeNext   = pgrp->OSFlagWaitList; (5)
    pnode->OSFlagNodePrev   = (void *)0;           (6)
    pnode->OSFlagNodeFlagGrp = (void *)pgrp;       (7)
    pnode_next              = pgrp->OSFlagWaitList;
    if (pnode_next != (void *)0) {
        pnode_next->OSFlagNodePrev = pnode;        (8)
    }
    pgrp->OSFlagWaitList = (void *)pnode;          (9)
    (10)
    if ((OSRdyTbl[OSTCBCur->OSTCBY] &= ~OSTCBCur->OSTCBBitX) == 0) {
        OSRdyGrp &= ~OSTCBCur->OSTCBBitY;
    }
}

```

Listing - Listing 9.6, Adding a task to the event flag group wait list.

The notes below apply both and simultaneously to Listing 9.6 and Figure 9.4. When reading each numbered note, refer to both the listing and the figure.

- (1) OS_FlagBlock() starts by setting the appropriate fields in the task control block. You should note that an OS_FLAG_NODE is allocated on the stack of the calling task (see OSFlagPend() , L9.5). This means that we don't need to keep a separate 'free list' of OS_FLAG_NODE since these data structures can simply be allocated on the stack of the calling task. That being said, the calling task must have sufficient stack space to allocate this structure on its stack.
- (2) We then link the OS_FLAG_NODE to the TCB, but only if OS_TASK_DEL_EN is set to 1. This link allows OSTaskDel() to remove the task being suspended from the wait list should another task decide to delete this task.
- (3) Next, OS_FlagBlock() saves the flags that the task is waiting for as well as the wait type in the OS_FLAG_NODE structure.
- (4) We then link the TCB to the OS_FLAG_NODE .
- (5) The OS_FLAG_NODE is then linked to the other OS_FLAG_NODES in the wait list.

- (6) You should note that the `OS_FLAG_NODE` is simply inserted at the beginning of the doubly-linked list for simplicity sake.
- (7) We then link the event flag group to the `OS_FLAG_NODE` . This is again done to allow us to delete the task that is being added to the wait list of the event flag group.
- (8) `OS_FlagBlock()` then links the previous 'first' node in the wait list to the new `OS_FLAG_NODE` .
- (9) & (10) Finally, the pointer of the beginning of the wait list is updated to point to the new `OS_FLAG_NODE` and, the calling task is made NOT ready-to-run.

You should note that interrupts are disabled during the process of blocking the calling task.

- (20) When `OS_FlagBlock()` returns, the scheduler is called because, of course, the calling task is no longer able to run since the event(s) it was looking for did not occur.
- (21) When μC/OS-II resumes the calling task, `OSFlagPend()` checks HOW the task was readied. If the status field in the TCB still indicates that the task is still waiting for event flags to be either set or cleared then, the task MUST have been readied because of a timeout.
- (22) In this case, the `OS_FLAG_NODE` is removed from the wait list by calling `OS_FlagUnlink()` and, an error code is returned to the caller indicating the outcome of the call. The code for `OS_FlagUnlink()` is shown in Listing 9.7 and should be quite obvious since we are simply removing a node from a doubly linked list. The code provided on the CD-ROM contains comments so you can easily follow what's going on.
- (23) & (24) If the calling task is NOT resumed because of a timeout then, it MUST have been resumed because the event flags that it was waiting for have been either set or cleared. In this case, we determine whether the calling task wanted to consume the event flags. If this is the case, the appropriate flags are either set or cleared based on the wait type.
- (25) Finally, `OSFlagPend()` obtains the current value of the event flags in the group in order to return this information to the caller.

Setting or Clearing event(s) in an Event Flag Group, OSFlagPost()

The code to either setting or clearing bits in an event flag group is done by calling `OSFlagPost()` and the code for this function is shown in listing 9.7.

```

OS_FLAGS OSFlagPost (OS_FLAG_GRP *pgrp, OS_FLAGS flags, INT8U opt, INT8U *err)
{
    #if OS_CRITICAL_METHOD == 3
        OS_CPU_SR    cpu_sr;
    #endif
    OS_FLAG_NODE *pnode;
    BOOLEAN      sched;
    OS_FLAGS     flags_cur;
    OS_FLAGS     flags_rdy;

    #if OS_ARG_CHK_EN > 0
        if (pgrp == (OS_FLAG_GRP *)0) {                (1)
            *err = OS_FLAG_INVALID_PGRP;
            return ((OS_FLAGS)0);
        }
        if (pgrp->OSFlagType != OS_EVENT_TYPE_FLAG) {  (2)
            *err = OS_ERR_EVENT_TYPE;
            return ((OS_FLAGS)0);
        }
    #endif
    OS_ENTER_CRITICAL();
    switch (opt) {                                     (3)
        case OS_FLAG_CLR:
            pgrp->OSFlagFlags &= ~flags;              (4)
            break;

        case OS_FLAG_SET:
            pgrp->OSFlagFlags |=  flags;              (5)
            break;

        default:
            OS_EXIT_CRITICAL();
            *err = OS_FLAG_INVALID_OPT;
            return ((OS_FLAGS)0);
    }
    sched = FALSE;                                    (6)
    pnode = pgrp->OSFlagWaitList;
    while (pnode != (OS_FLAG_NODE *)0) {              (7)
        switch (pnode->OSFlagNodeWaitType) {
            case OS_FLAG_WAIT_SET_ALL:                (8)
                flags_rdy = pgrp->OSFlagFlags & pnode->OSFlagNodeFlags;
                if (flags_rdy == pnode->OSFlagNodeFlags) { (9)
                    if (OS_FlagTaskRdy(pnode, flags_rdy) == TRUE) { (10)
                        sched = TRUE;                  (11)
                    }
                }
            }
        }
        break;

        case OS_FLAG_WAIT_SET_ANY:
            flags_rdy = pgrp->OSFlagFlags & pnode->OSFlagNodeFlags;
            if (flags_rdy != (OS_FLAGS)0) {
                if (OS_FlagTaskRdy(pnode, flags_rdy) == TRUE) {
                    sched = TRUE;
                }
            }
        }
        break;

    #if OS_FLAG_WAIT_CLR_EN > 0
        case OS_FLAG_WAIT_CLR_ALL:
            flags_rdy = ~pgrp->OSFlagFlags & pnode->OSFlagNodeFlags;
            if (flags_rdy == pnode->OSFlagNodeFlags) {
                if (OS_FlagTaskRdy(pnode, flags_rdy) == TRUE) {
                    sched = TRUE;
                }
            }
        }
    }
    break;
}

```

```
        case OS_FLAG_WAIT_CLR_ANY:
            flags_rdy = ~pgrp->OSFlagFlags & pnode->OSFlagNodeFlags;
            if (flags_rdy != (OS_FLAGS)0) {
                if (OS_FlagTaskRdy(pnode, flags_rdy) == TRUE) {
                    sched = TRUE;
                }
            }
            break;
#endif
    }
    pnode = pnode->OSFlagNodeNext;           (12)
}
OS_EXIT_CRITICAL();
if (sched == TRUE) {                         (13)
    OS_Sched();                             (14)
}
OS_ENTER_CRITICAL();
flags_cur = pgrp->OSFlagFlags;             (15)
OS_EXIT_CRITICAL();
*err      = OS_NO_ERR;
return (flags_cur);                         (16)
}
```

Listing - Listing 9.7, Setting or Clearing bits (i.e., events) in an Event Flag Group.

- (1) & (2) Assuming that the configuration constant `OS_ARG_CHK_EN` is set to 1, `OSFlagPost()` makes sure that the 'handle' `pgrp` is not a NULL pointer and that `pgrp` points to an event flag group that should have been created by `OSFlagCreate()` .
- (3) & (4) & (5) Depending on the option you specified in the `opt` argument of `OSFlagPost()` , the flags specified in the `flags` argument will either be SET (when `opt == OS_FLAG_SET`) or CLEARED (when `opt == OS_FLAG_CLR`). If `opt` is not one of the two choices, the call is aborted and an error code is returned to the caller.
- (6) We next start by assuming that POSTing doesn't make a higher priority task ready-to-run and thus, we set the BOOLEAN variable `sched` to FALSE. If this assumption is not verified because we will make a higher-priority-task ready-to-run then `sched` will simply be set to TRUE.
- (7) We then go through the wait list to see if any task is waiting on one or more events.
- (15) & (16) If the wait list is empty, we simply get the current state of the event flag bits and return this information to the caller.
- (8) If there is one or more tasks waiting on the event flag group, we go through the list of `OS_FLAG_NODEs` to see if the new event flag bits now satisfies any of the waiting task

conditions. Each one of the tasks can be waiting for one of four conditions:

1. ALL of the bits specified in the PEND call to be set.
 2. ANY of the bits specified in the PEND call to be set.
 3. ALL of the bits specified in the PEND call to be cleared.
 4. ANY of the bits specified in the PEND call to be cleared.
- (9) & (10) Note that the last two condition can be 'compiled-out' by setting `OS_FLAG_WAIT_CLR_EN` to 0 (see `OS_CFG.H`). You would do this if you didn't need the functionality of waiting for cleared bits and/or you need to reduce the amount of ROM in your product. When a waiting task's condition is satisfied, the waiting task is readied by calling `OS_FlagTaskRdy()` (see Listing 9.9). I will only discuss the first wait condition because the other cases are similar enough.
- (11) Because a task is made ready-to-run, the scheduler will have to be called. However, we will only do this after going through all waiting tasks because, there is no need to call the scheduler every time a task is made ready-to-run.
- (12) We proceed to the next node by following the linked list.

You should note that interrupts are disabled while we are going through the wait list. The implication is that `OSFlagPost()` can potentially disable interrupts for a long period of time, especially if multiple tasks are made ready-to-run. However, execution time is bounded and still deterministic.

- (13) & (14) When we have gone through the whole waiting list, we examine the sched flag to see if we need to run the scheduler and thus possibly perform a context switch to a higher priority task that just received the event flag(s) it was waiting for.
- (15) & (16) `OSFlagPost()` returns the current state of the event flag group.

As previously mentioned, the code in listing 9.8 is executed to make a task ready-to-run.

```
static BOOLEAN OS_FlagTaskRdy (OS_FLAG_NODE *pnode, OS_FLAGS flags_rdy)
{
    OS_TCB *ptcb;
    BOOLEAN sched;

    ptcb = (OS_TCB *)pnode->OSFlagNodeTCB;
    ptcb->OSTCBDly = 0;
    ptcb->OSTCBFlagsRdy = flags_rdy;
    ptcb->OSTCBStat &= ~OS_STAT_FLAG;
    if (ptcb->OSTCBStat == OS_STAT_RDY) {
        OSRdyGrp |= ptcb->OSTCBBitY;           (1)
        OSRdyTbl[ptcb->OSTCBY] |= ptcb->OSTCBBitX;
        sched = TRUE;                           (2)
    } else {
        sched = FALSE;                           (3)
    }
    OS_FlagUnlink(pnode);                       (4)
    return (sched);
}
```

Listing - Listing 9.8, Make a waiting Task Ready-to-Run.

- (1) & (2) & (3) Note that even though this function ‘removes’ the waiting task from the event flag group wait list, the task could still be suspended and may not be ready-to-run. This is why the BOOLEAN variable sched is used and returned to the caller.
- (4) This is a standard procedure in µC/OS-II (see section 6.02, Making a Task Ready) except for the fact that the OS_FLAG_NODE needs to be unlinked from the waiting list of the event flag group as well as the task’s OS_TCB.

The unlinking of the OS_FLAG_NODE is performed by the function OS_FlagUnlink() as shown in listing 9.9. Figure 9.5 shows the four possible locations of an OS_FLAG_NODE which needs to be removed from the event flag wait list. This is a classical doubly linked list removal problem except that there are also other pointers to adjust.

```
void OS_FlagUnlink (OS_FLAG_NODE *pnode)
{
  #if OS_TASK_DEL_EN > 0
    OS_TCB      *ptcb;
  #endif
  OS_FLAG_GRP *pgrp;
  OS_FLAG_NODE *pnode_prev;
  OS_FLAG_NODE *pnode_next;

  pnode_prev = pnode->OSFlagNodePrev;           (1)
  pnode_next = pnode->OSFlagNodeNext;           (2)
  if (pnode_prev == (OS_FLAG_NODE *)0) {       (3)
    pgrp      = pnode->OSFlagNodeFlagGrp;       (4)
    pgrp->OSFlagWaitList = (void *)pnode_next; (5)
    if (pnode_next != (OS_FLAG_NODE *)0) {     (6)
      pnode_next->OSFlagNodePrev = (OS_FLAG_NODE *)0; (7)
    }
  } else {
    pnode_prev->OSFlagNodeNext = pnode_next;    (8)
    if (pnode_next != (OS_FLAG_NODE *)0) {     (9)
      pnode_next->OSFlagNodePrev = pnode_prev; (10)
    }
  }
  #if OS_TASK_DEL_EN > 0
    ptcb      = (OS_TCB *)pnode->OSFlagNodeTCB; (11)
    ptcb->OSTCBFlagNode = (void *)0;           (12)
  #endif
}
```

Listing - Listing 9.9, Unlinking an

- (1) & (2) OS_FlagUnlink() starts off by setting up two local pointers: pnode_next and pnode_prev which point to the next and previous OS_FLAG_NODE in the wait list, respectively.
- (3) & F9.5(A, B) The previous pointer is examined to see if we have the first two cases of figure 9.6 (an OS_FLAG_NODE which is the first node in the wait list).
- (4) & (5) If the OS_FLAG_NODE is the first node, the wait list pointer of the event flag group will need to point to the node immediately after the OS_FLAG_NODE to remove.
- (6) & (7)

F9.5(B) If there is an OS_FLAG_NODE to the right of the node to delete then, that node will now point to where the previous pointer of the node to delete is pointing to which is of course a NULL pointer since the node to remove was the first one.

- (8) & F9.5(C, D) Because the node to delete is not the first node in the wait list, the node to

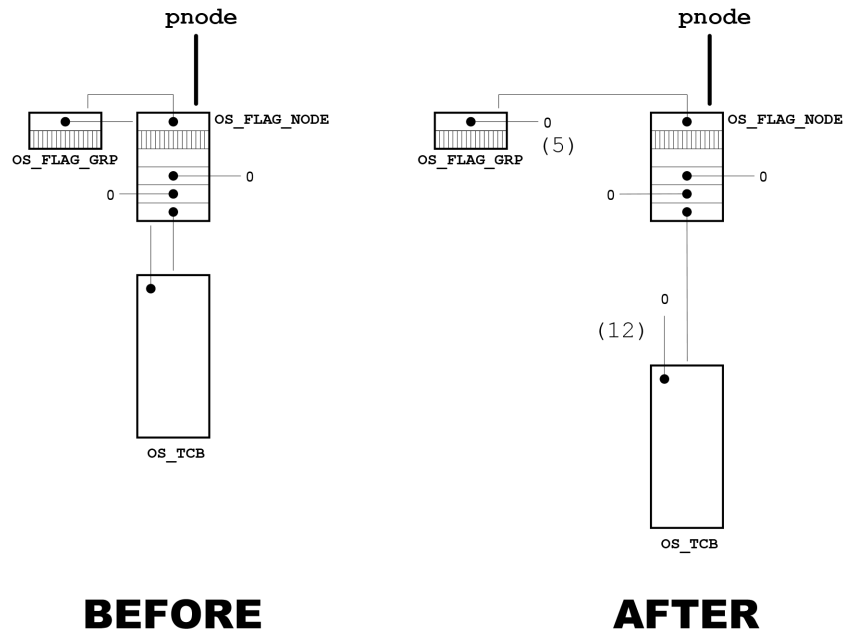


Figure - Figure 9.6, Removing an OS_FLAG_NODE from the wait list, Case A

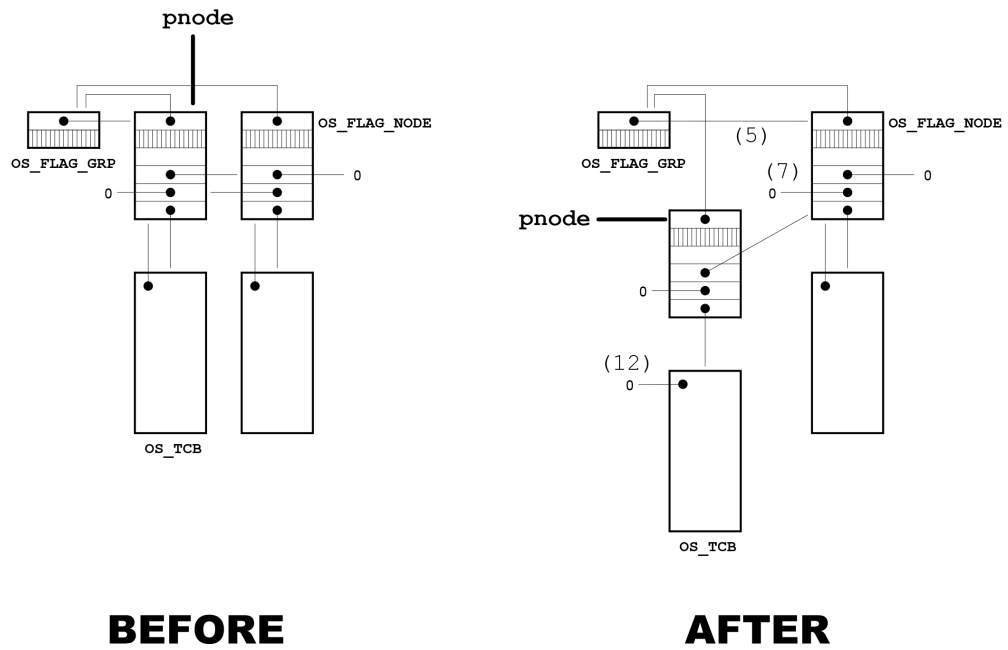


Figure - Figure 9.7, Removing an OS_FLAG_NODE from the wait list, Case B

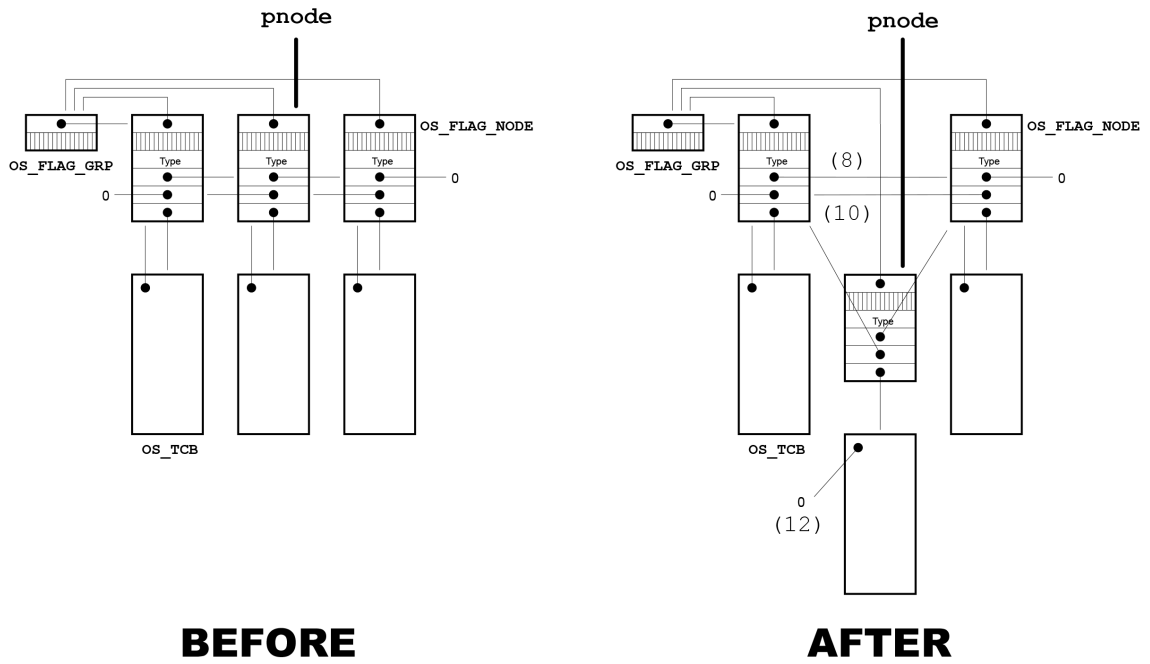


Figure - Figure 9.8, Removing an OS_FLAG_NODE from the wait list, Case C

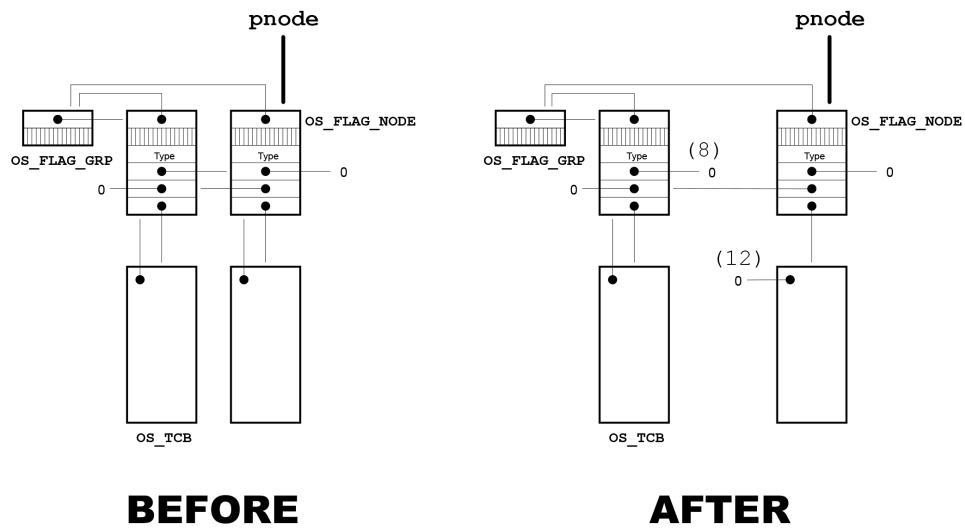


Figure - Figure 9.9, Removing an OS_FLAG_NODE from the wait list, Case D

Looking for event(s) of an Event Flag Group, OSFlagAccept()

The code to look for desired event(s) from an event flag group without waiting is shown in listing 9.10. This function is quite similar to OSFlagPend() except that the caller will not be suspended (i.e. blocked) should the event(s) not be present. The only two things that are different are:

1. OSFlagAccept() can be called from an ISR unlike some of the other calls.
2. If the conditions are NOT met, the call does not block and simply returns an error code that the caller should check.

```

OS_FLAGS OSFlagAccept (OS_FLAG_GRP *pgrp, OS_FLAGS flags, INT8U wait_type, INT8U *err)
{
    #if OS_CRITICAL_METHOD == 3
        OS_CPU_SR    cpu_sr;
    #endif
    OS_FLAGS    flags_cur;
    OS_FLAGS    flags_rdy;
    BOOLEAN    consume;
    #if OS_ARG_CHK_EN > 0
        if (pgrp == (OS_FLAG_GRP *)0) {
            *err = OS_FLAG_INVALID_PGRP;
            return ((OS_FLAGS)0);
        }
        if (pgrp->OSFlagType != OS_EVENT_TYPE_FLAG) {
            *err = OS_ERR_EVENT_TYPE;
            return ((OS_FLAGS)0);
        }
    #endif
    if (wait_type & OS_FLAG_CONSUME) {
        wait_type &= ~OS_FLAG_CONSUME;
        consume    = TRUE;
    } else {
        consume    = FALSE;
    }
    OS_ENTER_CRITICAL();
    switch (wait_type) {
        case OS_FLAG_WAIT_SET_ALL:
            flags_rdy = pgrp->OSFlagFlags & flags;
            if (flags_rdy == flags) {
                if (consume == TRUE) {
                    pgrp->OSFlagFlags &= ~flags_rdy;
                }
            }
            flags_cur = pgrp->OSFlagFlags;
            OS_EXIT_CRITICAL();
            *err    = OS_NO_ERR;
        } else {
            flags_cur = pgrp->OSFlagFlags;
            OS_EXIT_CRITICAL();
            *err    = OS_FLAG_ERR_NOT_RDY;
        }
        break;
        case OS_FLAG_WAIT_SET_ANY:
            flags_rdy = pgrp->OSFlagFlags & flags;
            if (flags_rdy != (OS_FLAGS)0) {
                if (consume == TRUE) {
                    pgrp->OSFlagFlags &= ~flags_rdy;
                }
            }
            flags_cur = pgrp->OSFlagFlags;
            OS_EXIT_CRITICAL();
            *err    = OS_NO_ERR;
        } else {
            flags_cur = pgrp->OSFlagFlags;
            OS_EXIT_CRITICAL();
            *err    = OS_FLAG_ERR_NOT_RDY;
        }
        break;
        #if OS_FLAG_WAIT_CLR_EN > 0
        case OS_FLAG_WAIT_CLR_ALL:
            flags_rdy = ~pgrp->OSFlagFlags & flags;
            if (flags_rdy == flags) {
                if (consume == TRUE) {
                    pgrp->OSFlagFlags |= flags_rdy;
                }
            }
            flags_cur = pgrp->OSFlagFlags;
            OS_EXIT_CRITICAL();
            *err    = OS_NO_ERR;
        } else {

```

```
    flags_cur = pgrp->OSFlagFlags;
    OS_EXIT_CRITICAL();
    *err      = OS_FLAG_ERR_NOT_RDY;
    }
    break;
case OS_FLAG_WAIT_CLR_ANY:
    flags_rdy = ~pgrp->OSFlagFlags & flags;
    if (flags_rdy != (OS_FLAGS)0) {
        if (consume == TRUE) {
            pgrp->OSFlagFlags |= flags_rdy;
        }
        flags_cur = pgrp->OSFlagFlags;
        OS_EXIT_CRITICAL();
        *err      = OS_NO_ERR;
    } else {
        flags_cur = pgrp->OSFlagFlags;
        OS_EXIT_CRITICAL();
        *err      = OS_FLAG_ERR_NOT_RDY;
    }
    break;
#endif
default:
    OS_EXIT_CRITICAL();
    flags_cur = (OS_FLAGS)0;
    *err      = OS_FLAG_ERR_WAIT_TYPE;
    break;
}
return (flags_cur);
}
```

Listing - Listing 9.10, Looking for Event Flags without waiting.

Querying an Event Flag Group, OSFlagQuery()

OSFlagQuery() allows your code to get the current value of the event flag group. The code for this function is shown in listing 9.11.

```
OS_FLAGS OSFlagQuery (OS_FLAG_GRP *pgrp, INT8U *err)
{
    #if OS_CRITICAL_METHOD == 3
        OS_CPU_SR cpu_sr;
    #endif
    OS_FLAGS flags;
    #if OS_ARG_CHK_EN > 0
        if (pgrp == (OS_FLAG_GRP *)0) { (1)
            *err = OS_FLAG_INVALID_PGRP;
            return ((OS_FLAGS)0);
        }
        if (pgrp->OSFlagType != OS_EVENT_TYPE_FLAG) { (2)
            *err = OS_ERR_EVENT_TYPE;
            return ((OS_FLAGS)0);
        }
    #endif
    OS_ENTER_CRITICAL();
    flags = pgrp->OSFlagFlags;      (3)
    OS_EXIT_CRITICAL();
    *err = OS_NO_ERR;
    return (flags);                (4)
}
```

Listing - Listing 9.11, Obtaining the current flags of an event flag group.

- (1) & (2) As with all µC/OS-II calls, OSFlagQuery() performs argument checking if this feature is enabled when OS_ARG_CHK_EN is set to 1 in OS_CFG.H .
- (3) & (4) If there are no errors, OSFlagQuery() obtains the current state of the event flags and returns this to the caller.

OSFlagQuery() is passed two arguments: pgrp contains a pointer to the event flag group which was returned by OSFlagCreate() when the event flag group is created and, err which is a pointer to an error code that will let the caller know whether the call was successful or not.

Message Mailbox Management

Mailbox Configuration

A message mailbox (or simply a mailbox) is a µC/OS-II object that allows a task or an ISR to send a pointer-sized variable to another task. The pointer is typically initialized to point to some application specific data structure containing a “message.” µC/OS-II provides seven services to access mailboxes: `OSMboxCreate()`, `OSMboxDel()`, `OSMboxPend()`, `OSMboxPost()`, `OSMboxPostOpt()`, `OSMboxAccept()`, and `OSMboxQuery()`.

To enable µC/OS-II message mailbox services, you must set configuration constants in `OS_CFG.H`. Specifically, table 10.1 shows which services are compiled based on the value of configuration constants found in `OS_CFG.H`. You should note that NONE of the mailbox services are enabled when `OS_MBOX_EN` is set to 0. To enable specific features (i.e. service) listed in Table 10.1, simply set the configuration constant to 1. You will notice that `OSMboxCreate()` and `OSMboxPend()` cannot be individually disabled like the other services. That’s because they are always needed when you enable µC/OS-II message mailbox management. You must enable at least one of the post services: `OSMboxPost()` and `OSMboxPostOpt()`.

µC/OS-II Mailbox Service	Enabled when set to 1 in OS_CFG.H
<code>OSMboxAccept()</code>	<code>OS_MBOX_ACCEPT_EN</code>
<code>OSMboxCreate()</code>	
<code>OSMboxDel()</code>	<code>OS_MBOX_DEL_EN</code>
<code>OSMboxPend()</code>	
<code>OSMboxPost()</code>	<code>OS_MBOX_POST_EN</code>
<code>OSMboxPostOpt()</code>	<code>OS_MBOX_POST_OPT_EN</code>
<code>OSMboxQuery()</code>	<code>OS_MBOX_QUERY_EN</code>

Table - Table 10.1 Mailbox configuration constants in OS_CFG.H.

Figure 10.1 shows a flow diagram to illustrate the relationship between tasks, ISRs, and a message mailbox. Note that the symbology used to represent a mailbox is an I-beam. The hourglass represents a timeout that can be specified with the `OSMboxPend()` call. The content of

the mailbox is a pointer to a message. What the pointer points to is application specific. A mailbox can only contain one pointer (mailbox is full) or a pointer to NULL (mailbox is empty).

As you can see from Figure 10.1, a task or an ISR can call `OSMboxPost()` or `OSMboxPostOpt()`. However, only tasks are allowed to call `OSMboxDel()`, `OSMboxPend()` and `OSMboxQuery()`. Your application can have just about any number of mailboxes. The limit is set by `OS_MAX_EVENTS` in `OS_CFG.H`.

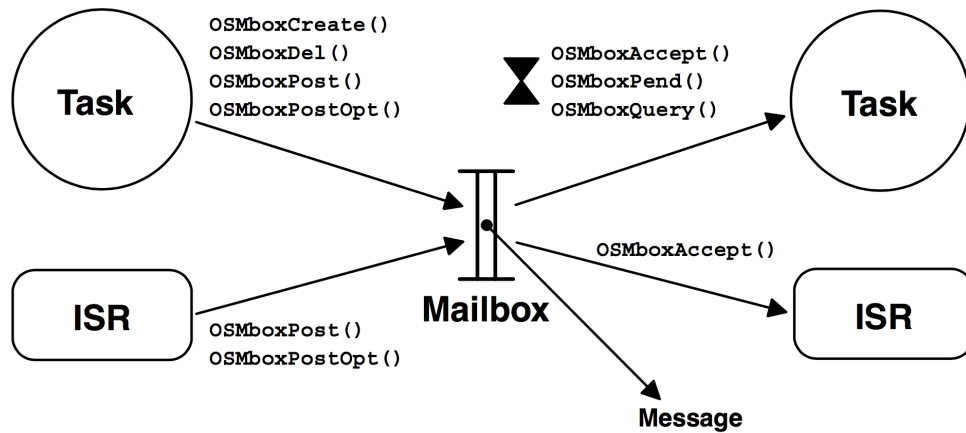


Figure - Figure 10.1 Relationships between tasks, ISRs, and a message mailbox.

Creating a Mailbox, `OSMboxCreate()`

A mailbox needs to be created before it can be used. Creating a mailbox is accomplished by calling `OSMboxCreate()` and specifying the initial value of the pointer. Typically, the initial value is a NULL pointer, but a mailbox can initially contain a message. If you use the mailbox to signal the occurrence of an event (i.e., send a message), you typically initialize it to a NULL pointer because the event (most likely) has not occurred. If you use the mailbox to access a shared resource, you initialize the mailbox with a non-NULL pointer. In this case, you basically use the mailbox as a binary semaphore.

The code to create a mailbox is shown in Listing 10.1.

```
OS_EVENT *OSMboxCreate (void *msg)
{
  #if OS_CRITICAL_METHOD == 3
    OS_CPU_SR cpu_sr;           (1)
  #endif
  OS_EVENT *pevent;

  if (OSIntNesting > 0) {      (2)
    return ((OS_EVENT *)0);
  }
  OS_ENTER_CRITICAL();
  pevent = OSEventFreeList;    (3)
  if (OSEventFreeList != (OS_EVENT *)0) { (4)
    OSEventFreeList = (OS_EVENT *)OSEventFreeList->OSEventPtr; (5)
  }
  OS_EXIT_CRITICAL();
  if (pevent != (OS_EVENT *)0) { (6)
    pevent->OSEventType = OS_EVENT_TYPE_MBOX; (7)
    pevent->OSEventCnt = 0; (8)
    pevent->OSEventPtr = msg; (9)
    OS_EventWaitListInit(pevent); (10)
  }
  return (pevent);           (11)
}
```

Listing - Listing 10.1 Creating a mailbox.

- (1) A local variable called `cpu_sr` to support `OS_CRITICAL_METHOD #3` is allocated.
- (2) `OSMboxCreate()` starts by making sure you are not calling this function from an ISR because this is not allowed. All kernel objects need to be created from task level code or before multitasking starts.
- (3) `OSMboxCreate()` then attempts to obtain an ECB (Event Control Block) from the free list of ECBs (see Figure 6.5).
- (4)
- (5) The linked list of free ECBs is adjusted to point to the next free ECB.
- (6)
- (7) If there is an ECB available, the ECB type is set to `OS_EVENT_TYPE_MBOX`. Other `OSMbox???`(`)` function calls will check this structure member to make sure that the ECB is of the proper type (i.e. a mailbox). This prevents you from calling `OSMboxPost()` on an ECB that was created for use as a message queue.

- (8) The .OSEventCnt field is then initialized to zero since this field is not used by message mailboxes.
- (9) The initial value of the message is stored in the ECB.
- (10) The wait list is then initialized by calling OS_EventWaitListInit() [see 6.??, Initializing an ECB, OS_EventWaitListInit()]. Because the mailbox is being initialized, there are no tasks waiting for it and thus, OS_EventWaitListInit() clears the .OSEventGrp and .OSEventTbl[] fields of the ECB.
- (11) Finally, OSMboxCreate() returns a pointer to the ECB. This pointer must be used in subsequent calls to manipulate mailboxes [OSMboxAccept(), OSMboxDel(), OSMboxPend(), OSMboxPost(), OSMboxPostOpt() and OSMboxQuery()]. The pointer is basically used as the mailbox handle. If there are no more ECBs, OSMboxCreate() returns a NULL pointer. You should make it a habit to check return values to ensure that you are getting the desired results. Passing NULL pointers to µC/OS-II will not make it fail because µC/OS-II validates arguments (only if OS_ARG_CHK_EN is set to 1, though). Figure 10.2 shows the content of the ECB just before OSMboxCreate() returns.

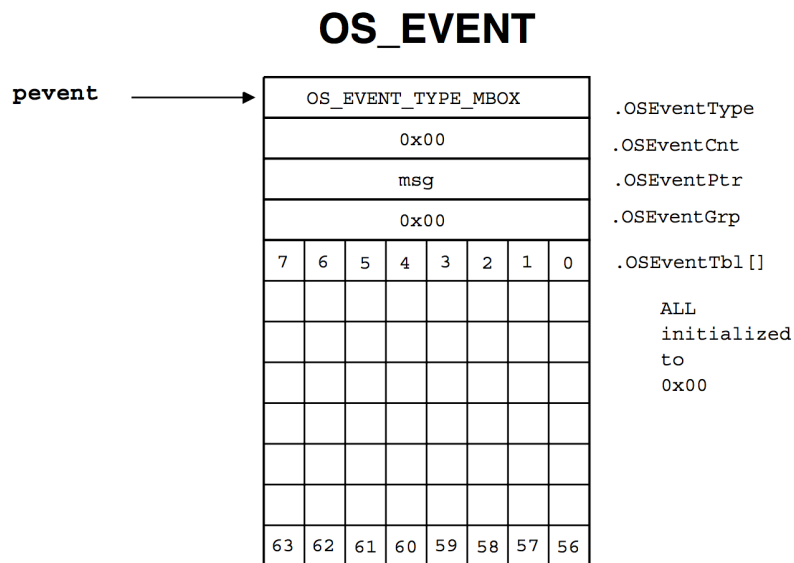


Figure - Figure 10.2 ECB just before OSMboxCreate() returns.

Deleting a Mailbox, OSMboxDel()

The code to delete a mailbox is shown in listing 10.2 and this code will only be generated by the compiler if `OS_MBOX_DEL_EN` is set to 1 in `OS_CFG.H` . This is a function you must use with caution because multiple tasks could attempt to access a deleted mailbox. You should always use this function with great care. Generally speaking, before you would delete a mailbox, you would first delete all the tasks that can access the mailbox.

```

OS_EVENT *OSMboxDel (OS_EVENT *pevent, INT8U opt, INT8U *err)
{
    #if OS_CRITICAL_METHOD == 3
        OS_CPU_SR cpu_sr;
    #endif
    BOOLEAN    tasks_waiting;

    if (OSIntNesting > 0) {           (1)
        *err = OS_ERR_DEL_ISR;
        return (pevent);
    }
    #if OS_ARG_CHK_EN > 0
        if (pevent == (OS_EVENT *)0) {   (2)
            *err = OS_ERR_PEVENT_NULL;
            return (pevent);
        }
        if (pevent->OSEventType != OS_EVENT_TYPE_MBOX) {   (3)
            *err = OS_ERR_EVENT_TYPE;
            return (pevent);
        }
    #endif
    OS_ENTER_CRITICAL();
    if (pevent->OSEventGrp != 0x00) {     (4)
        tasks_waiting = TRUE;
    } else {
        tasks_waiting = FALSE;
    }
    switch (opt) {
        case OS_DEL_NO_PEND:
            if (tasks_waiting == FALSE) {
                pevent->OSEventType = OS_EVENT_TYPE_UNUSED;   (5)
                pevent->OSEventPtr = OSEventFreeList;         (6)
                OSEventFreeList = pevent;                     (7)
                OS_EXIT_CRITICAL();
                *err = OS_NO_ERR;
                return ((OS_EVENT *)0);                       (8)
            } else {
                OS_EXIT_CRITICAL();
                *err = OS_ERR_TASK_WAITING;
                return (pevent);
            }
        case OS_DEL_ALWAYS:
            while (pevent->OSEventGrp != 0x00) {               (9)
                OS_EventTaskRdy(pevent, (void *)0, OS_STAT_MBOX); (10)
            }
            pevent->OSEventType = OS_EVENT_TYPE_UNUSED;       (11)
            pevent->OSEventPtr = OSEventFreeList;             (12)
            OSEventFreeList = pevent;
            OS_EXIT_CRITICAL();
            if (tasks_waiting == TRUE) {
                OS_Sched();                                   (13)
            }
            *err = OS_NO_ERR;
            return ((OS_EVENT *)0);                           (14)
        default:
            OS_EXIT_CRITICAL();
            *err = OS_ERR_INVALID_OPT;
            return (pevent);
    }
}

```

Listing - Listing 10.2, Deleting a Mailbox

- (1) `OSMboxDe1()` starts by making sure that this function is not called from an ISR because that's not allowed.
- (2)
- (3) We then validate `pevent` to ensure that it's not a NULL pointer and that it points to an ECB that was created as a mailbox.
- (4) `OSMboxDe1()` then determines whether there are any tasks waiting on the mailbox. The flag `tasks_waiting` is set accordingly.

Based on the option (i.e., `opt`) specified in the call, `OSMboxDe1()` will either delete the mailbox only if no tasks are pending on the mailbox (`opt == OS_DEL_NO_PEND`) or, delete the mailbox even if tasks are waiting (`opt == OS_DEL_ALWAYS`).

- (5)
- (6)
- (7) When `opt` is set to `OS_DEL_NO_PEND` and there is no task waiting on the mailbox, `OSMboxDe1()` marks the ECB as unused and the ECB is returned to the free list of ECBs. This will allow another mailbox (or any other ECB based object) to be created.
- (8) You will note that `OSMboxDe1()` returns a NULL pointer since, at this point, the mailbox should no longer be accessed through the original pointer. You ought to call `OSMboxDe1()` as follows:

```
MbxPtr = OSMboxDe1(MbxPtr, opt, &err);
```

This allows the pointer to the mailbox to be altered by the call. `OSMboxDe1()` returns an error code if there were task waiting on the mailbox (i.e. `OS_ERR_TASK_WAITING`) because by specifying `OS_DEL_NO_PEND` you indicated that you didn't want to delete the mailbox if there are tasks waiting on the mailbox.

- (9)

- (10) When `opt` is set to `OS_DEL_ALWAYS` then all tasks waiting on the mailbox will be readied. Each task will *think* it received a NULL message. Each task should examine the returned pointer to make sure it's non-NULL. Also, you should note that interrupts are disabled while each task is being readied. This, of course, increases interrupt latency of your system.
- (11)
- (12) Once all pending tasks are readied, `OSMboxDe1()` marks the ECB as unused and the ECB is returned to the free list of ECBs.
- (13) The scheduler is called only if there were tasks waiting on the mailbox.
- (14) Again, you will note that `OSMboxDe1()` returns a NULL pointer since, at this point, the mailbox should no longer be accessed through the original pointer.

Waiting for a Message at a Mailbox, `OSMboxPend()`

The code to wait for a message to arrive at a mailbox is shown in Listing 10.3.

```

void *OSMboxPend (OS_EVENT *pevent, INT16U timeout, INT8U *err)
{
    #if OS_CRITICAL_METHOD == 3
        OS_CPU_SR cpu_sr;
    #endif
    void *msg;

    if (OSIntNesting > 0) {
        *err = OS_ERR_PEND_ISR;
        return ((void *)0);
    }
    #if OS_ARG_CHK_EN > 0
        if (pevent == (OS_EVENT *)0) {
            *err = OS_ERR_PEVENT_NULL;
            return ((void *)0);
        }
        if (pevent->OSEventType != OS_EVENT_TYPE_MBOX) {
            *err = OS_ERR_EVENT_TYPE;
            return ((void *)0);
        }
    #endif
    OS_ENTER_CRITICAL();
    msg = pevent->OSEventPtr;
    if (msg != (void *)0) {
        pevent->OSEventPtr = (void *)0;
        OS_EXIT_CRITICAL();
        *err = OS_NO_ERR;
        return (msg);
    }
    OSTCBCur->OSTCBStat |= OS_STAT_MBOX;
    OSTCBCur->OSTCBDly = timeout;
    OS_EventTaskWait(pevent);
    OS_EXIT_CRITICAL();
    OS_Sched();
    OS_ENTER_CRITICAL();
    msg = OSTCBCur->OSTCBMsg;
    if (msg != (void *)0) {
        OSTCBCur->OSTCBMsg = (void *)0;
        OSTCBCur->OSTCBStat = OS_STAT_RDY;
        OSTCBCur->OSTCBEventPtr = (OS_EVENT *)0;
        OS_EXIT_CRITICAL();
        *err = OS_NO_ERR;
        return (msg);
    }
    OS_EventTO(pevent);
    OS_EXIT_CRITICAL();
    *err = OS_TIMEOUT;
    return ((void *)0);
}

```

Listing - Listing 10.3 Waiting for a message at a Mailbox (blocking),

- (1) OSMboxPend() checks to see if the function was called by an ISR. It doesn't make sense to call OSMboxPend() from an ISR because an ISR cannot be made to wait. Instead, you should call OSMboxAccept() (see section 10.05).
- (2)

- (3) If `OS_ARG_CHK_EN` (see `OS_CFG.H`) is set to 1, `OSMboxPend()` checks that `pevent` is not a NULL pointer and the ECB being pointed to by `pevent` has been created by `OSMboxCreate()`.
- (4)
- (5)
- (6) If a message has been deposited in the mailbox (non NULL pointer), the message is extracted from the mailbox and replaced with a NULL pointer and the function returns to its caller with the message that was in the mailbox. An error code is also set indicating success. If your code calls `OSMboxPend()`, this is the outcome you are looking for because it indicates that another task or an ISR already deposited a message. This happens to be the fastest path through `OSMboxPend()`.

If the mailbox was empty, the calling task needs to be put to sleep until another task (or an ISR) sends a message through the mailbox (see section 10.04). `OSMboxPend()` allows you to specify a timeout value (in integral number of ticks) as one of its arguments (i.e., timeout). This feature is useful to avoid waiting indefinitely for a message to arrive at the mailbox. If the timeout value is nonzero, `OSMboxPend()` suspends the task until the mailbox receives a message or the specified timeout period expires. Note that a timeout value of 0 indicates that the task is willing to wait forever for a message to arrive.

- (7) To put the calling task to sleep, `OSMboxPend()` sets the status flag in the task's TCB (Task Control Block) to indicate that the task is suspended waiting at a mailbox.
- (8) The timeout is also stored in the TCB so that it can be decremented by `OSTimeTick()`. You should recall (see section 3.11, Clock Tick) that `OSTimeTick()` decrements each of the created task's `.OSTCBDly` field if it's nonzero.
- (9) The actual work of putting the task to sleep is done by `OS_EventTaskWait()` [see section 6.06, Making a Task Wait for an Event, `OS_EventTaskWait()`].
- (10) Because the calling task is no longer ready to run, the scheduler is called to run the next highest priority task that is ready to run. As far as your task is concerned, it made a call

to `OSMboxPend()` and it doesn't know that it will be suspended until a message arrives. When the mailbox receives a message (or the timeout period expires) `OSMboxPend()` will resume execution immediately after the call to `OS_Sched()`.

- (11) When `OS_Sched()` returns, `OSMboxPend()` checks to see if a message was placed in the task's TCB by `OSMboxPost()`.
- (12) If so, the call is successful and the message is returned to the caller.
- (13) If a message is not received then `OS_Sched()` must have returned because of a timeout. The calling task is then removed from the mailbox wait list by calling `OS_EventTO()`.
- (14) Note that the returned pointer is set to `NULL` because there is no message to return. The calling task should either examine the contents of the return pointer or the return code to determine whether a valid message was received.

Sending a message to a mailbox, `OSMboxPost()`

The code to deposit a message in a mailbox is shown in Listing 10.4.


```
INT8U OSMboxPost (OS_EVENT *pevent, void *msg)
{
    #if OS_CRITICAL_METHOD == 3
        OS_CPU_SR cpu_sr;
    #endif

    #if OS_ARG_CHK_EN > 0
        if (pevent == (OS_EVENT *)0) {           (1)
            return (OS_ERR_EVENT_NULL);
        }
        if (msg == (void *)0) {
            return (OS_ERR_POST_NULL_PTR);
        }
        if (pevent->OSEventType != OS_EVENT_TYPE_MBOX) {
            return (OS_ERR_EVENT_TYPE);
        }
    #endif
    OS_ENTER_CRITICAL();
    if (pevent->OSEventGrp != 0x00) {           (2)
        OS_EventTaskRdy(pevent, msg, OS_STAT_MBOX); (3)
        OS_EXIT_CRITICAL();
        OS_Sched();                             (4)
        return (OS_NO_ERR);
    }
    if (pevent->OSEventPtr != (void *)0) {     (5)
        OS_EXIT_CRITICAL();
        return (OS_MBOX_FULL);
    }
    pevent->OSEventPtr = msg;                   (6)
    OS_EXIT_CRITICAL();
    return (OS_NO_ERR);
}
```

Listing - Listing 10.4 Posting a message to a mailbox,

- (1) If `OS_ARG_CHK_EN` is set to 1 in `OS_CFG.H`, `OSMboxPost()` checks to see that `pevent` is not a NULL pointer, that the message being posted is not a NULL pointer and finally, makes sure that the ECB is a mailbox.
- (2) `OSMboxPost()` then checks to see if any task is waiting for a message to arrive at the mailbox. There are tasks waiting when the `.OSEventGrp` field in the ECB contains a nonzero value.
- (3) The highest priority task waiting for the message is removed from the wait list by `OS_EventTaskRdy()` [see section 6.05, Making a Task Ready, `OS_EventTaskRdy()`], and this task is made ready to run.
- (4) `OS_Sched()` is then called to see if the task made ready is now the highest priority task ready to run. If it is, a context switch results [only if `OSMboxPost()` is called from a task]

and the readied task is executed. If the readied task is not the highest priority task, `OS_Sched()` returns and the task that called `OSMboxPost()` continues execution.

- (5) At this point, there are no tasks waiting for a message at the specified mailbox. `OSMboxPost()` then checks to see that there isn't already a message in the mailbox. Because the mailbox can only hold one message, an error code is returned if we get this outcome.
- (6) If there are no tasks waiting for a message to arrive at the mailbox, then the pointer to the message is saved in the mailbox. Storing the pointer in the mailbox allows the next task to call `OSMboxPend()` to get the message immediately.

Note that a context switch does not occur if `OSMboxPost()` is called by an ISR because context switching from an ISR only occurs when `OSIntExit()` is called at the completion of the ISR and from the last nested ISR (see section 3.09, Interrupts under μC/OS-II).

Sending a message to a mailbox, `OSMboxPostOpt()`

You can also post a message to a mailbox using an alternate and more powerful function called `OSMboxPostOpt()`. The reason there are two post calls is for backwards compatibility with previous versions of μC/OS-II. `OSMboxPostOpt()` is the newer function and can replace `OSMboxPost()`. In addition, `OSMboxPostOpt()` allows posting a message to all tasks (i.e. broadcast) waiting on the mailbox. The code to deposit a message in a mailbox is shown in Listing 10.5.

```

INT8U OSMboxPostOpt (OS_EVENT *pevent, void *msg, INT8U opt)
{
    #if OS_CRITICAL_METHOD == 3
        OS_CPU_SR cpu_sr;
    #endif

    #if OS_ARG_CHK_EN > 0
        if (pevent == (OS_EVENT *)0) {           (1)
            return (OS_ERR_EVENT_NULL);
        }
        if (msg == (void *)0) {
            return (OS_ERR_POST_NULL_PTR);
        }
        if (pevent->OSEventType != OS_EVENT_TYPE_MBOX) {
            return (OS_ERR_EVENT_TYPE);
        }
    #endif
    OS_ENTER_CRITICAL();
    if (pevent->OSEventGrp != 0x00) {           (2)
        if ((opt & OS_POST_OPT_BROADCAST) != 0x00) {   (3)
            while (pevent->OSEventGrp != 0x00) {       (4)
                OS_EventTaskRdy(pevent, msg, OS_STAT_MBOX);   (5)
            }
        } else {
            OS_EventTaskRdy(pevent, msg, OS_STAT_MBOX);   (6)
        }
        OS_EXIT_CRITICAL();
        OS_Sched();           (7)
        return (OS_NO_ERR);
    }
    if (pevent->OSEventPtr != (void *)0) {           (8)
        OS_EXIT_CRITICAL();
        return (OS_MBOX_FULL);
    }
    pevent->OSEventPtr = msg;           (9)
    OS_EXIT_CRITICAL();
    return (OS_NO_ERR);
}

```

Listing - Listing 10.5 Posting a message to a Mailbox,

- (1) If OS_ARG_CHK_EN is set to 1 in OS_CFG.H , OSMboxPostOpt() checks to see that pevent is not a NULL pointer, that the message being posted is not a NULL pointer and finally, checks to make sure that the ECB is a mailbox.
- (2) OSMboxPost() then checks to see if any task is waiting for a message to arrive at the mailbox. There are tasks waiting when the .OSEventGrp field in the ECB contains a nonzero value.
- (3)
- (4)

- (5) If you set the `OS_POST_OPT_BROADCAST` bit in the `opt` argument then all tasks qaiting for a message will receive the message. All tasks waiting for the message are removed from the wait list by `OS_EventTaskRdy()` [see section 6.05, Making a Task Ready, `OS_EventTaskRdy()`]. You should notice that interrupt disable time is proportional to the number of tasks waiting for a message from the mailbox.
- (6) If a broadcast was not requested then, only the highest priority task waiting for a message will be made ready to run. The highest priority task waiting for the message is removed from the wait list by `OS_EventTaskRdy()`.
- (7) `OS_Sched()` is then called to see if the task made ready is now the highest priority task ready to run. If it is, a context switch results [only if `OSMboxPostOpt()` is called from a task] and the readied task is executed. If the readied task is not the highest priority task, `OS_Sched()` returns and the task that called `OSMboxPostOpt()` continues execution.
- (8) If nobody is waiting for a message, the message to post needs to be placed in the mailbox. In this case, `OSMboxPostOpt()` makes sure that there isn't already a message in the mailbox. Remember that a mailbox can only contain one message. An error code would be returned if an attempt was made to add a message to an already full mailbox.
- (9) `OSMboxPostOpt()` then deposits the message in the mailbox.

Note that a context switch does not occur if `OSMboxPostOpt()` is called by an ISR because context switching from an ISR only occurs when `OSIntExit()` is called at the completion of the ISR and from the last nested ISR (see section 3.10, Interrupts under μC/OS-II).

Getting a message without waiting (non-blocking), `OSMboxAccept()`

You can obtain a message from a mailbox without putting a task to sleep if the mailbox is empty. This is accomplished by calling `OSMboxAccept()`, shown in Listing 10.6.

```
void *OSMboxAccept (OS_EVENT *pevent)
{
    #if OS_CRITICAL_METHOD == 3
        OS_CPU_SR cpu_sr;
    #endif
    void *msg;

    #if OS_ARG_CHK_EN > 0
        if (pevent == (OS_EVENT *)0) { (1)
            return ((void *)0);
        }
        if (pevent->OSEventType != OS_EVENT_TYPE_MBOX) { (2)
            return ((void *)0);
        }
    #endif
    OS_ENTER_CRITICAL();
    msg = pevent->OSEventPtr; (3)
    pevent->OSEventPtr = (void *)0; (4)
    OS_EXIT_CRITICAL();
    return (msg); (5)
}
```

Listing - Listing 10.6 Getting a message without waiting.

- (1)
- (2) If OS_ARG_CHK_EN is set to 1 in OS_CFG.H, OSMboxAccept() starts by checking that pevent is not a NULL pointer and that the ECB being pointed to by pevent has been created by OSMboxCreate().
- (3) OSMboxAccept() then gets the current contents of the mailbox in order to determine whether a message is available (i.e., a non-NULL pointer).
- (4) If a message is available, the mailbox is emptied. You should note that this operation is done even if the message already contains a NULL pointer. This is done for performance considerations.
- (5) Finally, the original contents of the mailbox is returned to the caller.

The code that called OSMboxAccept() must examine the returned value. If OSMboxAccept() returns a NULL pointer, then a message was not available. A non-NULL pointer indicates that a message was deposited in the mailbox. An ISR should use OSMboxAccept() instead of OSMboxPend().

You can use `OSMboxAccept()` to flush (i.e., empty) the contents of a mailbox.

Obtaining the status of a mailbox, `OSMboxQuery()`

`OSMboxQuery()` allows your application to take a snapshot of an ECB used for a message mailbox. The code for this function is shown in Listing 10.7. `OSMboxQuery()` is passed two arguments: `pEvent` contains a pointer to the message mailbox, which is returned by `OSMboxCreate()` when the mailbox is created, and `pData` is a pointer to a data structure (`OS_MBOX_DATA`, see `uCOS_II.H`) that holds information about the message mailbox. Your application needs to allocate a variable of type `OS_MBOX_DATA` that will be used to receive the information about the desired mailbox. I decided to use a new data structure because the caller should only be concerned with mailbox-specific data, as opposed to the more generic `OS_EVENT` data structure, which contains two additional fields (`.OSEventCnt` and `.OSEventType`). `OS_MBOX_DATA` contains the current contents of the message (`.OSMsg`) and the list of tasks waiting for a message to arrive (`.OSEventTbl1[]` and `.OSEventGrp`).

```
INT8U OSMboxQuery (OS_EVENT *pevent, OS_MBOX_DATA *pdata)
{
    #if OS_CRITICAL_METHOD == 3
        OS_CPU_SR cpu_sr;
    #endif
    INT8U    *psrc;
    INT8U    *pdest;

    #if OS_ARG_CHK_EN > 0
        if (pevent == (OS_EVENT *)0) {                (1)
            return (OS_ERR_EVENT_NULL);
        }
        if (pevent->OSEventType != OS_EVENT_TYPE_MBOX) { (2)
            return (OS_ERR_EVENT_TYPE);
        }
    #endif
    OS_ENTER_CRITICAL();
    pdata->OSEventGrp = pevent->OSEventGrp;          (3)
    psrc               = &pevent->OSEventTbl[0];
    pdest              = &pdata->OSEventTbl[0];

    #if OS_EVENT_TBL_SIZE > 0
        *pdest++       = *psrc++;
    #endif

    #if OS_EVENT_TBL_SIZE > 1
        *pdest++       = *psrc++;
    #endif

    #if OS_EVENT_TBL_SIZE > 2
        *pdest++       = *psrc++;
    #endif

    #if OS_EVENT_TBL_SIZE > 3
        *pdest++       = *psrc++;
    #endif

    #if OS_EVENT_TBL_SIZE > 4
        *pdest++       = *psrc++;
    #endif

    #if OS_EVENT_TBL_SIZE > 5
        *pdest++       = *psrc++;
    #endif

    #if OS_EVENT_TBL_SIZE > 6
        *pdest++       = *psrc++;
    #endif

    #if OS_EVENT_TBL_SIZE > 7
        *pdest          = *psrc;
    #endif
    pdata->OSMsg = pevent->OSEventPtr;                (4)
    OS_EXIT_CRITICAL();
    return (OS_NO_ERR);
}
```

Listing - Listing 10.7 Obtaining the status of a mailbox.

(1)

- (2) As always, if `OS_ARG_CHK_EN` is set to 1, `OSMboxQuery()` checks that `pevent` is not a NULL pointer and that it points to an ECB containing a mailbox.
- (3) `OSMboxQuery()` then copies the wait list. You should note that I decided to do the copy as inline code instead of using a loop for performance reasons.
- (4) Finally, the current message, from the `OS_EVENT` structure is copied to the `OS_MBOX_DATA` structure.

Using a Mailbox as a Binary Semaphore

A message mailbox can be used as a binary semaphore by initializing the mailbox with a non-NULL pointer [(void *)1 works well]. A task requesting the “semaphore” calls `OSMboxPend()` and releases the “semaphore” by calling `OSMboxPost()`. Listing 10.8 shows how this works. You can use this technique to conserve code space if your application only needs binary semaphores and mailboxes. In this case, set `OS_MBOX_EN` to 1 and `OS_SEM_EN` to 0 so that you use only mailboxes instead of both mailboxes and semaphores.

```
OS_EVENT *MboxSem;

void Task1 (void *pdata)
{
    INT8U err;

    for (;;) {
        OSMboxPend(MboxSem, 0, &err); /* Obtain access to resource(s) */
        . /* Task has semaphore, access resource(s) */
        .
        OSMboxPost(MboxSem, (void *)1); /* Release access to resource(s) */
    }
}
```

Listing - Listing 10.8 Using a mailbox as a binary semaphore.

Using a Mailbox instead of OSTimeDly()

The timeout feature of a mailbox can be used to simulate a call to `OSTimeDly()`. As shown in Listing 10.9, `Task1()` resumes execution after the time period expires if no message is received within the specified `TIMEOUT`. This is basically identical to `OSTimeDly(TIMEOUT)`. However, the task can be resumed by `Task2()` when `Task2()` post a “dummy” message to the mailbox before the timeout expires. This is the same as calling `OSTimeDlyResume()` had `Task1()` called `OSTimeDly()`. Note that the returned message is ignored because you are not actually looking to get a message from another task or an ISR.

```
OS_EVENT *MboxTimeDly;

void Task1 (void *pdata)
{
    INT8U err;

    for (;;) {
        OSMboxPend(MboxTimeDly, TIMEOUT, &err); /* Delay task          */
        .
        . /* Code executed after time delay or dummy message is received */
        .
    }
}

void Task2 (void *pdata)
{
    INT8U err;

    for (;;) {
        OSMboxPost(MboxTimeDly, (void *)1); /* Cancel delay for Task1 */
        .
        .
    }
}
```

Listing - Listing 10.9 Using a mailbox as a time delay.

Message Queue Management

A message queue (or simply a queue) is a µC/OS-II object that allows a task or an ISR to send pointer-sized variables to another task. Each pointer typically is initialized to point to some application-specific data structure containing a message. µC/OS-II provides nine services to access message queues: OSQCreate(), OSQDel(), OSQPend(), OSQPost(), OSQPostFront(), OSQPostOpt(), OSQAccept(), OSQFlush(), and OSQQuery().

Message Queue Configuration

To enable µC/OS-II message queue services, you must set configuration constants in OS_CFG.H. Specifically, table 11.1 shows which services are compiled based on the value of configuration constants found in OS_CFG.H. You should note that NONE of the mailbox services are enabled when OS_Q_EN is set to 0 or OS_MAX_QS is set to 0. To enable a specific feature (i.e. service), simply set the corresponding configuration constant to 1. You will notice that OSQCreate() and OSQPend() cannot be individually disabled like the other services. That's because they are always needed when you enable µC/OS-II message mailbox management. You must enable at least one of the post services: OSQPost(), OSQPostFront() and OSQPostOpt().

µC/OS-II Queue Service	Enabled when set to 1 in OS_CFG.H
OSQAccept()	OS_Q_ACCEPT_EN
OSQCreate()	
OSQDel()	OS_Q_DEL_EN
OSQFlush()	OS_Q_FLUSH_EN
OSQPend()	
OSQPost()	OS_Q_POST_EN
OSQPostFront()	OS_Q_POST_FRONT_EN
OSQPostOpt()	OS_Q_POST_OPT_EN
OSQQuery()	OS_Q_QUERY_EN

Table - Table 11.1 Message queue configuration constants in OS_CFG.H.

Figure 11.1 shows a flow diagram to illustrate the relationship between tasks, ISRs, and a message queue. Note that the symbology used to represent a queue looks like a mailbox with multiple entries. In fact, you can think of a queue as an array of mailboxes, except that there is

only one wait list associated with the queue. The hourglass represents a timeout that can be specified with the OSQPend() call. Again, what the pointers point to is application specific. N represents the number of entries the queue holds. The queue is full when your application calls OSQPost() [or OSQPostFront() or OSQPostOpt()] N times before your application has called OSQPend() or OSQAccept() .

As you can see from Figure 11.1, a task or an ISR can call OSQPost(), OSQPostFront(), OSQPostOpt(), OSQFlush(), or OSQAccept(). However, only tasks are allowed to call OSQDel(), OSQPend() and OSQQuery().

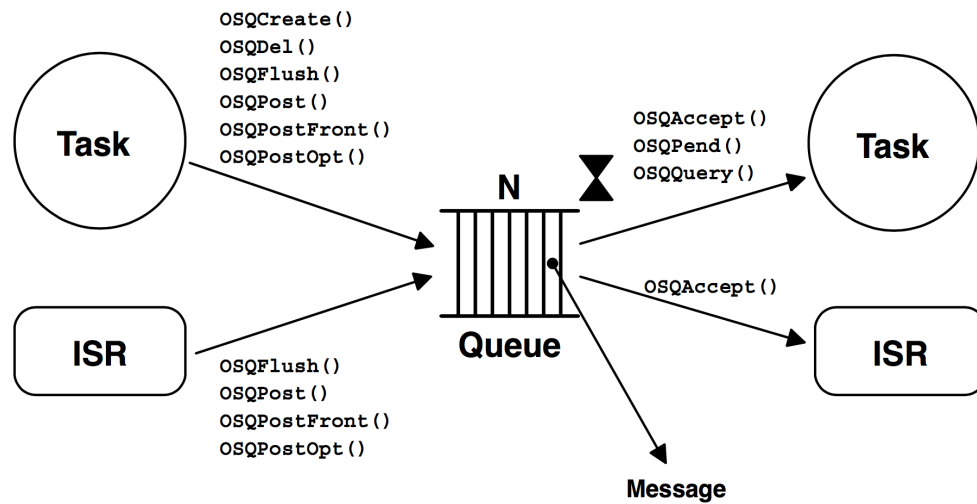


Figure - Figure 11.1 Relationships between tasks, ISRs, and a message queue.

Figure 11.2 shows the different data structures needed to implement a message queue.

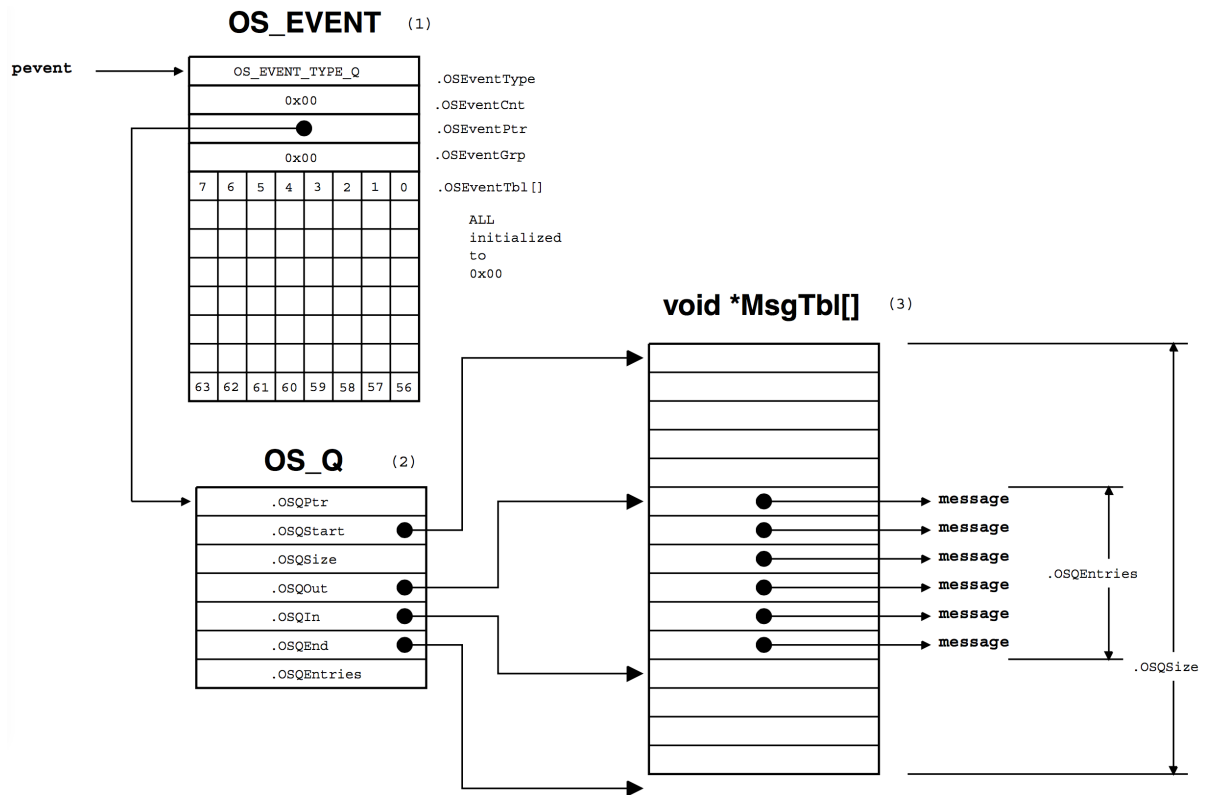


Figure - Figure 11.2 Data structures used in a message queue.

- (1) An ECB is required because you need a wait list, and using an ECB allows queue services to use some of the same code used by semaphores, mutexes and mailboxes.
- (2) When a message queue is created, a queue control block (i.e., an OS_Q, see OS_Q.C) is allocated and linked to the ECB using the .OSEventPtr field in OS_EVENT.
- (3) Before you create a queue, however, you need to allocate an array of pointers that contains the desired number of queue entries. In other words, the number of elements in the array corresponds to the number of entries in the queue. The starting address of the array is passed to OSQCreate() as an argument as well as the size (in number of elements) of the array. In fact, you don't actually need to use an array as long as the memory occupies contiguous locations.

The configuration constant `OS_MAX_QS` in `OS_CFG.H` specifies how many queues you are

allowed to have in your application and must be greater than 0. When µC/OS-II is initialized, a list of free queue control blocks is created as shown in Figure 11.3.

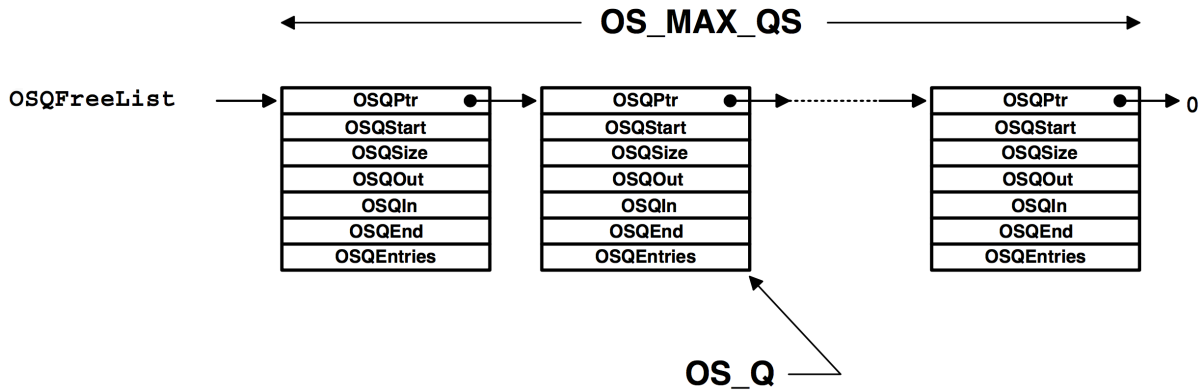


Figure - Figure 11.3 List of free queue control blocks.

A queue control block is a data structure used to maintain information about the queue. It contains the fields described below. Note that the fields are preceded with a dot to show that they are members of a structure as opposed to simple variables.

.OSQPtr links queue control blocks in the list of free queue control blocks. Once the queue is created, this field is not used.

.OSQStart contains a pointer to the start of the message queue storage area. Your application must declare this storage area before creating the queue.

.OSQEnd is a pointer to one location past the end of the queue. This pointer is used to make the queue a circular buffer.

.OSQIn is a pointer to the location in the queue where the next message will be inserted. **.OSQIn** is adjusted back to the beginning of the message storage area when **.OSQIn** equals **.OSQEnd**.

.OSQOut is a pointer to the next message to be extracted from the queue. **.OSQOut** is adjusted back to the beginning of the message storage area when **.OSQOut** equals **.OSQEnd**. **.OSQOut** is also used to insert a message [see **OSQPostFront()** and **OSQPostOpt()**].

.OSQSize contains the size of the message storage area. The size of the queue is determined by your application when the queue is created. Note that µC/OS-II allows the queue to contain up to 65,535 entries.

.OSQEntries contains the current number of entries in the message queue. The queue is empty when .OSQEntries is 0 and full when it equals .OSQSize. The message queue is empty when the queue is created.

A message queue is basically a circular buffer as shown in Figure 11.4.

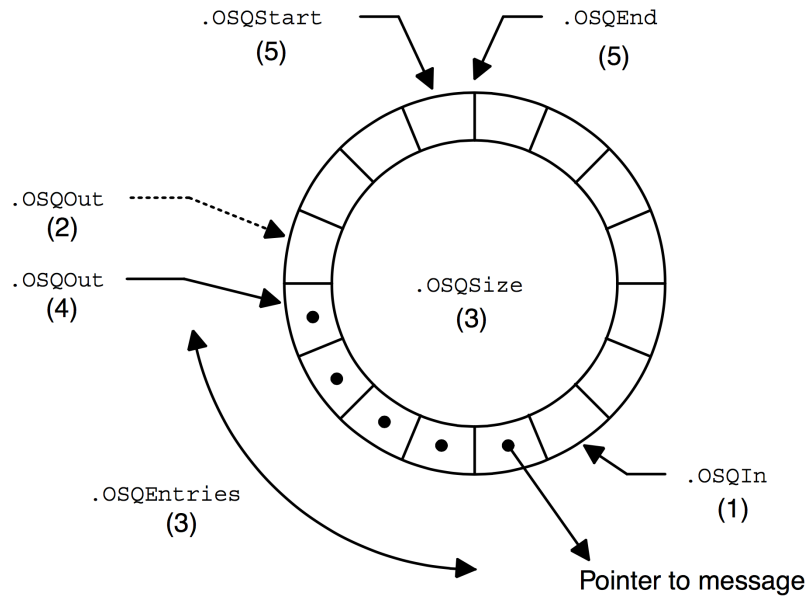


Figure - Figure 11.4 A message queue is a circular buffer of pointers.

- (1)
- (3) Each entry contains a pointer. The pointer to the next message is deposited at the entry pointed to by .OSQIn unless the queue is full (i.e., .OSQEntries == .OSQSize) . Depositing the pointer at .OSQIn implements a FIFO (First-In-First-Out) queue. This is what OSQPost() does.
- (2) µC/OS-II implements a LIFO (Last-In-First-Out) queue by pointing to the entry preceding .OSQOut and depositing the pointer at that location (see OSQPostFront() and OSQPostOpt()).
- (4) The pointer is also considered full when .OSQEntries == .OSQSize. Message pointers are always extracted from the entry pointed to by .OSQOut.

- (5) The pointers `.OSQStart` and `.OSQEnd` are simply markers used to establish the beginning and end of the array so that `.OSQIn` and `.OSQOut` can wrap around to implement this circular motion.

Creating a message queue, OSQCreate()

A message queue (or simply a queue) needs to be created before it can be used. Creating a queue is accomplished by calling `OSQCreate()` and passing it two arguments: a pointer to an array that will hold the messages and the size of this array. The array must be declared as an array of pointers to void as follows:

```
void *MyArrayOfMsg[SIZE];
```

You would pass the address of `MyArrayOfMsg[]` to `OSQCreate()` as well as the size of this array. The message queue is assumed to be initially empty – it doesn't contain any messages.

The code to create a mailbox is shown in Listing 11.1.

```
OS_EVENT *OSQCreate (void **start, INT16U size)
{
  #if OS_CRITICAL_METHOD == 3
    OS_CPU_SR cpu_sr;
  #endif
  OS_EVENT *pevent;
  OS_Q *pq;

  if (OSIntNesting > 0) {
    return ((OS_EVENT *)0);
  }
  OS_ENTER_CRITICAL();
  pevent = OSEventFreeList;
  if (OSEventFreeList != (OS_EVENT *)0) {
    OSEventFreeList = (OS_EVENT *)OSEventFreeList->OSEventPtr;
  }
  OS_EXIT_CRITICAL();
  if (pevent != (OS_EVENT *)0) {
    OS_ENTER_CRITICAL();
    pq = OSQFreeList;
    if (pq != (OS_Q *)0) {
      OSQFreeList = OSQFreeList->OSQPtr;
      OS_EXIT_CRITICAL();
      pq->OSQStart = start;
      pq->OSQEnd = &start[size];
      pq->OSQIn = start;
      pq->OSQOut = start;
      pq->OSQSize = size;
      pq->OSQEntries = 0;
      pevent->OSEventType = OS_EVENT_TYPE_Q;
      pevent->OSEventCnt = 0;
      pevent->OSEventPtr = pq;
      OS_EventWaitListInit(pevent);
    } else {
      pevent->OSEventPtr = (void *)OSEventFreeList;
      OSEventFreeList = pevent;
      OS_EXIT_CRITICAL();
      pevent = (OS_EVENT *)0;
    }
  }
  return (pevent);
}
```

Listing - Listing 11.1 Creating a message queue.

- (1) A local variable called `cpu_sr` to support `OS_CRITICAL_METHOD #3` is allocated.
- (2) `OSQCreate()` starts by making sure you are not calling this function from an ISR because this is not allowed. All kernel objects need to be created from task level code or before multitasking starts.
- (3) `OSQCreate()` then attempts to obtain an ECB from the free list of ECBs (see Figure 6.5) and adjusts the linked list accordingly.

- (4) If there is an ECB available, `OSQCreate()` attempts to allocate a queue control block (`OS_Q`) from the free list of queue control blocks (see Figure 11.3) and adjusts the linked list accordingly.
- (5)
- (6) If a queue control block was available from the free list, the fields of the queue control block are initialized followed by the ones of the ECB. You should note that the `.OSEventType` field is set to `OS_EVENT_TYPE_Q` so that subsequent message queue services can check the validity of the ECB.
- (7) The wait list is cleared indicating that no task is currently waiting on the message queue.
- (8) If an ECB was available but a queue control block was not then, the ECB is returned to the free list since we cannot satisfy the request to create a queue unless we also have a queue control block.
- (9) `OSQCreate()` returns either a pointer to the ECB upon successfully creating a message queue or, a NULL pointer if not. This pointer must be used (if not NULL) in subsequent calls that operate on message queues. The pointer is basically used as the queue's handle.

Deleting a message queue, `OSQDel()`

The code to delete a message queue is shown in listing 11.2 and this code will only be generated by the compiler if `OS_Q_DEL_EN` is set to 1 in `OS_CFG.H`. This is a function that you must use with caution because multiple tasks could attempt to access a deleted message queue. You should always use this function with great care. Generally speaking, before you would delete a message queue, you would first delete all the tasks that access the message queue.

```

OS_EVENT *OSQDel (OS_EVENT *pevent, INT8U opt, INT8U *err)
{
    #if OS_CRITICAL_METHOD == 3
        OS_CPU_SR cpu_sr;
    #endif
    BOOLEAN    tasks_waiting;
    OS_Q       *pq;

    if (OSIntNesting > 0) {
        *err = OS_ERR_DEL_ISR;
        return ((OS_EVENT *)0);
    }
    #if OS_ARG_CHK_EN > 0
        if (pevent == (OS_EVENT *)0) {
            *err = OS_ERR_PEVENT_NULL;
            return (pevent);
        }
        if (pevent->OSEventType != OS_EVENT_TYPE_Q) {
            *err = OS_ERR_EVENT_TYPE;
            return (pevent);
        }
    #endif
    OS_ENTER_CRITICAL();
    if (pevent->OSEventGrp != 0x00) {
        tasks_waiting = TRUE;
    } else {
        tasks_waiting = FALSE;
    }
    switch (opt) {
        case OS_DEL_NO_PEND:
            if (tasks_waiting == FALSE) {
                pq
                    = pevent->OSEventPtr;
                pq->OSQPtr
                    = OSQFreeList;
                OSQFreeList
                    = pq;
                pevent->OSEventType = OS_EVENT_TYPE_UNUSED;
                pevent->OSEventPtr = OSEventFreeList;
                OSEventFreeList
                    = pevent;
                OS_EXIT_CRITICAL();
                *err = OS_NO_ERR;
                return ((OS_EVENT *)0);
            } else {
                OS_EXIT_CRITICAL();
                *err = OS_ERR_TASK_WAITING;
                return (pevent);
            }
        case OS_DEL_ALWAYS:
            while (pevent->OSEventGrp != 0x00) {
                OS_EventTaskRdy(pevent, (void *)0, OS_STAT_Q);
            }
            pq
                = pevent->OSEventPtr;
            pq->OSQPtr
                = OSQFreeList;
            OSQFreeList
                = pq;
            pevent->OSEventType = OS_EVENT_TYPE_UNUSED;
            pevent->OSEventPtr = OSEventFreeList;
            OSEventFreeList
                = pevent;
            OS_EXIT_CRITICAL();
            if (tasks_waiting == TRUE) {
                OS_Sched();
            }
            *err = OS_NO_ERR;
            return ((OS_EVENT *)0);
        default:
            OS_EXIT_CRITICAL();
            *err = OS_ERR_INVALID_OPT;
    }
}

```

```
        return (pevent);
    }
}
```

Listing - Listing 11.2 Deleting a Message Queue.

- (1) OSQDe1() starts by making sure that this function is not called from an ISR because that's not allowed.
- (2)
- (3) If OS_ARG_CHK_EN (see OS_CFG.H) is set to 1, OSQDe1() validates pevent to ensure that it's not a NULL pointer and that it points to an ECB that was created as a queue.
- (4) OSQDe1() then determines whether there are any tasks waiting on the queue. The flag tasks_waiting is set accordingly.

Based on the option (i.e. opt) specified in the call, OSQDe1() will either delete the queue only if no tasks are pending on the queue (opt == OS_DEL_NO_PEND) or, delete the queue even if tasks are waiting (opt == OS_DEL_ALWAYS).

- (5) When opt is set to OS_DEL_NO_PEND and there is no task waiting on the queue, OSQDe1() starts by returning the queue control block to the free list.
- (6)
- (7) OSQDe1() then marks the ECB as unused and the ECB is returned to the free list of ECBs. This will allow another message queue (or any other ECB based object) to be created.
- (8) You will note that OSQDe1() returns a NULL pointer since, at this point, the queue should no longer be accessed through the original pointer. Because of this, you should call OSQDe1() as follows:

```
QPtr = OSQDe1(QPtr, opt, &err);
```

OSQDe1() returns an error code if there were task waiting on the queue (i.e., OS_ERR_TASK_WAITING) because by specifying OS_DEL_NO_PEND you indicated that you didn't want to delete the queue if there are tasks waiting on the queue.

- (9)
- (10) When `opt` is set to `OS_DEL_ALWAYS` then all tasks waiting on the queue will be readied. Each task will *think* it received a message when in fact no message has been sent. The task should examine the pointer returned to it to make sure it's non-NULL. Also, you should note that interrupts are disabled while each task is being readied. This, of course, increases interrupt latency of your system.
- (11) `OSQDe1()` then returns the queue control block to the free list.
- (12)
- (13) Once all pending tasks are readied, `OSQDe1()` marks the ECB as unused and the ECB is returned to the free list of ECBs.
- (14) The scheduler is called only if there were tasks waiting on the queue.
- (15) Again, you will note that `OSQDe1()` returns a NULL pointer since, at this point, the queue should no longer be accessed through the original pointer.

Waiting for a message at a queue (blocking), OSQPend()

The code to wait for a message to arrive at a queue is shown in Listing 11.3.

```

void *OSQPend (OS_EVENT *pevent, INT16U timeout, INT8U *err)
{
    #if OS_CRITICAL_METHOD == 3
        OS_CPU_SR cpu_sr;
    #endif
    void *msg;
    OS_Q *pq;

    if (OSIntNesting > 0) {
        *err = OS_ERR_PEND_ISR;
        return ((void *)0);
    }
    #if OS_ARG_CHK_EN > 0
        if (pevent == (OS_EVENT *)0) {
            *err = OS_ERR_PEVENT_NULL;
            return ((void *)0);
        }
        if (pevent->OSEventType != OS_EVENT_TYPE_Q) {
            *err = OS_ERR_EVENT_TYPE;
            return ((void *)0);
        }
    #endif
    OS_ENTER_CRITICAL();
    pq = (OS_Q *)pevent->OSEventPtr;
    if (pq->OSQEntries > 0) {
        msg = *pq->OSQOut++;
        pq->OSQEntries--;
        if (pq->OSQOut == pq->OSQEnd) {
            pq->OSQOut = pq->OSQStart;
        }
        OS_EXIT_CRITICAL();
        *err = OS_NO_ERR;
        return (msg);
    }
    OSTCBCur->OSTCBStat |= OS_STAT_Q;
    OSTCBCur->OSTCBDly = timeout;
    OS_EventTaskWait(pevent);
    OS_EXIT_CRITICAL();
    OS_Sched();
    OS_ENTER_CRITICAL();
    msg = OSTCBCur->OSTCBMsg;
    if (msg != (void *)0) {
        OSTCBCur->OSTCBMsg = (void *)0;
        OSTCBCur->OSTCBStat = OS_STAT_RDY;
        OSTCBCur->OSTCBEventPtr = (OS_EVENT *)0;
        OS_EXIT_CRITICAL();
        *err = OS_NO_ERR;
        return (msg);
    }
    OS_EventTO(pevent);
    OS_EXIT_CRITICAL();
    *err = OS_TIMEOUT;
    return ((void *)0);
}

```

Listing - Listing 11.3 Waiting for a message to arrive at a queue.

- (1) It doesn't make sense to call OSQPend() from an ISR because an ISR cannot be made to wait. Instead, you should call OSQAccept() (see section 11.06).

- (2)
- (3) If `OS_ARG_CHK_EN` (see `OS_CFG.H`) is set to 1, `OSQPend()` verifies that `pevent` is not a NULL pointer and that the ECB being pointed to by `pevent` has been created by `OSQCreate()`.
- (4)
- (5) A message is available when `.OSQEntries` is greater than 0. In this case, `OSQPend()` gets the message pointed to by the `.OSQOut` field of the queue control block, stores the pointer to the message in `msg`, and moves the `.OSQOut` pointer so that it points to the next entry in the queue.
- (6) `OSQPend()` then decrements the number of entries left in the queue since the previous operation 'consumed' the entry (i.e. removed the oldest message).
- (7)
- (8) Because a message queue is a circular buffer, `OSQPend()` needs to check that `.OSQOut` has not moved past the last valid entry in the array. When this happens, however, `.OSQOut` is adjusted to point back to the beginning of the array.
- (9) The message that was extracted from the queue is then returned to the caller of `OSQPend()`. This is the path you are looking for when calling `OSQPend()`. It also happens to be the fastest path.

If the message queue was empty, the calling task needs to be put to sleep until another task (or an ISR) sends a message through the queue (see section 11.04). `OSQPend()` allows you to specify a timeout value (specified in integral number of ticks) as one of its arguments (i.e., `timeout`). This feature is useful to avoid waiting indefinitely for a message to arrive at the queue. If the timeout value is nonzero, `OSQPend()` suspends the task until the queue receives a message or the specified timeout period expires. Note that a timeout value of 0 indicates that the task is willing to wait forever for a message to arrive.

- (10) To put the calling task to sleep, `OSQPend()` sets the status flag in the task's TCB (Task Control Block) to indicate that the task is suspended waiting for a queue.

- (11) The timeout is also stored in the TCB so that it can be decremented by `OSTimeTick()`. You should recall (see section 3.11, Clock Tick) that `OSTimeTick()` decrements each of the created task's `.OSTCBDly` field if it's nonzero.
- (12) The actual work of putting the task to sleep is done by `OS_EventTaskWait()` [see section 6.06, Making a Task Wait for an Event, `OS_EventTaskWait()`].
- (13) Because the calling task is no longer ready to run, the scheduler is called to run the next highest priority task that is ready to run. As far as your task is concerned, it made a call to `OSQPend()` and it doesn't know that it will be suspended until a message arrives. When the queue receives a message (or the timeout period expires) `OSQPend()` will resume execution immediately after the call to `OS_Sched()`.
- (14) When `OS_Sched()` returns, `OSQPend()` checks to see if a message was placed in the task's TCB by `OSQPost()`.
- (15) If so, the call is successful and the message is returned to the caller.
- (16) If a message is not received then `OS_Sched()` must have returned because of a timeout. The calling task is then removed from the queue wait list by calling `OS_EventTO()`.
- (17) Note that the returned pointer is set to `NULL` because there is no message to return. The calling task should either examine the contents of the return pointer or the return code to determine whether a valid message was received.

Sending a message to a queue (FIFO), `OSQPost()`

The code to deposit a message in a queue is shown in Listing 11.4.

```
INT8U OSQPost (OS_EVENT *pevent, void *msg)
{
    #if OS_CRITICAL_METHOD == 3
        OS_CPU_SR cpu_sr;
    #endif
        OS_Q      *pq;

    #if OS_ARG_CHK_EN > 0
        if (pevent == (OS_EVENT *)0) {           (1)
            return (OS_ERR_PEVENT_NULL);
        }
        if (msg == (void *)0) {                 (2)
            return (OS_ERR_POST_NULL_PTR);
        }
        if (pevent->OSEventType != OS_EVENT_TYPE_Q) { (3)
            return (OS_ERR_EVENT_TYPE);
        }
    #endif
        OS_ENTER_CRITICAL();
        if (pevent->OSEventGrp != 0x00) {        (4)
            OS_EventTaskRdy(pevent, msg, OS_STAT_Q); (5)
            OS_EXIT_CRITICAL();
            OS_Sched();                          (6)
            return (OS_NO_ERR);
        }
        pq = (OS_Q *)pevent->OSEventPtr;
        if (pq->OSQEntries >= pq->OSQSize) {      (7)
            OS_EXIT_CRITICAL();
            return (OS_Q_FULL);
        }
        *pq->OSQIn++ = msg;                      (8)
        pq->OSQEntries++;                        (9)
        if (pq->OSQIn == pq->OSQEnd) {          (10)
            pq->OSQIn = pq->OSQStart;
        }
        OS_EXIT_CRITICAL();
        return (OS_NO_ERR);
}
```

Listing - Listing 11.4 Depositing a message in a queue (FIFO),

- (1)
- (2)
- (3) If OS_ARG_CHK_EN is set to 1 in OS_CFG.H, OSQPost() checks to see that pevent is not a NULL pointer, that the message being posted is also not a NULL pointer and finally, checks to make sure that the ECB is a queue.
- (4) OSQPost() then checks to see if any task is waiting for a message to arrive at the queue. There are tasks waiting when the .OSEventGrp field in the ECB contains a nonzero value.

- (5) The highest priority task waiting for the message is removed from the wait list by `OS_EventTaskRdy()` [see section 10.02, Making a Task Ready, `OS_EventTaskRdy()`], and this task is made ready to run.
- (6) `OS_Sched()` is then called to see if the task made ready is now the highest priority task ready to run. If it is, a context switch results [only if `OSQPost()` is called from a task] and the readied task is executed. If the readied task is not the highest priority task, `OS_Sched()` returns and the task that called `OSQPost()` continues execution.
- (7) If no task is waiting for a message, the message to post needs to be placed in the queue. In this case, `OSQPost()` makes sure that there is still room in the queue. An error code would be returned if an attempt was made to add a message to an already full queue.
- (8)
- (9) If there are no tasks waiting for a message to arrive at the queue and the queue is not already full then the message to post is inserted in the next free location (FIFO order) and the number of entries in the queue is incremented.
- (10) Finally, `OSQPost()` adjust the circular buffer pointer to prepare for the next post.

Note that a context switch does not occur if `OSQPost()` is called by an ISR because context switching from an ISR only occurs when `OSIntExit()` is called at the completion of the ISR and from the last nested ISR (see section 3.10, Interrupts under µC/OS-II).

Sending a message to a queue (LIFO), `OSQPostFront()`

`OSQPostFront()` is basically identical to `OSQPost()`, except that `OSQPostFront()` uses `.OSQOut` instead of `.OSQIn` as the pointer to the next entry to insert. The code is shown in Listing 11.5.

```
INT8U OSQPostFront (OS_EVENT *pevent, void *msg)
{
    #if OS_CRITICAL_METHOD == 3
        OS_CPU_SR cpu_sr;
    #endif
        OS_Q      *pq;

    #if OS_ARG_CHK_EN > 0
        if (pevent == (OS_EVENT *)0) {
            return (OS_ERR_PEVENT_NULL);
        }
        if (msg == (void *)0) {
            return (OS_ERR_POST_NULL_PTR);
        }
        if (pevent->OSEventType != OS_EVENT_TYPE_Q) {
            return (OS_ERR_EVENT_TYPE);
        }
    #endif
    OS_ENTER_CRITICAL();
    if (pevent->OSEventGrp != 0x00) {
        OS_EventTaskRdy(pevent, msg, OS_STAT_Q);
        OS_EXIT_CRITICAL();
        OS_Sched();
        return (OS_NO_ERR);
    }
    pq = (OS_Q *)pevent->OSEventPtr;
    if (pq->OSQEntries >= pq->OSQSize) {
        OS_EXIT_CRITICAL();
        return (OS_Q_FULL);
    }
    if (pq->OSQOut == pq->OSQStart) {           (1)
        pq->OSQOut = pq->OSQEnd;             (2)
    }
    pq->OSQOut--;                             (3)
    *pq->OSQOut = msg;
    pq->OSQEntries++;
    OS_EXIT_CRITICAL();
    return (OS_NO_ERR);
}
```

Listing - Listing 11.5 Depositing a message in a queue (LIFO),

- (1)
- (2) You should note, however, that .OSQOut points to an already inserted entry, so .OSQOut must be made to point to the previous entry. If .OSQOut points at the beginning of the array, then a decrement really means positioning .OSQOut at the end of the array.
- (3) However, .OSQEnd points to one entry past the array and thus .OSQOut needs to be adjusted to be within range. OSQPostFront() implements a LIFO queue because the next message extracted by OSQPend() is the last message inserted by OSQPostFront().

Sending a message to a queue (FIFO or LIFO), OSQPostOpt()

You can also post a message to a queue using an alternate an more flexible function called `OSQPostOpt()`. The reason there are three post calls is for backwards compatibility with previous versions of μC/OS-II. `OSQPostOpt()` is the newer function and can replace both `OSQPost()` and `OSQPostFront()` with a single call. In addition, `OSQPostOpt()` allows posting a message to all tasks (i.e. broadcast) waiting on the queue. The code to deposit a message in a queue is shown in Listing 11.6.

```
INT8U OSQPostOpt (OS_EVENT *pevent, void *msg, INT8U opt)
{
    #if OS_CRITICAL_METHOD == 3
        OS_CPU_SR cpu_sr;
    #endif
    OS_Q *pq;

    #if OS_ARG_CHK_EN > 0
        if (pevent == (OS_EVENT *)0) { (1)
            return (OS_ERR_PEVENT_NULL);
        }
        if (msg == (void *)0) { (2)
            return (OS_ERR_POST_NULL_PTR);
        }
        if (pevent->OSEventType != OS_EVENT_TYPE_Q) { (3)
            return (OS_ERR_EVENT_TYPE);
        }
    #endif
    OS_ENTER_CRITICAL();
    if (pevent->OSEventGrp != 0x00) { (4)
        if ((opt & OS_POST_OPT_BROADCAST) != 0x00) { (5)
            while (pevent->OSEventGrp != 0x00) { (6)
                OS_EventTaskRdy(pevent, msg, OS_STAT_Q);
            }
        } else {
            OS_EventTaskRdy(pevent, msg, OS_STAT_Q); (7)
        }
        OS_EXIT_CRITICAL();
        OS_Sched(); (8)
        return (OS_NO_ERR);
    }
    pq = (OS_Q *)pevent->OSEventPtr;
    if (pq->OSQEntries >= pq->OSQSize) { (9)
        OS_EXIT_CRITICAL();
        return (OS_Q_FULL);
    }
    if ((opt & OS_POST_OPT_FRONT) != 0x00) { (10)
        if (pq->OSQOut == pq->OSQStart) { (11)
            pq->OSQOut = pq->OSQEnd;
        }
        pq->OSQOut--;
        *pq->OSQOut = msg;
    } else {
        *pq->OSQIn++ = msg; (12)
        if (pq->OSQIn == pq->OSQEnd) {
            pq->OSQIn = pq->OSQStart;
        }
    }
    pq->OSQEntries++; (13)
    OS_EXIT_CRITICAL();
    return (OS_NO_ERR);
}
```

Listing - Listing 11.6 Depositing a message in a queue (Broadcast, FIFO or LIFO),

(1)

(2)

- (3) If `OS_ARG_CHK_EN` is set to 1 in `OS_CFG.H`, `OSQPostOpt()` checks to see that `pevent` is not a NULL pointer, checks that the message being posted is also not a NULL pointer and finally, checks to make sure that the ECB is a queue.
- (4) `OSQPost()` then checks to see if any task is waiting for a message to arrive at the queue. There are tasks waiting when the `.OSEventGrp` field in the ECB contains a nonzero value.
- (5)
- (6) If you set the `OS_POST_OPT_BROADCAST` bit in the `opt` argument then all tasks waiting for a message will receive the message. All tasks waiting for the message are removed from the wait list by `OS_EventTaskRdy()` [see section 10.02, Making a Task Ready, `OS_EventTaskRdy()`]. You should notice that interrupt disable time is proportional to the number of tasks waiting for a message from the queue.
- (7) If a broadcast was not requested then, only the highest priority task waiting for a message will be made ready to run. The highest priority task waiting for the message is removed from the wait list by `OS_EventTaskRdy()`.
- (8) `OS_Sched()` is then called to see if the task made ready is now the highest priority task ready to run. If it is, a context switch results [only if `OSQPostOpt()` is called from a task] and the readied task is executed. If the readied task is not the highest priority task, `OS_Sched()` returns and the task that called `OSQPostOpt()` continues execution.
- (9) If nobody is waiting for a message, the message to post needs to be placed in the queue. In this case, `OSQPostOpt()` makes sure that there is still room in the queue. An error code would be returned if an attempt was made to add a message to an already full queue.
- (10) `OSQPostOpt()` then checks the `opt` argument to see if the calling task desires to post the message in FIFO or LIFO (setting `opt` to `OS_POST_OPT_FRONT`) order.
- (11) If LIFO order is selected, `OSQPostOpt()` emulates `OSQPostFront()`.
- (12) If FIFO order, `OSQPostOpt()` emulates `OSQPost()`.
- (13) In either case, the number of entries in the queue is incremented.

Note that a context switch does not occur if `OSQPostOpt()` is called by an ISR because context switching from an ISR only occurs when `OSIntExit()` is called at the completion of the ISR and from the last nested ISR (see section 3.10, Interrupts under µC/OS-II).

Getting a Message without Waiting, `OSQAccept()`

You can obtain a message from a queue without putting a task to sleep by calling `OSQAccept()` if the queue is empty. The code for this function is shown in Listing 11.7.

```
void *OSQAccept (OS_EVENT *pevent)
{
    #if OS_CRITICAL_METHOD == 3
        OS_CPU_SR  cpu_sr;
    #endif
    void      *msg;
    OS_Q      *pq;

    #if OS_ARG_CHK_EN > 0
        if (pevent == (OS_EVENT *)0) {                (1)
            return ((void *)0);
        }
        if (pevent->OSEventType != OS_EVENT_TYPE_Q) { (2)
            return ((void *)0);
        }
    #endif
    OS_ENTER_CRITICAL();
    pq = (OS_Q *)pevent->OSEventPtr;
    if (pq->OSQEntries > 0) {                          (3)
        msg = *pq->OSQOut++;                          (4)
        pq->OSQEntries--;                             (5)
        if (pq->OSQOut == pq->OSQEnd) {                (6)
            pq->OSQOut = pq->OSQStart;
        }
    } else {
        msg = (void *)0;                             (7)
    }
    OS_EXIT_CRITICAL();
    return (msg);
}
```

Listing - Listing 11.7 Getting a message without waiting (non-blocking),

(1)

- (2) If `OS_ARG_CHK_EN` is set to 1 in `OS_CFG.H`, `OSQAccept()` starts by checking that `pevent` is not a NULL pointer and that the ECB being pointed to by `pevent` has been created by `OSQCreate()`.

- (3) `OSQAccept()` then checks to see if there are any entries in the queue by looking at the `.OSQEntries` queue control block field.
- (4)
- (5) If a message is available, the oldest message (FIFO order) is retrieved from the queue and copied to the local pointer `msg` and the number of entries in the queue is decreased by one to reflect the extraction.
- (6) `OSQAccept()` then adjust the circular queue pointer by moving the `.OSQout` pointer to the next entry.
- (7) If there were no entries in the queue, the local pointer is set to `NULL`.

The code that calls `OSQAccept()` needs to examine the returned value. If `OSQAccept()` returns a `NULL` pointer, then a message was not available. You don't want your application to dereference a `NULL` pointer because, by convention, a `NULL` pointer is invalid. A non-`NULL` pointer indicates that a message pointer is available. An ISR should use `OSQAccept()` instead of `OSQPend()`.

Flushing a Queue, `OSQFlush()`

`OSQFlush()` allows you to remove all the messages posted to a queue and basically start with a fresh queue. The code for this function is shown in Listing 11.8.

```
INT8U OSQFlush (OS_EVENT *pevent)
{
    #if OS_CRITICAL_METHOD == 3
        OS_CPU_SR cpu_sr;
    #endif
        OS_Q      *pq;

    #if OS_ARG_CHK_EN > 0
        if (pevent == (OS_EVENT *)0) {           (1)
            return (OS_ERR_PEVENT_NULL);
        }
        if (pevent->OSEventType != OS_EVENT_TYPE_Q) { (2)
            return (OS_ERR_EVENT_TYPE);
        }
    #endif
    OS_ENTER_CRITICAL();
    pq = (OS_Q *)pevent->OSEventPtr;           (3)
    pq->OSQIn = pq->OSQStart;
    pq->OSQOut = pq->OSQStart;
    pq->OSQEntries = 0;
    OS_EXIT_CRITICAL();
    return (OS_NO_ERR);
}
```

Listing - Listing 11.8 Flushing the contents of a queue.

- (1)
- (2) If OS_ARG_CHK_EN is set to 1 in OS_CFG.H, OSQFlush() starts by checking that pevent is not a NULL pointer and that the ECB being pointed to by pevent has been created by OSQCreate().
- (3) The IN and OUT pointers are reset to the beginning of the array and the number of entries is cleared. I decided to not check to see if any tasks were pending on the queue because it would be irrelevant anyway and would take more processing time. In other words, if tasks are waiting on the queue, then .OSQEntries would already be set to 0. The only difference is that .OSQIn and .OSQOut may be pointing elsewhere in the array. There is also no need to fill the queue with NULL pointers.

Obtaining the Status of a Queue, OSQQuery()

OSQQuery() allows your application to take a snapshot of the contents of a message queue. The code for this function is shown in Listing 11.9. OSQQuery() is passed two arguments: pevent contains a pointer to the message queue, which is returned by OSQCreate() when the queue is created, and pdata is a pointer to a data structure (OS_Q_DATA, see uCOS_II.H) that holds information about the message queue. Your application thus needs to allocate a variable of type OS_Q_DATA that will receive the information about the desired queue. OS_Q_DATA contains the following fields:

- .OSMsg contains the contents pointed to by .OSQout if there are entries in the queue. If the queue is empty, .OSMsg will contain a NULL pointer.
- .OSNMsgs contains the number of messages in the queue (i.e., a copy of .OSQEntries).
- .OSQSize contains the size of the queue (in number of entries).
- .OSEventTbl[]
- .OSEventGrp contain a snapshot of the message queue wait list. The caller to OSQQuery() can thus determine how many tasks are waiting for the queue.

```
INT8U OSQQuery (OS_EVENT *pevent, OS_Q_DATA *pdata)
{
    #if OS_CRITICAL_METHOD == 3
        OS_CPU_SR cpu_sr;
    #endif
    OS_Q      *pq;
    INT8U     *psrc;
    INT8U     *pdest;

    #if OS_ARG_CHK_EN > 0
        if (pevent == (OS_EVENT *)0) {                (1)
            return (OS_ERR_PEVENT_NULL);
        }
        if (pevent->OSEventType != OS_EVENT_TYPE_Q) { (2)
            return (OS_ERR_EVENT_TYPE);
        }
    #endif
    OS_ENTER_CRITICAL();
    pdata->OSEventGrp = pevent->OSEventGrp;           (3)
    psrc               = &pevent->OSEventTbl[0];
    pdest              = &pdata->OSEventTbl[0];
    #if OS_EVENT_TBL_SIZE > 0
        *pdest++       = *psrc++;
    #endif

    #if OS_EVENT_TBL_SIZE > 1
        *pdest++       = *psrc++;
    #endif

    #if OS_EVENT_TBL_SIZE > 2
        *pdest++       = *psrc++;
    #endif

    #if OS_EVENT_TBL_SIZE > 3
        *pdest++       = *psrc++;
    #endif

    #if OS_EVENT_TBL_SIZE > 4
        *pdest++       = *psrc++;
    #endif

    #if OS_EVENT_TBL_SIZE > 5
        *pdest++       = *psrc++;
    #endif

    #if OS_EVENT_TBL_SIZE > 6
        *pdest++       = *psrc++;
    #endif

    #if OS_EVENT_TBL_SIZE > 7
        *pdest          = *psrc;
    #endif
    pq = (OS_Q *)pevent->OSEventPtr;
    if (pq->OSQEntries > 0) {                          (4)
        pdata->OSMsg = *pq->OSQOut;
    } else {
        pdata->OSMsg = (void *)0;
    }
    pdata->OSNmsgs = pq->OSQEntries;                    (5)
    pdata->OSQSize = pq->OSQSize;                       (6)
    OS_EXIT_CRITICAL();
    return (OS_NO_ERR);
}
```

Listing - Listing 11.9 Obtaining the status of a queue.

- (1)
- (2) As always, if `OS_ARG_CHK_EN` is set to 1, `OSQQuery()` checks that `pevent` is not a NULL pointer and that it points to an ECB containing a queue.
- (3) `OSQQuery()` then copies the wait list. You should note that I decided to do the copy as inline code instead of using a loop for performance reasons.
- (4) If the queue is not empty, the oldest message is extracted (but not removed) from the queue and copied to `.OSMsg`. In other words, `OSQQuery()` will not move the `.OSQout` pointer. If there are no messages in the queue, the `.OSMsg` will contain a NULL pointer.
- (5)
- (6) Finally, the current number of entries and the queue size are placed in the `.OSNmsgs` and `.OSQSize` fields of the `OS_Q_DATA` structure, respectively.

Using a Message Queue When Reading Analog Inputs

It is often useful in control applications to read analog inputs at a regular interval. To accomplish this, create a task, call `OSTimeDly()` [see section 5.00, Delaying a Task, `OSTimeDly()`], and specify the desired sampling period.

As shown in Figure 6.11, you could use a message queue instead and have your task pend on the queue with a timeout. The timeout corresponds to the desired sampling period. If no other task sends a message to the queue, the task is resumed after the specified timeout, which basically emulates the `OSTimeDly()` function.

You are probably wondering why I decided to use a queue when `OSTimeDly()` does the trick just fine. By adding a queue, you can have other tasks abort the wait by sending a message, thus forcing an immediate conversion. If you add some intelligence to your messages, you can tell the ADC task to convert a specific channel, tell the task to increase the sampling rate, and

more. In other words, you can say to the task: “Can you convert analog input 3 for me now?” After servicing the message, the task would initiate the pend on the queue, which would restart the scanning process.

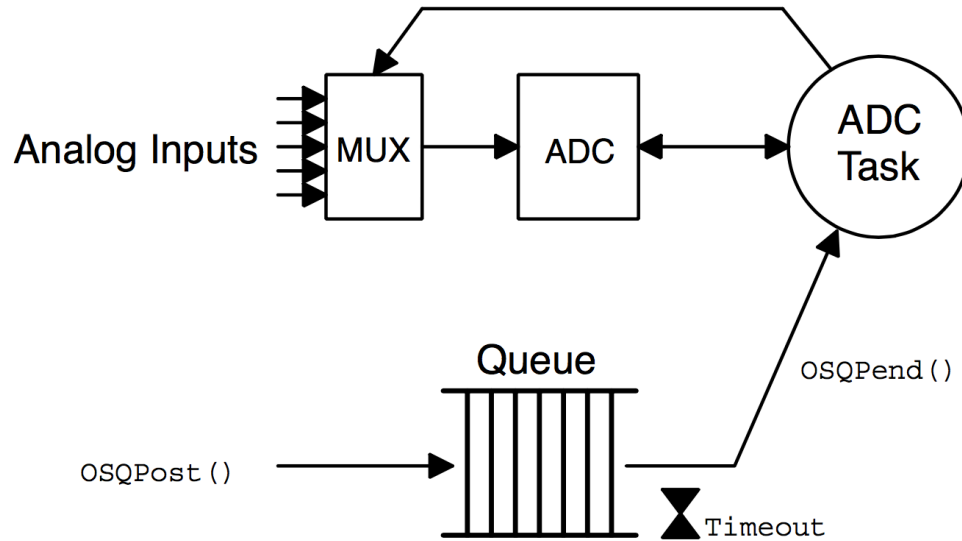


Figure - Figure 11.5 Reading analog inputs

Using a Queue as a Counting Semaphore

A message queue can be used as a counting semaphore by initializing and loading a queue with as many non-NULL pointers [(void *)1 works well] as there are resources available. A task requesting the “semaphore” calls OSQPend() and releases the “semaphore” by calling OSQPost(). Listing 11.10 shows how this works. You can use this technique to conserve code space if your application only needs counting semaphores and message queues (you would then have no need for the semaphore services). In this case, set OS_SEM_EN to 0 and only use queues instead of both queues and semaphores. Note that this technique consumes a pointer-sized variable for each resource that the semaphore is guarding and requires a queue control block. In other words, you are sacrificing RAM space in order to save code space. Also, message queue services are slower than semaphore services. This technique would be very inefficient if your counting semaphore (in this case a queue) is guarding a large amount of resources (you would require a large array of pointers).

```
OS_EVENT *QSem;
void      *QMsgTbl[N_RESOURCES]

void main (void)
{
    OSInit();
    .
    .
    QSem = OSQCreate(&QMsgTbl[0], N_RESOURCES);
    for (i = 0; i < N_RESOURCES; i++) {
        OSQPost(QSem, (void *)1);
    }
    .
    .
    OSTaskCreate(Task1, .., .., ..);
    .
    .
    OSStart();
}

void Task1 (void *pdata)
{
    INT8U err;

    for (;;) {
        OSQPend(&QSem, 0, &err);    /* Obtain access to resource(s)    */
        .
        .    /* Task has semaphore, access resource(s)    */
        .
        OSMQPost(QSem, (void*)1);    /* Release access to resource(s)    */
    }
}
```

Listing - Listing 11.10 Using a queue as a counting semaphore.

Memory Management

Your application can allocate and free dynamic memory using any ANSI C compiler's `malloc()` and `free()` functions, respectively. However, using `malloc()` and `free()` in an embedded real-time system is dangerous because, eventually, you may not be able to obtain a single contiguous memory area due to fragmentation. Fragmentation is the development of a large number of separate free areas (i.e., the total free memory is fragmented into small, non-contiguous pieces). Execution time of `malloc()` and `free()` are also generally nondeterministic because of the algorithms used to locate a contiguous block of free memory.

Memory Management Configuration

µC/OS-II provides an alternative to `malloc()` and `free()` by allowing your application to obtain fixed-sized memory blocks from a partition made of a contiguous memory area, as illustrated in Figure 12.1. All memory blocks are the same size and the partition contains an integral number of blocks. Allocation and deallocation of these memory blocks is done in constant time and is deterministic.

As shown in Figure 12.2, more than one memory partition can exist, so your application can obtain memory blocks of different sizes. However, a specific memory block must be returned to the partition from which it came. This type of memory management is not subject to fragmentation.

To enable µC/OS-II memory management services, you must set configuration constants in `OS_CFG.H`. Specifically, table 12.1 shows which services are compiled based on the value of configuration constants found in `OS_CFG.H`. You should note that NONE of the memory management services are enabled when `OS_MEM_EN` is set to 0. To enable specific features (i.e., service) listed in Table 12.1, simply set the configuration constant to 1. You will notice that `OSMemCreate()`, `OSMemGet()` and `OSMemPut()` cannot be individually disabled like the other services. That's because they are always needed when you enable µC/OS-II memory management.

µC/OS-II Memory Service	Enabled when set to 1 in OS_CFG.H
OSMemCreate()	
OSMemGet()	
OSMemPut()	
OSMemQuery()	OS_MEM_QUERY_EN

Table - Table 12.1 Memory management configuration constants in OS_CFG.H.

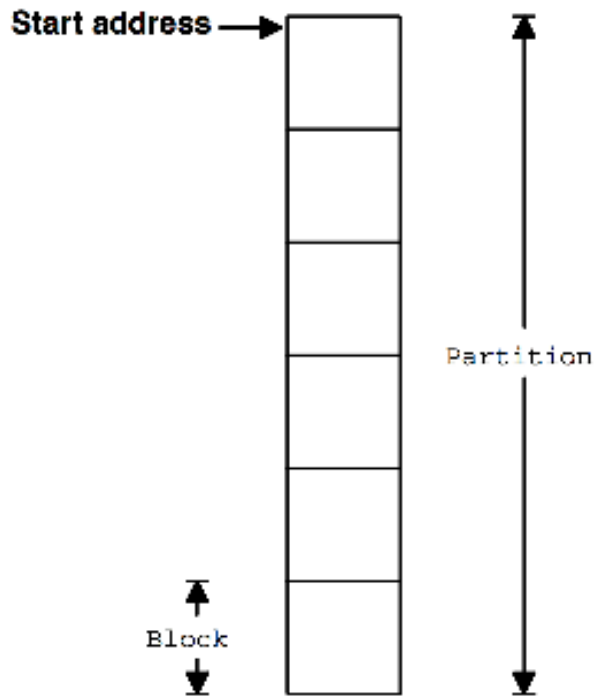


Figure - Figure 12.1 Memory partition.

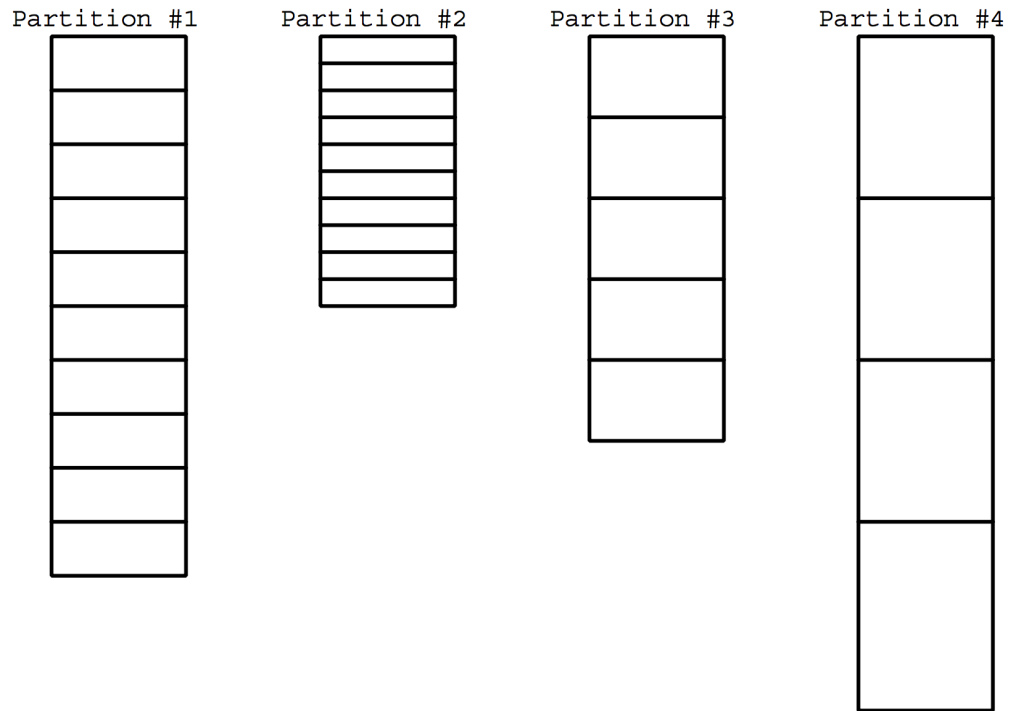


Figure - Figure 12.2 Multiple memory partitions.

Memory Control Blocks

µC/OS-II keeps track of memory partitions through the use of a data structure called a *memory control block* (Listing 12.1). Each memory partition requires its own memory control block.

```
typedef struct {  
    void *OSMemAddr;  
    void *OSMemFreeList;  
    INT32U OSMemBlkSize;  
    INT32U OSMemNBlks;  
    INT32U OSMemNFree;  
} OS_MEM;
```

Listing - Listing 12.1 Memory control block data structure.

.OSMemAddr

is a pointer to the beginning (base) of the memory partition from which memory blocks will be allocated. This field is initialized when you create a partition [see section 12.01, Creating a Partition, `OSMemCreate()`] and is not used thereafter.

.OSMemFreeList

is a pointer used by μC/OS-II to point to either the next free memory control block or to the next free memory block. The use depends on whether the memory partition has been created or not (see section 12.01).

.OSMemBlkSize

determines the size of each memory block in the partition and is a parameter you specify when the memory partition is created (see section 12.01).

.OSMemNBkls

establishes the total number of memory blocks available from the partition. This parameter is specified when the partition is created (see section 12.01).

.OSMemNFree

is used to determine how many memory blocks are available from the partition.

μC/OS-II initializes the memory manager if you configure `OS_MEM_EN` to 1 in `OS_CFG.H`. Initialization is done by `OS_MemInit()` [called by `OSInit()`] and consists of creating a linked list of memory control blocks, as shown in Figure 12.3. You specify the maximum number of memory partitions with the configuration constant `OS_MAX_MEM_PART` (see `OS_CFG.H`), which must be set at least to 2.

As you can see, the `OSMemFreeList` field of the control block is used to chain the free control blocks.

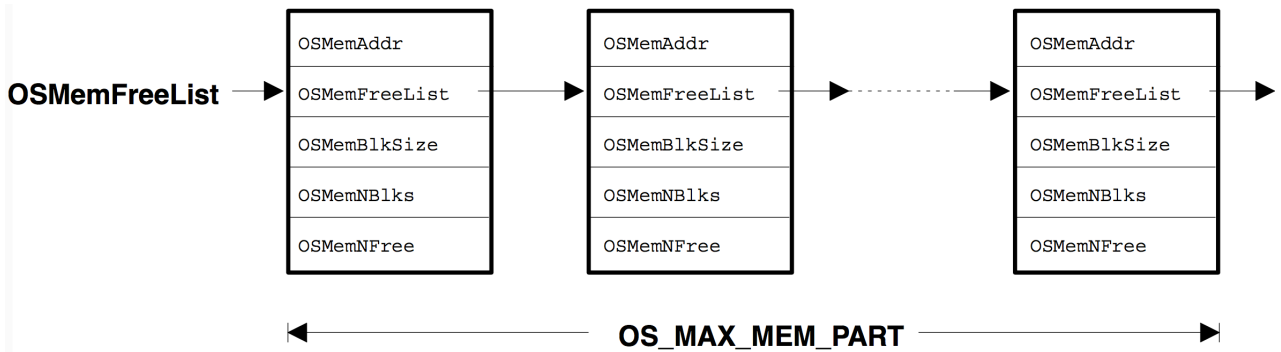


Figure - Figure 12.3 List of free memory control blocks.

Creating a Partition, OSMemCreate()

Your application must create each partition before it can be used and is this done by calling `OSMemCreate()`. Listing 12.2 shows how you could create a memory partition containing 100 blocks of 32 bytes each. Some processors like to have memory aligned on either 16 or 32-bit boundaries. To accommodate these processors, you could declare the memory partitions as:

```
INT16U CommTxPart[100][16];
```

or,

```
INT32U CommTxPart[100][8];
```

```
OS_MEM *CommTxBuf;
INT8U  CommTxPart[100][32];

void main (void)
{
    INT8U err;

    OSInit();
    .
    .
    CommTxBuf = OSMemCreate(CommTxPart, 100, 32, &err);
    .
    .
    OSStart();
}
```

Listing - Listing 12.2 Creating a memory partition.

The code to create a memory partition is shown in Listing 12.3. `OSMemCreate()` requires four

arguments: the beginning address of the memory partition, the number of blocks to be allocated from this partition, the size (in bytes) of each block, and a pointer to a variable that contains an error code. `OSMemCreate()` returns a NULL pointer if `OSMemCreate()` fails. On success, `OSMemCreate()` returns a pointer to the allocated memory control block. This pointer must be used in subsequent calls to memory management services [see `OSMemGet()` , `OSMemPut()` , and `OSMemQuery()` in sections 12.02 through 12.04].

```
OS_MEM *OSMemCreate (void *addr, INT32U nblks, INT32U blksize, INT8U *err)
{
    #if OS_CRITICAL_METHOD == 3
        OS_CPU_SR cpu_sr;
    #endif
    OS_MEM *pmem;
    INT8U *pblk;
    void **plink;
    INT32U i;

    #if OS_ARG_CHK_EN > 0
        if (addr == (void *)0) { (1)
            *err = OS_MEM_INVALID_ADDR;
            return ((OS_MEM *)0);
        }
        if (nblks < 2) { (2)
            *err = OS_MEM_INVALID_BLKS;
            return ((OS_MEM *)0);
        }
        if (blksize < sizeof(void *)) { (3)
            *err = OS_MEM_INVALID_SIZE;
            return ((OS_MEM *)0);
        }
    #endif
    OS_ENTER_CRITICAL();
    pmem = OSMemFreeList; (4)
    if (OSMemFreeList != (OS_MEM *)0) {
        OSMemFreeList = (OS_MEM *)OSMemFreeList->OSMemFreeList;
    }
    OS_EXIT_CRITICAL();
    if (pmem == (OS_MEM *)0) { (5)
        *err = OS_MEM_INVALID_PART;
        return ((OS_MEM *)0);
    }
    plink = (void **)addr; (6)
    pblk = (INT8U *)addr + blksize;
    for (i = 0; i < (nblks - 1); i++) {
        *plink = (void *)pblk;
        plink = (void **)pblk;
        pblk = pblk + blksize;
    }
    *plink = (void *)0;
    OS_ENTER_CRITICAL();
    pmem->OSMemAddr = addr; (7)
    pmem->OSMemFreeList = addr;
    pmem->OSMemNFree = nblks;
    pmem->OSMemNBlks = nblks;
    pmem->OSMemBlkSize = blksize;
    OS_EXIT_CRITICAL();
    *err = OS_NO_ERR;
    return (pmem); (8)
}
```

Listing - Listing 12.3

- (1) You must pass a valid pointer to the memory allocated that will be used as a partition.
- (2) Each memory partition must contain at least two memory blocks.

- (3) Each memory block must be able to hold the size of a pointer because a pointer is used to chain all the memory blocks together.
- (4) Next, `OSMemCreate()` obtains a memory control block from the list of free memory control blocks. The memory control block contains run-time information about the memory partition.
- (5) `OSMemCreate()` cannot create a memory partition unless a memory control block is available.
- (6) If a memory control block is available and all the previous conditions are satisfied, the memory blocks within the partition are linked together in a singly linked list. A singly linked list is used because insertion and removal of elements in the list is always done from the head of the list.
- (7) When all the blocks are linked, the memory control block is filled with information about the partition.
- (8) `OSMemCreate()` returns the pointer to the memory control block so it can be used in subsequent calls to access the memory blocks from this partition.

Figure 12.4 shows how the data structures look when `OSMemCreate()` completes successfully. Note that the memory blocks are shown linked one after the other. At run time, as you allocate and deallocate memory blocks, the blocks will most likely not be in the same order.

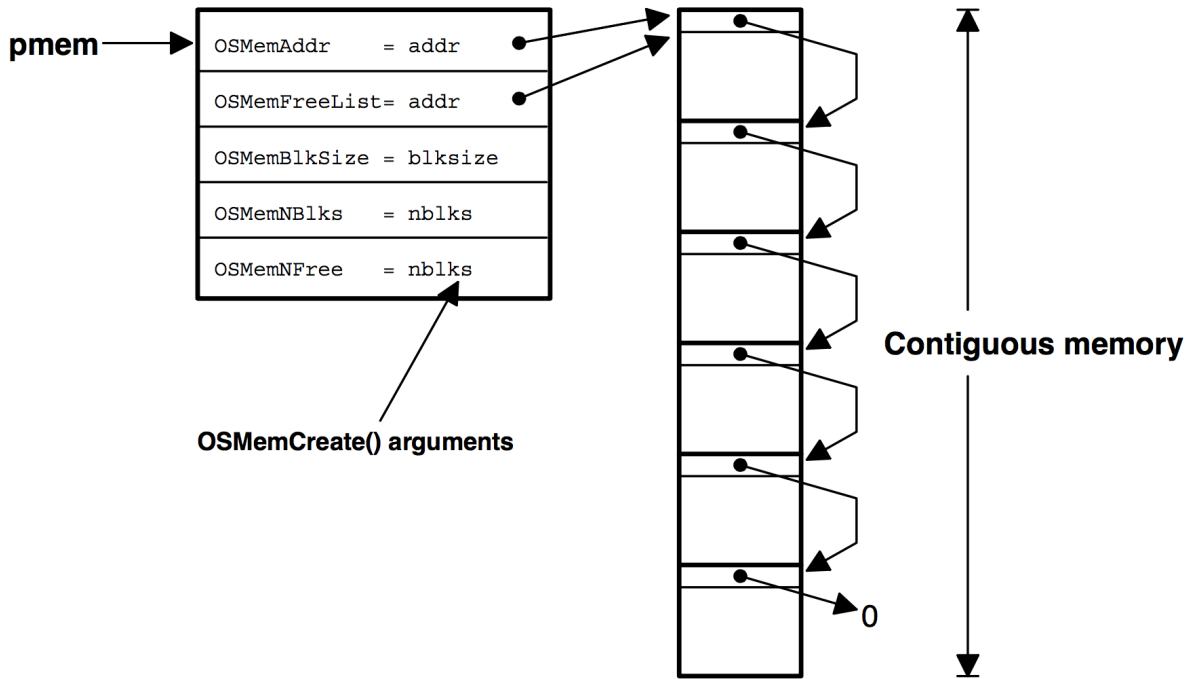


Figure - Figure 12.4 Memory partition created by `OSMemCreate()`.

Obtaining a Memory Block, `OSMemGet()`

Your application can get a memory block from one of the created memory partitions by calling `OSMemGet()`. You must use the pointer returned by `OSMemCreate()` in the call to `OSMemGet()` to specify which partition the memory block will come from. Obviously, your application needs to know how big the memory block obtained is so that it doesn't exceed its storage capacity. In other words, you must not use more memory than is available from the memory block. For example, if a partition contains 32-byte blocks, then your application can use up to 32 bytes. When you are done using the block, you must return it to the proper memory partition [see section 12.03, Returning a Memory Block, `OSMemPut()`].

Listing 12.4 shows the code for `OSMemGet()`.

```
void *OSMemGet (OS_MEM *pmem, INT8U *err)          (1)
{
  #if OS_CRITICAL_METHOD == 3
    OS_CPU_SR cpu_sr;
  #endif
  void *pblk;

  #if OS_ARG_CHK_EN > 0
    if (pmem == (OS_MEM *)0) {                    (2)
      *err = OS_MEM_INVALID_PMEM;
      return ((OS_MEM *)0);
    }
  #endif
  OS_ENTER_CRITICAL();
  if (pmem->OSMemNFree > 0) {                      (3)
    pblk = pmem->OSMemFreeList;                   (4)
    pmem->OSMemFreeList = *(void **)pblk;         (5)
    pmem->OSMemNFree--;                            (6)
    OS_EXIT_CRITICAL();
    *err = OS_NO_ERR;
    return (pblk);                                (7)
  }
  OS_EXIT_CRITICAL();
  *err = OS_MEM_NO_FREE_BLK;
  return ((void *)0);
}
```

Listing - Listing 12.4 - OSMemGet()

- (1) The pointer passed to OSMemGet() specifies the partition from which you want to get a memory block.
- (2) If you enabled argument checking (i.e. OS_ARG_CHK_EN is set in OS_CFG.H) then OSMemGet() makes sure that you didn't pass a NULL pointer instead of a pointer to a partition. Unfortunately, OSMemGet() doesn't know whether a non-NULL is actually pointing to a valid partition (pmem could point to anything).
- (3) OSMemGet() checks to see if there are free blocks available.
- (4) If a block is available, it is removed from the free list.
- (5)
- (6) The free list is then updated so that it points to the next free memory block, and the number of blocks is decremented, indicating that it has been allocated.
- (7) The pointer to the allocated block is finally returned to your application.

Note that you can call this function from an ISR because, if a memory block is not available, there is no waiting and the ISR simply receives a NULL pointer.

Returning a Memory Block, OSMemPut()

When your application is done with a memory block, it must be returned to the appropriate partition. This is accomplished by calling `OSMemPut()`. You should note that `OSMemPut()` has no way of knowing whether the memory block returned to the partition belongs to that partition. In other words, if you allocate a memory block from a partition containing blocks of 32 bytes, then you should not return this block to a memory partition containing blocks of 120 bytes. The next time an application requests a block from the 120-byte partition, it will only get 32 valid bytes; the remaining 88 bytes may belong to some other task(s). This could certainly make your system crash.

Listing 12.5 shows the code for `OSMemPut()`.

```
INT8U OSMemPut (OS_MEM *pmem, void *pblk)           (1)
{
  #if OS_CRITICAL_METHOD == 3
    OS_CPU_SR cpu_sr;
  #endif

  #if OS_ARG_CHK_EN > 0
    if (pmem == (OS_MEM *)0) {                       (2)
      return (OS_MEM_INVALID_PMEM);
    }
    if (pblk == (void *)0) {
      return (OS_MEM_INVALID_PBLK);
    }
  #endif
  OS_ENTER_CRITICAL();
  if (pmem->OSMemNFree >= pmem->OSMemNBlks) {       (3)
    OS_EXIT_CRITICAL();
    return (OS_MEM_FULL);
  }
  *(void **)pblk = pmem->OSMemFreeList;            (4)
  pmem->OSMemFreeList = pblk;
  pmem->OSMemNFree++;                               (5)
  OS_EXIT_CRITICAL();
  return (OS_NO_ERR);
}
```

Listing - Listing 12.5

- (1) You pass `OSMemPut()` the address of the memory control block (`pmem`) to which the

memory block belongs (pblk).

- (2) `OSMemPut()` then checks that the pointers being passed to the function are non-NULL. Unfortunately, `OSMemPut()` doesn't know for whether the block returned actually belongs to the partition. It is assumed that your application will be returning the block to its proper place.
- (3) Next, we check to see that the memory partition is not already full. This situation would certainly indicate that something went wrong during the allocation/deallocation process. Indeed, you are returning a block to a partition which 'thinks' it has all of its blocks already returned to it.
- (4) If the memory partition can accept another memory block, it is inserted into the linked list of free blocks.
- (5) Finally, the number of memory blocks in the memory partition is incremented.

Obtaining Status of a Memory Partition, `OSMemQuery()`

`OSMemQuery()` is used to obtain information about a memory partition. Specifically, your application can determine how many memory blocks are free, how many memory blocks have been used (i.e., allocated), the size of each memory block (in bytes), etc. This information is placed in a data structure called `OS_MEM_DATA`, as shown in Listing 12.6.

```
typedef struct {
    void *OSAddr; /* Points to beginning address of memory partition */
    void *OSFreeList; /* Points to beginning of free list of memory blocks */
    INT32U OSBlkSize; /* Size (in bytes) of each memory block */
    INT32U OSNBlks; /* Total number of blocks in the partition */
    INT32U OSNFree; /* Number of memory blocks free */
    INT32U OSNUsed; /* Number of memory blocks used */
} OS_MEM_DATA;
```

Listing - Listing 12.6 Data structure used to obtain status from a partition.

The code for `OSMemQuery()` is shown in Listing 12.7.

```
INT8U OSMemQuery (OS_MEM *pmem, OS_MEM_DATA *pdata)
{
    #if OS_CRITICAL_METHOD == 3
        OS_CPU_SR cpu_sr;
    #endif

    #if OS_ARG_CHK_EN > 0
        if (pmem == (OS_MEM *)0) {
            return (OS_MEM_INVALID_PMEM);
        }
        if (pdata == (OS_MEM_DATA *)0) {
            return (OS_MEM_INVALID_PDATA);
        }
    #endif
    OS_ENTER_CRITICAL();
    pdata->OSAddr      = pmem->OSMemAddr;
    pdata->OSFreeList  = pmem->OSMemFreeList;
    pdata->OSBlkSize   = pmem->OSMemBlkSize;
    pdata->OSNBlks     = pmem->OSMemNBlks;
    pdata->OSNFree     = pmem->OSMemNFree;
    OS_EXIT_CRITICAL();
    pdata->OSNUsed     = pdata->OSNBlks - pdata->OSNFree;
    return (OS_NO_ERR);
}
```

Listing - Listing 12.7

- (1) As usual, we start off by checking the arguments passed to the function.
- (2) All the fields found in OS_MEM are copied to the OS_MEM_DATA data structure with interrupts disabled. This ensures that the fields will not be altered until they are all copied.
- (3) You should also notice that computation of the number of blocks used is performed outside of the critical section because it's done using the local copy of the data.

Using Memory Partitions

Figure 12.5 shows an example of how you can use the dynamic memory allocation feature of µC/OS-II, as well as its message-passing capability (see Chapter 11). Also, refer to Listing 12.8 for the pseudocode of the two tasks shown. The numbers in parenthesis in Figure 12.5 correspond to the appropriate action in Listing 12.8.

The first task reads and checks the value of analog inputs (pressures, temperatures, voltages) and sends a message to the second task if any of the analog inputs exceed a threshold. The

message sent contains a time stamp, information about which channel had the error, an error code, an indication of the severity of the error, and any other information you can think of.

Error handling in this example is centralized. This means that other tasks, or even ISRs, can post error messages to the error-handling task. The error-handling task could be responsible for displaying error messages on a monitor (a display), logging errors to a disk, or dispatching other tasks that could take corrective actions based on the error.

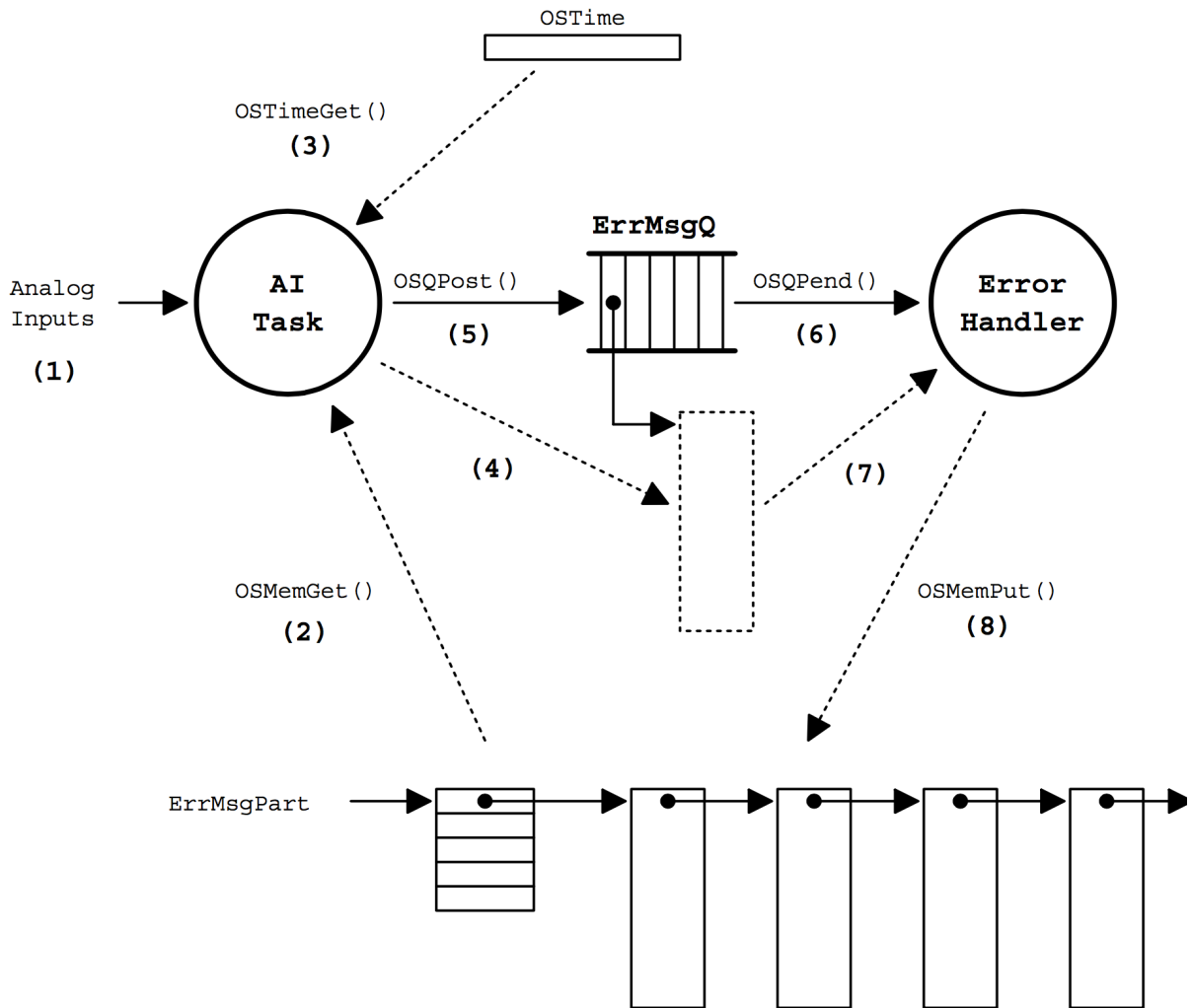


Figure - Figure 12.5 Using dynamic memory allocation.

```
AnalogInputTask()
{
    for (;;) {
        for (all analog inputs to read) {
            Read analog input;                                (1)
            if (analog input exceeds threshold) {
                Get memory block;                            (2)
                Get current system time (in clock ticks);    (3)
                Store the following items in the memory block: (4)
                    System time (i.e. a time stamp);
                    The channel that exceeded the threshold;
                    An error code;
                    The severity of the error;
                    Etc.
                Post the error message to error queue;      (5)
                    (A pointer to the memory block containing the data)
            }
        }
        Delay task until it's time to sample analog inputs again;
    }
}

ErrorHandlerTask()
{
    for (;;) {
        Wait for message from error queue;                  (6)
        (Gets a pointer to a memory block containing information
         about the error reported)
        Read the message and take action based on error reported; (7)
        Return the memory block to the memory partition;    (8)
    }
}
```

Listing - Listing 12.8 Scanning analog inputs and reporting errors.

Waiting for Memory Blocks from a Partition

Sometimes it's useful to have a task wait for a memory block in case a partition runs out of blocks. µC/OS-II doesn't support "pending" on partitions, but you can support this requirement by adding a counting semaphore (see Chapter 7, Semaphores) to guard the memory partition. To obtain a memory block, simply obtain a semaphore then call `OSMemGet()`. To release a block, simply return the block back to its partition and post to the semaphore. The whole process is shown in Listing 12.9.

```
OS_EVENT *SemaphorePtr;           (1)
OS_MEM *PartitionPtr;
INT8U Partition[100][32];
OS_STK TaskStk[1000];

void main (void)
{
    INT8U err;

    OSInit();                       (2)
    .
    .
    SemaphorePtr = OSSemCreate(100);  (3)
    PartitionPtr = OSMemCreate(Partition, 100, 32, &err); (4)
    .
    OSTaskCreate(Task, (void *)0, &TaskStk[999], &err); (5)
    .
    OSStart();                       (6)
}

void Task (void *pdata)
{
    INT8U err;
    INT8U *pblock;

    for (;;) {
        OSSemPend(SemaphorePtr, 0, &err); (7)
        pblock = OSMemGet(PartitionPtr, &err); (8)
        .
        . /* Use the memory block */
        .
        OSMemPut(PartitionPtr, pblock); (9)
        OSSemPost(SemaphorePtr); (10)
    }
}
```

Listing - Listing 12.9 Waiting for memory blocks from a partition.

- (1) First, declare your system objects. Note that I used hard-coded constants for clarity. You would certainly create #define constants in a real application.
- (2)
- (3) Initialize µC/OS-II by calling OSInit() then create a semaphore with an initial count corresponding to the number of blocks in the partition.
- (4) Next, create the partition and one of the tasks that will be accessing the partition.
- (5) By now, you should be able to figure out what you need to do to add the other tasks. It would obviously not make much sense to use a semaphore if only one task is using

memory blocks — there would be no need to ensure mutual exclusion! In fact, it wouldn't even make sense to use partitions unless you intend to share memory blocks with other tasks.

- (6) Multitasking is then started by calling `OSStart()`.
- (7)
- (8) When the task executes, it obtains a memory block only if a semaphore is available. Once the semaphore is available, the memory block is obtained. There is no need to check for an error code from `OSSemPend()` because the only way μC/OS-II will return to this task is if a memory block is released because a timeout of 0 is specified. Also, you don't need the error code from `OSMemGet()` for the same reason — you must have at least one block in the partition in order for the task to resume.
- (9)
- (10) When the task is finished with a memory block, it simply returns it to the partition and signals the semaphore.

Porting μC/OS-II

This chapter describes in general terms what needs to be done in order to adapt μC/OS-II to different processors. Adapting a real-time kernel to a microprocessor or a microcontroller is called a *port*. Most of μC/OS-II is written in C for portability; however, it is still necessary to write some processor-specific code in C and assembly language. Specifically, μC/OS-II manipulates processor registers, which can only be done through assembly language. Porting μC/OS-II to different processors is relatively easy because μC/OS-II was designed to be portable. If you already have a port for the processor you are intending to use, you don't need to read this chapter, unless of course you want to know how μC/OS-II processor-specific code works.

μC/OS-II Hardware/Software Architecture

A processor can run μC/OS-II if it satisfies the following general requirements:

1. The processor has a C compiler that generates reentrant code.
2. Interrupts can be disabled and enabled from C.
3. The processor supports interrupts and can provide an interrupt that occurs at regular intervals (typically between 10 and 100Hz).
4. The processor supports a hardware stack that can accommodate a fair amount of data (possibly many kilobytes).
5. The processor has instructions to load and store the stack pointer and other CPU registers, either on the stack or in memory.

Processors like the Motorola 6805 series do not satisfy requirements number 4 and 5, so μC/OS-II cannot run on such processors.

Figure 13.1 shows the μC/OS-II architecture and its relationship with the hardware. When you use μC/OS-II in an application, you are responsible for providing the Application Software and the μC/OS-II Configuration sections. This book and companion CD contains all the source code for the Processor-Independent Code section as well as the Processor-Specific Code

section for the Intel 80x86, real mode, large model. If you intend to use µC/OS-II on a different processor, you need to either obtain a copy of a port for the processor you intend to use or write one yourself if the desired processor port has not already been ported. Check the Micrium Web site at www.micrium.com for a list of available ports. In fact, you may want to look at other ports and learn from the experience of others.

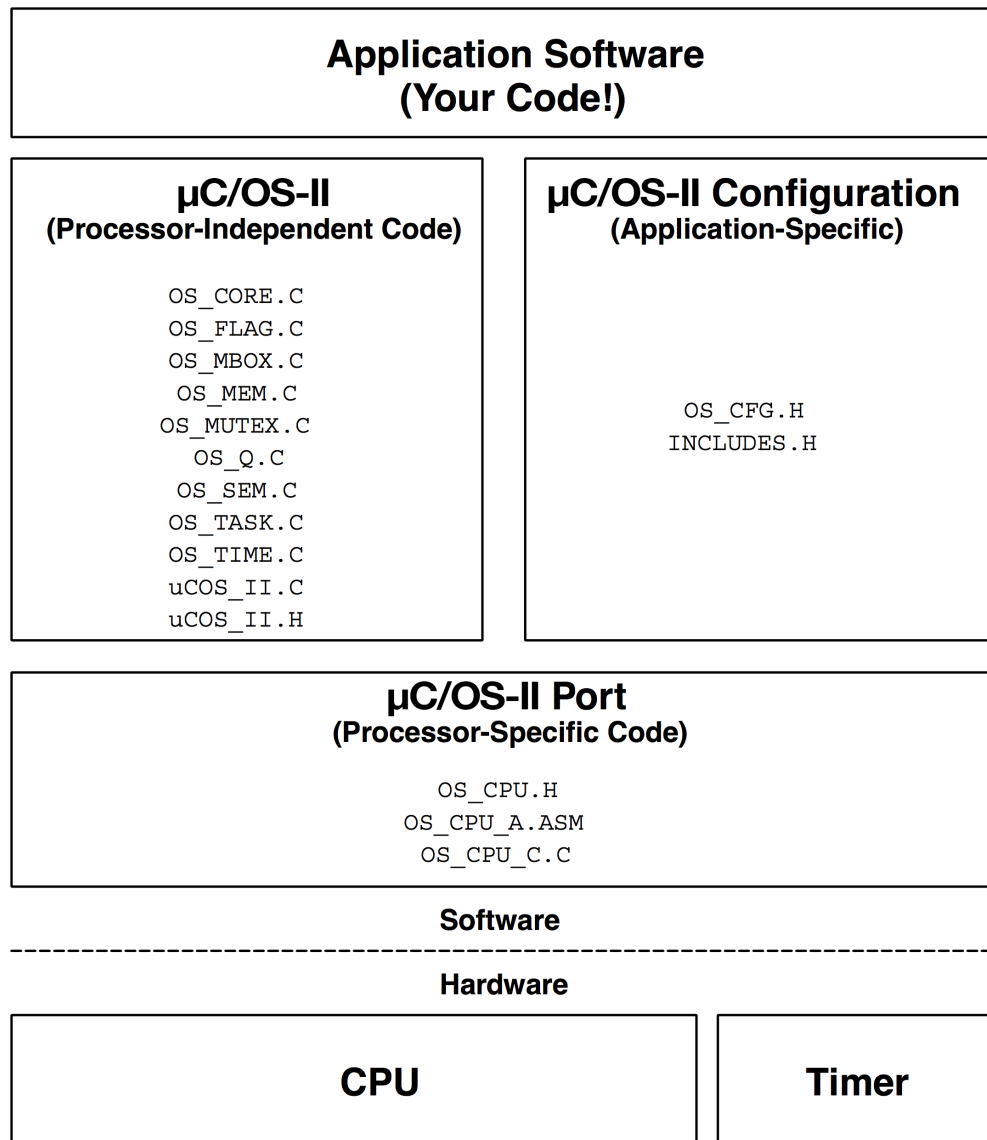


Figure - Figure 13.1 µC/OS-II hardware/software architecture.

Porting µC/OS-II is actually quite straightforward once you understand the subtleties of the target processor and the C compiler you are using. Depending on the processor, a port can consist of writing or changing between 50 and 300 lines of code and could take anywhere from

a few hours to about a week to accomplish. The easiest thing to do, however, is to modify an existing port from a processor that is similar to the one you intend to use. Table 3.1 summarizes the code you will have to write or modify. I decided to add a column which indicates the relative complexity involved: 1 means easy, 2 means average and 3 means more complicated.

Name	Type	File	C or Assembly?	Complexity
BOOLEAN	Data Type	OS_CPU.H	C	1
INT8U	Data Type	OS_CPU.H	C	1
INT8S	Data Type	OS_CPU.H	C	1
INT16U	Data Type	OS_CPU.H	C	1
INT16S	Data Type	OS_CPU.H	C	1
INT32U	Data Type	OS_CPU.H	C	1
INT32S	Data Type	OS_CPU.H	C	1
FP32	Data Type	OS_CPU.H	C	1
FP64	Data Type	OS_CPU.H	C	1
OS_STK	Data Type	OS_CPU.H	C	2
OS_CPU_SR	Data Type	OS_CPU.H	C	2
OS_CRITICAL_METHOD	#define	OS_CPU.H	C	3
OS_STK_GROWTH	#define	OS_CPU.H	C	1
OS_ENTER_CRITICAL()	Macro	OS_CPU.H	C	3
OS_EXIT_CRITICAL()	Macro	OS_CPU.H	C	3
OSStartHighRdy()	Function	OS_CPU_A.ASM	Assembly	2
OSCtxSw()	Function	OS_CPU_A.ASM	Assembly	3
OSIntCtxSw()	Function	OS_CPU_A.ASM	Assembly	3
OSTickISR()	Function	OS_CPU_A.ASM	Assembly	3
OSTaskStkInit()	Function	OS_CPU_C.C	C	3
OSInitHookBegin()	Function	OS_CPU_C.C	C	1
OSInitHookEnd()	Function	OS_CPU_C.C	C	1
OSTaskCreateHook()	Function	OS_CPU_C.C	C	1
OSTaskDelHook()	Function	OS_CPU_C.C	C	1
OSTaskSwHook()	Function	OS_CPU_C.C	C	1
OSTaskStatHook()	Function	OS_CPU_C.C	C	1
OSTCBInitHook()	Function	OS_CPU_C.C	C	1
OSTimeTickHook()	Function	OS_CPU_C.C	C	1
OSTaskIdleHook()	Function	OS_CPU_C.C	C	1

Table - Table 13.1, Port Summary

Development Tools

As previously stated, because μC/OS-II is written mostly in ANSI C, you need an ANSI C compiler for the processor you intend to use. Also, because μC/OS-II is a preemptive kernel, you should only use a C compiler that generates reentrant code.

Your tools should also include an assembler because some of the port requires to save and restore CPU registers which are generally not accessible from C. However, some C compilers do have extensions that allow you to manipulate CPU registers directly from C or, allow you to write in-line assembly language statements.

Most C compilers designed for embedded systems also include a linker and a locator. The linker is used to combine object files (compiled and assembled files) from different modules while the locator, allows you to place the code and data anywhere in the memory map of the target processor.

Your C compiler must also provide a mechanism to disable and enable interrupts from C. Some compilers allow you to insert in-line assembly language statements into your C source code. This makes it quite easy to insert the proper processor instructions to enable and disable interrupts. Other compilers actually contain language extensions to enable and disable interrupts directly from C.

Directories and Files

The installation program provided on the distribution diskette installs μC/OS-II and the port for the Intel 80x86 (real mode, large model) on your hard disk. I devised a consistent directory structure that allows you to find the files for the desired target processor easily. If you add a port for another processor, you should consider following the same conventions.

All ports should be placed under \SOFTWARE\UCOS-II on your hard drive. You should note that I don't specify which disk drive these files should reside; I leave this up to you. The source code for each microprocessor or microcontroller port must be found in either two or three files: OS_CPU.H, OS_CPU_C.C, and, optionally, OS_CPU_A.ASM. The assembly language file is optional because some compilers allow you to have in-line assembly language, so you can place the needed assembly language code directly in OS_CPU_C.C. The directory in which the port is located determines which processor you are using. Examples of directories where different ports would be stored are shown in the Table 13.2. Note that each directory contains the same

filenames, even though they have totally different targets. Also, the directory structure accounts for different C compilers. For example, the µC/OS-II port files for the Paradigm C (see www.DevTools.com) compiler would be placed in a Paradigm sub-directory. Similarly, the port files for the Borland C (see www.Borland.com) compiler V4.5 would be placed in a BC45 sub-directory. The port files for other processors such as the Motorola 68HC11 processor using a COSMIC compiler (see www.Cosmic-US.com) would be placed as shown in Table 13.2.

Intel/AMD 80186	\SOFTWARE\uCOS-II\Ix86L\PARADIGM \OS_CPU.H \OS_CPU_A.ASM \OS_CPU_C.C \SOFTWARE\uCOS-II\Ix86L\BC45 \OS_CPU.H \OS_CPU_A.ASM \OS_CPU_C.C
Motorola 68HC11	\SOFTWARE\uCOS-II\68HC11\COSMIC \OS_CPU.H \OS_CPU_A.ASM \OS_CPU_C.C

Table - Table 13.2, Examples of Port Directories

INCLUDES.H

As mentioned in Chapter 1, INCLUDES.H is a master include file found at the top of all .C files:

```
#include "includes.h"
```

INCLUDES.H allows every .C file in your project to be written without concern about which header file will actually be needed. The only drawback to having a master include file is that INCLUDES.H may include header files that are not pertinent to the actual .C file being compiled. This means that each file will require extra time to compile. This inconvenience is offset by code portability. I assume that you would have an INCLUDES.H in each project that uses µC/OS-II. You can thus edit the INCLUDES.H file that I provide to add your own header files, but your header files should be added at the end of the list. INCLUDES.H is not actually considered part of a port but, I decided to mention it here because every µC/OS-II file assumes it.

OS_CPU.H

OS_CPU.H contains processor- and implementation-specific #defines constants, macros, and typedefs. The general layout of OS_CPU.H is shown in Listing 13.1.

```
/*
*****
*
*           DATA TYPES
*           (Compiler Specific)
*****
*/

typedef unsigned char  BOOLEAN;                               (1)
typedef unsigned char  INT8U;    /* Unsigned  8 bit quantity */
typedef signed  char   INT8S;    /* Signed  8 bit quantity */
typedef unsigned int   INT16U;   /* Unsigned 16 bit quantity */
typedef signed  int    INT16S;   /* Signed  16 bit quantity */
typedef unsigned long  INT32U;   /* Unsigned 32 bit quantity */
typedef signed  long   INT32S;   /* Signed  32 bit quantity */
typedef float          FP32;     /* Single precision floating point */ (2)
typedef double         FP64;     /* Double precision floating point */

typedef unsigned int   OS_STK;    /* Each stack entry is 16-bit wide */ (3)
typedef unsigned short OS_CPU_SR; /* Define size of CPU status register */ (4)

/*
*****
*
*           Processor Specifics
*****
*/
#define OS_CRITICAL_METHOD  ?? (5)

#if OS_CRITICAL_METHOD == 1
#define OS_ENTER_CRITICAL()  ???? (6)
#define OS_EXIT_CRITICAL()  ????
#endif

#if OS_CRITICAL_METHOD == 2
#define OS_ENTER_CRITICAL()  ???? (7)
#define OS_EXIT_CRITICAL()  ????
#endif

#if OS_CRITICAL_METHOD == 3
#define OS_ENTER_CRITICAL()  ???? (8)
#define OS_EXIT_CRITICAL()  ????
#endif

#define OS_STK_GROWTH      1      /* Stack growth (0=Up, 1=Down) */ (9)
#define OS_TASK_SW()      ???? (10)
```

Listing - Listing 13.1

Compiler-Specific Data Types

Because different microprocessors have different word lengths, the port of µC/OS-II includes a series of type definitions that ensures portability. Specifically, µC/OS-II code never makes use of C's short, int, and long data types because they are inherently nonportable.

To complete the data type section, you simply need to consult your compiler documentation and find the standard C data types that correspond to the types expected by µC/OS-II.

- (1) Instead, I defined integer data types that are both portable and intuitive. The INT16U data type, for example, always represents a 16-bit unsigned integer. µC/OS-II and your application code can now assume that the range of values for variables declared with this type is from 0 to 65,535. A µC/OS-II port to a 32-bit processor could mean that an INT16U is actually declared as an unsigned short instead of an unsigned int. Where µC/OS-II is concerned, however, it still deals with an INT16U. All you have to do is determine from your compiler documentation what combination of standard C data types map to the data types µC/OS-II expects.
- (2) Also, for convenience, I have included floating-point data types even though µC/OS-II doesn't make use of floating-point numbers.
- (3) You must tell µC/OS-II the data type of a task's stack. This is done by declaring the proper C data type for OS_STK. If stack elements on your processor are 32 bits you can simply declare OS_STK as:

```
typedef INT32U OS_STK;
```

This assumes that the declaration of INT32U precedes that of OS_STK. When you create a task and you declare a stack for this task then, you **MUST** always use OS_STK as its data type.

- (4) If you use OS_CRITICAL_METHOD #3 (see next section), you will need to declare the data type for the Processor Status Word (PSW). The PSW is also called the processor flags or status register. If the PSW of your processor is 16 bit wide, simply declare it as:

```
typedef INT16U OS_CPU_SR;
```

OS_ENTER_CRITICAL(), and OS_EXIT_CRITICAL()

This section is basically a repeat of section 3.00 with some items removed and others added. I decided to repeat this text here to avoid having you flip back and forth between sections. µC/OS-II, like all real-time kernels, needs to disable interrupts in order to access critical sections of code and to reenable interrupts when done. This allows µC/OS-II to protect critical code from being entered simultaneously from either multiple tasks or ISRs.

Processors generally provide instructions to disable/enable interrupts, and your C compiler must have a mechanism to perform these operations directly from C. Some compilers allow you to insert in-line assembly language statements into your C source code. This makes it quite easy to insert processor instructions to enable and disable interrupts. Other compilers contain language extensions to enable and disable interrupts directly from C.

To hide the implementation method chosen by the compiler manufacturer, µC/OS-II defines two macros to disable and enable interrupts: `OS_ENTER_CRITICAL()` and `OS_EXIT_CRITICAL()`, respectively (see L13.1(5) through L13.1(8)).

`OS_ENTER_CRITICAL()` and `OS_EXIT_CRITICAL()` are always used in pair to wrap critical sections of code as shown in listing 13.2.

```
{  
.  
.  
OS_ENTER_CRITICAL();  
/* &mu;C/OS-II critical code section */  
OS_EXIT_CRITICAL();  
.  
.  
}
```

Listing - Listing 13.2 Use of critical section.

Your application can also use `OS_ENTER_CRITICAL()` and `OS_EXIT_CRITICAL()` to protect your own critical sections of code. Be careful, however, because your application will crash (i.e., hang) if you disable interrupts before calling a service such as `OSTimeDly()` (see chapter 5). This happens because the task is suspended until time expires, but because interrupts are

disabled, you would never service the tick interrupt! Obviously, all the PEND calls are also subject to this problem, so be careful. As a general rule, you should always call µC/OS-II services with interrupts enabled!

OS_ENTER_CRITICAL() and OS_EXIT_CRITICAL() can be implemented using three different methods. You only need one of the three methods even though I show OS_CPU.H (Listing 13.1) containing three different methods. The actual method used by your application depends on the capabilities of the processor as well as the compiler used. The method used is selected by the #define constant OS_CRITICAL_METHOD which is defined in OS_CPU.H of the port you will be using for your application (i.e., product). The #define constant OS_CRITICAL_METHOD is necessary in OS_CPU.H because µC/OS-II allocates a local variable called cpu_sr if OS_CRITICAL_METHOD is set to 3.

OS_CRITICAL_METHOD == 1

The first and simplest way to implement these two macros is to invoke the processor instruction to disable interrupts for OS_ENTER_CRITICAL() and the enable interrupts instruction for OS_EXIT_CRITICAL(). However, there is a little problem with this scenario. If you call a µC/OS-II function with interrupts disabled, on return from a µC/OS-II service (i.e., function), interrupts would be enabled! If you had disabled interrupts prior to calling µC/OS-II, you may want them to be disabled on return from the µC/OS-II function. In this case, this implementation would not be adequate. However, with some processors/compiler, this is the only method you can use. An example declaration is shown in listing 13.3. Here, I assume that the compiler you are using provides you with two functions to disable and enable interrupts, respectively. The names disable_int() and enable_int() are arbitrarily chosen for sake of illustration. Your compiler may have different names for them.

```
#define OS_ENTER_CRITICAL() disable_int() /* Disable interrupts */
#define OS_EXIT_CRITICAL() enable_int() /* Enable interrupts */
```

Listing - Listing 13.3 Critical Method #1

OS_CRITICAL_METHOD == 2

The second way to implement `OS_ENTER_CRITICAL()` is to save the interrupt disable status onto the stack and then disable interrupts. `OS_EXIT_CRITICAL()` is implemented by restoring the interrupt status from the stack. Using this scheme, if you call a µC/OS-II service with interrupts either enabled or disabled, the status is preserved across the call. In other words, interrupts would be enabled after the call if they were enabled before the call and, interrupts would be disabled after the call if they were disabled before the call. Be careful when you call a µC/OS-II service with interrupts disabled because you are extending the interrupt latency of your application. The pseudo code for these macros is shown in Listing 13.4.

```
#define OS_ENTER_CRITICAL() \
    asm( PUSH PSW); \
    asm( DI);

#define OS_EXIT_CRITICAL() \
    asm( POP PSW);
```

Listing - Listing 13.4 Critical Method #2

Here, I'm assuming that your compiler will allow you to execute inline assembly language statements directly from your C code as shown above (thus the `asm()` pseudo-function). You will need to consult your compiler documentation for this.

The `PUSH PSW` instruction pushes the Processor Status Word, PSW (also known as the condition code register or, processor flags) onto the stack. The `DI` instruction stands for Disable Interrupts. Finally, the `POP PSW` instruction is assumed to restore the original state of the interrupt flag from the stack. The instructions I used are only for illustration purposes and may not be actual processor instructions.

Some compilers do not optimize inline code real well and thus, this method may not work because the compiler may not be smart enough to know that the stack pointer was changed (by the `PUSH` instruction). Specifically, the processor you are using may provide a stack pointer relative addressing mode which the compiler can use to access local variables or function arguments using and offset from the stack pointer. Of course, if the stack pointer is changed by the `OS_ENTER_CRITICAL()` macro then all these stack offsets may be wrong and would most likely lead to incorrect behavior.

OS_CRITICAL_METHOD == 3

Some compiler provides you with extensions that allow you to obtain the current value of the PSW (Processor Status Word) and save it into a local variable declared within a C function. The variable can then be used to restore the PSW back as shown in listing 13.5.

```
void Some_uCOS_II_Service (arguments)
{
    OS_CPU_SR cpu_sr (1)

    .
    cpu_sr = get_processor_psw(); (2)
    disable_interrupts(); (3)
    .
    /* Critical section of code */ (4)
    .
    set_processor_psw(cpu_sr); (5)
    .
}
```

Listing - Listing 13.5 Saving and restoring the PSW

- (1) OS_CPU_SR is a µC/OS-II data type that is declared in the processor specific file OS_CPU.H. When you select this critical section method, OS_ENTER_CRITICAL() and OS_EXIT_CRITICAL() always assume the presence of the cpu_sr variable. In other words, if you use this method to protect your own critical sections, you will need to declare a cpu_sr variable in your function. However, you will not need to declare this variable in any of the µC/OS-II functions because thats already done.
- (2) To enter a critical section, a function provided by the compiler vendor is called to obtain the current state of the PSW (condition code register, processor flags or whatever else this register is called for your processor). I called this function get_processor_psw() for sake of discussion but it will likely have a different name.
- (3) Another compiler provided function (disable_interrupt()) is called to, of course, disable interrupts.
- (4) At this point, the critical code can be execute.
- (5) Once the critical section has completed, interrupts can be reenabled by calling another compiler specific extension that, for sake of discussion, I called set_processor_psw().

The function receives as an argument the previous state of the PSW. Its assumed that this function will restore the processor PSW to this value.

Because I dont know what the compiler functions are (there is no standard naming convention), the μC/OS-II macros are used to encapsulate the functionality as follows:

```
#define OS_ENTER_CRITICAL() \
    cpu_sr = get_processor_psw(); \
    disable_interrupts();

#define OS_EXIT_CRITICAL() \
    set_processor_psw(cpu_sr);
```

Listing - Listing 13.6 Critical Method #3

OS_STK_GROWTH

The stack on most microprocessors and microcontrollers grows from high to low memory. However, some processors work the other way around.

- (9) μC/OS-II has been designed to be able to handle either flavor by specifying which way the stack grows through the configuration constant `OS_STK_GROWTH`, as shown below.

Set `OS_STK_GROWTH` to 0 for low to high memory stack growth.

Set `OS_STK_GROWTH` to 1 for high to low memory stack growth.

The reason this #define constant is provided is twofold. First, `OSInit()` needs to know where the top-of-stack is when its creating `OSTaskIdle()` and `OSTaskStat()`. Second, if you call `OSTaskStkChk()`, μC/OS-II needs to know where the bottom of stack is (high-memory or low-memory) in order to determine stack usage.

OS_TASK_SW()

(10) `OS_TASK_SW()` is a macro that is invoked when µC/OS-II switches from a low-priority task to the highest priority task. `OS_TASK_SW()` is always called from task-level code. Another mechanism, `OSIntExit()`, is used to perform a context switch when an ISR makes a higher priority task ready for execution. A context switch simply consists of saving the processor registers on the stack of the task being suspended and restoring the registers of the higher priority task from its stack.

In µC/OS-II, the stack frame for a ready task always looks as if an interrupt has just occurred and all processor registers were saved onto it. In other words, all that µC/OS-II has to do to run a ready task is to restore all processor registers from the tasks stack and execute a return from interrupt. You thus need to implement `OS_TASK_SW()` to simulate an interrupt. Most processors provide either software interrupt or TRAP instructions to accomplish this. The ISR or trap handler (also called the exception handler) must vector to the assembly language function `OSCtxSw()` (see section 13.04.02).

For example, a port for an Intel or AMD 80x86 processor would use an INT instruction as shown in listing 13.7. The interrupt handler needs to vector to `OSCtxSw()`. You must determine how to do this with your compiler/processor.

```
#define OS_TASK_SW() asm INT 080H
```

Listing - Listing 13.7 Task level context switch macro.

A port for the Motorola 68HC11 processor would most likely uses the SWI instruction. Again, the SWI handler is `OSCtxSw()` . Finally, a port for a Motorola 680x0/CPU32 processor probably uses one of the 16 TRAP instructions. Of course, the selected TRAP handler is none other than `OSCtxSw()` .

Some processors, like the Zilog Z80, do not provide a software interrupt mechanism. In this case, you need to simulate the stack frame as closely to an interrupt stack frame as you can. `OS_TASK_SW()` would simply call `OSCtxSw()` instead of vectoring to it. The Z80 is a processor that has been ported to µC/OS and is thus portable to µC/OS-II.

OS_CPU_C.C

A µC/OS-II port requires that you write ten (10) fairly simple C functions:

```
OSTaskStkInit()  
OSTaskCreateHook()  
OSTaskDelHook()  
OSTaskSwHook()  
OSTaskIdleHook()  
OSTaskStatHook()  
OSTimeTickHook()  
OSInitHookBegin()  
OSInitHookEnd()  
OSTCBInitHook()
```

The only required function is `OSTaskStkInit()`. The other nine functions must be declared but may not need to contain any code. Function prototypes as well as a reference manual type summary is provided at the end of this chapter.

OSTaskStkInit()

This function is called by `OSTaskCreate()` and `OSTaskCreateExt()` to initialize the stack frame of a task so that the stack looks as if an interrupt just occurred and all the processor registers were pushed onto that stack. The pseudo code for `OSTaskStkInit()` is shown in listing 13.8.

```
OS_STK *OSTaskStkInit (void (*task)(void *pd),  
                      void *pdata,  
                      OS_STK *ptos,  
                      INT16U opt);  
  
{  
    Simulate call to function with an argument (i.e., pdata);           (1)  
    Simulate ISR vector;                                               (2)  
    Setup stack frame to contain desired initial values of all registers; (3)  
    Return new top-of-stack pointer to caller;                          (4)  
}
```

Listing - Listing 13.8 Pseudo-code for

Figure 13.2 shows what `OSTaskStkInit()` needs to put on the stack of the task being created. Note that I assume a stack grows from high to low memory. The discussion that follows applies just as well for a stack growing in the opposite direction.

Figure 13.2 Stack frame initialization with `pdata` passed on the stack.

Listing 13.9 shows the function prototypes for OSTaskCreate(), OSTaskCreateExt() and OSTaskStkInit(). The arguments in bold font are passed from the create calls to OSTaskStkInit(). When OSTaskCreate() calls OSTaskStkInit(), it sets the opt argument to 0x0000 because OSTaskCreate() doesn't support additional options.

```

INT8U OSTaskCreate (void (*task)(void *pd),
                  void *pdata,
                  OS_STK *ptos,
                  INT8U prio)

INT8U OSTaskCreateExt (void (*task)(void *pd),
                     void *pdata,
                     OS_STK *ptos,
                     INT8U prio,
                     INT16U id,
                     OS_STK *pbos,
                     INT32U stk_size,
                     void *pext,
                     INT16U opt)

OS_STK *OSTaskStkInit (void (*task)(void *pd),
                      void *pdata,
                      OS_STK *ptos,
                      INT16U opt);

```

Listing - Listing 13.9 Function prototypes

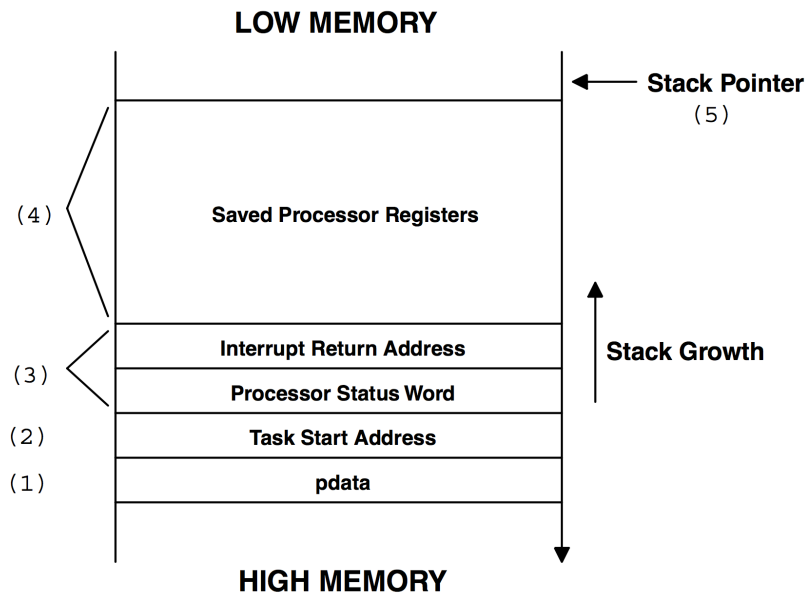


Figure - Figure 13.2: Stack-frame initialization with pdata passed to the stack.

Recall that under µC/OS-II, a task is an infinite loop but otherwise looks just like any other C function. When the task is started by µC/OS-II, it receives an argument just as if it was called

by another function as shown in Listing 13.10.

```
void MyTask (void *pdata)
{
    /* Do something with argument 'pdata' */
    for (;;) {
        /* Task code */
    }
}
```

Listing - Listing 13.10 Task Code

If I were to call `MyTask()` from another function, the C compiler would push the argument onto the stack followed by the return address of the function calling `MyTask()`. `OSTaskStkInit()` needs to simulate this behavior. Some compilers actually pass `pdata` in one or more registers. Ill discuss this situation later.

The notes below apply both and simultaneously to Listing 13.8 and Figure 13.2. When reading each numbered note, refer to both the listing and the figure.

- (1) F13.2

- (1) L13.8 - Assuming `pdata` is pushed onto the stack, `OSTaskStkInit()` simply simulates this scenario and loads the stack accordingly.

- (2) F13.2

- (1) L13.8 - Unlike a C function call, the *return* address of the caller is unknown because your task was never really called (we are just trying to setup the stack frame of a task, *as if* the code was called). All `OSTaskStkInit()` knows about is the start address of your task (its passed as an argument). It turns out that you dont really need the return address because the task is not supposed to return to another function anyway.

- (3) F13.2

- (2) L13.8 - At this point, `OSTaskStkInit()` needs to put on the stack the registers that are automatically pushed by the processor when it recognizes and starts servicing an interrupt. Some processors stack all of its registers; others stack just a few. Generally

speaking, a processor stacks at least the value of the program counter of the instruction to return to upon returning from an interrupt, and the processor status word. Obviously, you must match the order exactly.

- (4) F13.2
- (3) L13.8 - Next, `OSTaskStkInit()` need to put the rest of the processor registers on the stack. The stacking order depends on whether your processor gives you a choice or not. Some processors have one or more instructions that push many registers at once. You would have to emulate the stacking order of such instructions. For example, the Intel 80x86 has the `PUSHA` instruction, which pushes eight registers onto the stack. On the Motorola 68HC11 processor, all the registers are automatically pushed onto the stack during an interrupt response, so you would also need to match the stacking order.
- (5) F13.2
- (4) L13.8 - Once youve initialized the stack, `OSTaskStkInit()` needs to return the address where the stack pointer points after the stacking is complete. `OSTaskCreate()` or `OSTaskCreateExt()` takes this address and saves it in the task control block (`OS_TCB`). The processor documentation tells you whether the stack pointer should point to the next free location on the stack or the location of the last stored value. For example, on an Intel 80x86 processor, the stack pointer points to the last stored data, whereas on a Motorola 68HC11 processor, it points at the next free location.

Now its time to come back to the issue of what to do if your C compiler passes the `pdata` argument in registers instead of on the stack.

- (1) Similar to the previous case, `OSTaskStkInit()` saves the task address onto the stack in order to simulate a call to your task code.
- (2) Again, `OSTaskStkInit()` needs to put on the stack the registers that are automatically pushed by the processor when it recognizes and starts servicing an interrupt. Some processors stack all of its registers; others stack just a few. Generally speaking, a

processor stacks at least the value of the program counter for the instruction to return to upon returning from an interrupt, and the processor status word. Obviously, you must match the order exactly.

- (3) Next, `OSTaskStkInit()` need to put the rest of the processor registers on the stack. The stacking order depends on whether your processor gives you a choice or not. Some processors have one or more instructions that push many registers at once. You would have to emulate the stacking order of such instructions. Because the compiler passed arguments to a function in registers (at least some of them), you need to find out from the compiler documentation the register in which `pdata` is stored. `pdata` is placed on the stack in the same area you save the corresponding register.
- (4) Once youve initialized the stack, `OSTaskStkInit()` needs to return the address where the stack pointer points after the stacking is complete. `OSTaskCreate()` or `OSTaskCreateExt()` takes this address and saves it in the task control block (`OS_TCB`). Again, the processor documentation tells you whether the stack pointer should point to the next free location on the stack or the location of the last stored value.

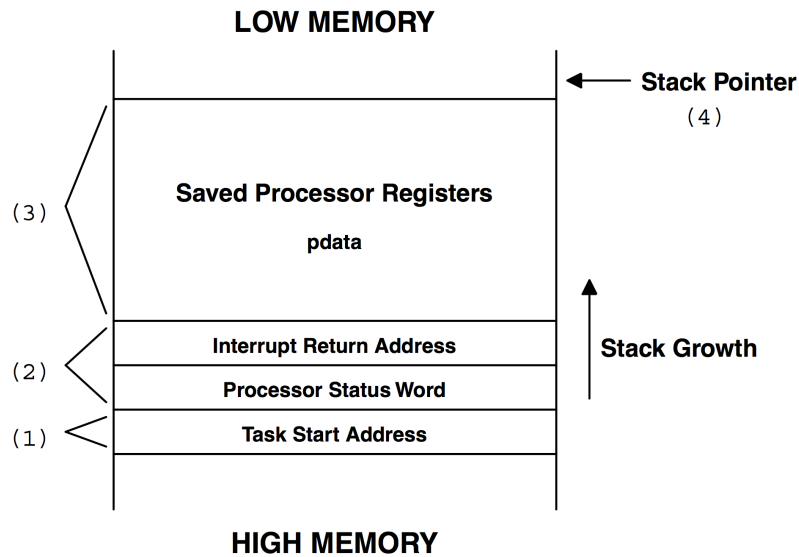


Figure - Figure 13.3 Stack frame initialization with `pdata` passed in register.

OSTaskCreateHook()

OSTaskCreateHook() is called by OS_TCBInit() whenever a task is created. This allows you or the user of your port to extend the functionality of µC/OS-II. OSTaskCreateHook() is called when µC/OS-II is done setting up most of the OS_TCB but before the OS_TCB is linked to the active task chain and before the task is made ready to run. Interrupts are enabled when this function is called.

When called, OSTaskCreateHook() receives a pointer to the OS_TCB of the task created and can thus access all of the structure elements. OSTaskCreateHook() has limited capability when the task is created with OSTaskCreate(). However, with OSTaskCreateExt(), you get access to a TCB extension pointer (OSTCBExtPtr) in OS_TCB that can be used to access additional data about the task, such as the contents of floating-point registers, MMU (Memory Management Unit) registers, task counters, and debug information. You may want to examine OS_TCBInit() to see exactly what's being done.

Note about OS_CPU_HOOKS_EN: The code for the hook functions (OS??Hook()) that are described in this and the following sections is generated from the file OS_CPU_C.C only if OS_CPU_HOOKS_EN is set to 1 in OS_CFG.H. The OS??Hook() functions are always needed and the #define constant OS_CPU_HOOKS_EN doesn't mean that the code will not be called. All OS_CPU_HOOKS_EN means is that the hook functions are in OS_CPU_C.C (when 1) or elsewhere, in another file (when 0). This allows the user of your port to redefine all the hook functions in a different file. Obviously, users of your port need access to the source to compile it with OS_CPU_HOOKS_EN set to 0 in order to prevent multiply defined symbols at link time. If you don't need to use hook functions because you don't intend to extend the functionality of µC/OS-II through this mechanism then you can simply leave the function bodies empty. Again, µC/OS-II always expects that the hook functions exist (i.e., they must ALWAYS be declared somewhere).

OSTaskDelHook()

OSTaskDelHook() is called by OSTaskDel() after removing the task from either the ready list or a wait list (if the task was waiting for an event to occur). It is called before unlinking the task from µC/OS-II's internal linked list of active tasks. When called, OSTaskDelHook() receives a pointer to the task control block (OS_TCB) of the task being deleted and can thus access all of the structure members. OSTaskDelHook() can see if a TCB extension has been created (a non-NULL pointer) and is thus responsible for performing cleanup operations.

OSTaskDelHook() is called with interrupts disabled which means that your OSTaskDelHook() can affect interrupt latency if its too long. You may want to study OSTaskDel() and see exactly what is accomplished before OSTaskDelHook() is called.

OSTaskSwHook()

OSTaskSwHook() is called whenever a task switch occurs. This happens whether the task switch is performed by OSctxSw() or OSIntCtxSw() (see OS_CPU_A.ASM). OSTaskSwHook() can access OSTCBCur and OSTCBHighRdy directly because they are global variables. OSTCBCur points to the OS_TCB of the task being switched out, and OSTCBHighRdy points to the OS_TCB of the new task. Note that interrupts are always disabled during the call to OSTaskSwHook(), so you should keep additional code to a minimum since it will affect interrupt latency. OSTaskSwHook() has no arguments and is not expected to return anything.

OSTaskStatHook()

OSTaskStatHook() is called once every second by OSTaskStat(). You can thus extend the statistics capability with OSTaskStatHook(). For instance, you can keep track of and display the execution time of each task, the percentage of the CPU that is used by each task, how often each task executes, and more. OSTaskStatHook() has no arguments and is not expected to return anything. You may want to study OS_TaskStat().

OSTimeTickHook()

OSTimeTickHook() is called by OSTimeTick() at every system tick. In fact, OSTimeTickHook() is called before a tick is actually processed by µC/OS-II to give your port or application first claim of the tick. OSTimeTickHook() has no arguments and is not expected to return anything.

OSTCBInitHook()

OSTCBInitHook() is called by OS_TCBInit() immediately before calling OSTaskCreateHook() which is also called by OS_TCBInit(). I did this so that you could initialize OS_TCB related data with OSTCBInitHook() and task related data with OSTaskCreateHook() (there may be a difference). Its up to you to decide whether you need to populate both of these functions. Like OSTaskCreateHook(), OSTCBInitHook() receives a pointer to the newly created tasks OS_TCB after initializing most of the field, but before linking the OS_TCB to the chain of created tasks. You may want to examine OS_TCBInit().

OSTaskIdleHook()

Many microprocessors allow you to execute instructions that brings the CPU into a low-power mode. The CPU exits low-power mode when it receives an interrupt. OSTaskIdleHook() is called by OS_TaskIdle() and, as shown in Listing 13.11, can be made to use this CPU feature.

```
void OS_TaskIdle (void *pdata)
{
  #if OS_CRITICAL_METHOD == 3
    OS_CPU_SR cpu_sr;
  #endif

  pdata = pdata;
  for (;;) {
    OS_ENTER_CRITICAL();
    OSIdleCtr++;                (1)
    OS_EXIT_CRITICAL();
    OSTaskIdleHook();          (2)
  }
}

void OSTaskIdleHook (void)
{
  asm( STOP);                  (3)
  /* Interrupt received and serviced */ (4)
}
```

Listing - Listing 13.11 Use of OSTaskIdleHook()

- (1) As you know, OS_TaskIdle() is executed whenever no other task is ready to run. OS_TaskIdle() increments the idle counter, OSIdleCtr.
- (2) Next OS_TaskIdle() calls the hook function OSTaskIdleHook() that you would declare in

the port file `OS_CPU_C.C`.

- (3) `OSTaskIdleHook()` immediately invokes the CPU instruction to bring the CPU in low-power mode. I assumed, for sake of illustration, that your compiler supports inline assembly language and that the instruction to execute is called `STOP`. Other compilers may not allow you to do inline assembly language and, in those cases, you could declare `OSTaskIdleHook()` in the assembly language file `OS_CPU_A.ASM` but make sure you include a return from the call. Also, the instruction to bring the CPU in low-power mode may be called something else.
- (4) When an interrupt occurs, the CPU exits low-power mode and processes the ISR (Interrupt Service Routine). The ISR signals a higher priority task which executes upon completion of the ISR because the ISR calls `OSIntExit()`. When all tasks are again waiting for events to occur, µC/OS-II switches back to the idle task immediately after item L13.9(4) and `OSTaskIdleHook()` returns to `OS_TaskIdle()` and the same process repeats.

You could also use `OSTaskIdleHook()` to blink an LED (Light Emitting Diode) which could be used as an indication of how busy the CPU is. A dim LED would indicate a very busy CPU while a bright LED indicates a lightly loaded CPU.

OSInitHookBegin()

`OSInitHookBegin()` is called immediately upon entering `OSInit()`. The reason I added this function is to encapsulate OS related initialization within `OSInit()`. This allows you to extend `OSInit()` with your own port specific code. The user of your port still only sees `OSInit()` and thus makes the code cleaner.

OSInitHookEnd()

`OSInitHookEnd()` is similar to `OSInitHookBegin()` except that the hook is called at the end of `OSInit()` just before returning to `OSInit()`'s caller. The reason is the same as above and you can see an example of the use of `OSInitHookEnd()` in Chapter 15, 80x86 with Floating-Point.

OS_CPU_A.ASM

A µC/OS-II port requires that you write four assembly language functions:

```
OSStartHighRdy()  
OSCtxSw()  
OSIntCtxSw()  
OSTickISR()
```

If your compiler supports in-line assembly language code, you could actually place these functions in `OS_CPU_C.C` instead of having a separate assembly language file.

OSStartHighRdy()

This function is called by `OSStart()` to start the highest priority task ready to run. The pseudo-code for this function is shown in Listing 13.12. You need to convert this pseudo-code to assembly language.

```
void OSStartHighRdy (void)  
{  
    Call user definable OSTaskSwHook();           (1)  
    OSRunning = TRUE;                             (2)  
    Get the stack pointer of the task to resume;   (3)  
        Stack pointer = OSTCBHighRdy->OSTCBStkPtr;  
  
    Restore all processor registers from the new task's stack; (4)  
    Execute a return from interrupt instruction;   (5)  
}
```

Listing - Listing 13.12 Pseudo-code for OSStartHighRdy().

- (1) `OSStartHighRdy()` must call `OSTaskSwHook()`. However, `OSStartHighRdy()` only does half a context switch — you are only restoring the registers of the highest priority task and NOT saving the register of a task. `OSTaskSwHook()` can examine `OSRunning` to tell it whether `OSTaskSwHook()` was called from `OSStartHighRdy()` (`OSRunning` is `FALSE`) or from a regular context switch (`OSRunning` is `TRUE`).
- (2) `OSStartHighRdy()` sets `OSRunning` to `TRUE` before the highest priority task is restored, but after calling `OSTaskSwHook()`.

You should note that I should have placed the previous two statements in `OSStart()` instead of requiring that they be placed in `OSStartHighRdy()` because they don't need to be done in assembly language. Unfortunately, I didn't notice this fact when I first wrote

OSStart(). If I were to change OSStart() at this point, a large number of ports may not work properly. I have thus decided to leave these statements in OSStartHighRdy() in order to avoid a lot of e-mails!

- (3) OSStartHighRdy() then needs to load the stack pointer of the CPU with the top-of-stack pointer of the highest priority task. OSStartHighRdy() assumes that OSTCBHighRdy points to the task control block of the task with the highest priority. To simplify things, the stack pointer is always stored at the beginning of the task control block (i.e., its OS_TCB). In other words, the stack pointer of the task to resume is always stored at offset 0 in the OS_TCB.
- (4) In μC/OS-II, the stack frame for a ready task always looks as if an interrupt has just occurred and all processor registers were saved onto it. To run the highest priority task, all you need to do is restore all processor registers from the tasks stack in the proper order and execute a return from interrupt. In this step, OSStartHighRdy() retrieves the contents of all the CPU registers from the stack. Its important to pop the registers in the reverse order from how they were placed onto the stack by OSTaskStkInit() (see Section 13.??, OSTaskStkInit()).
- (5) The last step is to execute a return from interrupt instruction which causes the CPU to retrieve the program counter and possibly the CPU flags register (also called the status register) from the stack. This causes the CPU to resume execution at the first instruction of the highest priority task.

Before you can call OSStart(), however, you must have created at least one of your tasks [see OSTaskCreate() and OSTaskCreateExt()].

OSCtxSw()

A task-level context switch is accomplished by issuing a software interrupt instruction or, depending on the processor, executing a TRAP instruction. The interrupt service routine, trap, or exception handler must vector to OScCtxSw().

The sequence of events that leads μC/OS-II to vector to OScCtxSw() begins when the current task calls a service provided by μC/OS-II, which causes a higher priority task to be ready to run. At the end of the service call, μC/OS-II calls OS_Sched(), which concludes that the current task is no longer the most important task to run. OS_Sched() loads the address of the highest priority

task into OSTCBHighRdy then executes the software interrupt or trap instruction by invoking the macro OS_TASK_SW(). Note that the variable OSTCBCur already contains a pointer to the current tasks task control block, OS_TCB. The software interrupt instruction (or TRAP) forces some of the processor registers (most likely the return address and the processors status word) onto the current tasks stack, then the processor vectors to OSCtxSw().

The pseudocode for OSCtxSw() is shown in Listing 13.13. This code must be written in assembly language because you cannot access CPU registers directly from C. Note that interrupts are disabled during OSCtxSw() and also during execution of the user-definable function OSTaskSwHook(). When OSCtxSw() is invoked, it is assumed that the processors program counter (PC) and possibly the flag register (or status register) are pushed onto the stack by the software interrupt instruction which is invoked by the OS_TASK_SW() macro.

```
void OSCtxSw(void)
{
    Save processor registers;                               (1)
    Save the current tasks stack pointer into the current tasks OS_TCB: (2)
        OSTCBCur->OSTCBStkPtr = Stack pointer;
    Call user definable OSTaskSwHook();                    (3)
    OSTCBCur = OSTCBHighRdy;                               (4)
    OSPrioCur = OSPrioHighRdy;                            (5)
    Get the stack pointer of the task to resume:           (6)
        Stack pointer = OSTCBHighRdy->OSTCBStkPtr;
    Restore all processor registers from the new tasks stack; (7)
    Execute a return from interrupt instruction;           (8)
}
```

Listing - Listing 13.13 Pseudocode for OSCtxSw().

- (1) OSCtxSw() saves all the processor registers (except the ones already saved by the software interrupt) in the SAME order as they are placed on the stack by OSTaskStkInit().
- (2) Once all CPU registers are on the stack of the task to suspend, OSCtxSw() saves the stack pointer into the tasks OS_TCB.
- (3) OSCtxSw() calls OSTaskSwHook() in case your port needs to extend the functionality of a context switch. Note that OSTaskSwHook() is ALWAYS called whether this function is declared in OS_CPU_C.C or elsewhere.
- (4) OSCtxSw() then needs to make the pointer to the current OS_TCB point to the OS_TCB of the task being resumed. In other words, the new task will become the current task.

- (5) `OSCtxSw()` needs to copy the new tasks priority into the current task priority.
- (6) The new tasks stack pointer is then retrieved from the new tasks `OS_TCB`.
- (7) `OSCtxSw()` then needs to restore the value of the CPU registers for the task that is being resumed. You must restore the registers in exactly the reverse order as they were saved. For example, if your processor has four registers called R1, R2, R3 and R4 and you saved them in that order then you must retrieve them starting from R4 and ending with R1.
- (8) Since the value of the high priority tasks program counter (and possibly the status register) are still on the stack, a return from interrupt would cause the program counter and status register to be popped off the stack and loaded into the CPU. This causes your task code to be resumed.

```
void main(void)
{
    .
    .
    OSInit();          /* Initialize &mu;C/OS-II          */
    .
    .
    /* Application initialization code ...          */
    /* ... Create at least on task by calling OSTaskCreate() */
    .
    .
    Enable TICKER interrupts; /* DO NOT DO THIS HERE!!! */
    .
    .
    OSStart();        /* Start multitasking          */
}
}
```

Listing - Listing 13.14 Incorrect place to start the tick interrupt.

OSTickISR()

µC/OS-II requires you to provide a periodic time source to keep track of time delays and timeouts. A tick should occur between 10 and 100 times per second, or Hertz. To accomplish this, either dedicate a hardware timer or obtain 50/60Hz from an AC power line.

You must enable ticker interrupts after multitasking has started; that is, after calling `OSStart()`. Note that you really cant do this because `OSStart()` never returns. However, you can and

should initialize and tick interrupts in the first task that executes following a call to `OSStart()`. This would of course be the highest priority task that you would have created before calling `OSStart()`. A common mistake is to enable ticker interrupts between calling `OSInit()` and `OSStart()`, as shown in Listing 13.14. This is a problem because the tick interrupt could be serviced before µC/OS-II starts the first task and, at that point, µC/OS-II is in an unknown state and your application could crash.

The pseudocode for the tick ISR is shown in Listing 13.15. This code must be written in assembly language because you cannot access CPU registers directly from C.

```
void OSTickISR(void)
{
    Save processor registers;                (1)
    Call OSIntEnter() or increment OSIntNesting; (2)
    if (OSIntNesting == 1) {                (3)
        OSTCBCur->OSTCBStkPtr = Stack Pointer;
    }
    Clear interrupting device;                (4)
    Re-enable interrupts (optional);          (5)
    Call OSTimeTick();                        (6)
    Call OSIntExit();                        (7)
    Restore processor registers;              (8)
    Execute a return from interrupt instruction; (9)
}
```

Listing - Listing 13.15 Pseudocode for tick ISR.

- (1) The tick ISR (as with any ISR) needs to save all the CPU registers onto the current tasks stack. Of course, they need to be saved in the same order as they are placed in `OSTaskStkInit()`.
- (2) It is assumed that interrupts are disabled at this point so you can directly increment `OSIntNesting` without fear of data corruption from another ISR. In the past, I recommended that you called `OSIntEnter()` which handles the increment. At the time, I wanted to encapsulate the increment in case I needed to do more processing at the beginning of the ISR. It turns out that I added a boundary check in `OSIntEnter()` to ensure that interrupt nesting never exceeded 255 levels. If dont expect to nest this deep, you can increment `OSIntNesting` without this boundary check. If you want to be safe, simply call `OSIntEnter()`. However, calling `OSIntEnter()` adds overhead to the ISR. Its up to you to decide which way you want to implement your port.
- (3) The tick ISR then needs to check the value of `OSIntNesting` and if its one, you need to

save the contents of the stack pointer into the current tasks OS_TCB. This step has been added in version 2.51 and although it complicates the ISR slightly, it does make a port more compiler independent.

- (4) Depending on the source of the interrupt, the interrupting device may need to be cleared to acknowledge the interrupt.
- (5) You may want to re-enable interrupts at this point in order to allow higher priority interrupts to be recognized. This is an optional step because you may not want to allow nested interrupts because they consume stack space.
- (6) OSTickISR() must call OSTimeTick() which is responsible for maintaining µC/OS-II's internal timers. The timers allow tasks to be suspended for a certain amount of time or allow timeouts on PEND-type calls.
- (7) Because we are done servicing this ISR, we need to call OSIntExit(). As you probably remember, OSIntExit() will determine whether a higher priority task has been made ready to run because of this ISR. If a higher priority task is ready to run, OSIntExit() will not return to the interrupted task but instead, context switch to this higher priority task.
- (8) If there is no higher priority task then OSIntExit() returns, and we simply restore the CPU registers from the values stacked at the beginning of the ISR. Again, the registers must be restored in the reverse order.
- (9) OSTickISR() needs to execute a return from interrupt in order to resume execution of the interrupted task.

OSIntCtxSw()

OSIntCtxSw() is called by OSIntExit() to perform a context switch from an ISR. Because OSIntCtxSw() is called from an ISR, it is assumed that all the processor registers are properly saved onto the interrupted tasks stack (see *section 13.05.03, OSTickISR()*).

The pseudocode for OSIntCtxSw() is shown in Listing 13.16. This code must be written in assembly language because you cannot access CPU registers directly from C. If your C compiler supports inline assembly, put the code for OSIntCtxSw() in OS_CPU_C.C instead of

OS_CPU_A.ASM. You should note that this is the pseudocode for V2.51 (and higher) because prior to V2.51, OSIntCtxSw() required a few extra steps. If you have a port that was done for a version prior to V2.51, I highly recommend that you change it to match the algorithm shown in Listing 13.16.

A lot of the code is identical to OSctxSw() except that we don't save the CPU registers onto the current task because that's already done by the ISR. In fact, you can reduce the amount of code in the port by jumping to the appropriate section of code in OSctxSw() if you want. Because of the similarity between OSctxSw() and OSIntCtxSw(), once you figure out how to do OSctxSw(), you have automatically figured out how to do OSIntCtxSw()!

```
void OSIntCtxSw(void)
{
    Call user-definable OSTaskSwHook();
    OSTCBCur = OSTCBHighRdy;
    OSPrioCur = OSPrioHighRdy;
    Get the stack pointer of the task to resume:
        Stack pointer = OSTCBHighRdy->OSTCBStkPtr;
    Restore all processor registers from the new task's stack;
    Execute a return from interrupt instruction;
}
```

Listing - Listing 13.16 Pseudocode for OSIntCtxSw() for V2.51 and higher.

Listing 13.17 shows the pseudocode for OSIntCtxSw() for a port made for a version of µC/OS-II prior to V2.51. You will recognize such a port because of the added two items before calling OSTaskSwHook() : L13.17(1) and L13.17(2). ISRs for such a port also would not have the statements shown in L13.15(3) to save the stack pointer into the OS_TCB of the interrupted task. Because of this, OSIntCtxSw() had to do these operations (again, L13.17(1) and L13.17(2)). However, because the stack pointer was not pointing to the proper stack frame location (when OSIntCtxSw() starts executing, the return address of OSIntExit() and OSIntCtxSw() were placed on the stack by the calls), the stack pointer needed to be adjusted. The solution was to add an offset to the stack pointer. The value of this offset was dependent on the compiler options and generated more e-mail than I expected or cared for. One of those e-mails was from a clever individual named Nicolas Pinault which pointed out how this stack adjustment business could all be avoided as previously described. Because of Nicolas, µC/OS-II is no longer dependent on compiler options. Thanks again Nicolas!

```
void OSIntCtxSw(void)
{
    Adjust the stack pointer to remove calls to:           (1)
        OSIntExit();
        OSIntCtxSw();
    Save the current tasks stack pointer into the current tasks OS_TCB: (2)
        OSTCBCur->OSTCBStkPtr = Stack Pointer;
    Call user-definable OSTaskSwHook();
    OSTCBCur = OSTCBHighRdy;
    OSPrioCur = OSPrioHighRdy;
    Get the stack pointer of the task to resume:
        Stack pointer = OSTCBHighRdy->OSTCBStkPtr;
    Restore all processor registers from the new tasks stack;
    Execute a return from interrupt instruction;
}
```

Listing - Listing 13.17 Pseudocode for OSIntCtxSw() prior to V2.51.

Testing a Port

Once you have a port of µC/OS-II for your processor, you need to verify its operation. This is probably the most complicated part of writing a port. You should test your port without application code. In other words, test the operations of the kernel by itself. There are two reasons to do this. First, you don't want to complicate things anymore than they need to be. Second, if something doesn't work, you know that the problem lies in the port as opposed to your application. Start with a couple of simple tasks and only the ticker interrupt service routine. Once you get multitasking going, it's quite simple to add your application tasks.

There are a number of techniques you could use to test your port depending on your level of experience with embedded systems and processors in general. When I write a port, I generally follow the following four steps:

1. Ensure that the code compiles, assembles and links
2. Verify OSTaskStkInit() and OSStartHighRdy()
3. Verify OSCtxSw()
4. Verify OSIntCtxSw() and OSTickISR()

Ensure that the Code Compiles, Assembles and Links

Once you complete the port, you need to compile, assemble and link it along with the µC/OS-II processor independent code. This step is obviously compiler specific and you will need to consult your compiler documentation to determine how to do this.

I generally setup a simple test directory as follows:

```
\SOFTWARE\uCOS-II\processor\compiler\TEST
```

where `processor` is the name of the processor or microcontroller for which you did the port, and `compiler` is the name of the compiler you used.

Table 13.2 shows the directories you will need to work with, along with the files found in those directories. In the TEST directory, you should have at least three file: TEST.C, INCLUDES.H and OS_CFG.H. Depending on the processor used, you may also need to have an interrupt vector table which I assumed would be called VECTORS.C but, it could certainly be called something else.

The TEST directory could also contain a MAKEFILE which specifies compiler, assembler and linker directives to build your project. A MAKEFILE assumes, of course, that you use a make utility. If your compiler provides an IDE (Integrated Development Environment), you may not have a MAKEFILE but instead, you could have project files which are specific to the IDE.

The port you did (refer to section 13.01) should be found in the following directory:

```
\SOFTWARE\uCOS-II\processor\compiler
```

Table 13.2, Files needed to test a Port

Directory	File
\SOFTWARE\uCOS-II\processor\compiler\TEST	TEST.C
	OS_CFG.H
	INCLUDES.H
	VECTORS.C
	MAKEFILE or IDE project file(s)

\SOFTWARE\uCOS-II\processor\compiler	OS_CPU_A.ASM
	OS_CPU_C.C
	OS_CPU.H
\SOFTWARE\uCOS-II\SOURCE	OS_CORE.C
	OS_FLAG.C
	OS_MBOX.C
	OS_MEM.C
	OS_MUTEX.C
	OS_Q.C
	OS_SEM.C
	OS_TASK.C
	OS_TIME.C
	uCOS_II.H
	uCOS_II.H

Listing 13.18 shows the contents of a typical INCLUDES.H. STRING.H is needed because OSTaskCreateExt() uses the ANSI C function memset() to initialize the stack of a task. The other standard C header files (STDIO.H, CTYPE.H and STDLIB.H) are not actually used by µC/OS-II but are included in case your application needs them.

```
#include <stdio.h>
#include <string.h>
#include <ctype.h>
#include <stdlib.h>

#include "os_cpu.h"
#include "os_cfg.h"
#include "ucos_ii.h"
```

Listing - Listing 13.18 Typical

Listing 13.19 shows the content of OS_CFG.H which was setup to enable ALL the features of µC/OS-II. You can find a similar file in the \SOFTWARE\uCOS-II\EX1_x86L\BC45\SOURCE directory of the companion CD so that you can use it as a starting point instead of typing an OS_CFG.H from scratch.

```
/* ----- MISCELLANEOUS ----- */
#define OS_ARG_CHK_EN      1  /* Enable (1) or Disable (0) argument checking
*/

#define OS_CPU_HOOKS_EN    1  /* uC/OS-II hooks are found in the processor port files
*/

#define OS_LOWEST_PRIO     63  /* Defines the lowest priority that can be assigned ...
*/
/* ... MUST NEVER be higher than 63!
*/

#define OS_MAX_EVENTS      20  /* Max. number of event control blocks in your application ...
*/
/* ... MUST be > 0
*/

#define OS_MAX_FLAGS       10  /* Max. number of Event Flag Groups in your application ...
*/
/* ... MUST be > 0
*/

#define OS_MAX_MEM_PART    10  /* Max. number of memory partitions ...
*/
/* ... MUST be > 0
*/

#define OS_MAX_QS          10  /* Max. number of queue control blocks in your application ...
*/
/* ... MUST be > 0
*/

#define OS_MAX_TASKS       63  /* Max. number of tasks in your application ...
*/
/* ... MUST be >= 2
*/

#define OS_SCHED_LOCK_EN   1  /* Include code for OSSchedLock() and OSSchedUnlock()
*/

#define OS_TASK_IDLE_STK_SIZE 512 /* Idle task stack size (# of OS_STK wide entries)
*/

#define OS_TASK_STAT_EN    1  /* Enable (1) or Disable(0) the statistics task
*/
#define OS_TASK_STAT_STK_SIZE 512 /* Statistics task stack size (# of OS_STK wide entries)
*/

#define OS_TICKS_PER_SEC   200  /* Set the number of ticks in one second
*/

/* ----- EVENT FLAGS -----
*/
#define OS_FLAG_EN         1  /* Enable (1) or Disable (0) code generation for EVENT FLAGS
*/
#define OS_FLAG_WAIT_CLR_EN 1  /* Include code for Wait on Clear EVENT FLAGS
*/
#define OS_FLAG_ACCEPT_EN  1  /* Include code for OSFlagAccept()
*/
#define OS_FLAG_DEL_EN     1  /* Include code for OSFlagDel()
*/
#define OS_FLAG_QUERY_EN   1  /* Include code for OSFlagQuery()
*/

/* ----- MESSAGE MAILBOXES -----
*/
#define OS_MBOX_EN         1  /* Enable (1) or Disable (0) code generation for MAILBOXES
*/
#define OS_MBOX_ACCEPT_EN  1  /* Include code for OSMboxAccept()
```



```
*/
#define OS_MBOX_DEL_EN      1  /* Include code for OSMboxDel()
*/
#define OS_MBOX_POST_EN    1  /* Include code for OSMboxPost()
*/
#define OS_MBOX_POST_OPT_EN 1  /* Include code for OSMboxPostOpt()
*/
#define OS_MBOX_QUERY_EN   1  /* Include code for OSMboxQuery()
*/

/* ----- MEMORY MANAGEMENT -----
*/
#define OS_MEM_EN          1  /* Enable (1) or Disable (0) code generation for MEMORY MANAGER
*/
#define OS_MEM_QUERY_EN   1  /* Include code for OSMemQuery()
*/

/* ----- MUTUAL EXCLUSION SEMAPHORES -----
*/
#define OS_MUTEX_EN       1  /* Enable (1) or Disable (0) code generation for MUTEX
*/
#define OS_MUTEX_ACCEPT_EN 1  /* Include code for OSMutexAccept()
*/
#define OS_MUTEX_DEL_EN   1  /* Include code for OSMutexDel()
*/
#define OS_MUTEX_QUERY_EN 1  /* Include code for OSMutexQuery()
*/

/* ----- MESSAGE QUEUES -----
*/
#define OS_Q_EN           1  /* Enable (1) or Disable (0) code generation for QUEUES
*/
#define OS_Q_ACCEPT_EN    1  /* Include code for OSQAccept()
*/
#define OS_Q_DEL_EN       1  /* Include code for OSQDel()
*/
#define OS_Q_FLUSH_EN     1  /* Include code for OSQFlush()
*/
#define OS_Q_POST_EN      1  /* Include code for OSQPost()
*/
#define OS_Q_POST_FRONT_EN 1  /* Include code for OSQPostFront()
*/
#define OS_Q_POST_OPT_EN  1  /* Include code for OSQPostOpt()
*/
#define OS_Q_QUERY_EN     1  /* Include code for OSQQuery()
*/

/* ----- SEMAPHORES -----
*/
#define OS_SEM_EN         1  /* Enable (1) or Disable (0) code generation for SEMAPHORES
*/
#define OS_SEM_ACCEPT_EN  1  /* Include code for OSSemAccept()
*/
#define OS_SEM_DEL_EN     1  /* Include code for OSSemDel()
*/
#define OS_SEM_QUERY_EN   1  /* Include code for OSSemQuery()
*/

/* ----- TASK MANAGEMENT -----
*/
#define OS_TASK_CHANGE_PRIO_EN 1  /* Include code for OSTaskChangePrio()
*/
#define OS_TASK_CREATE_EN    1  /* Include code for OSTaskCreate()
```

```
*/
#define OS_TASK_CREATE_EXT_EN 1 /* Include code for OSTaskCreateExt()
*/
#define OS_TASK_DEL_EN 1 /* Include code for OSTaskDel()
*/
#define OS_TASK_SUSPEND_EN 1 /* Include code for OSTaskSuspend() and OSTaskResume()
*/
#define OS_TASK_QUERY_EN 1 /* Include code for OSTaskQuery()
*/

/* ----- TIME MANAGEMENT -----
*/
#define OS_TIME_DLY_HMSM_EN 1 /* Include code for OSTimeDlyHMSM()
*/
#define OS_TIME_DLY_RESUME_EN 1 /* Include code for OSTimeDlyResume()
*/
#define OS_TIME_GET_SET_EN 1 /* Include code for OSTimeGet() and OSTimeSet()
*/

typedef INT16U OS_FLAGS; /* Date type for event flag bits (8, 16 or 32 bits)
*/
```

Listing - Listing 13.19

Listing 13.20 shows the contents of a simple TEST.C file that you can start with to prove your compile process. For this first step, there is no need for any more code because all we are trying to accomplish is a build. At this point, its up to you to resolve any compiler, assembler and/or linker errors. You may also get some warnings and you will need to determine whether the warnings are severe enough to be a problem.

```
#include "includes.h"

void main (void)
{
    OSInit();
    OSStart();
}
```

Listing - Listing 13.20 Minimal

Verify OSTaskStkInit() and OSStartHighRdy()

Once you achieved a successful build, you are actually ready to start testing your port. As the title of this section suggest, this step will verify the proper operation of OSTaskStkInit() and OSStartHighRdy().

Testing with a source level debugger

If you have a source level debugger, you should be able to verify this step fairly quickly. I assume you already know how to use your debugger.

Start by modifying `OS_CFG.H` to disable the statistic task by setting `OS_TASK_STAT_EN` to 0. Because your `TEST.C` file (see Listing 13.20) doesn't create any application task, the only task created is the µC/OS-II idle task: `OS_TaskIdle()`. We will step into the code until µC/OS-II switches to `OS_TaskIdle()`.

You should load the code into the debugger and start single stepping into `main()`. You should step over the function `OSInit()` and then step into the code for `OSStart()` (shown in listing 13.21). Step through the code until you reach the call to `OSStartHighRdy()` (the last statement in `OSStart()`) then step into the code for `OSStartHighRdy()`. At this point, your debugger should switch to assembly language mode since `OSStartHighRdy()` is written in assembly language. This is the code you wrote to start the first task and because we didn't create any other task than `OS_TaskIdle()`, `OSStartHighRdy()` should start this task.

```
void OSStart (void)
{
    INT8U y;
    INT8U x;

    if (OSRunning == FALSE) {
        y          = OSUnMapTbl[OSRdyGrp];
        x          = OSUnMapTbl[OSRdyTbl[y]];
        OSPrioHighRdy = (INT8U)((y << 3) + x);
        OSPrioCur   = OSPrioHighRdy;
        OSTCBHighRdy = OSTCBPrioTbl[OSPrioHighRdy];
        OSTCBCur     = OSTCBHighRdy;
        OSStartHighRdy();
    }
}
```

Listing - Listing 13.21 OSStart().

Step through your code and verify that it does what you expect. Specifically, `OSStartHighRdy()` should start populating CPU registers in the reverse order that they were placed onto the task stack by `OSTaskStkInit()` (see `OS_CPU_C.C`). If this doesn't happen, you most likely misaligned the stack pointer. In this case, you will have to correct `OSTaskStkInit()` accordingly. The last instruction in `OSStartHighRdy()` should be a return from interrupt and, as soon as you execute that code, your debugger should be positioned at the first instruction of `OS_TaskIdle()`. If this

doesn't happen, you may not have placed the proper start address of the task onto the task stack and, you will most likely have to correct this in `OSTaskStkInit()`. If your debugger ends up in `OS_TaskIdle()` and you can execute a few times through the infinite loop, you are done with this step and have successfully verified `OSTaskStkInit()` and `OSStartHighRdy()`.

GO/noGO Testing

If you don't have access to a source level debugger but have an LED (Light Emitting Diode) on your target system, you can write a GO/noGO test. What we will do is start by turning OFF the LED and if `OSTaskStkInit()` and `OSStartHighRdy()` works, the LED will be turned ON by the idle task. In fact, the LED will be turned ON and OFF very quickly and will appear to always be ON. If you have an oscilloscope, you will be able to confirm that the LED is blinking at a roughly 50% duty cycle.

For this test, you will need to temporarily modify three files `OS_CFG.H`, `OS_CPU_C.C` and `TEST.C`.

In `OS_CFG.H`, you need to disable the statistic task by setting `OS_TASK_STAT_EN` to 0. In `TEST.C`, you will need to add code to turn OFF the LED as shown in Listing 13.22. In `OS_CPU_C.C`, you need to modify `OSTaskIdleHook()` to toggle the LED as shown in the pseudocode of Listing 13.23.

The next step is to load the code in your target system and run it. If the LED doesn't toggle, you'll need to find out what's wrong in either `OSTaskStkInit()` or `OSStartHighRdy()`. With such limited and primitive tools, the best you can do is carefully inspect your code until you find what you did wrong!

```
#include  includes.h

void main (void)
{
    OSInit();
    Turn OFF LED;
    OSStart();
}
```

Listing - Listing 13.22 Modifying

```
void OSTaskIdleHook (void)
{
    if (LED is ON) {           /* Toggle LED          */
        Turn OFF LED;
    } else {
        Turn ON LED;
    }
}
```

Listing - Listing 13.23 Modifying

Verify OSCtxSw()

This should be an easy step because in the previous step, we verified that the stack frame of a task is correctly initialized by `OSTaskStkInit()`. For this test, we will create an application task and force a context switch back to the idle task. For this test, you need to ensure that you have correctly setup the software interrupt or TRAP to vector to `OSCtxSw()`.

Testing with a Source Level Debugger

Start by modifying `main()` in `TEST.C` as shown in Listing 13.24. For sake of discussion, I decided to assume that the stack of your processor grows downwards from high to low memory and that 100 entries is sufficient stack space for the test task. Of course, you should modify this code according to your own processor requirements.

```
#include "includes.h"

OS_STK TestTaskStk[100];

void main (void)
{
    OSInit();
    OSTaskCreate(TestTask, (void *)0, &TestTaskStk[99], 0);    (1)
    OSStart();
}

void TestTask (void *pdata)    (2)
{
    pdata = pdata;
    while (1) {
        OSTimeDly(1);    (3)
    }
}
```

Listing - Listing 13.24 Testing

- (1) We will create a high priority task. I decided to use priority level 0 but you can use anything below `OS_LOWEST_PRIO` (see `_CFG.H`).
- (2) Since we proved in 13.06.02 that `OSStartHighRdy()` works, µC/OS-II should start executing `TestTask()` as its first task instead of the idle task. You can step through the code until you get to the beginning of `TestTask()`.
- (3) `TestTask()` enters an infinite loop which continuously calls `OSTimeDly(1)`. In other words, `TestTask()` doesn't really do anything except wait for time to expire. Because we didn't enable interrupts nor did we start the clock tick, `OSTimeDly(1)` will never return to `TestTask()`!

You can now step into `OSTimeDly()`. The function `OSTimeDly()` will call `OS_Sched()` and `OS_Sched()` will in turn call the assembly language function `OSCtxSw()`. In most cases, this is accomplished through a TRAP or software interrupt mechanism. In other words, if you setup the software interrupt or TRAP correctly, this instruction should cause the CPU to start executing `OSCtxSw()`. You can step through the code for `OSCtxSw()` and see the registers of `TestTask()` be saved onto its stack and the value of the registers for `OS_TaskIdle()` be loaded into the CPU. When the return from interrupt is executed (for the software interrupt or TRAP), you should be in `OS_TaskIdle()`!

If `OSCtxSw()` doesn't bring you into `OS_TaskIdle()` you will need to find out why and make the necessary corrections to `OSCtxSw()`.

GO/noGO Testing

Modify `main()` in `TEST.C` as shown in Listing 13.25. I decided to assume that the stack of your processor grows downwards from high to low memory and that 100 entries is sufficient stack space for the test task.

```
#include "includes.h"

OS_STK TestTaskStk[100];

void main (void)
{
    OSInit();
    Turn OFF LED;                                     (1)
    OSTaskCreate(TestTask, (void *)0, &TestTaskStk[99], 0); (2)
    OSStart();
}

void TestTask (void *pdata)                           (3)
{
    pdata = pdata;
    while (1) {
        OSTimeDly(1);                                  (4)
    }
}
```

Listing - Listing 13.25 Testing

- (1) You need to turn OFF the LED before you run the rest of the code so that if the test fails, hopefully the LED will be turned OFF. I say hopefully because the processor could crash and stiff turn the LED ON. However, if `OSctxSw()` is written correctly, the LED should toggle very quickly and you can thus verify this with an oscilloscope.
- (2) We will create a high priority task. I decided to use priority level 0 but you can use anything below `OS_LOWEST_PRIO` (see `OS_CFG.H`).
- (3) Since we proved in 13.06.02 that `OSStartHighRdy()` works, µC/OS-II should start executing `TestTask()` as its first task instead of the idle task.
- (4) `TestTask()` enters an infinite loop which continuously calls `OSTimeDly(1)`. In other words, `TestTask()` doesnt really do anything except wait for time to expire. Because we didnt enable interrupts nor did we start the clock tick, `OSTimeDly(1)` will never return to `TestTask()`! When `OSTimeDly(1)` is called, a context switch to the idle task should occur (if `OSctxSw()` is properly written) and you should get the LED to blink very quickly. In fact, it will blink so fast that it will appear to be always ON. You should verify that it blinks using an oscilloscope (if one is available). If the LED is not blinking or is OFF, you will need to find out why and make the necessary corrections to `OSctxSw()`.

Verify OSIntCtxSw() and OSTickISR()

This should be an easy step because OSIntCtxSw() is similar but simpler than OSctxSw(). In fact, most of the code for OSIntCtxSw() can be borrowed from OSctxSw(). For this test, you will need to setup an interrupt vector for the clock tick ISR. We will then initialize the clock tick and enable interrupts.

Start by modifying main() in TEST.C as shown in Listing 13.26.

```
#include "includes.h"

OS_STK TestTaskStk[100];

void main (void)
{
    OSInit();
    Turn LED OFF;                                     (1)
    Install the clock tick interrupt vector;         (2)
    OSTaskCreate(TestTask, (void *)0, &TestTaskStk[99], 0); (3)
    OSStart();
}

void TestTask (void *pdata)                          (4)
{
    BOOLEAN led_state;

    pdata = pdata;
    Initialize the clock tick interrupt (i.e., timer); (5)
    Enable interrupts;                                 (6)
    led_state = FALSE;
    Turn ON LED;                                     (7)
    while (1) {
        OSTimeDly(1);                                 (8)
        if (led_state == FALSE) {                    (9)
            led_state = TRUE;
            Turn ON LED;
        } else {
            led_state = FALSE;
            Turn OFF LED;
        }
    }
}
```

Listing - Listing 13.26 Testing

- (1) Regardless of whether you have a debugger or not, its useful for this test to have access to an LED (or some display device). You need to turn OFF the LED before you run the rest of the code.

- (2) We will need to install the clock tick interrupt vector. You will need to consult your compiler or processor documentation to determine how to do this. Some processors do not allow you to install interrupt vectors at run time (e.g., the Motorola 68HC11 assumes that vectors reside in ROM). The tick interrupt needs to vector to your ports `OSTickISR()`.
- (3) We will create a high priority task. I decided to use priority level 0 but you can use anything below `OS_LOWEST_PRIO` (see `OS_CFG.H`).
- (4) Again, since we proved in 13.06.02 that `OSStartHighRdy()` works, µC/OS-II should start executing `TestTask()` as its first task.
- (5) Upon entry into `TestTask()`, we should initialize the device (typically a timer) to generate a clock tick interrupt at the desired rate. I would recommend making the tick rate 10 Hz or so in order to be able to make the LED blink at 5 Hz. This rate should match what you set `OS_TICKS_PER_SEC` to in `OS_CFG.H`.
- (6) You can now enable interrupts to allow the tick interrupt to invoke `OSTickISR()`.
- (7) Turn ON the LED to show that you made it to `TestTask()`.
- (8) The call to `OSTimeDly()` will cause a context switch to the idle task using `OSCtxSw()`. The idle task will spin until the tick interrupt is received. The tick interrupt should invoke `OSTickISR()` which in turn calls `OSTimeTick()`. `OSTimeTick()` will decrement the `.OSTCBDly` count of `TestTask()` to 0 and make this task ready to run. When `OSTickISR()` completes and calls `OSIntExit()`, `OSIntExit()` should notice that the more important task, `TestTask()`, is ready to run and thus, the ISR will not return to the idle task but instead, context switch back to `TestTask()`. Of course, all this assumes that `OSIntCtxSw()` and `OSTickISR()` are both working.
- (9) If `OSIntCtxSw()` does works, you ought to see the LED blink at 5Hz if you set the tick rate at 10 Hz.

If the LED is not blinking and you are using a debugger, you can set a breakpoint in `OSTickISR()` and follow what's going on. I would also suggest trying to run the ISR without having it call `OSIntExit()`. In this case, you could simply have the ISR blink the LED (or

another LED). If the LED is blinking then the problem is with `OSIntCtxSw()`. Again, because `OSIntCtxSw()` should have been derived from `OSCtxSw()`, I suspect that the problem is in the `OSTickISR()`.

At this point, your port should work and you can now start adding application tasks. Have fun!

OSCtxSw()

void OScTxSw(void)

File	Called from	
OS_CPU_A.ASM	OS_TASK_SW()	Always needed

This function is called to perform a task level context switch. Generally, this function is invoked via a software interrupt instruction (also called a TRAP instruction). The pseudocode for this function is shown below.

```
void OScTxSw (void)
{
    Save processor registers;
    Save the current tasks stack pointer into the current tasks OS_TCB:
        OSTCBCur->OSTCBStkPtr = Stack pointer;
    Call user definable OSTaskSwHook();
    OSTCBCur = OSTCBHighRdy;
    OSPrioCur = OSPrioHighRdy;
    Get the stack pointer of the task to resume:
        Stack pointer = OSTCBHighRdy->OSTCBStkPtr;
    Restore all processor registers from the new tasks stack;
    Execute a return from interrupt instruction;
}
```

Arguments

NONE

Return Value

NONE

Notes/Warnings

Interrupts are disabled when this function is called.

Some compilers will allow you to create software interrupts (or traps) directly in C and thus, you could place this function in OS_CPU_C.C. In some cases, the compiler also requires that you declare the prototype for this function differently. In this case, you can define the #define constant OS_ISR_PROTO_EXT in your INCLUDES.H. This allows you to delare OScTxSw() differently. In other words, you are not forced to use the void OScTxSw(void) prototype.

Example

NONE

OSInitHookBegin()

void OSInitHookBegin(void)

File	Called from	Code enabled in OS_CPU_C.C if
OS_CPU_C.C	OSInit()	OS_CPU_HOOKS_EN == 1

This function is called by OSInit() at the very beginning of OSInit(). This allows you to perform CPU (or other) initialization as part of OSInit(). For example, you can initialize I/O devices from OSInitHookBegin(). The reason this is done is to encapsulate this initialization as part of the port. In other words, it prevents requiring that the user of µC/OS-II know anything about such additional initialization.

Arguments

NONE

Return Value

NONE

Notes/Warnings

NONE

Example

NONE

OSInitHookEnd()

void OSInitHookEnd(void)

File	Called from	Code enabled in OS_CPU_C.C if
OS_CPU_C.C	OSInit()	OS_CPU_HOOKS_EN == 1

This function is called by OSInit() at the very end of OSInit(). This allows you to perform CPU (or other) initialization as part of OSInit(). For example, you can initialize I/O devices from OSInitHookEnd(). The reason this is done is to encapsulate this initialization as part of the port. In other words, it prevents requiring that the user of µC/OS-II know anything about such additional initialization.

Arguments

NONE

Return Value

NONE

Notes/Warnings

NONE

Example

NONE

OSIntCtxSw()

void OSIntCtxSw(void)

File	Called from	
OS_CPU_A.ASM	OSIntExit()	Always needed

This function is called from OSIntExit() when OSIntExit() determines that there is a higher priority task to execute because of an ISR. The pseudocode for this function is shown below.

```
void OSIntCtxSw (void)
{
    Call user-definable OSTaskSwHook();
    OSTCBCur = OSTCBHighRdy;
    OSPrioCur = OSPrioHighRdy;
    Get the stack pointer of the task to resume:
        Stack pointer = OSTCBHighRdy->OSTCBStkPtr;
    Restore all processor registers from the new tasks stack;
    Execute a return from interrupt instruction;
}
```

Arguments

NONE

Return Value

NONE

Notes/Warnings

Interrupts are disabled when this function is called.

Example

NONE

OSStartHighRdy()

void OSStartHighRdy(void)

File	Called from	
OS_CPU_A.ASM	OSStart()	Always needed

This function is called from OSStart() to start the highest priority task that you created prior to you calling OSStart(). The pseudocode for this function is shown below.

```
void OSStartHighRdy (void)
{
    Call user definable OSTaskSwHook();
    OSRunning = TRUE;
    Get the stack pointer of the task to resume:
        Stack pointer = OSTCBHighRdy->OSTCBStkPtr;

    Restore all processor registers from the new task's stack;
    Execute a return from interrupt instruction;
}
void OSStartHighRdy (void)
```

Arguments

NONE

Return Value

NONE

Notes/Warnings

Interrupts are disabled when this function is called.

Example

NONE

OSTaskCreateHook()

```
void OSTaskCreateHook(OS_TCB *ptcb)
```

File	Called from	Code enabled in OS_CPU_C.C if
OS_CPU_C.C	OSTaskCreate() and OSTaskCreateExt()	OS_CPU_HOOKS_EN == 1

This function is called whenever a task is created, after a TCB has been allocated and initialized and after the stack frame of the task is initialized. `OSTaskCreateHook()` allows you to extend the functionality of the task creation function with your own features. For example, you can initialize and store the contents of floating-point registers, MMU registers or anything else that can be associated with a task. Typically, you would store this additional information in memory allocated by your application. You should note that `OSTaskCreateHook()` is called immediately after another hook function called `OSTCBInitHook()`. In other words, either of these functions can be used to initialize the TCB. However, you ought to use `OSTCBInitHook()` for TCB related items and `OSTaskCreateHook()` for other task related items. You could also use `OSTaskCreateHook()` to trigger an oscilloscope or a logic analyzer or to set a breakpoint.

Arguments

`ptcb`

is a pointer to the task control block of the task created.

Return Value

NONE

Notes/Warnings

Interrupts are enabled when this function is called. Because of this, you might need to call `OS_ENTER_CRITICAL()` and `OS_EXIT_CRITICAL()` to protect critical sections inside `OSTaskCreateHook()`.

Example

This example assumes that you created a task using `OSTaskCreateExt()` because it expects to have the `.OSTCBExtPtr` field in the tasks `OS_TCB` contain a pointer to storage for floating-point registers.

```
void OSTaskCreateHook (OS_TCB *ptcb)
{
    if (ptcb->OSTCBExtPtr != (void *)0) {
        /* Save contents of floating-point registers in .. */
        /* .. the TCB extension                               */
    }
}
```

OSTaskDelHook()

```
void OSTaskDelHook(OS_TCB *ptcb)
```

File	Called from	Code enabled in OS_CPU_C.C if
OS_CPU_C.C	OSTaskDel()	OS_CPU_HOOKS_EN == 1

This function is called whenever you delete a task by calling `OSTaskDel()`. You can thus dispose of memory you have allocated through the task create hook, `OSTaskCreateHook()`. `OSTaskDelHook()` is called just before the TCB is removed from the TCB chain. You can also use `OSTaskCreateHook()` to trigger an oscilloscope or a logic analyzer or to set a breakpoint.

Arguments

`ptcb`

is a pointer to the task control block of the task being deleted.

Return Value

NONE

Notes/Warnings

Interrupts are disabled when this function is called. Because of this, you should keep the code in this function to a minimum because it directly affects interrupt latency.

Example

```
void OSTaskDelHook (OS_TCB *ptcb)
{
    /* Output signal to trigger an oscilloscope */
}
```

OSTaskIdleHook()

void OSTaskIdleHook(void)

File	Called from	Code enabled in OS_CPU_C.C if
OS_CPU_C.C	OS_TaskIdle()	OS_CPU_HOOKS_EN == 1

This function is called by the idle task (OS_TaskIdle()) when there are no other higher priority task ready to run. OSTaskIdleHook() can be used to force the CPU in low power mode for battery operated products to conserve energy when none of your tasks need to be serviced.

Arguments

NONE

Return Value

NONE

Notes/Warnings

OSTaskIdleHook() is called with interrupts enabled.

Example

```
void OSTaskIdleHook (void)
{
    /* Put the CPU in low power mode.          */
}
```

OSTaskStatHook()

void OSTaskStatHook(void)

File	Called from	Code enabled in OS_CPU_C.C if
OS_CPU_C.C	OSTaskStat()	OS_CPU_HOOKS_EN == 1

This function is called every second by µC/OS-II's statistic task. OSTaskStatHook() allows you to add your own statistics.

Arguments

NONE

Return Value

NONE

Notes/Warnings

The statistic task starts executing about five seconds after calling OSStart(). Note that this function is not called if either OS_TASK_STAT_EN or OS_TASK_CREATE_EXT_EN is set to 0.

Example

```
void OSTaskStatHook (void)
{
    /* Compute the total execution time of all the tasks    */
    /* Compute the percentage of execution of each task    */
}
```

OSTaskStkInit()

```
OS_STK *OSTaskStkInit(void (*task)(void *pd), void *pdata, OS_STK *ptos, INT16U
opt);
```

File	Called from	
OS_CPU_C.C	OSTaskCreate() or OSTaskCreateExt()	Always needed

This function is called by either `OSTaskCreate()` or `OSTaskCreateExt()` to initialize the stack frame of a task. Generally speaking, the stack frame is made to look las if an interrupt just occurred and all the CPU registers were saved onto it. The pseudocode for this function is shown below.

```
OS_STK *OSTaskStkInit (void (*task)(void *pd),
                      void *pdata,
                      OS_STK *ptos,
                      INT16U opt);
{
    Simulate call to function with an argument (i.e., pdata);
    Simulate ISR vector;
    Setup stack frame to contain desired initial values of all registers;
    Return new top-of-stack pointer to caller;
}
```

Arguments

`task`

is a pointer to the task code (i.e., the address of the function you want to declare as a task).

`pdata`

is a pointer to a user supplied data area that will be passed to the task when the task first executes. Sometimes, the compiler will pass `pdata` into registers while other compilers will pass `pdata` on the stack. You will need to consult your compiler documentation for the actual method used.

`ptos`

is a pointer to the top of stack. It is assumed that `ptos` points to a 'free' entry on the task stack. If `OS_STK_GROWTH` is set to 1 then `ptos` will contain the **HIGHEST** valid address of the stack. Similarly, if `OS_STK_GROWTH` is set to 0, `ptos` will contains the **LOWEST** valid address of the stack.

`opt`

specifies options that can be used to alter the behavior of `OSTaskStkInit()`. See `uCOS_II.H` for `OS_TASK_OPT_???`.

Return Value

A pointer to the new top-of-stack.

Notes/Warnings

Interrupts are enabled when this function is called.

Example

NONE

OSTaskSwHook()

void OSTaskSwHook(void)

File	Called from	Code enabled in OS_CPU_C.C if
OS_CPU_C.C	OSCtxSw() and OSIntCtxSw()	OS_CPU_HOOKS_EN == 1

This function is called whenever a context switch is performed. The global variable OSTCBHighRdy points to the TCB of the task that will get the CPU, and OSTCBCur points to the TCB of the task being switched out. OSTaskSwHook() is called just after saving the tasks registers and after saving the stack pointer into the current tasks TCB. You can use this function to save/restore the contents of floating-point registers or MMU registers, to keep track of task execution time and of how many times the task has been switched-in, and more. OSTaskSwHook() is also called by OSStartHighRdy(). Because of this, you need to verify the flag OSRunning in OSTaskSwHook() so you dont perform any action as you would when a task is switched-out (see the example).

Arguments

NONE

Return Value

NONE

Notes/Warnings

Interrupts are disabled when this function is called. Because of this, you should keep the code in this function to a minimum because it directly affects interrupt latency.

Example

```
void OSTaskSwHook (void)
{
    if (OSRunning == TRUE) {
        /* Save floating-point registers in current tasks TCB ext. */
    }
    /* Restore floating-point registers from new tasks TCB ext. */
}
```


OSTCBInitHook()

```
void OSTCBInitHook(OS_TCB *ptcb)
```

File	Called from	Code enabled in OS_CPU_C.C if
OS_CPU_C.C	OS_TCBInit()	OS_CPU_HOOKS_EN == 1

This function is called whenever a task is created, after a TCB has been allocated and initialized and when the stack frame of the task is initialized. `OSTCBInitHook()` allows you to extend the functionality of the TCB creation function with your own features. For example, you can initialize and store the contents of floating-point registers, MMU registers or anything else that can be associated with a task. Typically, you would store this additional information in memory allocated by your application. You should note that `OSTCBInitHook()` is called immediately before `OSTaskCreateHook()`. In other words, either of these functions can be used to initialize the TCB. However, you ought to use `OSTCBInitHook()` for TCB related items and `OSTaskCreateHook()` for other task related items.

Arguments

`ptcb`

is a pointer to the task control block of the task created.

Return Value

NONE

Notes/Warnings

Interrupts are enabled when this function is called. Because of this, you might need to call `OS_ENTER_CRITICAL()` and `OS_EXIT_CRITICAL()` to protect critical sections inside `OSTCBInitHook()`.

Example

This example assumes that you created a task using OSTaskCreateExt() because it expects to have the .OSTCBExtPtr field in the tasks OS_TCB contain a pointer to storage for floating-point registers.

```
void OSTCBInitHook (OS_TCB *ptcb)
{
    if (ptcb->OSTCBExtPtr != (void *)0) {
        /* Save contents of floating-point registers in .. */
        /* .. the TCB extension                               */
    }
}
```

OSTickISR()

void OSTickISR(void)

File	Called from	
OS_CPU_A.ASM	Tick Interrupt	Always needed

When a tick interrupt occurs, the CPU needs to vector to this Interrupt Service Routine (ISR). The pseudocode for the ISR is shown below.

```
Void OSTickISR (void)
{
    Save processor registers;
    Call OSIntEnter() or increment OSIntNesting;
    if (OSIntNesting == 1) {
        OSTCBCur->OSTCBStkPtr = Stack Pointer;
    }
    Clear interrupting device;
    Re-enable interrupts (optional);
    Call OSTimeTick();
    Call OSIntExit();
    Restore processor registers;
    Execute a return from interrupt instruction;
}
```

Arguments

NONE

Return Value

NONE

Notes/Warnings

1. The interrupting device that causes `OSTickISR()` to be called should generally be setup to generate an interrupt every 10 to 100 mS.
2. Some compilers will allow you to create ISRs directly in C and thus, you could place this function in `OS_CPU_C.C`. In some cases, the compiler also requires that you declare the prototype for this function differently. In this case, you can define the `#define` constant `OS_ISR_PROTO_EXT` in your `INCLUDES.H`. This allows you to delare `OSTickISR()` differently. In other words, you are not forced to use the `void OSTickISR(void)` prototype.

Example

NONE

OSTimeTickHook()

void OSTimeTickHook(void)

File	Called from	Code enabled in OS_CPU_C.C if
OS_CPU_C.C	OSTimeTick()	OS_CPU_HOOKS_EN == 1

This function is called by OSTimeTick(), which in turn is called whenever a clock tick occurs. OSTimeTickHook() is called immediately upon entering OSTimeTick(), to allow execution of time-critical code in your application. You can also use this function to trigger an oscilloscope for debugging, trigger a logic analyzer, or establish a breakpoint for an emulator.

Arguments

NONE

Return Value

NONE

Notes/Warnings

OSTimeTick() is generally called by an ISR, so the execution time of the tick ISR is increased by the code you provide in this function. Interrupts may or may not be enabled when OSTimeTickHook() is called, depending on how the processor port has been implemented. If interrupts are disabled, this function affects interrupt latency.

Example

```
void OSTimeTickHook (void)
{
    /* Trigger an oscilloscope          */
}
```

80x86 Port with Emulated FP Support

Real Mode, Large Model with Emulated Floating-Point Support

This chapter describes how µC/OS-II has been ported to the Intel 80x86 series of processors running in real mode, large model for the Borland C++ V4.51 tools. This port assumes that your application will not be doing any floating-point math or, if it does, it will use the Borland *Floating-Point Emulation* library. In other words, I assumed that you would use this port with embedded 80186, 80286, 80386 or even 'plain' 8086 class processors which rely only on integer math. This port can also be adapted (i.e., changed) to run 'plain' 8086 processors but requires that you replace the use of the PUSHA instruction with the proper number of PUSH instructions.

The Intel 80x86 series includes the 80186, 80286, 80386, 80486, Pentiums™ (all models), Celeron as well most 80x86 processors from AMD, NEC (V-series), and others. Literally millions of 80x86 CPUs are sold each year. Most of these end up in desktop computers, but a growing number of processors are making their way into embedded systems.

Most C compilers that support 80x86 processors running in real mode offer different memory models, each suited for a different program and data size. Each model uses memory differently. The large model allows your application (code and data) to reside in a 1Mb memory space. Pointers in this model require 32 bits, although they only address up to 1Mb. The next section shows why a 32-bit pointer in this model can only address 20 bits worth of memory.

Figure 14.1 shows the programming model of an 80x86 processor running in real mode. All registers are 16 bits wide, and they all need to be saved during a context switch. As can be seen, there are no floating-point registers since these are emulated by the Borland compiler library using the integer registers.

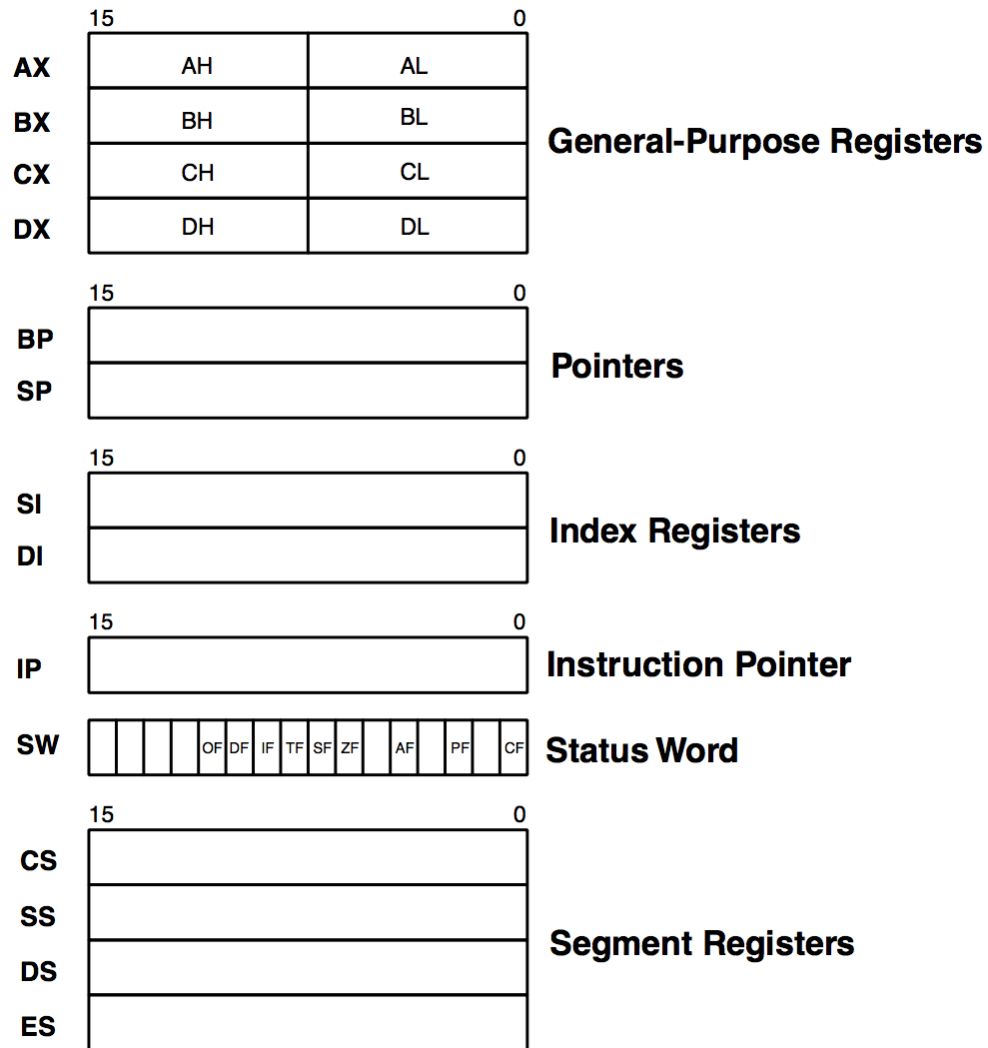


Figure - Figure 14.1 80x86 real-mode register model.

The 80x86 provides a clever mechanism to access up to 1Mb of memory with its 16-bit registers. Memory addressing relies on using a segment and an offset register. Physical address calculation is done by shifting a segment register by four (multiplying it by 16) and adding one of five other registers (BP, SP, SI, DI, or IP). The result is a 20-bit address that can access up to 1Mb. Figure 14.2 shows how the registers are combined. Each segment points to a block of 16 memory locations called a paragraph. A 16-bit segment register can point to any of 65,536 different paragraphs of 16 bytes and thus address 1,048,576 bytes. Because the offset is also 16 bits, a single segment of code cannot exceed 64Kb. In practice, however, programs are made up of many smaller segments.

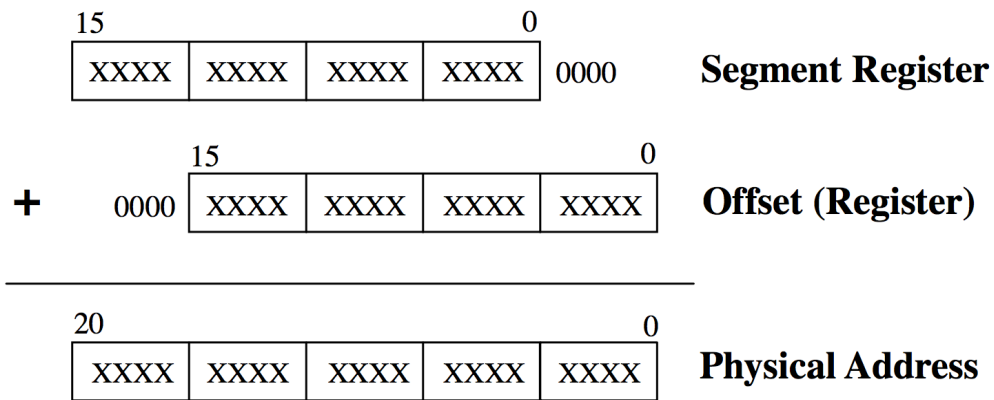


Figure - Figure 14.2 Addressing with a segment and an offset.

The code segment register (CS) points to the base of the program currently executing, the stack segment register (SS) points to the base of the stack, the data segment register (DS) points to the base of one data area, and the extra segment register (ES) points to the base of another area where data may be stored. Each time the CPU needs to generate a memory address, one of the segment registers is automatically chosen and its contents is added to an offset. It is common to find the segment-colon-offset notation in literature to reference a memory location. For example, 1000:00FF represents physical memory location 0x100FF.

Development Tools

I used the Borland C/C++ V4.51 compiler along with the Borland Turbo Assembler to port and test the 80x86 port. This compiler generates reentrant code and provides in-line assembly language instructions that can be inserted in C code. The compiler comes with a floating-point emulation library that simulates the floating-point hardware found on 80x86 processors equipped with floating-point hardware. Once compiled, the code is executed on a PC. I tested the code on a 300 MHz Pentium-II-based computer running the Microsoft Windows 2000 operating system. In fact, I configured the compiler to generate a DOS executable which was run in a DOS window.

I thought of changing compilers because some readers have complained that they can't find the Borland tools anymore which makes it harder to build the example code provided in this book. It turns out that a similar compiler and assembler that will compile the example code is in fact available from Borland for only \$70 USD (circa 2002). Borland calls it the *Turbo C++ Suite for DOS* and you can order a copy by visiting the Borland web site at www.Borland.com and follow the links to this product.

You can also get professional 80x86 level tools from Paradigm (www.DevTools.com) that

contains not only a Borland compatible compiler and assembler but also an IDE (Integrated Development Environment), a utility that will allow you to *locate* your code for deployment in embedded systems, a source level debugger and more. Paradigm calls their package the *Paradigm C++ Professional Real*.

Finally, you can also adapt the port provided in this chapter to other 80x86 compiler as long as they generate real-mode code. You will most likely have to change some of the compiler options and assembler directives if you use a different development environment.

Table 14.1 shows the Borland C/C++ compiler V4.51 options (i.e., flags) supplied on the command line. These settings were used to compile the port as well as the example code provided in Chapter 1.

Option (i.e., setting)	Description
-1	Generate 80186 code
-B	Compile and call assembler
-c	Compiler to .OBJ
-G	Select code for speed
-I	Path to compiler include files is C:\BC45\INCLUDE
-k-	Standard stack frame
-L	Path to compiler libraries is C:\BC45\LIB
-ml	Large memory model
-N-	Do not check for stack overflow
-n..obj	Path where to place object files is ..\OBJ
-O	Optimize jumps
-Ob	Dead code elimination
-Oe	Global register allocation
-Og	Optimize globally
-Oi	Expand common intrinsic functions inline
-Ol	Loop optimization
-Om	Invariant code motion
-Op	Copy propagation
-Ov	Induction variable
-v	Source debugging ON
-vi	Turn inline expansion ON
-wpro	Error reporting: call to functions with no prototype
-Z	Suppress redundant loads

Table - Table 14.1, Compiler options used to compile port and examples.

Table 14.2 shows the Borland Turbo Assembler V4.0 options (i.e., flags) supplied on the command line. These settings were used to assemble the port's OS_CPU_A.ASM.

Option (i.e., setting)	Description
/MX	Case sensitive on globals
/ZI	Full debug info
/O	Generate overlay code

Table - Table 14.2, Assembler options used to assemble .ASM files.

Directories and Files

The installation program provided on the companion CD installs the port for the Intel 80x86 (real mode, large model) on your hard disk. The port is found under the \SOFTWARE\µCOS-II\I: directory. The directory name stands for **I**ntel 80 **x86** real mode, **L**arge model and is placed in the **B**orland **C**++ **V**4.5 **x** directory. The source code for the port is found in the following files: OS_CPU.H, OS_CPU.C, and OS_CPU.A.ASM.

INCLUDES.H

INCLUDES.H is a master include file and is found at the top of all .C files. INCLUDES.H allows every .C file in your project to be written without concern about which header file is actually needed. The only drawbacks to having a master include file are that INCLUDES.H may include header files that are not pertinent to the actual .C file being compiled and the compilation process may take longer. These inconveniences are offset by code portability. You can edit INCLUDES.H to add your own header files, but your header files should be added at the end of the list. Listing 14.1 shows the contents of INCLUDES.H for the 80x86 port.

INCLUDES.H is not really part of the port but is described here because it is needed to compile the port files.

```
#include <stdio.h>
#include <string.h>
#include <ctype.h>
#include <stdlib.h>
#include <conio.h>
#include <dos.h>
#include <math.h>
#include <setjmp.h>

#include "os_cpu.h"
#include "os_cfg.h"
#include "ucos_ii.h"
#include "pc.h"
```

Listing - Listing 14.1 INCLUDES.H.

OS_CPU.H

OS_CPU.H contains processor- and implementation-specific #defines constants, macros, and typedefs. OS_CPU.H for the 80x86 port is shown in Listing 14.2.

OS_CPU_GLOBALS and OS_CPU_EXT allows us to declare global variables that are specific to this port (described later).

```
#ifdef OS_CPU_GLOBALS
#define OS_CPU_EXT
#else
#define OS_CPU_EXT extern
#endif

typedef unsigned char  BOOLEAN;           (1)
typedef unsigned char  INT8U;
typedef signed   char  INT8S;
typedef unsigned int   INT16U;
typedef signed   int   INT16S;
typedef unsigned long  INT32U;
typedef signed   long  INT32S;
typedef float          FP32;              (2)
typedef double         FP64;

typedef unsigned int   OS_STK;            (3)
typedef unsigned short OS_CPU_SR;        (4)

#define BYTE          INT8S              (5)
#define UBYTE         INT8U
#define WORD          INT16S
#define UWORD         INT16U
#define LONG          INT32S
#define ULONG         INT32U
```

Listing - Listing 14.2

- (1) If you were to consult the Borland compiler documentation, you would find that an int is 16 bits and a long is 32 bits.
- (2) Floating-point data types are included even though µC/OS-II doesn't make use of floating-point numbers.
- (3) A stack entry for the 80x86 processor running in real mode is 16 bits wide; thus, OS_STK is declared accordingly. All task stacks must be declared using OS_STK as its data type.
- (4) The status register (also called the processor flags) on the 80x86 processor running in real mode is 16 bits wide. The OS_CPU_SR data type is used only if OS_CRITICAL_METHOD is set to 3 which it isn't for this port. I included the OS_CPU_SR data type anyway, in case you use a different compiler and need to use OS_CRITICAL_METHOD #3.
- (5) I also included data types to allow for backward compatibility with older µC/OS V1.xx applications. These are not necessary if you don't have any applications written with µC/OS V1.xx.

OS_CPU.H, OS_ENTER_CRITICAL() and OS_EXIT_CRITICAL()

```
#define OS_CRITICAL_METHOD 2 (6)

#if OS_CRITICAL_METHOD == 1
#define OS_ENTER_CRITICAL() asm CLI (7)
#define OS_EXIT_CRITICAL() asm STI
#endif

#if OS_CRITICAL_METHOD == 2
#define OS_ENTER_CRITICAL() asm {PUSHF; CLI} (8)
#define OS_EXIT_CRITICAL() asm POPF
#endif

#if OS_CRITICAL_METHOD == 3
#define OS_ENTER_CRITICAL() (cpu_sr = OSCPUsaveSR()) (9)
#define OS_EXIT_CRITICAL() (OSCPURestoreSR(cpu_sr))
#endif

#if OS_CRITICAL_METHOD == 3 (10)
OS_CPU_SR OSCPUsaveSR(void);
void OSCPURestoreSR(OS_CPU_SR cpu_sr);
#endif
```

Listing - Listing 14.2

- (6) µC/OS-II, as with all real-time kernels, needs to disable interrupts in order to access critical sections of code and re-enable interrupts when done. Because the Borland compiler supports in-line assembly language, it's quite easy to specify the instructions to disable and enable interrupts. µC/OS-II defines two *macros* to disable and enable interrupts: `OS_ENTER_CRITICAL()` and `OS_EXIT_CRITICAL()`, respectively. I actually allow you to use one of three methods for disabling and enabling interrupts. For this port, the preferred one is method #2 because it's directly supported by the compiler.

OS_CRITICAL_METHOD == 1

- (7) The first and simplest way to implement these two macros is to invoke the processor instruction to disable interrupts (CLI) for `OS_ENTER_CRITICAL()` and the enable interrupts instruction (STI) for `OS_EXIT_CRITICAL()`.

OS_CRITICAL_METHOD == 2

- (8) The second way to implement `OS_ENTER_CRITICAL()` is to save the interrupt disable status onto the stack and then disable interrupts. This is accomplished on the 80x86 by executing the `PUSHF` instruction followed by the `CLI` instruction. `OS_EXIT_CRITICAL()` simply needs to execute a `POPF` instruction to restore the original contents of the processor's SW register.

OS_CRITICAL_METHOD == 3

- (9) The third way to implement `OS_ENTER_CRITICAL()` is to write a function that will save the status register of the CPU in a variable. `OS_EXIT_CRITICAL()` invokes another function to restore the status register from the variable. I didn't include this code in the port but if you are familiar with assembly language, you should be able to write this easily.
- (10) I recommend that you call the functions expected in `OS_ENTER_CRITICAL()` and `OS_EXIT_CRITICAL()`: `OSCPUsaveSR()` and `OSCPUrestoreSR()`, respectively. You would declare the code for these two functions in `OS_CPU_A.ASM`.

OS_CPU.H, Stack Growth

```
#define OS_STK_GROWTH 1 (11)
```

Listing - Listing 14.2

(11) The stack on an 80x86 processor grows from high to low memory, which means that OS_STK_GROWTH must be set to 1.

OS_CPU.H, OS_TASK_SW()

```
#define uCOS 0x80 (12)
#define OS_TASK_SW() asm INT uCOS (13)
```

Listing - Listing 14.2

(13) To switch context, OS_TASK_SW() needs to simulate an interrupt. The 80x86 provides 256 software interrupts to accomplish this. The interrupt service routine (ISR) (also called the exception handler) must vector to the assembly language function OSctxSw() (see OS_CPU_A.ASM). We thus need to ensure that the pointer at vector 0x80 points to OSctxSw().

(12) I tested the code on a PC and I decided to use interrupt number 128 (0x80) because I found it to be available. Actually, the original PC used interrupts 0x80 through 0xF0 for the BASIC interpreter. Few if any PCs come with a BASIC interpreter built in anymore so it should be safe to use these vectors. Optionally, you can also use vectors 0x4B to 0x5B, 0x5D to 0x66, or 0x68 to 0x6F. If you use this port on an embedded processor such as the 80186, you will most likely not be as restricted in your choice of vectors.

OS_CPU.H, Tick Rate

The tick rate for an RTOS should generally be set between 10 and 100Hz. It is always preferable (but not necessary) to set the tick rate to a round number. Unfortunately, on the PC, the default tick rate is 18.20648Hz, which is not what I would call a nice round number. For this port, I decided to change the tick rate of the PC from the standard 18.20648Hz to 200Hz (i.e., 5ms between ticks). There are three reasons to do this:

1. 200Hz happens to be almost exactly 11 times faster than 18.20648Hz. The port will need to “chain” into DOS once every 11 ticks. In DOS, the tick handler is responsible for some system maintenance that is expected to happen every 54.93ms.
2. It’s useful to have a 5.00ms time resolution for time delays and timeouts. If you are running the example code on an 80386 PC, you may find the overhead of a 200Hz tick rate to be unacceptable. However, on todays fast Pentium class processors, a 200Hz tick rate is not likely to be a problem.
3. Even if it’s possible to change the tick rate on a PC to be exactly 20 Hz or even 100 Hz, it would be difficult to chain into the DOS tick handler at exactly 18.20648Hz. That’s why I chose an exact multiple and thus, had to choose 200 Hz. Of course, I could also have used 22 as a multiple and would have obtained 400 Hz (2.5 ms). On a fast PC, you should have no problems running at this tick rate or even faster.

```
OS_CPU_EXT INT8U OSTickDOSCtr; (14)
```

Listing - Listing 14.2

L14.2(14) This statement declares an 8-bit variable (`OSTickDOSCtr`) that keeps track of the number of times the ticker is called. Every 11th time, the DOS tick handler is called. `OSTickDOSCtr` is used in `OS_CPU_A.ASM` and really only applies to a PC environment. You most likely would not use this scheme if you designed an embedded system around a non-PC architecture because you would set the tick rate to the proper value in the first place.

OS_CPU.H, Floating-Point Emulation

As previously mentioned, the Borland compiler provides a floating-point emulation library. However, this library is non-reentrant.

```
void OSTaskStkInit_FPE_x86(OS_STK **pptos, OS_STK **ppbos, INT32U *psize); (15)
```

Listing - Listing 14.2

(15) A function has been added to allow you to ‘pre-condition’ the stack of a task in order to make the Borland library think it only has one task and thus, make the library reentrant. This function will be discussed in section 14.05.02.

OS_CPU_C.C

A µC/OS-II port requires that you write ten fairly simple C functions:

```
OSTaskStkInit()  
OSTaskCreateHook()  
OSTaskDelHook()  
OSTaskSwHook()  
OSTaskIdleHook()  
OSTaskStatHook()  
OSTimeTickHook()  
OSInitHookBegin()  
OSInitHookEnd()  
OSTCBInitHook()
```

µC/OS-II only requires `OSTaskStkInit()`. The other nine functions must be declared but don't need to contain any code. In the case of this port, I did just that. The `#define` constant `OS_CPU_HOOKS_EN` (see `OS_CFG.H`) should be set to 1.

OSTaskStkInit()

This function is called by `OSTaskCreate()` and `OSTaskCreateExt()` to initialize the stack frame of a task so that it looks as if an interrupt has just occurred and all processor registers were pushed onto it. Figure 14.3 shows what `OSTaskStkInit()` puts on the stack of the task being created. Note that the diagram doesn't show the stack frame of the code calling `OSTaskStkInit()` but rather, the stack frame of the task being created.

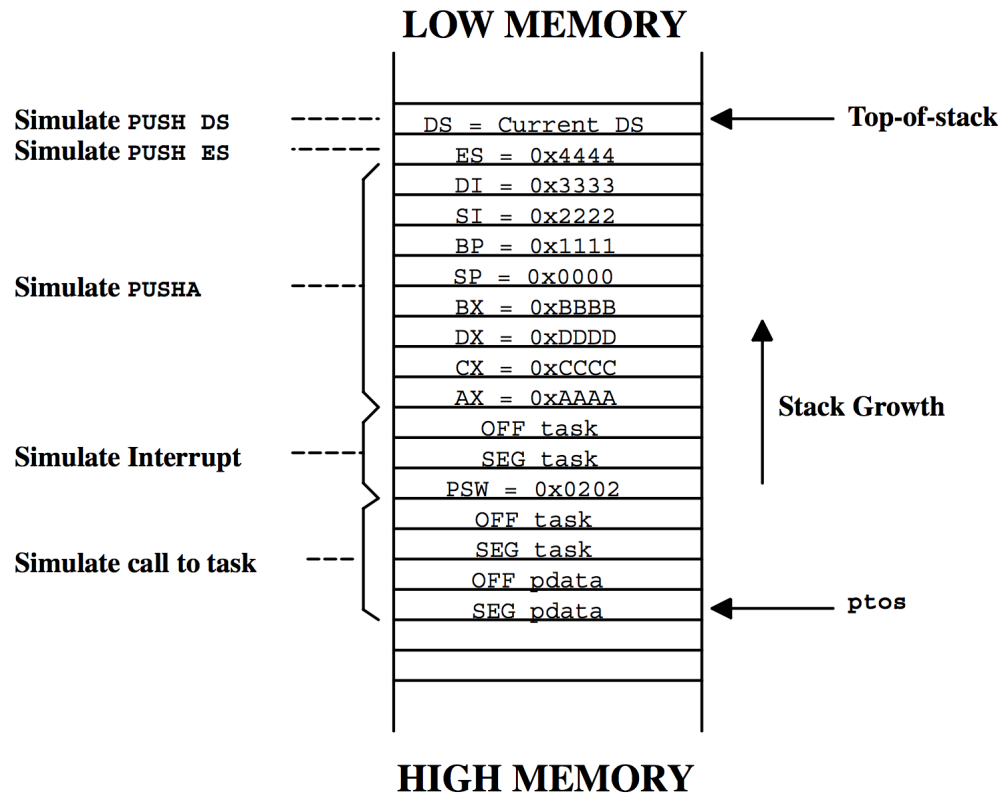


Figure - Figure 14.3 Stack frame initialization with pdata passed on the stack.

When you create a task, you pass the start address of the task (task), a pointer (pdata), the task's top-of-stack (ptos), and the task's priority (prio) to OSTaskCreate() or OSTaskCreateExt(). OSTaskCreateExt() requires additional arguments, but these are irrelevant in discussing OSTaskStkInit(). To properly initialize the stack frame, OSTaskStkInit() (Listing 14.3) requires only the first three arguments just mentioned (i.e., task , pdata , and ptos).

```
OS_STK *OSTaskStkInit (void (*task)(void *pd),
                      void *pdata,
                      OS_STK *ptos,
                      INT16U opt)
{
    INT16U *stk;

    opt    = opt;
    stk    = (INT16U *)ptos;           (1)
    *stk-- = (INT16U)FP_SEG(pdata);   (2)
    *stk-- = (INT16U)FP_OFF(pdata);
    *stk-- = (INT16U)FP_SEG(task);    (3)
    *stk-- = (INT16U)FP_OFF(task);
    *stk-- = (INT16U)0x0202;         (4)
    *stk-- = (INT16U)FP_SEG(task);
    *stk-- = (INT16U)FP_OFF(task);
    *stk-- = (INT16U)0xAAAA;         (5)
    *stk-- = (INT16U)0xCCCC;
    *stk-- = (INT16U)0xDDDD;
    *stk-- = (INT16U)0xBBBB;
    *stk-- = (INT16U)0x0000;
    *stk-- = (INT16U)0x1111;
    *stk-- = (INT16U)0x2222;
    *stk-- = (INT16U)0x3333;
    *stk-- = (INT16U)0x4444;
    *stk   = _DS;                     (6)
    return ((OS_STK *)stk);          (7)
}
```

Listing - Listing 14.3

- (1) OSTaskStkInit() creates and initializes a local pointer to 16-bit elements because stack entries are 16 bits wide on the 80x86. Note that µC/OS-II requires that the pointer ptos points to an empty stack entry.
- (2) The Borland C compiler passes the argument pdata on the stack instead of registers. Because of this, pdata is placed on the stack frame with the offset and segment in the order shown.
- (3) The address of your task is placed on the stack next. In theory, this should be the return address of your task. However, in µC/OS-II, a task must never return, so what is placed here is not really critical.
- (4) The status word (SW) along with the task address are placed on the stack to simulate the behavior of the processor in response to an interrupt. The SW register is initialized to 0x0202. This allows the task to have interrupts enabled when it starts. You can in fact start all your tasks with interrupts disabled by forcing SW to 0x0002 instead. There are no options in µC/OS-II to selectively enable interrupts upon startup for some tasks and

disable interrupts upon task startup for others. In other words, either all tasks have interrupts disabled upon startup or all tasks have them disabled. You could, however, overcome this limitation by passing the desired interrupt startup state of a task by using `pdata` or the `opt` argument for task created with `OSTaskCreateExt()`. However, the latter is not currently implemented. If you chose to have interrupts disabled, each task needs to enable them when they execute. In this case, you also have to modify the code for `OS_TaskIdle()` and `OS_TaskStat()` to enable interrupts in those functions. If you don't, your application will crash! I would thus recommend that you leave `SW` initialized to `0x0202` and have interrupts enabled when the task starts.

- (5) The remaining registers are placed on the stack to simulate the `PUSHA`, `PUSH ES`, and `PUSH DS` instructions, which are assumed to be found at the beginning of every `ISR`. Note that the `AX`, `BX`, `CX`, `DX`, `SP`, `BP`, `SI`, and `DI` registers are placed to satisfy the order of the `PUSHA` instruction. If you port this code to a 'plain' 8086 processor, you may want to simulate the `PUSHA` instruction or place the registers in a neater order. You should also note that each register has a unique value instead of all zeros. This can be useful for debugging.
- (6) Also, the Borland compiler supports "pseudoregisters" (i.e., the `_DS` keyword notifies the compiler to obtain the value of the `DS` register), which in this case is used to copy the current value of the `DS` register to the simulated stack frame.
- (7) Once completed, `OSTaskStkInit()` returns the address of the new top-of-stack. `OSTaskCreate()` or `OSTaskCreateExt()` takes this address and saves it in the task's `OS_TCB`.

OSTaskStkInit_FPE_x86()

When floating-point emulation is enable (see the Borland documentation), the stack of the Borland compiled program is organized as shown in Figure 14.3. The compiler assumes that the application runs in a single threaded (i.e., tasking) environment.

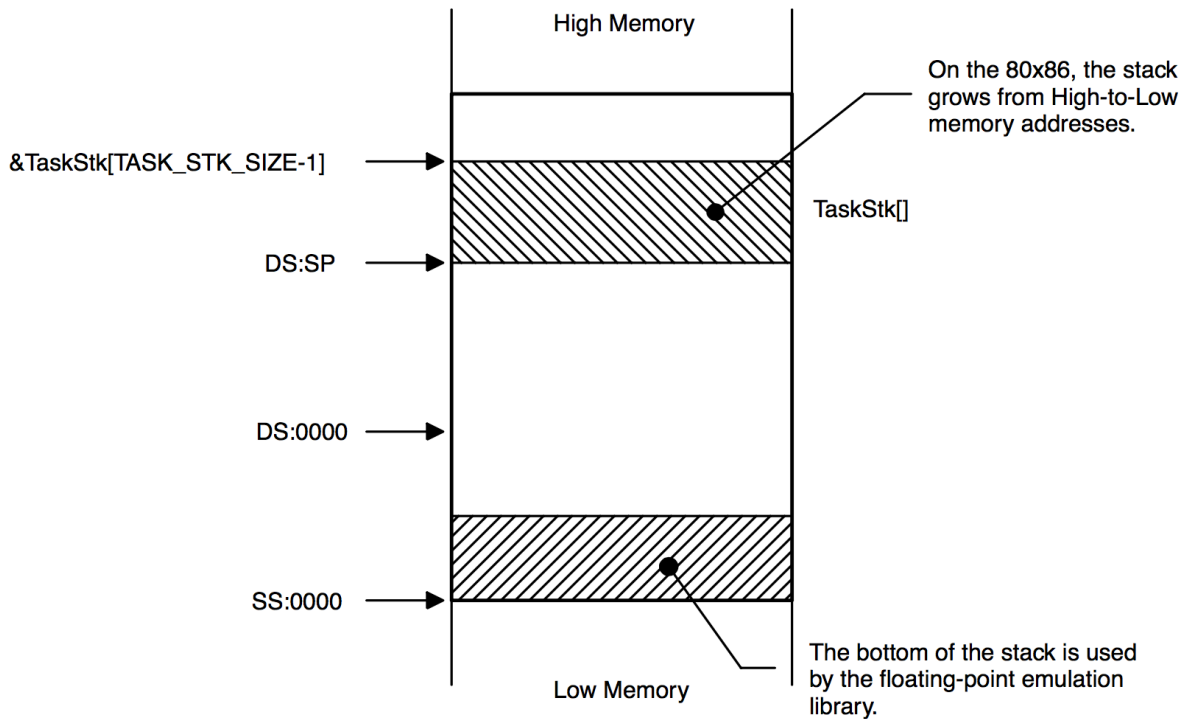


Figure - Figure 14.5 Borland Floating-Point emulation stack.

The Borland C Floating-Point Emulation (FPE) library assumes that about 300 bytes starting at SS:0x0000 are reserved to hold floating-point emulation variables. As far as I can tell, this applies to the 'large memory model' only. To accommodate this, a special function (OSTaskStkInit_FPE_x86()) must be called prior to calling either OSTaskCreate() or OSTaskCreateExt() to properly initialize the stack frame of each task that needs to perform floating-point operations. This function applies to Borland V3.x and V4.5x compilers and thus, OSTaskStkInit_FPE_x86() would most likely not be included in a port using a different compiler.

The floating-point emulation library stores its data within the reserved space in relation to the current SS register value, assuming that some space starting from SS up (from SS:0x0000 up) is reserved for floating point operations.

µCOS-II's task stacks are generally allocated statically as shown below.

```
OS_STK Task1Stk[TASK_STK_SIZE]; /* stack table for task 1 */
OS_TSK Task2Stk[TASK_STK_SIZE]; /* stack table for task 2 */
```

When a task is created by µCOS-II the highest table address of the stack is pass to

OSTaskCreate() (or OSTaskCreateExt()) as shown below:

```
OSTaskCreate(Task1, (void*)0, &Task1Stk[TASK_STK_SIZE-1], prio1);
OSTaskCreate(Task2, (void*)0, &Task2Stk[TASK_STK_SIZE-1], prio2);
```

The stack of Task1() starts at DS:&Task1Stk[TASK_STK_SIZE-1] while the stack of Task2() starts at DS:&Task2Stk[TASK_STK_SIZE-1]. Once initialized by µC/OS-II, the tasks top-of-stack (TOS) is saved in the task's OS_TCB (Task Control Block).

The stack of the two tasks created from the previous code is shown in Figure 14.5. As can be seen, both tasks are part of the same segment and, more importantly, they share the same segment base since both stacks are allocated from the same data segment. When µC/OS-II loads a task during a context switch, it sets the SS register to the value of the DS register of the stack. This causes a problem since both tasks would have to share the same floating-point emulation variables!

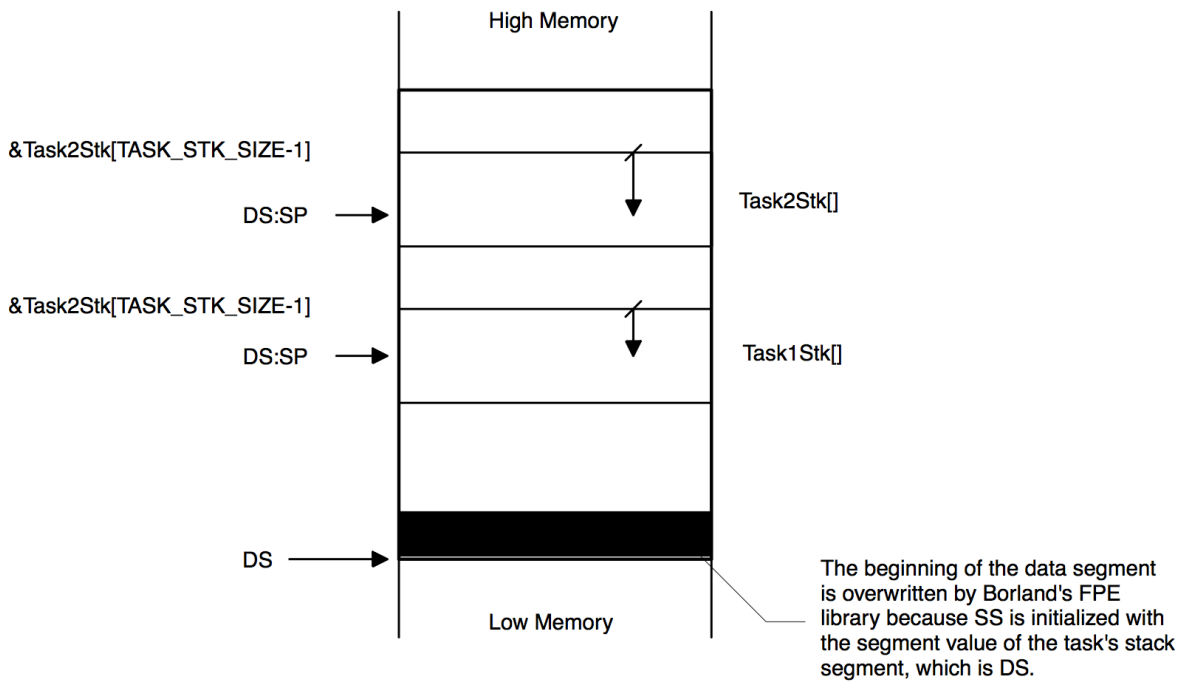


Figure - Figure 14.5 Borland Floating-Point emulation stack.

The beginning of the data segment is overwritten with the floating-point emulation library even when we use a semaphore. Protecting this resource with a semaphore would allow exclusive access to the floating-point variables but it does not protect the data segment from being overwriting. Even a single µCOS-II task using floating point overwrites the data segment!

Further system behavior depends on what data are overwritten and typically data segment overwriting crashes the system.

A similar situation occurs when the stacks are allocated from the heap since we don't know what part of memory is being overwritten. Typically, the heap is corrupted because the floating-point emulation library overwrites the header of the heap allocated block.

To fix this problem, the function `OSTaskStkInit_FPE_x86()` shown in Listing 14.4 needs to be called prior to creating a task. This function basically 'normalizes' the stack so that every stack starts at `SS:0x0000` and, the function reserves and properly initializes the floating-point emulation variables for the task being created.

```
void OSTaskStkInit_FPE_x86 (OS_STK **pptos,
                           OS_STK **ppbos,
                           INT32U *psize)
{
    INT32U  lin_tos;
    INT32U  lin_bos;
    INT16U  seg;
    INT16U  off;
    INT32U  bytes;

    seg      = FP_SEG(*pptos);                (1)
    off      = FP_OFF(*pptos);                (2)
    lin_tos  = ((INT32U)seg << 4) + (INT32U)off;
    bytes    = *psize * sizeof(OS_STK);      (3)
    lin_bos  = (lin_tos - bytes + 15) & 0xFFFFFFF0L; (4)

    seg      = (INT16U)(lin_bos >> 4);        (5)
    *ppbos   = (OS_STK *)MK_FP(seg, 0x0000);  (6)
    memcpy(*ppbos, MK_FP(_SS, 0), 384);       (7)
    bytes    = bytes - 16;                    (8)
    *pptos   = (OS_STK *)MK_FP(seg, (INT16U)bytes); (9)
    *ppbos   = (OS_STK *)MK_FP(seg, 384);     (10)
    bytes    = bytes - 384;                   (11)
    *psize   = bytes / sizeof(OS_STK);       (12)
}
```

Listing - Listing 14.4 OS_CPU_C.C, OSTaskStkInit_FPE_x86()

- (1) `OSTaskStkInit_FPE_x86()` starts off by decomposing the TOS into its segment and offset components.
- (2) We then convert the address of the TOS into a linear address. Remember that on the 80x86 (Real Mode), the segment is multiplied by 16 and added to the offset to form the actual memory address.

- (3) We then determine the size of the stack (in number of bytes). Remember that with µC/OS-II, you must declare a stack using the `OS_STK` data type which may represent an 8-bit wide stack, a 16-bit wide stack or a 32-bit wide stack. For the Borland compiler, the stack width is 16 bits but it's always better to use the C operator `sizeof()`.
- (4) The linear address for the BOS is then determined by subtracting the number of bytes allocated to the stack from the TOS address. You should note that I added 15 bytes to the bottom of the stack and ANDed it with `0xFFFFF0L` so that I would align the BOS on a 'paragraph' boundary (i.e., a 16-byte boundary).
- (5) From the BOS's linear address, we determine the new segment of the BOS.
- (6) A far pointer with an offset of `0x0000` is then created and assigned to the new BOS pointer.
- (7) To initialize the floating-point emulation variables of the task's stack, we can simply copy the bottom of the calling's task stack into the new stack. You should note that the calling task MUST have also been created from a task that has its stack initialized with the floating-point emulation variables. Failure to do this could cause unpredictable results. The Borland Floating-Point Emulation (FPE) assumes that about 300 bytes starting at `SS:0x0000` are reserved to hold floating-point emulation variables. This applies to the 'large memory model' only. Note that I decided to copy 384 bytes (`0x0180`). It turns out that you don't need to copy this many bytes but I find it safe to add a little extra in case of expansion. This also means that your task stack MUST have at least 384 bytes PLUS the anticipated stack requirements of your task (including ISR nesting, of course). Note that `_SS` is a Borland 'pseudoregister' which allows the code to obtain the current value of the CPU's stack segment register. Also, I decided to use the ANSI function `memcpy()` because the Borland most likely optimized this function.
- (8) The next step to to determine the *normalize* address of the TOS. We first need to subtract 16 bytes because we aligned the stack on a page boundary. If I could guaranty that you would always align your stacks to a paragraph boundary, I would not have to do this.
- (9) The new TOS is determined by making a far pointer using the new segment (found in L14.4(6)) and the new size of the stack (aligned to a paragraph).
- (10) The final step is to move the BOS up by 384 bytes in case the BOS is used to perform

stack checking (i.e., if your application calls `OSTaskStkChk()`).

(11)

(12) If you use stack checking, μC/OS-II needs to know the size of the new stack. Of course, we don't want to start the stack check from the bottom of the original stack but in fact, the new stack.

As can be seen from the code, you need to pass three arguments to `OSTaskStkInit_FPE_x86()`:

`pptos`

is a pointer to the task's top-of-stack (TOS) pointer (a pointer to a pointer). The task's TOS is passed to `OSTaskCreate()` or `OSTaskCreateExt()` when you create a task. The stack is allocated from the data space and consist of a value for the DS register and an offset from this segment register. Because `OSTaskStkInit_FPE_x86()` normalizes the TOS, a pointer to the initial TOS is passed to this function so that it can be altered.

`ppbos`

is a pointer to the task's bottom-of-stack (BOS) pointer (a pointer to a pointer). The task's BOS is not passed to `OSTaskCreate()` however, it is passed to `OSTaskCreateExt()`. In other words, `ppbos` is necessary for `OSTaskCreateExt()`. The bottom of this stack is generally not located at `DS:0000` but instead, at some offset from the DS register. Because `OSTaskStkInit_FPE_x86()` normalizes the BOS, a pointer to the initial BOS is passed to this function so that it can be altered.

`psize`

is a pointer to a variable which contains the size of the stack.. The task's size is not needed by `OSTaskCreate()` but it is for `OSTaskCreateExt()`. Because `OSTaskStkInit_FPE_x86()` reserves storage for the floating-point emulation variables, the available stack size is actually altered by this function which is why a pointer to the size is passed. You must ensure that you pass `OSTaskStkInit_FPE_x86()` a stack large enough to hold the floating-point emulation variables plus the anticipated stack space needed by your application task.

Figure 14.6 shows what OSTaskStkInit_FPE_x86() does. Note that paragraph alignment is not shown in Figure 14.6.

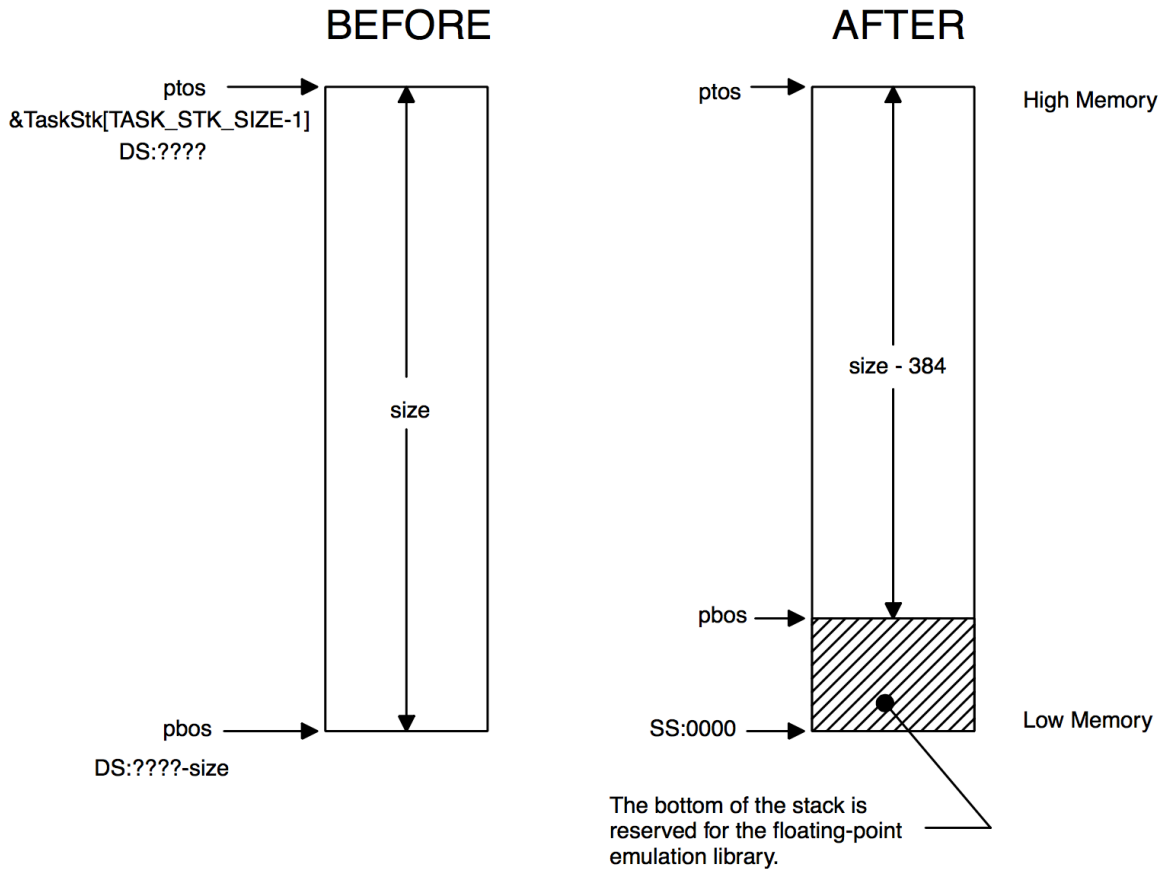


Figure - Figure 14.6 Stack normalization by OSTaskStkInit_FPE_x86().

You would use OSTaskStkInit_FPE_x86() as shown in Listing 14.5 which contains an example with both OSTaskCreate() and OSTaskCreateExt() . The code shows that if your task is to do floating-point math, OSTaskStkInit_FPE_x86() MUST be called BEFORE calling either OSTaskCreate() or OSTaskCreateExt() in order to initialize the task's stack as just described. The returned pointers (ptos and pbot) MUST be used in the task creation call. Note that pbot would be passed to OSTaskCreateExt() as the new bottom of stack. You should note that if you were call OSTaskStkChk() (only if the task is created with OSTaskCreateExt()) to determine the size of the task's stack at run-time, then OSTaskStkChk() would report that the stack contains 384 bytes less than it's original size (see the AFTER case of Figure 14.6)!

```
OS_STK Task1Stk[1000];
OS_STK Task2Stk[1000];

void main (void)
{
    OS_STK *ptos;
    OS_STK *pbos;
    INT32U size;

    OSInit();
    .
    .
    ptos = &Task1Stk[999];
    pbos = &Task1Stk[0];
    size = 1000;
    <b>OSTaskStkInit_FPE_x86(&ptos, &pbos, &size)</b>
    OSTaskCreate(Task1,
                 (void *)0,
                 ptos,
                 10);
    .
    .
    ptos = &Task2Stk[999];
    pbos = &Task2Stk[0];
    size = 1000;
    <b>OSTaskStkInit_FPE_x86(&ptos, &pbos, &size)</b>
    OSTaskCreateExt(Task2,
                   (void *)0,
                   ptos,
                   11,
                   11,
                   pbos,
                   size,
                   (void *)0,
                   OS_TASK_OPT_SAVE_FP);
    .
    .
    OSStart();
}
```

Listing - Listing 14.5

You should be careful that your code doesn't generate any floating-point exception (e.g., divide by zero) because the floating-point library would not work properly under these circumstances. Run-time exceptions can, however, be avoided by adding range testing code.

OSTaskCreateHook()

As previously mentioned, `OS_CPU_C.C` does not define code for this function. In other words, no additional work is done by the port when a task is created. The assignment of `ptcb` to `ptcb` is done so that the compiler doesn't complain about `OSTaskCreateHook()` not doing anything with the argument.

```
void OSTaskCreateHook (OS_TCB *ptcb)
{
    ptcb = ptcb;
}
```

Listing - Listing 14.6

OSTaskDelHook()

As previously mentioned, OS_CPU_C.C does not define code for this function. In other words, no additional work is done by the port when a task is deleted. The assignment of ptcb to ptcb is again done so that the compiler doesn't complain about OSTaskDelHook() not doing anything with the argument.

```
void OSTaskDelHook (OS_TCB *ptcb)
{
    ptcb = ptcb;
}
```

Listing - Listing 14.7

OSTaskSwHook()

Again, OS_CPU_C.C doesn't do anything in this function. You should note that I added the 'skeleton' of the code you would need if you were to actually do something in OSTaskSwHook().

```
void OSTaskSwHook (void)
{
    #if 0
        if (OSRunning == TRUE) {
            /* Save for task being 'switched-out' */
        }
        /* Code for task being 'switched-in' */
    #endif
}
```

Listing - Listing 14.8

OSTaskIdleHook()

Again, OS_CPU_C.C doesn't do anything in this function.

```
void OSTaskIdleHook (void)
{
}
```

Listing - Listing 14.9

OSTaskStatHook()

OS_CPU_C.C doesn't do anything in this function. See Example 3 in Chapter 1 for an example on what you can do with this function.

```
void OSTaskStatHook (void)
{
}
```

Listing - Listing 14.10

OSTimeTickHook()

OS_CPU_C.C doesn't do anything in this function either.

```
void OSTimeTickHook (void)
{
}
```

Listing - Listing 14.11

OSInitHookBegin()

OS_CPU_C.C doesn't do anything in this function.

```
void OSInitHookBegin (void)
{
}
```

Listing - Listing 14.12

OSInitHookEnd()

OS_CPU_C.C doesn't do anything in this function.

```
void OSInitHookEnd (void)
{
}
```

Listing - Listing 14.13

OSTCBInitHook()

OS_CPU_C.C doesn't do anything in this function.

```
void OSTCBInitHook (void)
{
}
```

Listing - Listing 14.14

OS_CPU_A.ASM

A µC/OS-II port requires that you write four assembly language functions:

```
OSStartHighRdy()
OSCtxSw()
OSIntCtxSw()
OSTickISR()
```

OSStartHighRdy()

This function is called by OSStart() to start the highest priority task ready to run. However, before you can call OSStart(), you must have called OSInit() and then created at least one task [see OSTaskCreate() and OSTaskCreateExt()]. OSStart() sets up OSTCBHighRdy so that it points to the task control block of the task with the highest priority. Figure 14.7 shows the stack frame for an 80x86 real-mode task created by either OSTaskCreate() or OSTaskCreateExt() just before OSStart() calls OSStartHighRdy().

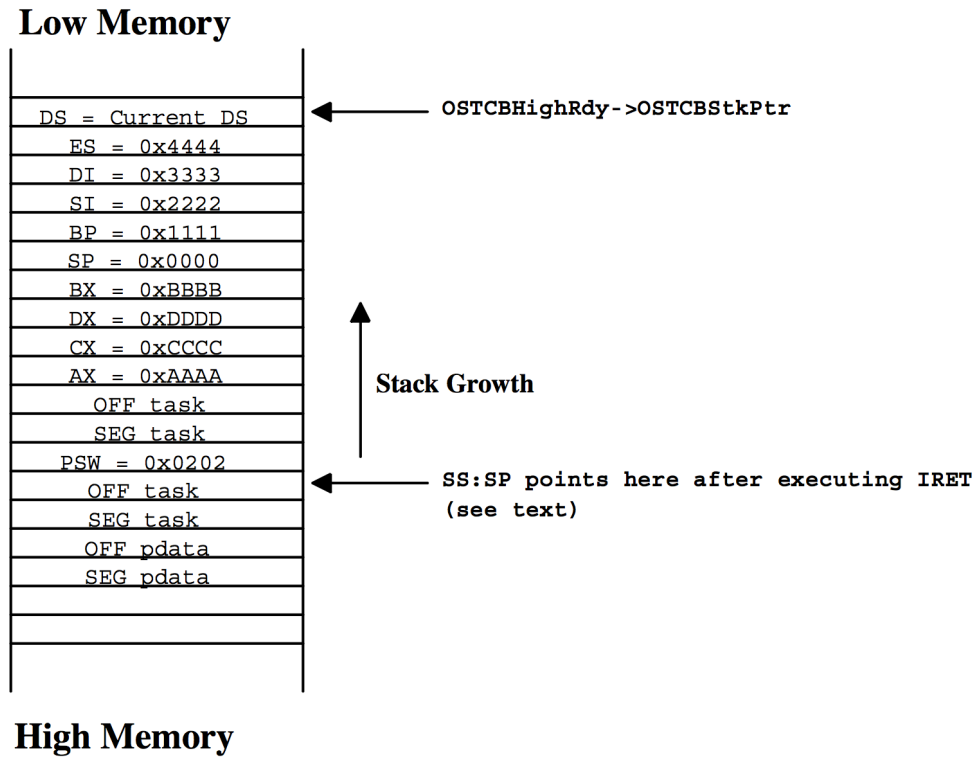


Figure - Figure 14.7 80x86 stack frame when task is created.

The code for OSStartHighRdy() is shown in Listing 14.15.

```

_OSStartHighRdy PROC FAR
    MOV     AX, SEG _OSTCBHighRdy
    MOV     DS, AX
;
    CALL    FAR PTR _OSTaskSwHook                (1)
;
    MOV     AL, 1                                (2)
    MOV     BYTE PTR DS:_OSRunning, AL
;
    LES     BX, DWORD PTR DS:_OSTCBHighRdy      (3)
    MOV     SS, ES:[BX+2]
    MOV     SP, ES:[BX+0]
;
    POP     DS                                    (4)
    POP     ES
    POPA
;
    IRET                                         (5)
_OSStartHighRdy ENDP

```

Listing - Listing 14.15

- (1) As mentioned in Chapter 13, `OSStartHighRdy()` must call `OSTaskSwHook()` when it starts. Remember that your `OSTaskSwHook()` function must check the state of `OSRunning` (which should be `FALSE` at this point) so that it only performs a restore context operation instead of a save and restore context.
- (2) `OSStartHighRdy()` then sets `OSRunning` to `TRUE` so that subsequent calls to `OSTaskSwHook()` will be able to perform both save and restore operations. Because the code is done in assembly language, there is no way to get the exact value of `TRUE` from the C compiler. I'm thus assuming that `TRUE` is 1.
- (3) `OSStartHighRdy()` then retrieves and loads the stack pointer from the task's `OS_TCB`. As I mentioned before, I decided to store the stack pointer at the beginning of the task control block (i.e., its `OS_TCB`) to make it easier to access from assembly language.
- (4) `OSStartHighRdy()` then restores the contents of all the CPU integer registers from the task's stack.
- (5) The `IRET` instruction is executed to perform a return from interrupt. Remember that the stack frame of the task was created so that it looks as if an interrupt occurred and all the CPU registers were pushed onto the task's stack. The `IRET` instruction pulls the task address and places it into the `CS:IP` registers followed by the value to load into the `SW` register (called status word or flags).

As seen in Figure 14.7, upon executing the `IRET` instruction, the stack pointer (`SS:SP`) points to the return address of the task and 'looks' as if the task was called by a normal function. `SS:SP+4` points to the argument `pdata`, which is passed to the task. In other words, your task will not know whether it was called by `OSStartHighRdy()` or any other function!

OSCtxSw()

A task-level context switch is accomplished on the 80x86 processor by executing a software interrupt instruction. The interrupt service routine must vector to `OSCtxSw()`. The sequence of events that leads µC/OS-II to vector to `OSCtxSw()` begins when the current task calls a service provided by µC/OS-II, which causes a higher priority task to be ready to run. At the end of the service call, µC/OS-II calls the function `OS_Sched()`, which concludes that the current task is no longer the most important task to run. `OS_Sched()` loads the address of the `OS_TCB` of the highest priority task into `OSTCBHighRdy`, then executes the software interrupt instruction by invoking the macro `OS_TASK_SW()`. Note that the variable `OSTCBCur` already contains a pointer to the current task's task control block, `OS_TCB`. The code for `OSCtxSw()` is shown in Listing 14.16.

```

_OSCtxSw  PROC  FAR                                (1)
;
;          PUSHA                                  (2)
;          PUSH  ES
;          PUSH  DS
;
;          MOV   AX, SEG _OSTCBCur
;          MOV   DS, AX
;
;          LES   BX, DWORD PTR DS:_OSTCBCur        (3)
;          MOV   ES:[BX+2], SS
;          MOV   ES:[BX+0], SP
;
;          CALL  FAR PTR _OSTaskSwHook            (4)
;
;          MOV   AX, WORD PTR DS:_OSTCBHighRdy+2  (5)
;          MOV   DX, WORD PTR DS:_OSTCBHighRdy
;          MOV   WORD PTR DS:_OSTCBCur+2, AX
;          MOV   WORD PTR DS:_OSTCBCur, DX
;
;          MOV   AL, BYTE PTR DS:_OSPrioHighRdy   (6)
;          MOV   BYTE PTR DS:_OSPrioCur, AL
;
;          LES   BX, DWORD PTR DS:_OSTCBHighRdy  (7)
;          MOV   SS, ES:[BX+2]
;          MOV   SP, ES:[BX]
;
;          POP   DS                                (8)
;          POP   ES
;          POPA
;
;          IRET                                    (9)
;
_OSCtxSw  ENDP

```

Listing - Listing 14.16

Figure 14.8 shows the stack frames of the task being suspended and the task being resumed.

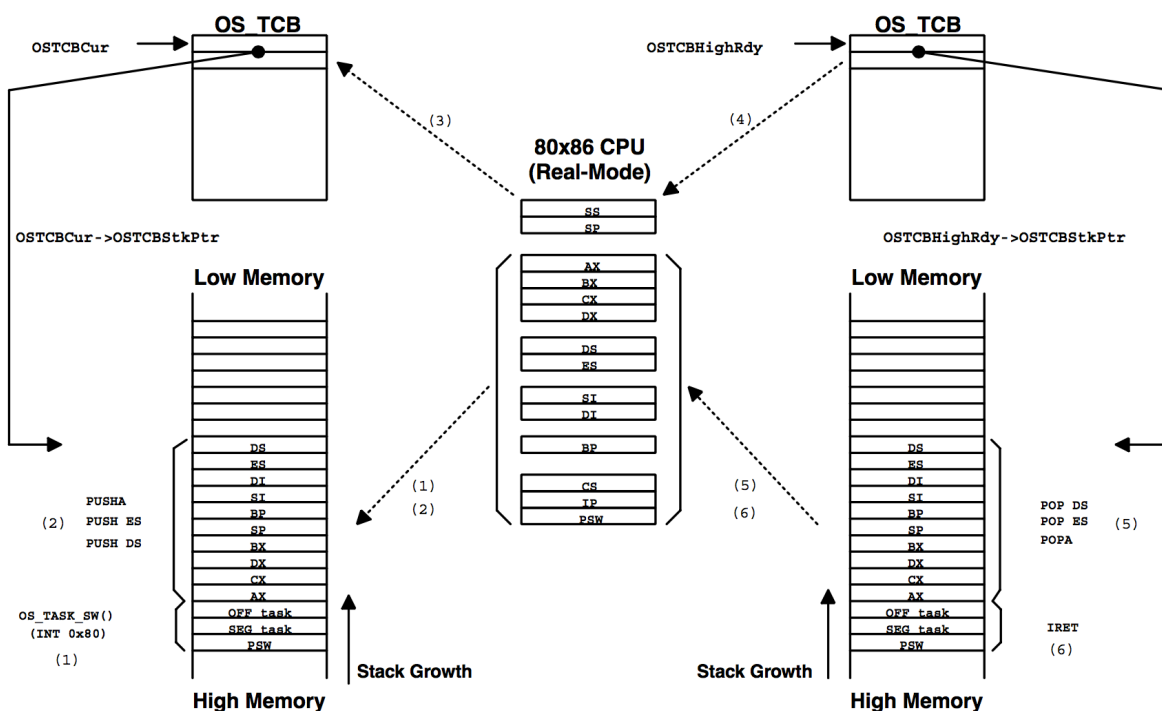


Figure - Figure 14.8 80x86 stack frames during a task-level context switch.

The notes below apply both and simultaneously to Listing 14.16 and Figure 14.8. When reading each numbered note, refer to both the listing and the figure.

- (1) F14.8
- (1) L14.16 - On the 80x86 processor, the software interrupt instruction forces the SW register to be pushed onto the current task's stack followed by the return address (segment and then offset) of the task that executed the INT instruction [i.e., the task that invoked OS_TASK_SW()].
- (2) F14.8
- (2) L14.16 - The remaining CPU registers of the task to suspend are saved onto the current task's stack.
- (3) F14.8
- (3) L14.16 - The pointer to the new stack frame is saved into the task's OS_TCB. This pointer is composed of the stack segment (SS register) and the stack pointer (SS register). The

OS_TCB in μC/OS-II is organized such that the stack pointer is placed at the beginning of the OS_TCB structure to make it easier to save and restore the stack pointer using assembly language.

- (4) L14.16 - The user-definable task switch hook OSTaskSwHook() is then called. Note that when OSTaskSwHook() is called, OSTCBCur points to the current task's OS_TCB, while OSTCBHighRdy points to the new task's OS_TCB. You can thus access each task's OS_TCB from OSTaskSwHook(). If you never intend to use the context switch hook, you can comment out the call and save yourself a few clock cycles during the context switch. In other words, there is no point in going through the overhead of calling and returning from a function if your port doesn't use OSTaskSwHook(). As a general rule, however, I like to make the call to be consistent between port.
- (5) L14.16 - Upon return from OSTaskSwHook(), OSTCBHighRdy is copied to OSTCBCur because the new task will now also be the current task.
- (6) L14.16 - Also, OSPrioHighRdy is copied to OSPrioCur for the same reason.
- (4) F14.8
- (7) L14.16 - At this point, OSCtxSw() can load the processor's registers with the new task's context. This is done by retrieving the SS and SP registers from the new task's OS_TCB.
- (5) L14.16 - F14.8
- (8) L14.16 - The remaining CPU registers are pulled from the new task's stack.
- (6) F14.8
- (9) L14.16 - An IRET instruction is executed to load the new task's program counter and status word. After this instruction, the processor resumes execution of the new task.

Note that interrupts are disabled during OSCtxSw() and also during execution of the user-definable function OSTaskSwHook().

OSIntCtxSw()

OSIntCtxSw() is called by OSIntExit() to perform a context switch from an ISR (Interrupt Service Routine). Because OSIntCtxSw() is called from an ISR, it is assumed that all the processor registers are already properly saved onto the interrupted task's stack.

The code shown in Listing 14.17 is identical to OSCtxSw(), except for the fact that there is no need to save the registers (i.e., no PUSH A, PUSH ES, or PUSH DS) onto the stack because it is assumed that the beginning of the ISR has already done that. Also, it is also assumed that the stack pointer is saved into the task's OS_TCB by the ISR. Figure 14.9 also shows the context switch process, from OSIntCtxSw()'s point of view.

To understand the difference, let's assume that the processor receives an interrupt. Let's also suppose that interrupts are enabled. The processor completes the current instruction and initiates an interrupt handling procedure.

- (1) The 80x86 automatically pushes the processor's SW register followed by the return address of the interrupted task onto the stack. The CPU then vectors to the proper ISR. µC/OS-II requires that your ISR begins by saving the rest of the processor registers. Once the registers are saved, µC/OS-II requires that you also save the contents of the stack pointer in the task's OS_TCB.

Your ISR then needs to either call OSIntEnter() or, increment the global variable OSIntNesting by one. At this point, we can assume that the task is suspended and we could, if needed, switch to a different task.

The ISR can now start servicing the interrupting device and possibly, make a higher priority task ready. This occurs if the ISR sends a message to a task by calling either OSFlagPost(), OSMBboxPost(), OSMBboxPostOpt(), OSQPostFront(), OSQPost() or OSQPostOpt(). A higher priority task can also be resumed if the ISR calls OSTaskResume(), OSTimeTick() or OSTimeDlyResume().

Assume that a higher priority task is made ready to run by the ISR. µC/OS-II requires that an ISR calls OSIntExit() when it has finished servicing the interrupting device. OSIntExit() basically tell µC/OS-II that it's time to return back to task-level code if all nested interrupts have completed. In other words, when OSIntNesting is decremented to 0 by OSIntExit(), OSIntExit() would return to task level code.

When `OSIntExit()` executes, it notices that the interrupted task is no longer the task that needs to run because a higher priority task is now ready. In this case, the pointer `OSTCBHighRdy` is made to point to the new task's `OS_TCB`, and `OSIntExit()` calls `OSIntCtxSw()` to perform the context switch.

```
_OSIntCtxSw PROC FAR
;
;   CALL FAR PTR _OSTaskSwHook           (1)
;
;   MOV AX, SEG _OSTCBCur
;   MOV DS, AX
;
;   MOV AX, WORD PTR DS:_OSTCBHighRdy+2 (2)
;   MOV DX, WORD PTR DS:_OSTCBHighRdy
;   MOV WORD PTR DS:_OSTCBCur+2, AX
;   MOV WORD PTR DS:_OSTCBCur, DX
;
;   MOV AL, BYTE PTR DS:_OSPrioHighRdy (3)
;   MOV BYTE PTR DS:_OSPrioCur, AL
;
;   LES BX, DWORD PTR DS:_OSTCBHighRdy (4)
;   MOV SS, ES:[BX+2]
;   MOV SP, ES:[BX]
;
;   POP DS           (5)
;   POP ES
;   POPA
;
;   IRET           (6)
;
;_OSIntCtxSw ENDP
```

Listing - Listing 14.17

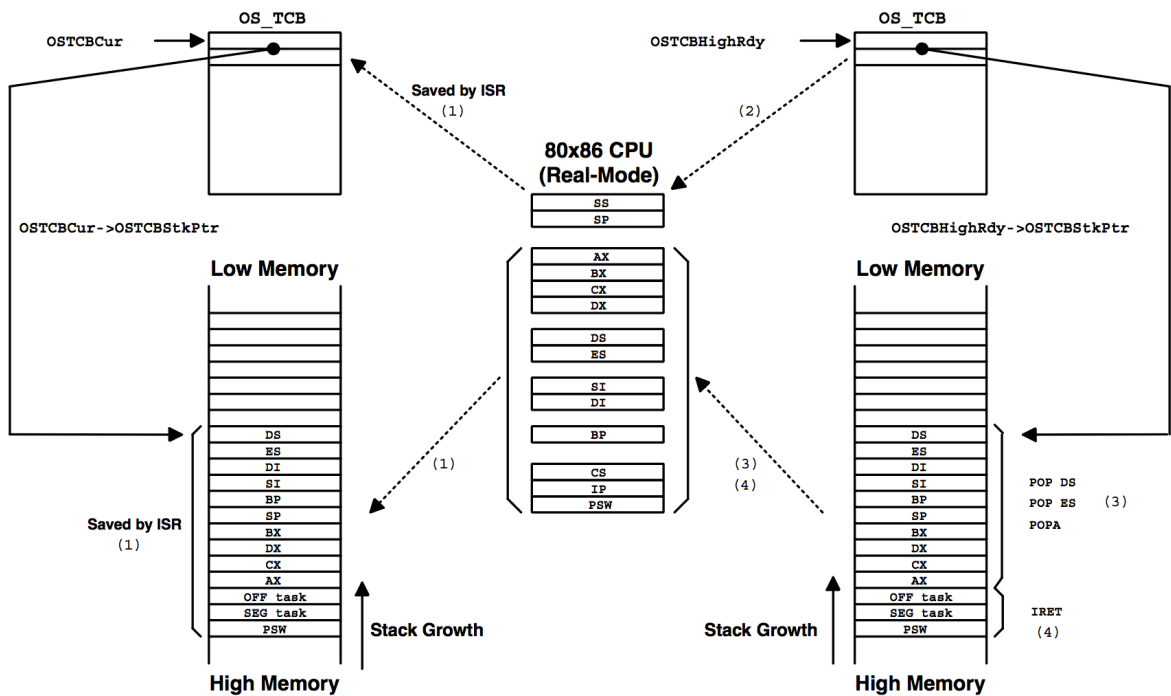


Figure - Figure 14.9 80x86 stack frames during an interrupt-level context switch.

The notes below apply both and simultaneously to Listing 14.17 and Figure 14.7. When reading each numbered note, refer to both the listing and the figure.

- (1) L14.17 - The first thing `OSIntCtxSw()` does is call the user-definable task switch hook `OSTaskSwHook()`. Note that when `OSTaskSwHook()` is called, `OSTCBCur` points to the current task's `OS_TCB`, while `OSTCBHighRdy` points to the new task's `OS_TCB`. You can thus access each task's `OS_TCB` from `OSTaskSwHook()`. Again, if you never intend to use the context switch hook, you can comment out the call and save yourself a few clock cycles during the context switch.
- (2) L14.17 - Upon return from `OSTaskSwHook()`, `OSTCBHighRdy` is copied to `OSTCBCur` because the new task will now also be the current task.
- (3) L14.17 - `OSPrioHighRdy` is also copied to `OSPrioCur` for the same reason.
- (2) F14.9
- (4) L14.17 - At this point, `OSCtxSw()` can load the processor's registers with the new task's context. This is done by retrieving the `SS` and `SP` registers from the new task's `OS_TCB`.

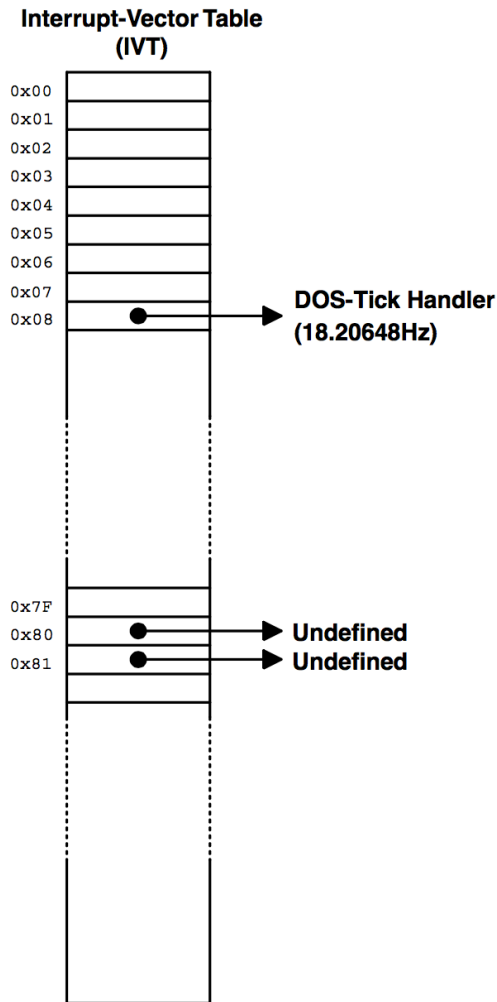
- (3) F14.9
- (5) L14.17 - The remaining CPU registers are pulled from the stack.
- (4) F14.9
- (6) L14.17 - An IRET instruction is executed to load the new task's program counter and status word. After this instruction, the processor resumes execution of the new task.

Note that interrupts are disabled during `OSIntCtxSw()` and also during execution of the user-definable function `OSTaskSwHook()`.

OSTickISR()

As mentioned in section 14.03.05, Tick Rate, the tick rate of an RTOS should be set between 10 and 100Hz. On the PC, the ticker occurs every 54.93ms (18.20648Hz) and is obtained by a hardware timer that interrupts the CPU. Recall that I reprogrammed the tick rate to 200Hz. The ticker on the PC is assigned to vector 0x08 but µC/OS-II redefined it so that it vectors to `OSTickISR()` instead. Because of this, the PC's tick handler is saved [see `PC.C`, `PC_DOSSaveReturn()`] in vector 129 (0x81). To satisfy DOS, however, the PC's handler is called every 54.93ms (described shortly). Figure 14.10 shows the contents of the interrupt vector table (IVT) before and after installing µC/OS-II.

Before (DOS only)



After (µC/OS-II installed)

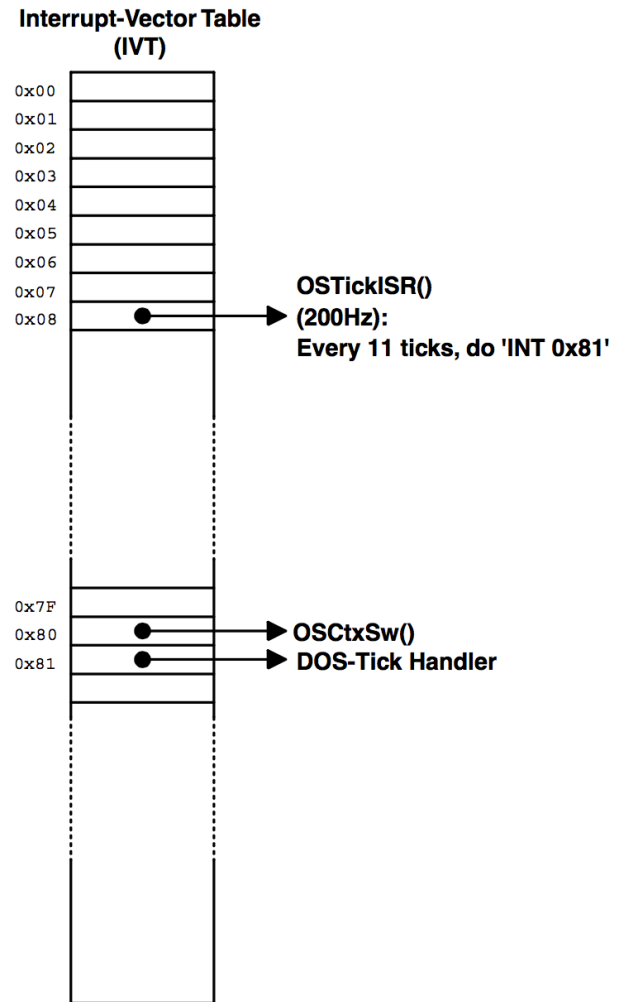


Figure - Figure 14.10 The PC interrupt vector table (IVT).

With µC/OS-II, it is very important that you enable ticker interrupts after multitasking has started; that is, after calling `OSStart()`. In the case of the PC, however, ticker interrupts are already occurring before you actually execute your µC/OS-II application.

To prevent the ISR from invoking `OSTickISR()` until µC/OS-II is ready, do the following:

`main():`

Call `OSInit()` to initialize µC/OS-II.

Call `PC_DOSSaveReturn()` (see PC.C)

Call PC_VectSet() to install context switch vector OSTxSw() at vector 0x80
Create at least one application task
Call OSStart() when you are ready to multitask

The first task to execute needs to:

Install OSTickISR() at vector 0x08
Change the tick rate from 18.20648 to 200Hz

The tick handler on the PC is somewhat tricky, so I will explain it using the pseudocode shown in Listing 14.18. This code would normally be written in assembly language.

```
void OSTickISR (void)
{
    Save all registers on the current task's stack;           (1)
    OSIntNesting++;                                         (2)
    if (OSIntNesting == 1) {                                (3)
        OSTCBCur->OSTCBStkPtr = SS:SP                       (4)
    }
    OSTickDOSCtr--;                                        (5)
    if (OSTickDOSCtr == 0) {                                (6)
        OSTickDOSCtr = 11;                                  (7)
        INT 81H; /* Interrupt will be cleared by DOS */
    } else {
        Send EOI to PIC;                                    (8)
    }
    OSTimeTick();                                          (9)
    OSIntExit();                                          (10)
    Restore all registers that were save on the current task's stack;(11)
    Return from Interrupt;                                  (12)
}
```

Listing - Listing 14.18 Pseudocode for OSTickISR().

- (1) Like all µC/OS-II ISRs, all registers need to be saved onto the current task's stack.
- (2) Upon entering an ISR, you need to tell µC/OS-II that you are starting an ISR by either calling OSIntEnter() or directly incrementing OSIntNesting. I like to increment OSIntNesting directly because it's faster. However, OSIntEnter() checks that you don't increment OSIntNesting beyond 255 and thus, is safer if you nest your ISRs.
- (3)
- (4) If this ISR is the first nested ISR, you need to save the stack pointer into the current

task's OS_TCB.

- (5)
- (6)
- (7) Next, the counter OSTickDOSCtr is decremented and when it reaches 0, the DOS ticker handler is called. This happens every 54.93ms.
- (8) Ten times out of 11, however, a command is sent to the Priority Interrupt Controller (PIC) to clear the interrupt. Note that there is no need to do this when the DOS ticker is called because the DOS tick handler directly clears the interrupt source.
- (9) OSTickISR() then calls OSTimeTick() so that μC/OS-II can update all tasks waiting for time to expire or pending for some event to occur, with a timeout.
- (10) At the completion of all ISRs, OSIntExit() is called. If a higher priority task has been made ready by this ISR (or any other nested ISRs) and this is the last nested ISR, then OSIntExit() will not return to OSTickISR()! Instead, OSIntCtxSw() restores the processor's context of the new task and issues an IRET. If the ISR is not the last nested ISR or the ISR did not cause a higher priority task to be ready, then OSIntExit() returns back to OSTickISR().
- (11)
- (12) IF OSIntExit() returns, it's because it didn't find any higher priority task to run and thus, the contents of the interrupt task's processor registers are restored. When the IRET instruction is executed, the ISR returns to the interrupted task.

The actual code for OSTickISR() is shown in Listing 14.19 for your reference. The number in Listing 14.19 corresponds to the same item in Listing 14.18. You should note that the actual code in the file contains comments.

```
_OSTickISR PROC FAR
;
;          PUSHA                                (1)
;          PUSH ES
;          PUSH DS
;
;          MOV AX, SEG(_OSIntNesting)           (2)
;          MOV DS, AX
;          INC BYTE PTR DS:_OSIntNesting
;
;          CMP BYTE PTR DS:_OSIntNesting, 1     (3)
;          JNE SHORT _OSTickISR1
;          MOV AX, SEG(_OSTCBCur)
;          MOV DS, AX
;          LES BX, DWORD PTR DS:_OSTCBCur      (4)
;          MOV ES:[BX+2], SS
;          MOV ES:[BX+0], SP
;
;          _OSTickISR1:
;          MOV AX, SEG(_OSTickDOSCtr)           (5)
;          MOV DS, AX
;          DEC BYTE PTR DS:_OSTickDOSCtr
;          CMP BYTE PTR DS:_OSTickDOSCtr, 0     (6)
;          JNE SHORT _OSTickISR2
;
;          MOV BYTE PTR DS:_OSTickDOSCtr, 11    (7)
;          INT 081H
;          JMP SHORT _OSTickISR3
;
;          _OSTickISR2:
;          MOV AL, 20H                           (8)
;          MOV DX, 20H
;          OUT DX, AL
;
;          _OSTickISR3:
;          CALL FAR PTR _OSTimeTick              (9)
;
;          CALL FAR PTR _OSIntExit              (10)
;
;          POP DS                                (11)
;          POP ES
;          POPA
;
;          IRET                                  (12)
;
;          _OSTickISR ENDP
```

Listing - Listing 14.19 OSTickISR().

You can simplify `OSTickISR()` by not increasing the tick rate from 18.20648 to 200Hz, as shown in the pseudocode in Listing 14.20. The actual code is shown in Listing 14.21 and matches the same item from Listing 14.20. This code is included so that you can model your ISRs after it.

```
void OSTickISR (void)
{
    Save all registers on the current task's stack;           (1)
    OSIntNesting++;                                         (2)
    if (OSIntNesting == 1) {                                (3)
        OSTCBCur->OSTCBStkPtr = SS:SP                       (4)
    }
    INT 81H;                                                (5)
    OSTimeTick();                                           (6)
    OSIntExit();                                           (7)
    Restore all registers that were save on the current task's stack; (8)
    Return from Interrupt;                                   (9)
}
```

Listing - Listing 14.20 Pseudocode for 18.2Hz

- (1) Like all µC/OS-II ISRs, all registers need to be saved onto the current task's stack.
- (2) Upon entering an ISR, you need to tell µC/OS-II that you are starting an ISR by either calling `OSIntEnter()` or directly incrementing `OSIntNesting`. I like to increment `OSIntNesting` directly because it's faster.
- (3)
- (4) If this ISR is the first nested ISR, you need to save the stack pointer into the current task's `OS_TCB`.
- (5) Next, the DOS tick handler is called by issuing an `INT` call (see the remapping of the IVT, Figure 14.10). Note that you do not need to clear the interrupt because this is handled by the DOS ticker.
- (6) Call `OSTimeTick()` so that µC/OS-II can update all tasks waiting for time to expire or pending on some event to occur with a timeout. If your ISR is not for the DOS tick, this is the place you would put the code to service your own interrupt.
- (7) When you are done servicing the ISR, call `OSIntExit()`. If the ISR makes a higher priority task ready to run, `OSIntExit()` will not return to this ISR but instead, context switch to the new, higher priority task.
- (8) The processor registers are restored.
- (9) The ISR returns to the interrupted source by executing an `IRET` instruction.

Note that you must not change the tick rate by calling `PC_SetTickRate()` if you are to use this version of the code. In other words, you must leave the tick rate alone. You also have to change the configuration constant `OS_TICKS_PER_SEC` (see `OS_CFG.H`) from 200 to 18. You should note that the tick rate is not actually 18 but 18.20648. You need to be aware of this, especially if you want to delay a task for 10 seconds. You would specify `10 * OS_TICKS_PER_SEC` ticks and it would actually end up being only 9.8866 seconds!

```
_OSTickISR PROC FAR
;
;   PUSHA                               (1)
;   PUSH ES
;   PUSH DS
;
;   MOV AX, SEG(_OSIntNesting)          (2)
;   MOV DS, AX
;   INC BYTE PTR DS:_OSIntNesting
;
;   CMP BYTE PTR DS:_OSIntNesting, 1    (3)
;   JNE SHORT _OSTickISR1
;   MOV AX, SEG(_OSTCBCur)
;   MOV DS, AX
;   LES BX, DWORD PTR DS:_OSTCBCur     (4)
;   MOV ES:[BX+2], SS
;   MOV ES:[BX+0], SP
;
;_OSTickISR1:
;   INT 081H                            (5)
;
;   CALL FAR PTR _OSTimeTick            (6)
;
;   CALL FAR PTR _OSIntExit            (7)
;
;   POP DS                              (8)
;   POP ES
;   POPA
;
;   IRET                                (9)
;
;_OSTickISR ENDP
```

Listing - Listing 14.21 18.2 Hz version of `OSTickISR()`.

Memory Usage

Table 14.3 shows the amount of memory (both code and data space) used by µC/OS-II based on the value of configuration constants. Data in this case means RAM and code means ROM if µC/OS-II is used in an embedded system.

The spreadsheet is actually provided in the downloadable package (`uCOS-II-RAM-Calc.XLS`).

You need Microsoft Excel for Office 2000 (or higher) to use this file. The spreadsheet allows you to do “what-if” scenarios based on the options you select. You can change the configuration values (in RED) and see how they affects μC/OS-II’s ROM and RAM usage on the 80x86. For the ???_EN values, you MUST use either 0 or 1.

I setup the Borland compiler to generate the fastest code. The number of bytes shown are not meant to be accurate but are simply provided to give you a relative idea of how much code space each of the μC/OS-II group of services require. For example, if you don’t need message queue services (OS_Q_EN is set to 0), then you will save between 1,900 and 2,200 bytes of code space.

The spreadsheet also shows you the difference in code size based on the value of OS_ARG_CHK_EN in your OS_CFG.H. You don’t need to change the value of OS_ARG_CHK_EN to see the difference.

The Data column is not as straightforward. Notice that the stacks for both the idle task and the statistics task have been set to 1,024 bytes (1Kb) each. Based on your own requirements, these number may be higher or lower. As a minimum, μC/OS-II requires about 3,500 bytes of RAM for μC/OS-II internal data structures if you configure the maximum number of tasks (62 application tasks).

Table 14.4 shows how μC/OS-II can scale down the amount of memory required with most of the services disabled. In this case, I allowed only 16 tasks with 20 priority levels (0 to 19). Notice that the Code space is now between 2,400 and 2,700 bytes and Data space for μC/OS-II internals is only about 500 bytes. However, just about the only service you can use in your tasks is OSTimeDly()!

If you use an 80x86 processor, you will most likely not be too restricted with memory and thus, μC/OS-II will most likely not be the largest user of memory.

µC/OS-II, The Real-Time Kernel V2.52 80x86, Real Mode, Large Model ROM and RAM Usage Worksheet						
Configuration Parameters	Value in OS_CFG.H	Data (Bytes)	Code (Bytes) OS_ARG_CHK_EN == 0	Code (Bytes) OS_ARG_CHK_EN == 1	Delta Code (Bytes)	Delta Code (%)
TOTAL		5523	13048	14919	1871	14%
OS_MAX_EVENTS	10	164				
OS_MAX_FLAGS	2	14				
OS_MAX_MEM_PART	2	44				
OS_MAX_QS	2	52				
OS_MAX_TASKS	62	2,880				
OS_LOWEST_PRIO	63	264				
OS_TASK_IDLE_STK_SIZE	512	1024				
OS_TASK_STAT_EN	1	10	351	351		
OS_TASK_STAT_STK_SIZE	512	1024				
OS_ARG_CHK_EN	1					
OS_CPU_H00KS_EN	1					
MINIMUM			2177	2493	316	
OS_FLAG_EN	1		2174	2539	82	
OS_FLAG_WAIT_CLR_EN	1				108	
OS_FLAG_ACCEPT_EN	1				41	
OS_FLAG_DEL_EN	1				95	
OS_FLAG_OUERY_EN	1				39	
OS_MBOX_EN	1		958	1185	55	
OS_MBOX_ACCEPT_EN	1				23	

OS_MBOX_DEL_EN	1				49	
OS_MBOX_POST_EN	1				35	
OS_MBOX_POST_OPT_EN	1				39	
OS_MBOX_QUERY_EN	1				25	
OS_MEM_EN	1		689	838	123	
OS_MEM_QUERY_EN	1				26	
OS_MUTEX_EN	1		1596	1792	83	
OS_MUTEX_ACCEPT_EN	1				39	
OS_MUTEX_DEL_EN	1				47	
OS_MUTEX_OUERY_EN	1				27	
OS_O_EN	1		1917	2206	45	
OS_Q_ACCEPT_EN	1				23	
OS_O_DEL_EN	1				49	
OS_Q_FLUSH_EN	1				25	
OS_Q_POST_EN	1				40	
OS_Q_POST_FRONT_EN	1				40	
OS_Q_POST_OPT_EN	1				40	
OS_O_QUERY_EN	1				27	
OS_SEM_EN	1		707	864	62	
OS_SEM_ACCEPT_EN	1				21	
OS_SEM_DEL_EN	1				49	
OS_SEM_QUERY_EN	1				25	
OS_TASK_CHANGE_PRI0_EN	1		444	455	22	
OS_TASK_CREATE_EN	1		185	196	11	
OS_TASK_CREATE_EXT_EN	1		441	467	26	
OS_TASK_DEL_EN	1		527	578	51	
OS_TASK_SUSPEND_EN	1		264	300	36	
OS_TASK_OUERY_EN	1		87	103	16	
OS_TIME_DLY_HMSM_EN	1		248	248		

OS_TIME_DLY_RESUME_EN	1		122	132	10	
OS_TIME_GET_SET_EN	1		59	59		
OS_SCHED_LOCK_EN	1		102	102		
μC/OS-II Internals		47				
Total Application Stacks	0					
Total Application RAM	0					

Table - Table 14.3, Maximum μC/OS-II configuration.

µC/OS-II, The Real-Time Kernel V2.52 80x86, Real Mode, Large Model ROM and RAM Usage Worksheet						
Configuration Parameters	Value in OS_CFG.H	Data (Bytes)	Code (Bytes) OS_ARG_CHK_EN == 0	Code (Bytes) OS_ARG_CHK_EN == 1	Delta Code (Bytes)	Delta Code (%)
TOTAL		1508	2362	2689	327	14%
OS_MAX_EVENTS	10					
OS_MAX_FLAGS	2					
OS_MAX_MEM_PART	2					
OS_MAX_QS	2					
OS_MAX_TASKS	16	360				
OS_LOWEST_PRI0	20	87				
OS_TASK_IDLE_STK_SIZE	512	1024				
OS_TASK_STAT_EN	0					
OS_TASK_STAT_STK_SIZE	512					
OS_ARG_CHK_EN	1					
OS_CPU_H00KS_EN	1					
MINIMUM			2177	2493	316	
OS_FLAG_EN	0					
OS_FLAG_WAIT_CLR_EN	1					
OS_FLAG_ACCEPT_EN	1					
OS_FLAG_DEL_EN	1					
OS_FLAG_OUERY_EN	1					
OS_MBOX_EN	1					
OS_MBOX_ACCEPT_EN	1					

OS_MBOX_DEL_EN	1				
OS_MBOX_POST_EN	1				
OS_MBOX_POST_OPT_EN	1				
OS_MBOX_QUERY_EN	1				
OS_MEM_EN	0				
OS_MEM_QUERY_EN	1				
OS_MUTEX_EN	0				
OS_MUTEX_ACCEPT_EN	1				
OS_MUTEX_DEL_EN	1				
OS_MUTEX_OUERY_EN	1				
OS_Q_EN	0				
OS_Q_ACCEPT_EN	1				
OS_O_DEL_EN	1				
OS_Q_FLUSH_EN	1				
OS_Q_POST_EN	1				
OS_Q_POST_FRONT_EN	1				
OS_Q_POST_OPT_EN	1				
OS_O_OUERY_EN	1				
OS_SEM_EN	0				
OS_SEM_ACCEPT_EN	1				
OS_SEM_DEL_EN	1				
OS_SEM_QUERY_EN	1				
OS_TASK_CHANGE_PRIO_EN	0				
OS_TASK_CREATE_EN	1	185	196	11	
OS_TASK_CREATE_EXT_EN	0				
OS_TASK_DEL_EN	0				
OS_TASK_SUSPEND_EN	0				
OS_TASK_OUERY_EN	0				
OS_TIME_DLY_HMSM_EN	0				

OS_TIME_DLY_RESUME_EN	0					
OS_TIME_GET_SET_EN	0					
OS_SCHED_LOCK_EN	0					
μC/OS-II Internals		37				
Total Application Stacks	0					
Total Application RAM	0					

Table - Table 14.4, Minimum μC/OS-II configuration.

80x86 Port with Hardware FP Support

Real Mode, Large Model with Hardware Floating-Point Support

This section describes how µC/OS-II has been ported to the Intel 80x86 series of processors that provides a Floating-Point Unit (FPU). Some of the processors that can make use of this port are the Intel 80486™, Pentiums™ (all models), Xeon™, AMD Athlon™, K6™-series, ElanSC520™ and more. The port assumes the Borland C/C++ compiler V4.51 and was setup to generate code for the large memory model. The processor is assumed to be running in real mode. The code for this port is very similar to the one presented in [80x86 Port with Emulated FP Support](#) and in some cases, I will only be presenting the differences.

This port assumes that you enabled code generation for `OSTaskCreateExt` (by setting `OS_TASK_CREATE_EXT_EN` to 1 in `OS_CFG.H`) and that you enabled µC/OS-II's memory management services (by setting `OS_MEM_EN` to 1 in `OS_CFG.H`). Of course, you must set `OS_MAX_MEM_PART` to at least 1. Finally, tasks that will perform floating-point operations **MUST** be created using `OSTaskCreateExt` and set the `OS_TASK_OPT_SAVE_FP` option.

Figure 15.1 shows the programming model of an 80x86 processor running in real mode. The integer registers are identical to those presented in [80x86 Port with Emulated FP Support](#). In fact, they are saved and restored using the same technique. The only difference between this port and the one presented in that section is that we also need to save and restore the FPU registers which is done by using the context switch hook functions.

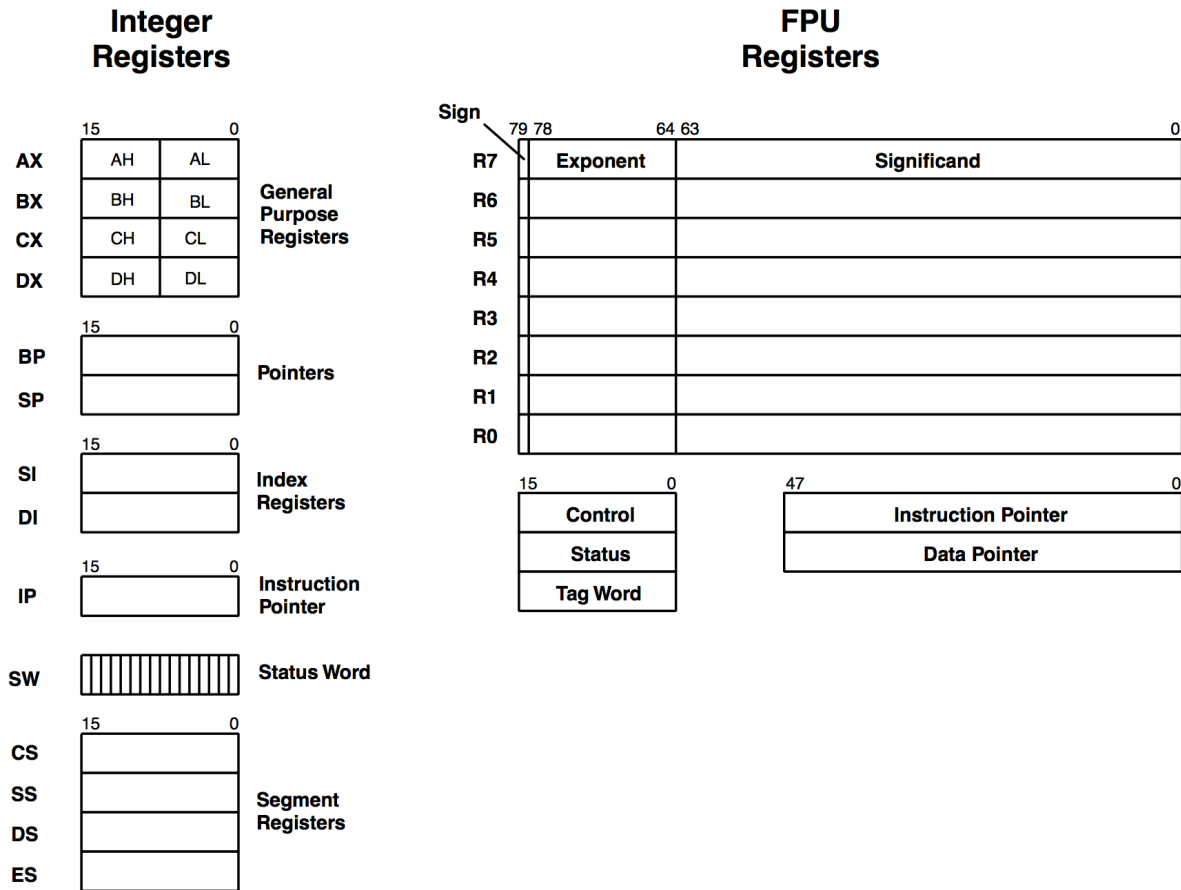


Figure - Figure 15.1 80x86 real-mode register model.

Development Tools

As in the section [80x86 Port with Emulated FP Support](#), I used the Borland C/C++ V4.51 compiler along with the Borland Turbo Assembler for porting and testing. This compiler generates reentrant code and provides in-line assembly language instructions that can be inserted in C code. The compiler can be directed to generate code specifically to make use of the FPU. I tested the code on a 300 MHz Pentium-II-based computer running the Microsoft Windows 2000 operating system. In fact, I configured the compiler to generate a DOS executable which was run in a DOS window.

Finally, you can also adapt the port provided in this section to other 80x86 compiler as long as they generate real-mode code. You will most likely have to change some of the compiler options and assembler directives if you use a different development environment.

Table 15.1 shows the Borland C/C++ compiler V4.51 options (i.e., flags) supplied on the

command line. These settings were used to compile the port as well as example 4 provided in [Getting Started with µC/OS-II](#).

Option (i.e., setting)	Description
-1	Generate 80186 code
-B	Compile and call assembler
-c	Compiler to .OBJ
-d	Merge duplicate strings
-f287	Use FPU hardware instructions
-G	Select code for speed
-I	Path to compiler include files is C:\BC45\INCLUDE
-k-	Standard stack frame
-L	Path to compiler libraries is C:\BC45\LIB
-ml	Large memory model
-N-	Do not check for stack overflow
-n.\obj	Path where to place object files is .\OBJ
-O	Optimize jumps
-Ob	Dead code elimination
-Oe	Global register allocation
-Og	Optimize globally
-Oi	Expand common intrinsic functions inline
-Ol	Loop optimization
-Om	Invariant code motion
-Op	Copy propagation
-Ov	Induction variable
-v	Source debugging ON
-vi	Turn inline expansion ON
-wpro	Error reporting: call to functions with no prototype
-Z	Suppress redundant loads

Table - Table 15.1, Compiler options used to compile port and examples.

Table 15.2 shows the Borland Turbo Assembler V4.0 options (i.e., flags) supplied on the command line. These settings were used to assemble OS_CPU_A.ASM.

Option (i.e., setting)	Description
/MX	Case sensitive on globals
/ZI	Full debug info
/O	Generate overlay code

Table - Table 15.2, Assembler options used to assemble .ASM files.

Directories and Files

The installation program provided on the companion CD installs the port for the Intel 80x86 (real mode, large model with FPU support) on your hard disk. The port is found under the:

```
\SOFTWARE\uCOS-II\I86L-FP\BC45
```

directory. The directory name stands for **I**ntel **80x86** real mode, **L**arge model with hardware **F**loating-**P**oint instructions and is placed in the **B**orland **C++ V4.5x** directory. The source code for the port is found in the following files: OS_CPU.H, OS_CPU.C, and OS_CPU.A.ASM.

INCLUDES.H

Listing 15.1 shows the contents of INCLUDES.H for this 80x86 port. It is identical to the one used in [80x86 Port with Emulated FP Support](#).

INCLUDES.H is not really part of the port but is described here because it is needed to compile the port files.

```
#include <stdio.h>
#include <string.h>
#include <ctype.h>
#include <stdlib.h>
#include <conio.h>
#include <dos.h>
#include <math.h>
#include <setjmp.h>

#include "os_cpu.h"
#include "os_cfg.h"
#include "ucos_ii.h"
#include "pc.h"
```

Listing - Listing 15.1 INCLUDES.H.

OS_CPU.H

OS_CPU.H contains processor- and implementation-specific #defines constants, macros, and typedefs. OS_CPU.H for the 80x86 port is shown in Listing 15.2. Most of OS_CPU.H is identical to the OS_CPU.H of the section [80x86 Port with Emulated FP Support](#).

```
#ifndef OS_CPU_GLOBALS
#define OS_CPU_EXT
#else
#define OS_CPU_EXT extern
#endif

typedef unsigned char  BOOLEAN;           (1)
typedef unsigned char  INT8U;
typedef signed   char  INT8S;
typedef unsigned int   INT16U;
typedef signed   int   INT16S;
typedef unsigned long  INT32U;
typedef signed   long  INT32S;
typedef float         FP32;               (2)
typedef double        FP64;

typedef unsigned int   OS_STK;            (3)
typedef unsigned short OS_CPU_SR;        (4)
```

Listing - Listing 15.2 OS_CPU.H.

- (1) If you were to consult the Borland compiler documentation, you would find that an int and a short are 16 bits and a long is 32 bits.
- (2) Floating-point data types are included because it's assumed that you will be performing floating-point operations in your tasks. However, µC/OS-II itself doesn't make use of floating-point numbers.
- (3) A stack entry for the 80x86 processor running in real mode is 16 bits wide; thus, OS_STK is declared accordingly. The stack width doesn't change because of this port. All task stacks must be declared using OS_STK as its data type.
- (4) The status register (also called the processor flags) on the 80x86 processor running in real mode is 16 bits wide. The OS_CPU_SR data type is used only if OS_CRITICAL_METHOD is set to 3 which it isn't for this port. I included the OS_CPU_SR data type anyway, in case you use a different compiler and need to use OS_CRITICAL_METHOD #3.

OS_CPU.H, OS_ENTER_CRITICAL() and OS_EXIT_CRITICAL()

```
#define OS_CRITICAL_METHOD    2                (5)
#define OS_ENTER_CRITICAL()  asm {PUSHF; CLI}  (6)
#define OS_EXIT_CRITICAL()   asm POPF
```

Listing - Listing 15.2 - OS_CPU.H.

- (5) For this port, the preferred critical method #2 because it is directly supported by the compiler.
- (6) OS_ENTER_CRITICAL is implemented by saving the interrupt disable status onto the stack and then disable interrupts. This is accomplished on the 80x86 by executing the PUSHF instruction followed by the CLI instruction. OS_EXIT_CRITICAL simply needs to execute a POPF instruction to restore the original contents of the processor's SW register.

OS_CPU.H, Stack Growth

```
#define OS_STK_GROWTH        1                (7)
```

Listing - Listing 15.2 - OS_CPU.H.

- (7) The stack on an 80x86 processor grows from high to low memory, which means that OS_STK_GROWTH must be set to 1.

OS_CPU.H, OS_TASK_SW()

```
#define uCOS                  0x80           (8)
#define OS_TASK_SW()        asm INT uCOS    (9)
```

Listing - Listing 15.2 - OS_CPU.H.

- (9) To switch context, OS_TASK_SW needs to simulate an interrupt. The 80x86 provides 256 software interrupts to accomplish this. The interrupt service routine (ISR) (also called the

exception handler) must vector to the assembly language function `OSCtxSw` (see `OS_CPU_A.ASM`). We thus need to ensure that the pointer at vector `0x80` points to `OSCtxSw`.

(8) I tested the code on a PC and I decided to use interrupt number 128 (`0x80`).

OS_CPU.H, Tick Rate

I also decided (see [80x86 Port with Emulated FP Support](#) for additional details) to change the tick rate of the PC from the standard 18.20648Hz to 200Hz (i.e., 5ms between ticks).

```
OS_CPU_EXT INT8U OSTickDOSctr;                                     (10)
```

Listing - Listing 15.2 - OS_CPU.H.

(10) This statement declares an 8-bit variable (`OSTickDOSctr`) that keeps track of the number of times the ticker is called. Every 11th time, the DOS tick handler is called. `OSTickDOSctr` is used in `OS_CPU_A.ASM` and really only applies to a PC environment.

OS_CPU.H, Floating-Point Functions

This port defines three special functions that are specific to the floating-point capabilities of the 80x86. In other words, I had to add three new functions to the port to handle the floating-point hardware.

```
void OSFPInit(void);                                             (11)
void OSFPRestore(void *pblk);                                    (12)
void OSFPSave(void *pblk);                                       (13)
```

Listing - Listing 15.2 - OS_CPU.H.

- (11) A function has been added to initialize the floating-point handling mechanism described in this port.
- (12) `OSFPRestore` will be called to retrieve the value of the floating-point registers when a task is being switched-in. `OSFPRestore` is actually written in assembly language and is thus found in `OS_CPU_A.ASM`.

- (13) OSFPSSave will be called to save the current value of the floating-point registers when a task is being suspended. OSFPSSave is also written in assembly language and found in OS_CPU_A.ASM.

OS_CPU_C.C

As mentioned in [Porting µC/OS-II](#) and in [80x86 Port with Emulated FP Support](#), µC/OS-II port requires that you write ten fairly simple C functions:

```
OSTaskStkInit()  
OSTaskCreateHook()  
OSTaskDelHook()  
OSTaskSwHook()  
OSTaskIdleHook()  
OSTaskStatHook()  
OSTimeTickHook()  
OSInitHookBegin()  
OSInitHookEnd()  
OSTCBInitHook()
```

µC/OS-II only requires OSTaskStkInit. The other nine functions must be declared but generally don't need to contain any code. However, this port will make use of OSTaskCreateHook, OSTaskDelHook, OSTaskSwHook and OSInitHookEnd.

The #define constant OS_CPU_HOOKS_EN (see OS_CFG.H) should be set to 1.

OSTaskStkInit()

This function is called by OSTaskCreate and OSTaskCreateExt and is identical to the OSTaskStkInit presented in section 14.01.01. You may recall that OSTaskStkInit is called to initialize the stack frame of a task so that it looks as if an interrupt has just occurred and all of the processor integer registers were pushed onto it. Figure 15.2 (identical to Figure 14.3) shows what OSTaskStkInit puts on the stack of the task being created. Note that the diagram doesn't show the stack frame of the code calling OSTaskStkInit but rather, the stack frame of the task being created. Also, the stack frame only contains the contents of the integer registers, nothing about the floating point registers. I'll discuss how we handle the FPU registers shortly.

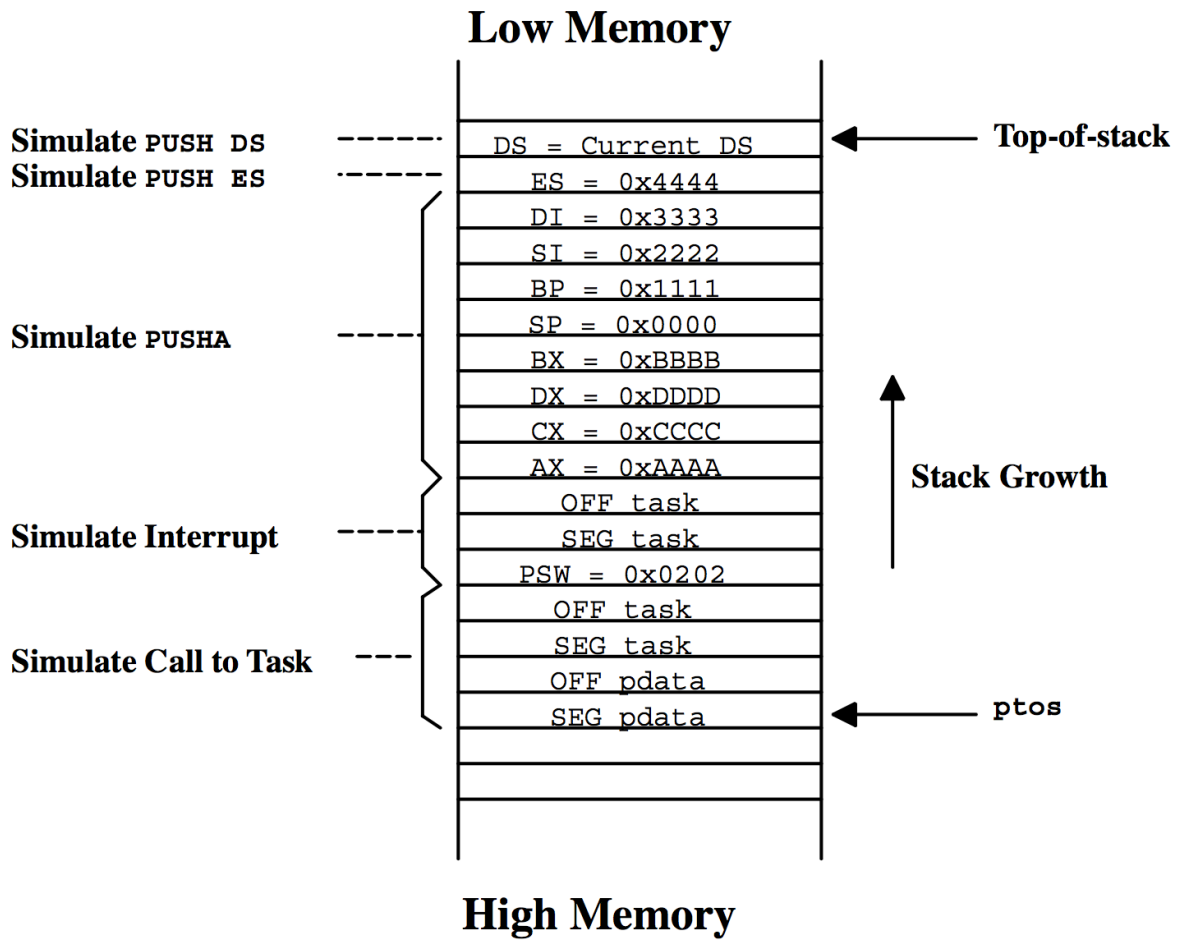


Figure - Figure 15.2 Stack frame initialization with pdata passed on the stack.

For reference, Listing 15.3 shows the code for `OSTaskStkInit` which is identical to the one shown in 80x86 Port with Emulated FP Support (Listing 14.3).

```
OS_STK *OSTaskStkInit (void (*task)(void *pd),
                      void *pdata,
                      OS_STK *ptos,
                      INT16U opt)
{
    INT16U *stk;

    opt    = opt;
    stk    = (INT16U *)ptos;
    *stk-- = (INT16U)FP_SEG(pdata);
    *stk-- = (INT16U)FP_OFF(pdata);
    *stk-- = (INT16U)FP_SEG(task);
    *stk-- = (INT16U)FP_OFF(task);
    *stk-- = (INT16U)0x0202;
    *stk-- = (INT16U)FP_SEG(task);
    *stk-- = (INT16U)FP_OFF(task);
    *stk-- = (INT16U)0xAAAA;
    *stk-- = (INT16U)0xCCCC;
    *stk-- = (INT16U)0xDDDD;
    *stk-- = (INT16U)0xBBBB;
    *stk-- = (INT16U)0x0000;
    *stk-- = (INT16U)0x1111;
    *stk-- = (INT16U)0x2222;
    *stk-- = (INT16U)0x3333;
    *stk-- = (INT16U)0x4444;
    *stk    = _DS;
    return ((OS_STK *)stk);
}
```

Listing - Listing 15.3 - OS_CPU_C.C, OSTaskStkInit()

OSFPInit()

OSFPInit is called by OSInitHookEnd when OSInit is done initializing µC/OS-II's internal structures (I will discuss OSInitHookEnd later). OSFPInit is basically used to initialize the floating-point context switching mechanism presented in this section. OSFPInit assumes that you enabled µC/OS-II's memory management functions (i.e., you must set OS_MEM_EN to 1 in OS_CFG.H). The code for OSFPInit is shown in Listing 15.4.

```
#define OS_NTASKS_FP      (OS_MAX_TASKS + OS_N_SYS_TASKS - 1)      (1)
#define OS_FP_STORAGE_SIZE 128                                     (2)

static OS_MEM *OSFPPartPtr;                                       (3)
static INT32U OSFPPart[OS_NTASKS_FP][OS_FP_STORAGE_SIZE / sizeof(INT32U)]; (4)

void OSFPInit (void)
{
    INT8U err;
    #if OS_TASK_STAT_EN
        OS_TCB *ptcb;
        void *pblk;
    #endif

    OSFPPartPtr = OSMemCreate(&OSFPPart[0][0],                    (5)
        OS_NTASKS_FP,
        OS_FP_STORAGE_SIZE,
        &err);

    #if OS_TASK_STAT_EN && OS_TASK_CREATE_EXT_EN
        ptcb = OSTCBPrioTbl[OS_STAT_PRIO];                        (6)
        ptcb->OSTCBOpt |= OS_TASK_OPT_SAVE_FP;                    (7)
        pblk = OSMemGet(OSFPPartPtr, &err);                       (8)
        if (pblk != (void *)0) {
            ptcb->OSTCBExtPtr = pblk;                              (9)
            OSFPSave(pblk);                                       (10)
        }                                                         (11)
    #endif
}
```

Listing - Listing 15.4

- (1) Although not actually part of `OSFPInit`, I defined this constant that will be used to determine how many storage buffers will be needed to save FPU register values. In this case, I decided to have as many buffers as I have tasks plus one for the statistic task as described below.
- (2) The 80x86 FPU requires 108 bytes of storage. I decided to allocate 128 bytes for future expansion. If you are tight on memory, you could save 20 bytes per task by setting this value to 108.
- (3) We will be using a µC/OS-II memory partition for the storage of all the FPU contexts. `OSFPPartPtr` is a pointer to the partition created for this purpose. Because `OSFPPartPtr` is declared static, your application will not know it exist.
- (4) `OSFPPart[][]` is the actual partition that will hold the storage for all the FPU registers of all the tasks. As you can probably tell, you need to have at least:

`(OS_MAX_TASKS + 1) * 128`

bytes of RAM (i.e., data space) for this partition. Because `OSFPPart[][]` is declared static, your application will not know it exist.

- (5) `OSFPInit` tells μC/OS-II about this partition. You may recall that `OSMemCreate` will break the partition into memory blocks (each of 128 bytes) and links these blocks in a singly-linked list. If an FPU storage block is needed, we simply need to call `OSMemGet` (discussed in `OSTaskCreateHook`).
- (6) I decided to change the attributes of `OS_TaskStat` to allow it to perform floating-point math. You may wonder why I do this since `OS_TaskStat` does not perform any floating-point operations. I did this because you may decide to extend the functionality of `OS_TaskStat` through `OSTaskStatHook` and, possibly perform floating-point calculations. `OSFPInit` finds the pointer to the statistic task's `OS_TCB`.
- (7) The `.OSTCBOpt` flag is set indicating that `OS_TaskStat` is a task that needs to save and restore floating-point registers because μC/OS-II doesn't set this option by default.
- (8) I get a storage buffer that will hold the contents of the floating-point registers for `OS_TaskStat` when `OS_TaskStat` is switched-out.
- (9) Always prudent to check for an invalid pointer.
- (10) The pointer to the FPU storage area is saved in the `OS_TCB` extension pointer, `.OSTCBEtPtr`. This will allow the context switch code to know where floating-point registers are saved.
- (11) The function `OSFPSave` (see `OS_CPU_A.ASM`) is called to store the current contents of the FPU registers at the location pointed to by `pblk`. It doesn't really matter what the FPU registers contain when we do this. The important thing to realize is that the FPU registers contain valid values, whatever they may be. `OSFPSave` is discussed in section 15.05.05.

You should be careful that your code doesn't generate any floating-point exception (e.g. divide by zero) because μC/OS-II will not do anything about them. Run-time exceptions can, however, be avoided by adding range testing code to your application. In fact, you should make it a practice to check for possible divide by zero and the like.

OSTaskCreateHook()

Listing 15.5 shows the code for OSTaskCreateHook. Recall that OSTaskCreateHook is called by OS_TCBInit (which in turn is called by OSTaskCreate or OSTaskCreateExt).

```
void OSTaskCreateHook (OS_TCB *ptcb)
{
    INT8U  err;
    void  *pblk;

    if (ptcb->OSTCBOpt & OS_TASK_OPT_SAVE_FP) {           (1)
        pblk = OSMemGet(OSFPPartPtr, &err);              (2)
        if (pblk != (void *)0) {                          (3)
            ptcb->OSTCBEstPtr = pblk;                     (4)
            OSFPSSave(pblk);                             (5)
        }
    }
}
```

Listing - Listing 15.5

- (1) If you create a task that will perform floating-point calculations, you must set the OS_TASK_OPT_SAVE_FP bit in opt argument of OSTaskCreateExt. This option tells OSTaskCreateHook that the task will make use of the FPU and thus, we will need to save and restore the values of these registers during a context switch into or out of this task.
- (2) Because we are creating a task that will use the FPU, we need to allocate storage for the FPU registers.
- (3) Again, it's a good idea to validate the pointer.
- (4) The pointer to the storage area is saved in the OS_TCB of the task being created.
- (5) Again, the function OSFPSSave (see OS_CPU_A.ASM) is called to store the current contents of the FPU registers at the location pointed to by pblk. It doesn't really matter what the FPU registers contain when we do this. The important thing to realize is that the FPU registers contain valid values, whatever they may be. OSFPSSave is discussed in section 15.05.05.

Figure 15.3 shows the relationship between some of the data structures after OSTaskCreateHook has executed.

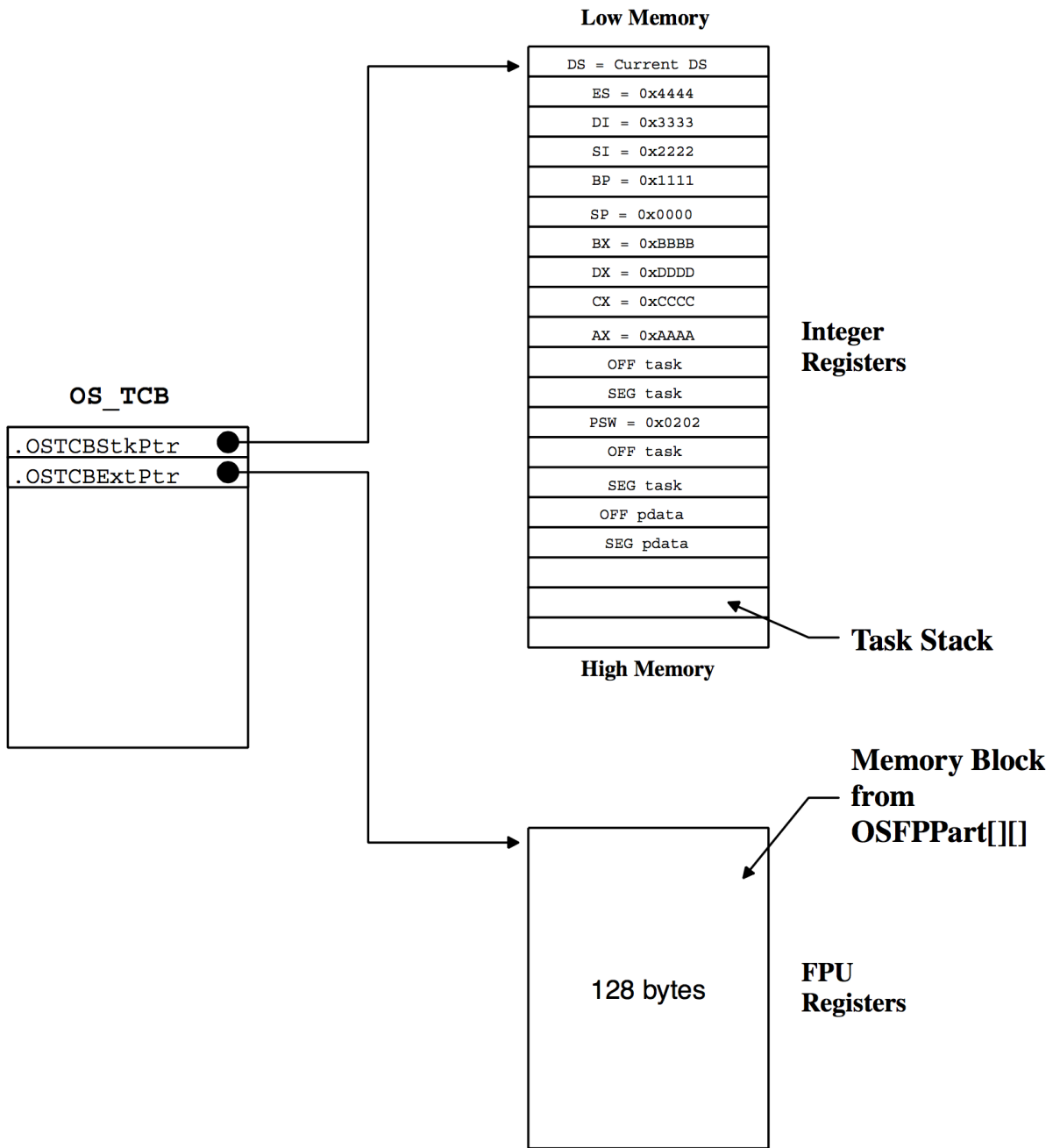


Figure - Figure 15.3 Initialized stack and FPU register storage.

OSTaskDelHook()

You may recall that `OSTaskDelHook` is called by `OSTaskDel` to extend the functionality of `OSTaskDel`. Because we allocated a memory block to hold the contents of the floating-point registers when the task was created, we need to deallocate the block when the task is deleted. Listing 15.6 shows how this is accomplished by `OSTaskDelHook`.

```
void OSTaskDelHook (OS_TCB *ptcb)
{
    if (ptcb->OSTCBOpt & OS_TASK_OPT_SAVE_FP) {           (1)
        if (ptcb->OSTCBEstPtr != (void *)0) {             (2)
            OSMemPut(OSFPPartPtr, ptcb->OSTCBEstPtr);     (3)
        }
    }
}
```

Listing - Listing 15.6 OS_CPU_C.C, OSTaskDelHook

- (1)
- (2) We first need to confirm that we allocated a memory block that was used for floating-point context storage.
- (3) The memory block is returned to the its proper memory partition.

OSTaskSwHook()

`OSTaskSwHook` is used to extend the functionality of the context switch code. You may recall that `OSTaskSwHook` is called by `OSStartHighRdy`, the task-level context switch function `OSCtxSw` and, the ISR context switch function `OSIntCtxSw`. Listing 15.7 shows how `OSTaskSwHook` is implemented.

```
void OSTaskSwHook (void)
{
    INT8U err;
    void *pblk;

    if (OSRunning == TRUE) { (1)
        if (OSTCBCur->OSTCBOpt & OS_TASK_OPT_SAVE_FP) { (2)
            pblk = OSTCBCur->OSTCBExtPtr;
            if (pblk != (void *)0) { (3)
                OSFPSave(pblk); (4)
            }
        }
    }

    if (OSTCBHighRdy->OSTCBOpt & OS_TASK_OPT_SAVE_FP) { (5)
        pblk = OSTCBHighRdy->OSTCBExtPtr;
        if (pblk != (void *)0) { (6)
            OSFPRestore(pblk); (7)
        }
    }
}
```

Listing - Listing 15.7

- (1) When `OSStartHighRdy` calls `OSTaskSwHook`, it is trying to restore the contents of the floating-point registers of the highest priority task. When `OSStartHighRdy` is called, `OSRunning` is `FALSE` indicating that we haven't started multitasking yet and thus, `OSTaskSwHook` must not save the floating-point registers.
- (2) If `OSTaskSwHook` is called by either `OSCtxSw` or `OSIntCtxSw`, then we are switching-out a task (i.e., suspending a lower priority task) and thus, we check to see if this task was created with the floating-point option.
- (3) Just to be sure, we also check the contents of the `.OSTCBExtPtr` to make sure it's not a `NULL` pointer, it shouldn't.
- (4) As usual, we call `OSFPSave` to save the current contents of the floating-point registers to the memory block allocated for that purpose.
- (5) We then check to see if the task to be switched-in (i.e., the higher priority task) was created with the floating-point option. In other words, it checks whether you told `OSTaskCreateExt` that this task will be doing floating-point operations.
- (6) Just to be sure, we also check the contents of the `.OSTCBExtPtr` in case it's a `NULL` pointer.

- (7) The function `OSFPRestore` (see `OS_CPU_A.ASM`) is called to restore the current contents of the FPU registers from the location pointed to by `pblk`. `OSFPRestore` is discussed in section 15.05.06.

OSTaskIdleHook()

`OS_CPU_C.C` doesn't do anything in this function.

```
void OSTaskIdleHook (void)
{
}
```

Listing - Listing 15.8

OSTaskStatHook()

`OS_CPU_C.C` doesn't do anything in this function. See Example 3 in [Getting Started with µC/OS-II](#) for an example on what you can do with `OSTaskStatHook`.

```
void OSTaskStatHook (void)
{
}
```

Listing - Listing 15.9

OSTimeTickHook()

`OS_CPU_C.C` doesn't do anything in this function either.

```
void OSTimeTickHook (void)
{
}
```

Listing - Listing 15.10

OSInitHookBegin()

OS_CPU_C.C doesn't do anything in this function.

```
void OSInitHookBegin (void)
{
}
```

Listing - Listing 15.11

OSInitHookEnd()

OSInitHookEnd is called just before OSInit returns. This means that OSInit initialized µC/OS-II's memory partition services (which you should have to use this port by setting OS_MEM_EN to 1 in OS_CFG.H). OSInitHook simply calls OSFPInit (see section 15.04.02) which is responsible for setting up the memory partition reserved to hold the contents of floating-point registers for each task. The code for OSInitHookEnd is shown in Listing 15.12.

```
void OSInitHookEnd (void)
{
    OSFPInit();
}
```

Listing - Listing 15.12

OSTCBInitHook()

OS_CPU_C.C doesn't do anything in this function.

```
void OSTCBInitHook (void)
{
}
```

Listing - Listing 15.13

OS_CPU_A.ASM

A µC/OS-II port requires that you write four assembly language functions:

OSStartHighRdy()
OSCtxSw()
OSIntCtxSw()
OSTickISR()

This port adds two functions called OSFPsave and OSFPrestore and are found in OS_CPU_A.ASM. These functions are responsible for saving and restoring the contents of floating-point registers during a context switch, respectively.

OSStartHighRdy()

This function is called by OSstart to start the highest priority task ready to run. It is identical to the OSStartHighRdy presented in [80x86 Port with Emulated FP Support](#). The code is shown again in Listing 15.14 for your convenience but will not be discussed since you can review it from the section [80x86 Port with Emulated FP Support](#).

```
_OSStartHighRdy  PROC  FAR
    MOV     AX, SEG _OSTCBHighRdy
    MOV     DS, AX
;
    CALL    FAR PTR _OSTaskSwHook
;
    MOV     AL, 1
    MOV     BYTE PTR DS:_OSRunning, AL
;
    LES     BX, DWORD PTR DS:_OSTCBHighRdy
    MOV     SS, ES:[BX+2]
    MOV     SP, ES:[BX+0]
;
    POP     DS
    POP     ES
    POPA
;
    IRET
_OSStartHighRdy  ENDP
```

Listing - Listing 15.14 - OSStartHighRdy()

OSCtxSw()

A task-level context switch is accomplished on the 80x86 processor by executing a software interrupt instruction. The interrupt service routine must vector to `OSCtxSw`. The sequence of events that leads µC/OS-II to vector to `OSCtxSw` begins when the current task calls a service provided by µC/OS-II, which causes a higher priority task to be ready to run. At the end of the service call, µC/OS-II calls the function `OS_Sched`, which concludes that the current task is no longer the most important task to run. `OS_Sched` loads the address of the `OS_TCB` of the highest priority task into `OSTCBHighRdy`, then executes the software interrupt instruction by invoking the macro `OS_TASK_SW`. Note that the variable `OSTCBCur` already contains a pointer to the current task's task control block, `OS_TCB`. The code for `OSCtxSw` which is identical to the one presented in [80x86 Port with Emulated FP Support](#) is shown in Listing 15.15. `OSCtxSw` will be discussed again because of the added complexity of the floating-point context switch.

```
_OSCtxSw PROC FAR (1)
;
; PUSHA (2)
; PUSH ES
; PUSH DS
;
; MOV AX, SEG _OSTCBCur
; MOV DS, AX
;
; LES BX, DWORD PTR DS:_OSTCBCur (3)
; MOV ES:[BX+2], SS
; MOV ES:[BX+0], SP
;
; CALL FAR PTR _OSTaskSwHook (4)
;
; MOV AX, WORD PTR DS:_OSTCBHighRdy+2 (5)
; MOV DX, WORD PTR DS:_OSTCBHighRdy
; MOV WORD PTR DS:_OSTCBCur+2, AX
; MOV WORD PTR DS:_OSTCBCur, DX
;
; MOV AL, BYTE PTR DS:_OSPrioHighRdy (6)
; MOV BYTE PTR DS:_OSPrioCur, AL
;
; LES BX, DWORD PTR DS:_OSTCBHighRdy (7)
; MOV SS, ES:[BX+2]
; MOV SP, ES:[BX]
;
; POP DS (8)
; POP ES
; POPA
;
; IRET (9)
;
_OSCtxSw ENDP
```

Listing - Listing 15.15 - OScTxSw()

Figure 15.4 shows the stack frames as well as the FPU storage areas of the task being suspended and the task being resumed.

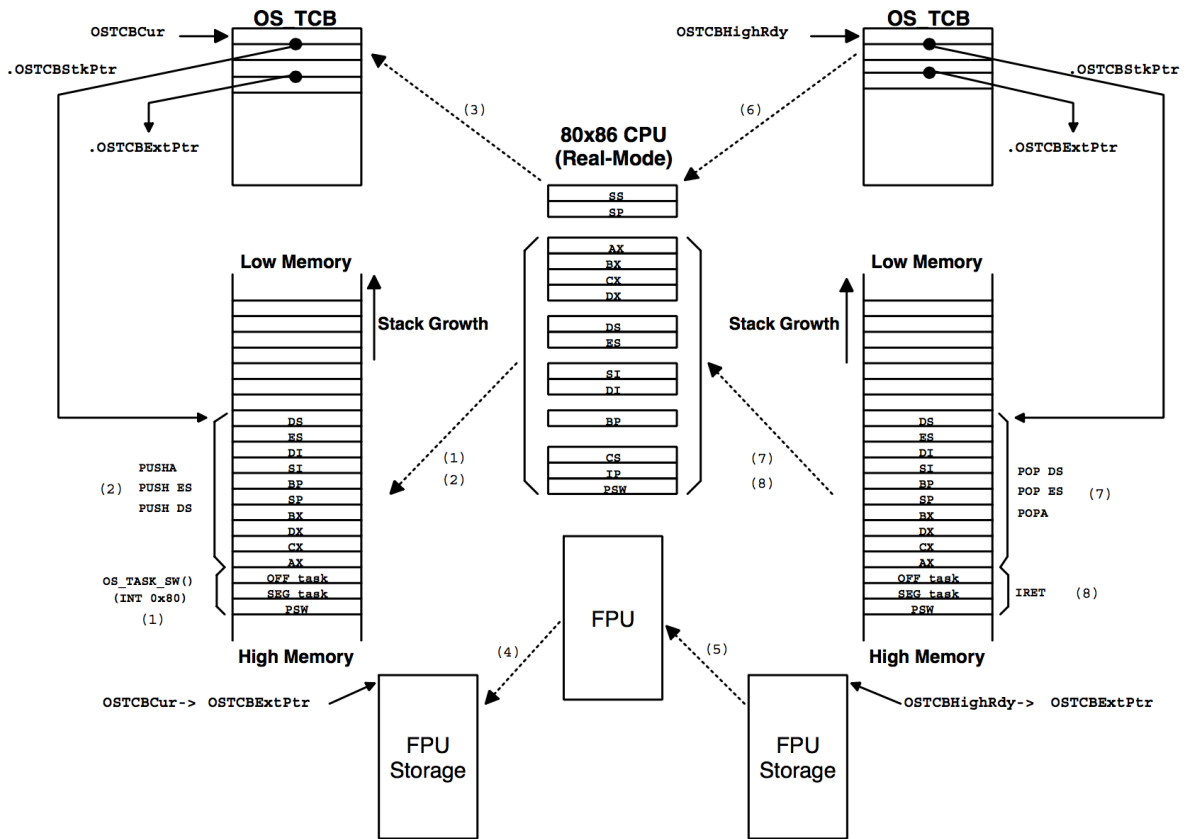


Figure - Figure 15.4 80x86 stack frames and FPU storage during a task-level context switch.

The notes below apply both and simultaneously to Listing 15.15 and Figure 15.4. When reading each numbered note, refer to both the listing and the figure.

- (1) F15.4
- (1) L15.15() - On the 80x86 processor, the software interrupt instruction forces the SW register to be pushed onto the current task's stack followed by the return address (segment and then offset) of the task that executed the INT instruction [i.e., the task that invoked OS_TASK_SW].
- (2) F15.4
- (2) L15.15() - The remaining CPU registers of the task to suspend are saved onto the current

task's stack.

- (3) F15.4
- (3) L15.15() - The pointer to the new stack frame is saved into the task's OS_TCB. This pointer is composed of the stack segment (SS register) and the stack pointer (SP register). The OS_TCB in µC/OS-II is organized such that the stack pointer is placed at the beginning of the OS_TCB structure to make it easier to save and restore the stack pointer using assembly language.
- (4) F15.4
- (5) F15.4
- (4) L15.15() - The task switch hook OSTaskSwHook is then called. Note that when OSTaskSwHook is called, OSTCBCur points to the current task's OS_TCB, while OSTCBHighRdy points to the new task's OS_TCB. You can thus access each task's OS_TCB from OSTaskSwHook. OSTaskSwHook first saves the current contents of the FPU registers into the storage area allocated to the current task. This storage is pointed to by the .OSTCBExtPtr field of the current task's OS_TCB. The FPU registers are then loaded with the values stored in the new task's storage area. Again, the .OSTCBExtPtr field of the new task points to the storage area of the floating-point registers. Of course, the storage and retrieval is contingent on the .OSTCBExtPtr of each task being non-NULL. However, it is quite possible for the new task to not require floating-point and thus not have any storage area for it. In this case, OSTaskSwHook would not change the contents of the FPU.
- (5) L15.15() - Upon return from OSTaskSwHook, OSTCBHighRdy is copied to OSTCBCur because the new task will now also be the current task.
- (6) L15.15() - Also, OSPrioHighRdy is copied to OSPrioCur for the same reason.
- (6) F15.4
- (7) L15.15() - At this point, OSTxSw can load the processor's registers with the new task's context. This is done by retrieving the SS and SP registers from the new task's OS_TCB.
- (7) F15.4

- (8) L15.15() - The remaining CPU registers are pulled from the new task's stack.
- (8) F15.4
- (9) L15.15() - An IRET instruction is executed to load the new task's program counter and status word. After this instruction, the processor resumes execution of the new task.

Note that interrupts are disabled during `OSCtxSw` and also during execution of `OSTaskSwHook`.

OSIntCtxSw()

`OSIntCtxSw` is called by `OSIntExit` to perform a context switch from an ISR (Interrupt Service Routine). Because `OSIntCtxSw` is called from an ISR, it is assumed that all the processor's integer registers are already properly saved onto the interrupted task's stack.

The code is shown in Listing 15.16 and is identical to the `OSIntCtxSw` presented in [80x86 Port with Emulated FP Support](#). The floating-point registers are handled by `OSTaskSwHook`. Figure 15.5 shows the context switch process from `OSIntCtxSw`'s point of view.

As in [80x86 Port with Emulated FP Support](#), let's assume that the processor receives an interrupt. Let's also suppose that interrupts are enabled. The processor completes the current instruction and initiates an interrupt handling procedure.

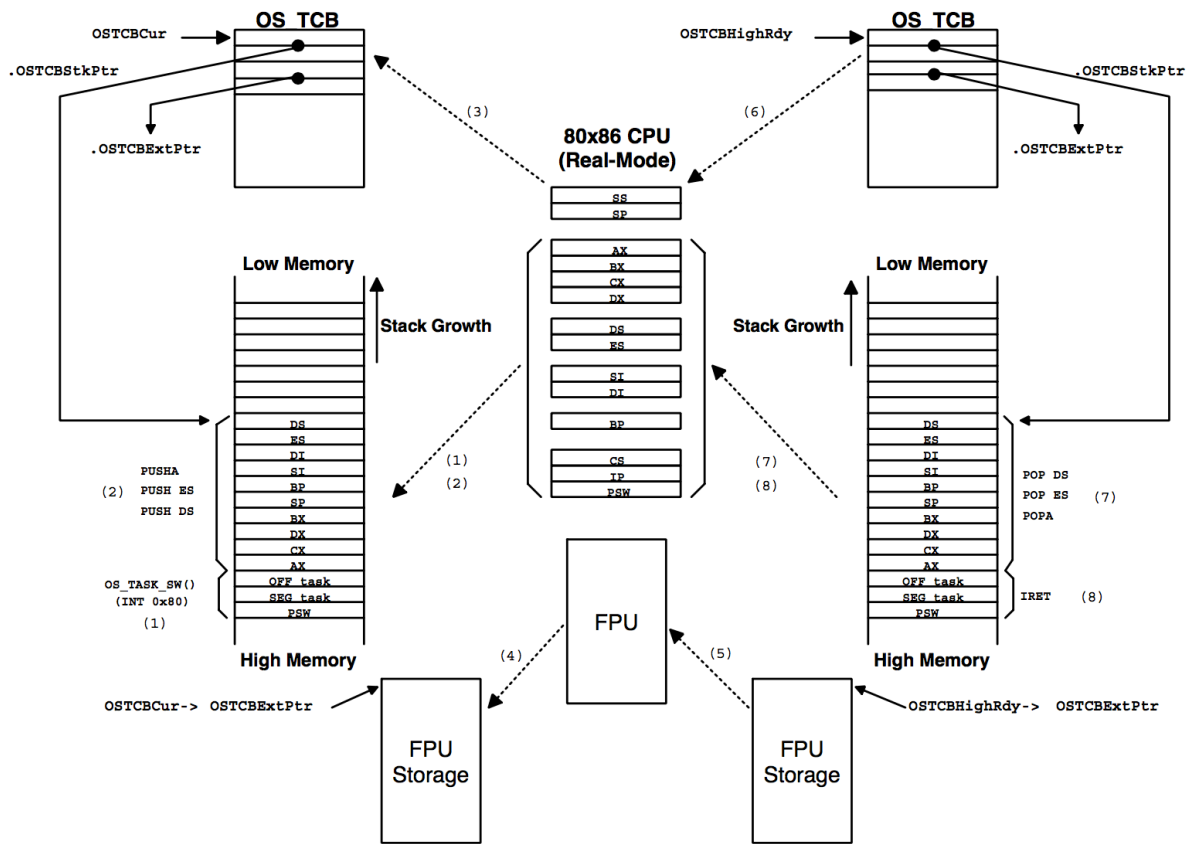


Figure - Figure 15.5 80x86 stack frames and FPU storage during an interrupt-level context switch.

- (1) The 80x86 automatically pushes the processor's SW register followed by the return address of the interrupted task onto the stack. The CPU then vectors to the proper ISR. µC/OS-II requires that your ISR begins by saving the rest of the processor's integer registers. Once the registers are saved, µC/OS-II requires that you also save the contents of the stack pointer in the task's OS_TCB.

Your ISR then needs to either call `OSIntEnter` or, increment the global variable `OSIntNesting` by one. At this point, we can assume that the task is suspended and we could, if needed, switch to a different task.

The ISR can now start servicing the interrupting device and possibly, make a higher priority task ready. This occurs if the ISR sends a message to a task by calling either `OSFlagPost`, `OSMboxPost`, `OSMboxPostOpt`, `OSQPostFront`, `OSQPost` or `OSQPostOpt`. A higher priority task can also be resumed if the ISR calls `OSTaskResume`, `OSTimeTick` or `OSTimeDlyResume`.

Assume that a higher priority task is made ready to run by the ISR. µC/OS-II requires that an

ISR calls `OSIntExit()` when it has finished servicing the interrupting device. `OSIntExit` basically tell µC/OS-II that it's time to return back to task-level code if all nested interrupts have completed. In other words, when `OSIntNesting` is decremented to 0 by `OSIntExit`, `OSIntExit` would return to task level code.

When `OSIntExit` executes, it notices that the interrupted task is no longer the task that needs to run because a higher priority task is now ready. In this case, the pointer `OSTCBHighRdy` is made to point to the new task's `OS_TCB`, and `OSIntExit` calls `OSIntCtxSw` to perform the context switch.

```
_OSIntCtxSw PROC FAR
;
; CALL FAR PTR _OSTaskSwHook (1)
;
; MOV AX, SEG _OSTCBCur
; MOV DS, AX
;
; MOV AX, WORD PTR DS:_OSTCBHighRdy+2 (2)
; MOV DX, WORD PTR DS:_OSTCBHighRdy
; MOV WORD PTR DS:_OSTCBCur+2, AX
; MOV WORD PTR DS:_OSTCBCur, DX
;
; MOV AL, BYTE PTR DS:_OSPrioHighRdy (3)
; MOV BYTE PTR DS:_OSPrioCur, AL
;
; LES BX, DWORD PTR DS:_OSTCBHighRdy (4)
; MOV SS, ES:[BX+2]
; MOV SP, ES:[BX]
;
; POP DS (5)
; POP ES
; POPA
;
; IRET (6)
;
_OSIntCtxSw ENDP
```

Listing - Listing 15.16

The notes below apply both and simultaneously to Listing 15.16 and Figure 15.5. When reading each numbered note, refer to both the listing and the figure.

(2)

(3)

(1) The first thing `OSIntCtxSw` does is call `OSTaskSwHook`. Note that when `OSTaskSwHook` is called, `OSTCBCur` points to the current task's `OS_TCB`, while `OSTCBHighRdy` points to the new task's `OS_TCB`. You can thus access each task's `OS_TCB` from `OSTaskSwHook`. As previously

discussed, `OSTaskSwHook` first saves the current contents of the FPU registers into the storage area allocated to the current task. This storage is pointed to by the `.OSTCBExtPtr` field of the current task's `OS_TCB`. The FPU registers are then loaded with the values stored in the new task's storage area. Again, the `.OSTCBExtPtr` field of the new task points to the storage area of the floating-point registers.

- (2) Upon return from `OSTaskSwHook`, `OSTCBHighRdy` is copied to `OSTCBCur` because the new task will now also be the current task.
- (3) `OSPrioHighRdy` is also copied to `OSPrioCur` for the same reason.
- (4)
- (4) At this point, `OSCtxSw` can load the processor's registers with the new task's context. This is done by retrieving the `SS` and `SP` registers from the new task's `OS_TCB`.
- (5)
- (5) The remaining CPU registers are pulled from the stack.
- (6)
- (6) An `IRET` instruction is executed to load the new task's program counter and status word. After this instruction, the processor resumes execution of the new task.

Note that interrupts are disabled during `OSIntCtxSw` and also during execution of `OSTaskSwHook`.

OSTickISR()

As mentioned in section 15.03.05, Tick Rate, the tick rate of an RTOS should be set between 10 and 100Hz. On the PC, however, the ticker occurs every 54.93ms (18.20648Hz) and is obtained by a hardware timer that interrupts the CPU. Recall that I reprogrammed the tick rate to 200Hz because it was a multiple of 18.20648Hz. The ticker on the PC is assigned to vector 0x08 but μC/OS-II redefined it so that it vectors to OSTickISR instead. Because of this, the PC's tick handler is saved [see PC.C, PC_DOSsaveReturn] in vector 129 (0x81). To satisfy DOS, however, the PC's handler is called every 54.93ms. OSTickISR for this port is identical to the OSTickISR presented in section 14.05.04 and thus, there is no need to repeat the description here. I did, however, include the code in Listing 15.17 for your convenience.

```
_OSTickISR PROC FAR
;
    PUSHA
    PUSH ES
    PUSH DS
;
    MOV AX, SEG(_OSIntNesting)
    MOV DS, AX
    INC BYTE PTR DS:_OSIntNesting
;
    CMP BYTE PTR DS:_OSIntNesting, 1
    JNE SHORT _OSTickISR1
    MOV AX, SEG(_OSTCBCur)
    MOV DS, AX
    LES BX, DWORD PTR DS:_OSTCBCur
    MOV ES:[BX+2], SS
    MOV ES:[BX+0], SP
;
_OSTickISR1:
    MOV AX, SEG(_OSTickDOSCtr)
    MOV DS, AX
    DEC BYTE PTR DS:_OSTickDOSCtr
    CMP BYTE PTR DS:_OSTickDOSCtr, 0
    JNE SHORT _OSTickISR2
;
    MOV BYTE PTR DS:_OSTickDOSCtr, 11
    INT 081H
    JMP SHORT _OSTickISR3

_OSTickISR2:
    MOV AL, 20H
    MOV DX, 20H
    OUT DX, AL
;
_OSTickISR3:
    CALL FAR PTR _OSTimeTick
;
    CALL FAR PTR _OSIntExit
;
    POP DS
    POP ES
    POPA
;
    IRET
;
_OSTickISR ENDP
```

Listing - Listing 15.17

OSFPSave()

OSFPSave is not normally part of a µC/OS-II port. OSFPSave basically takes the contents of the floating-point registers and saves them at the address passed to OSFPSave. OSFPSave is called from C but is written in assembly language because it must execute an FPU instruction which is not available from C. OSFPSave is called by the C functions OSFPInit, OSTaskCreateHook and OSTaskSwHook as follows:


```
OSFPSave((void *pblk);
```

Where pblk is the address of a storage area large enough to hold the FPU context and, must be at least 108 bytes.

Listing 15.18 shows the code for OSFPSave.

```
_OSFPSave PROC FAR
;
;   PUSH  BP                               (1)
;   MOV   BP,SP
;   PUSH  ES
;   PUSH  BX
;
;   LES   BX, DWORD PTR [BP+6]             (2)
;
;   FSAVE ES:[BX]                          (3)
;
;   POP   BX                               (4)
;   POP   ES
;   POP   BP
;
;   RET                                     (5)
;
_OSFPSave ENDP
```

Listing - Listing 15.18

- (1) OSFPSave saves integer registers onto the current task's stack because they are needed by this function.
- (2) The pointer passed to OSFPSave as an argument is loaded into ES:BX.
- (3) The FPU instruction FSAVE is executed. This instruction saves the whole context of the FPU (108 bytes worth) at the address found in ES:BX.
- (4) The temporary registers are retrieved from the stack.
- (5) OSFPSave returns to its caller.

OSFPRestore()

OSFPRestore is also not normally part of a µC/OS-II port. OSFPRestore basically loads the FPU registers with the contents of a memory buffer pointed to by the address passed to OSFPRestore. OSFPRestore is called from C but is written in assembly language because it must execute an FPU instruction which is not available from C. OSFPRestore is only called by OSTaskSwHook as follows:

```
OSFPRestore((void *pb1k);
```

Where pb1k is the address of a storage area large enough to hold the FPU context and, must be at least 108 bytes.

Listing 15.19 shows the code for OSFPRestore.

```
_OSFPRestore PROC FAR
;
;   PUSH BP (1)
;   MOV BP,SP
;   PUSH ES
;   PUSH BX
;
;   LES BX, DWORD PTR [BP+6] (2)
;
;   FRSTOR ES:[BX] (3)
;
;   POP BX (4)
;   POP ES
;   POP BP
;
;   RET (5)
;
_OSFPRestore ENDP
```

Listing - Listing 15.19

- (1) OSFPRestore saves integer registers onto the current task's stack because they are needed by this function.
- (2) The pointer passed to OSFPRestore as an argument is loaded into ES:BX.
- (3) The FPU instruction FRSTOR is executed. This instruction loads the FPU with the contents of the memory location pointed to by ES:BX.

- (4) The temporary registers are retrieved from the stack.
- (5) OSFPRestore returns to its caller.

Memory Usage

The only code that changed in [80x86 Port with Hardware FP Support](#) from the code provided in [80x86 Port with Emulated FP Support](#) was OS_CPU_A.ASM, OS_CPU_C.C and OS_CPU.H. These files add only an additional 164 of code space (ROM).

You **MUST** include the code for OSTaskCreateExt (set OS_TASK_CREATE_EXT to 1 in OS_CFG.H) and the memory management services (set OS_MEM_EN to 1 in OS_CFG.H) because this port would not work without them.

With respect to data space, this port requires a memory buffer of 128 bytes (although we only need 108 bytes) for each task that will perform floating-point operations.

The spreadsheet for this port is found on the companion CD (\SOFTWARE\µCOS-II\I86L-FP\BC45\DOC\80x86L-FP-ROM-RAM.XLS). You need Microsoft Excel for Office 2000 (or higher) to use this file. The spreadsheet allows you to do what-if scenarios based on the options you select. You can change the configuration values (in RED) and see how they affects µC/OS-II's ROM and RAM usage on the 80x86. For the ???_EN values, you **MUST** use either 0 or 1.

As with [80x86 Port with Emulated FP Support](#), I setup the Borland compiler to generate the fastest code. The number of bytes shown are not meant to be accurate but are simply provided to give you a relative idea of how much code space each of the µC/OS-II group of services require.

The spreadsheet also shows you the difference in code size based on the value of OS_ARG_CHK_EN in your OS_CFG.H. You don't need to change the value of OS_ARG_CHK_EN to see the difference.

The Data column is not as straightforward. Notice that the stacks for both the idle task and the statistics task have been set to 1,024 bytes (1Kb) each. Based on your own requirements, these number may be higher or lower. As a minimum, µC/OS-II requires about 3,500 bytes of RAM

for μC/OS-II internal data structures if you configure the maximum number of tasks (62 application tasks). I added an entry that specifies the number of tasks that will be doing floating-point operations. Remember that each such task requires a buffer of 128 bytes. One buffer is always allocated because I changed the statistic task to allow floating-point.

If you use an 80x86 processor, you will most likely not be too restricted with memory and thus, μC/OS-II will most likely not be the largest user of memory.

Thread Safety of the Compiler's Run-Time Library

As of V2.92.08, µC/OS-II provides built-in support for run-time library thread safety through the use of Task Local Storage (TLS) for storage of task-specific run-time library static data and mutual exclusion semaphores to protect accesses to shared resources.

The run-time environment consists of the run-time library, which contains the functions defined by the C and the C++ standards, and includes files that define the library interface (the system header files). Compilers provide complete libraries that are compliant with Standard C and C++. These libraries also supports floating-point numbers in IEEE 754 format and can be configured to include different levels of support for locale, file descriptors, multi-byte characters, etc. Most parts of the libraries are reentrant, but some functionality and parts are not reentrant because they require the use of static data. Different compilers provide different methods to add reentrancy to their libraries through an API defined by the tool chain supplier.

In a multi-threaded environment the C/C++ library has to handle all library objects with a global state differently. Either an object is a true global object, then any updates of its state has to be guarded by some locking mechanism to make sure that only one task can update it at any one time, or an object is local to each task, then the static variables containing the objects state must reside in a variable area local for the task. This area is commonly named thread local storage or, TLS.

The run-time library may also need to use multiple types of locks. For example, a lock could be necessary to ensure exclusive access to the file stream, another one to the heap, etc. It is thus common to protect the following functions through one or more semaphores:

- The heap through the usage of `malloc()`, `free()`, `realloc()`, and `calloc()`.
- The file system through the usage of `fopen()`, `fclose()`, `fdopen()`, `fflush()`, and `freopen()`.
- The signal system through the usage of `signal()`.
- The tempfile system through the usage of `tmpnam()`.

- Initialization of static function objects.

Thread-local storage is typically needed for the following library objects:

- Error functions through `errno` and `strerror`
- Locale functions through the usage of `localeconv()` and `setlocale()`
- Time functions through the usage of `asctime()`, `localtime()`, `gmtime()`, and `mktime()`
- Multibyte functions through the usage of `mbrlen()`, `mbrtowc()`, `mbsrtowc()`, `mbtowc()`, `wcrtomb()`, `wcsrtomb()`, and `wctomb()`
- Random functions through the usage of `rand()` and `srand()`
- Other functions through the usage of `atexit()` and `strtok()`
- C++ exception engine

Different compilers require different implementations and those implementation details are encapsulated into a single file called `os_tls.c`. There is thus one `os_tls.c` file associated with each compiler supported by Micrium and each implementation is placed in its own directory as follows:

```
\\Micrium\\Software\\uCOS-II\\TLS\\<compiler manufacturer>\\os_tls.c
```

Where ‘compiler manufacturer’ is the name of the compiler manufacturer or the code name for the compiler for which thread safety has been implemented. Refer to the code distribution to see if your compiler is supported.

Enabling Thread Safety

In order to enable thread safety, you need to do the following:

- Set `OS_TLS_TBL_SIZE` in `os_cfg.h` to a value greater than 1. The actual value depends on the number of entries needed by the compiler used. In most cases you would set this to 5 but you should consult the `os_tls.c` that you plan to use for additional information.

- Add to your build, the `os_tls.c` file that corresponds to the compiler you are using.
- Depending on the compiler and how TLS is allocated, you may also need to make sure that you have a heap. Consult your compiler documentation on how you can enable the heap and determine its size.
- Most likely, `os_tls.c` will make use of semaphores to guard access to shared resources (such as the heap or files) then you need to make sure `OS_SEM_EN` is set to 1 in `os_cfg.h`. Also, the run-time library may already define APIs to lock and unlock sections of code. The implementation of these functions should also be part of `os_tls.c`.

Task Specific Storage

When `OS_TLS_TBL_SIZE` is set to 1 or greater, each task's `OS_TCB` will contain a new array called `.OSTCBTSTb1[]` as shown below. Each array element is of type `OS_TLS` which is actually a pointer to void. This allows an `OS_TCB` to be extended so that it can have as many TLS areas as needed.

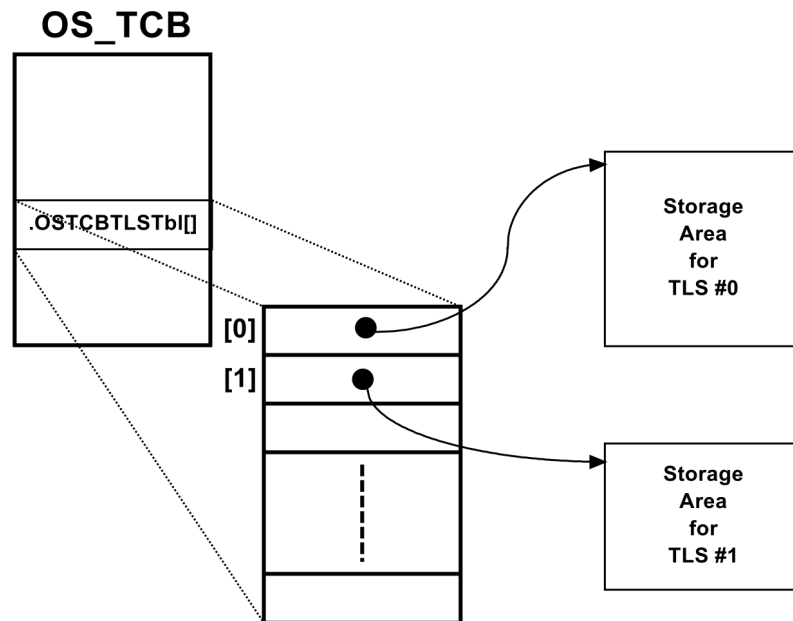


Figure - Each `OS_TCB` contains an array of `OS_TLS` when `OS_TLS_TBL_SIZE` is greater than 0 in `os_cfg.h`

The number of entries (i.e., the value to set `OS_TLS_TBL_SIZE` to) depends on the compiler being supported as well as whether TLS storage is needed for other purposes.

OS_TLS_GetID()

The index into `.OSTCBTlStb1[]` is called the TLS ID and TLS IDs are assigned through an API function. In other words, TLS IDs are assigned dynamically as needed. Once a TLS ID is assigned for a specific purpose, it cannot be 'unassigned'. The function used to assign a TLS ID is called `OS_TLS_GetID()`.

OS_TLS_SetValue()

µC/OS-II sets the value of a `.OSTCBTlStb1[]` entry by calling `OS_TLS_SetValue()`. Because TLS is specific to a given task then you will need to specify the address of the `OS_TCB` of the task, the TLS ID that you want to set and the value to store into the table entry. Shown below is `.OSTCBTlStb1[]` containing two entries (i.e., pointers) assigned by `OS_TLS_SetValue()`.

`OS_TLS_SetValue()` assigns a pointer to a `.OSTCBTlStb1[]` entry

OS_TLS_GetValue()

The value stored into a `.OSTCBTlStb1[]` entry can be retrieved by calling `OS_TLS_GetValue()`. The address of the `OS_TCB` of the task you are interested has to be specified as part of the call as well as the desired TLS ID. `OS_TLS_GetValue()` returns the value stored in that task's `.TlStb1[]` entry indexed by the TLS ID.

OS_TLS_SetDestruct()

Finally, each `.OSTCBTlStb1[]` entry can have a 'destructor' associated with it. A destructor is a function that is called when the task is deleted. Destructors are common to all tasks. This means that if a destructor is assigned for a TLS ID, the same destructor will be called for all the tasks for that entry. Also, when a task is deleted, the destructor for all of the TLS IDs will be called – assuming, of course, that a destructor was assigned to the corresponding TLS ID. You set a destructor function by calling `OS_TLS_SetDestruct()` and specify the TLS ID associated with the destructor as well as a pointer to the function that will be called. Note that a destructor function must be declared as follows:

```
void MyDestructFunction (OS_TCB *p_tcb,
```



```
OS_TLS_ID id,  
OS_TLS value);
```

The drawing below shows the global destructor table. Note that not all implementations of `os_tls.c` will have destructors for the TLS.

Array of pointers to destructor functions (global to all tasks)

OS_TLS.C Internal Functions

There are four mandatory internal functions that needs to be implemented in `os_tls.c` if `OS_CFG_TLS_TBL_SIZE` is set to a non-zero value.

void OS_TLS_Init (void)

This function is called by `OSInit()` and in fact, is called after creating the kernel objects but before creating any of the internal µC/OS-III tasks. This means that `OS_TLS_Init()` is allowed to create event flags, semaphores, mutexes and message queues. `OS_TLS_Init()` would typically create mutexes to protect access to shared resources such as the heap or streams.

void OS_TLS_TaskCreate (OS_TCB *p_tcb)

This function is called by `OSTaskCreate()` allowing each task to allocate TLS storage as needed at task creation time. If a task needs to use a specific TLS ID, the TLS ID must have been previously assigned, most likely by the startup code in `main()` or in one of the first task that runs.

`OS_TLS_TaskCreate()` is called immediately after calling `OSTaskCreateHook()`.

You should note that you cannot call `OS_TLS_GetValue()` or `OS_TLS_SetValue()` for the specified task, unless the task has been created.

`OS_TLS_TaskCreate()` should check that TLS is a feature enabled for the task being created. This is done by examining the `OS_TCB`'s option field (i.e., `p_tcb->opt`) as follows:

```
void OS_TLS_TaskCreate (OS_TCB *p_tcb)  
{  
    OS_TLS p_tls;
```

```
if ((p_tcb->Opt & OS_OPT_TASK_NO_TLS) == OS_OPT_NONE) {
    p_tls
        = /* Allocate storage for TLS */
        p_tcb->TLS_Tbl[MyTLS_ID] = p_tls;
}
}
```

void OS_TLS_TaskDel (OS_TCB *p_tcb)

This function is called by OSTaskDel() allowing each task to deallocate TLS storage that was allocated by OS_TLS_TaskCreate(). If the os_tls.c file implements destructor functions then OS_TLS_De1() should call all the destructors for the TLS IDs that have been assigned.

OS_TLS_TaskDel() is called by OSTaskDel(), immediately after calling OSTaskDelHook().

The code below shows how OS_TLS_TaskDel() can be implemented.

```
void OS_TLS_TaskDel (OS_TCB *p_tcb)
{
    OS_TLS_ID      id;
    OS_TLS_DESTRUCT_PTR *p_tbl;

    for (id = 0; id < OS_TLS_NextAvailID; id++) {
        p_tbl = &OS_TLS_DestructPtrTbl[id];
        if (*p_tbl != (OS_TLS_DESTRUCT_PTR)0) {
            (*p_tbl)(p_tcb, id, p_tcb->TLS_Tbl[id]);
        }
    }
}
```

OS_TLS_TaskDel() should actually check that TLS was used by the task being deleted. This is done by examining the OS_TCB's option field (i.e., p_tcb->Opt) as follows:

```
void OS_TLS_TaskDel (OS_TCB *p_tcb)
{
    OS_TLS_ID      id;
    OS_TLS_DESTRUCT_PTR *p_tbl;

    for (id = 0; id < OS_TLS_NextAvailID; id++) {
        p_tbl = &OS_TLS_DestructPtrTbl[id];
        if (*p_tbl != (OS_TLS_DESTRUCT_PTR)0) {
            (*p_tbl)(p_tcb, id, p_tcb->TLS_Tbl[id]);
        }
    }
}
```

An alternate implementation is shown below where OS_TLS_TaskDel() needs to deallocate storage for the task is shown below.

void OS_TLS_TaskSw (void)

This function is called by OSSched() before invoking OS_TASK_SW() and also, by OSIntExit() before calling OSIntCtxSw(). When OS_TLS_TaskSw() is called, OSTCBCurPtr will point to the task being switched out and OSTCBHighRdyPtr will point to the task being switched in.

OS_TLS_TaskSw() allows you to change the “current TLS” during a context switch. For example, if a compiler uses a global pointer that points to the current TLS then, OS_TLS_TaskSw() could set this pointer to point to the new task’s TLS.

OS_TLS_TaskSw() should check that TLS is desired for the task being switched in. This is done by examining the OS_TCB’s option field (i.e. p_tcb->Opt) as follows:

```
if ((p_tcb->Opt & OS_OPT_TASK_NO_TLS) == OS_OPT_NONE) {
    /* TLS option enabled for this task */
}
```

Compiler-Specific Lock APIs

As previously mentioned, some compilers may already have declared API functions that are called to ensure exclusive access to shared resources. For example, APIs such as _mutex_lock_file_system() and _mutex_unlock_file_system() could be required by the compiler to ensure exclusive access to the file system. os_tls.c might then implement these using µC/OS-III as shown below. Note that we also included the code to initialize the mutex in OS_TLS_Init().

```
OS_EVENT *OS_TLS_FS_Sem; /* Needed to ensure exclusive access to the FS */

void OS_TLS_Init (INT8U *p_err)
{
    OS_TLS_NextAvailID = 0u;
    OS_TLS_NewLibID    = OS_TLS_GetID(p_err);
    if (*p_err != OS_ERR_NONE) {
        return;
    }
    OS_TLS_FS_Sem = OSSemCreate(1);
}

void _mutex_lock_file_system (void)
{
    INT8U os_err;

    if (OSRunning == 0) {
```

```
        return;
    }
    OS_SemPend((OS_EVENT *)OS_TLS_FS_Sem,
              (INT32U)0u,
              (INT8U *)&os_err);
}

void _mutex_unlock_file_system (void)
{
    INT8U err;

    if (OSRunning == 0) {
        return;
    }
    OS_SemPost((OS_SEM *)OS_TLS_FS_Sem);
}
```

The compiler may require the implementation of many such API functions to ensure exclusive access to the heap, environment variables, etc. These would all be found in `os_tls.c`.

μC/OS-II API Reference

This section provides a user's guide to μC/OS-II services. Each of the user-accessible kernel services is presented in alphabetical order and the following information is provided for each of the services.

- A brief description
- The function prototype
- The filename of the source code
- The `#define` constant needed to enable the code for the service
- A description of the arguments passed to the function
- A description of the return value(s)
- Specific notes and warnings on using the service
- One or two examples of how to use the function

OS_ENTER_CRITICAL()

File	Called From	Code Enabled By
OS_CPU.H	Task or ISR	N/A

OS_ENTER_CRITICAL() and OS_EXIT_CRITICAL() are macros used to disable and enable, respectively, the processor's interrupts.

Arguments

None

Returned Value

None

Notes/Warnings

These macros must be used in pairs.

If OS_CRITICAL_METHOD is set to 3, your code is assumed to have allocated local storage for a variable of type OS_CPU_SR called `cpu_sr` as follows:

```
#if OS_CRITICAL_METHOD == 3    /* Allocate storage for CPU status register */
    OS_CPU_SR  cpu_sr;
#endif
```

Example

```
void TaskX(void *pdata)
{
    #if OS_CRITICAL_METHOD == 3
        OS_CPU_SR  cpu_sr;
    #endif
    for (;;) {
        .
        .
        OS_ENTER_CRITICAL(); /* Disable interrupts */
        .
        .                    /* Access critical code */
        .
        OS_EXIT_CRITICAL();  /* Enable interrupts */
        .
        .
    }
}
```

OS_EXIT_CRITICAL()

File	Called From	Code Enabled By
OS_CPU.H	Task or ISR	N/A

OS_ENTER_CRITICAL() and OS_EXIT_CRITICAL() are macros used to disable and enable, respectively, the processor's interrupts.

Arguments

None

Returned Value

None

Notes/Warnings

These macros must be used in pairs.

If OS_CRITICAL_METHOD is set to 3, your code is assumed to have allocated local storage for a variable of type OS_CPU_SR called `cpu_sr` as follows:

```
#if OS_CRITICAL_METHOD == 3    /* Allocate storage for CPU status register */
    OS_CPU_SR  cpu_sr;
#endif
```


Example

```
void TaskX(void *pdata)
{
    #if OS_CRITICAL_METHOD == 3
        OS_CPU_SR  cpu_sr;
    #endif
    for (;;) {
        .
        .
        OS_ENTER_CRITICAL(); /* Disable interrupts */
        .
        . /* Access critical code */
        .
        OS_EXIT_CRITICAL(); /* Enable interrupts */
        .
        .
    }
}
```

OSFlagAccept()

```
OS_FLAGS OSFlagAccept(OS_FLAG_GRP *pgrp,  
                      OS_FLAGS   flags,  
                      INT8U       wait_type,  
                      INT8U       *err);
```

File	Called From	Code Enabled By
OS_FLAG.C	Task	OS_FLAG_EN and OS_FLAG_ACCEPT_EN

OSFlagAccept() allows you to check the status of a combination of bits to be either set or cleared in an event flag group. Your application can check for ANY bit to be set/cleared or ALL bits to be set/cleared. This function behaves exactly as OSFlagPend() except that the caller will NOT block if the desired event flags are not present.

Arguments

pgrp

is a pointer to the event flag group. This pointer is returned to your application when the event flag group is created (see OSFlagCreate()).

flags

is a bit pattern indicating which bit(s) (i.e., flags) you wish to check. The bits you want are specified by setting the corresponding bits in flags . word

wait_type

specifies whether you want ALL bits to be set/cleared or ANY of the bits to be set/cleared. You can specify the following argument:

OS_FLAG_WAIT_CLR_ALL

You will check ALL bits in 'flags ' to be clear (0)

OS_FLAG_WAIT_CLR_ANY

You will check ANY bit in 'flags ' to be clear (0)

OS_FLAG_WAIT_SET_ALL

You will check ALL bits in 'flags ' to be set (1)

OS_FLAG_WAIT_SET_ANY

You will check ANY bit in 'flags ' to be set (1)

You can add OS_FLAG_CONSUME if you want the event flag(s) to be 'consumed' by the call. For example, to wait for ANY flag in a group and then clear the flags that are present, set wait_type to:

OS_FLAG_WAIT_SET_ANY + OS_FLAG_CONSUME

err

is a pointer to an error code and can be:

OS_NO_ERR

No error

OS_ERR_EVENT_TYPE

You are not pointing to an event flag group

OS_FLAG_ERR_WAIT_TYPE

You didn't specify a proper 'wait_type ' argument.

OS_FLAG_INVALID_pgrp

You passed a NULL pointer instead of the event flag handle.

OS_FLAG_ERR_NOT_RDY

The desired flags you are waiting for are not available.

Returned Value

The state of the flags in the event flag group.

Notes/Warnings

- The event flag group must be created before it is used.
- This function does NOT block if the desired flags are not present.

Example

```
#define ENGINE_OIL_PRES_OK 0x01
#define ENGINE_OIL_TEMP_OK 0x02
#define ENGINE_START      0x04

OS_FLAG_GRP *EngineStatus;

void Task (void *pdata)
{
    INT8U    err;
    OS_FLAGS value;
    pdata = pdata;
    for (;;) {
        value = OSFlagAccept(EngineStatus,
                             ENGINE_OIL_PRES_OK + ENGINE_OIL_TEMP_OK,
                             OS_FLAG_WAIT_SET_ALL,
                             &err);

        switch (err) {
            case OS_NO_ERR:
                /* Desired flags are available */
                break;
            case OS_FLAG_ERR_NOT_RDY:
                /* The desired flags are NOT available */
                break;
        }
        .
        .
    }
}
```

OSFlagCreate()

```
OS_FLAG_GRP *OSFlagCreate (OS_FLAGS flags, INT8U *err);
```

File	Called From	Code Enabled By
OS_FLAG.C	Task or startup code	OS_FLAG_EN

OSFlagCreate() is used to create and initialize an event flag group.

Arguments

flags

contains the initial value to store in the event flag group.

err

is a pointer to a variable which will be used to hold an error code. The error code can be one of the following:

OS_NO_ERR

if the call was successful and the event flag group was created.

OS_ERR_CREATE_ISR

if you attempted to create an event flag group from an ISR.

OS_FLAG_GRP_DEPLETED

if there are no more event flag groups available. You will need to increase the value of OS_MAX_FLAGS in OS_CFG.H .

Returned Value

A pointer to the event flag group if a free one is available. If no event flag group is available, OSFlagCreate() will return a NULL pointer.

Notes/Warnings

Event flag groups must be created by this function before they can be used by the other services.

Example

```
OS_FLAG_GRP *EngineStatus;

void main (void)
{
    INT8U  err;
    .
    .
    OSInit();          /* Initialize µC/OS-II          */
    .
    .
    .                  /* Create a flag group containing the engine's status */
    EngineStatus = OSFlagCreate(0x00, &err);
    .
    OSStart();        /* Start Multitasking          */
}
}
```

OSFlagDel()

```
OS_FLAG_GRP *OSFlagDel(OS_FLAG_GRP *pgrp,  
                       INT8U opt,  
                       INT8U *err);
```

File	Called From	Code Enabled By
OS_FLAG.C	Task	OS_FLAG_EN and OS_FLAG_DEL_EN

OSFlagDel() is used to delete an event flag group. This is a dangerous function to use because multiple tasks could be relying on the presence of the event flag group. You should always use this function with great care. Generally speaking, before you would delete an event flag group, you would first delete all the tasks that access the event flag group.

Arguments

pgrp

is a pointer to the event flag group. This pointer is returned to your application when the event flag group is created (see OSFlagCreate()).

opt

specifies whether you want to delete the event flag group only if there are no pending tasks (OS_DEL_NO_PEND) or whether you always want to delete the event flag group regardless of whether tasks are pending or not (OS_DEL_ALWAYS). In this case, all pending task will be readied.

err

is a pointer to a variable which will be used to hold an error code. The error code can be one of the following:

OS_NO_ERR

if the call was successful and the event flag group was deleted.

OS_ERR_DEL_ISR

if you attempted to delete an event flag group from an ISR.

OS_FLAG_INVALID_pgrp

if you passed a NULL pointer in `pgrp` .

OS_ERR_EVENT_TYPE

if `pgrp` is not pointing to an event flag group.

OS_ERR_INVALID_OPT

if you didn't specify one of the two options mentioned above.

OS_ERR_TASK_WAITING

if one or more task were waiting on the event flag group and you specified
OS_DEL_NO_PEND .

Returned Value

A NULL pointer if the event flag group is deleted, or `pgrp` if the event flag group was not deleted. In the latter case, you would need to examine the error code to determine the reason.

Notes/Warnings

- You should use this call with care because other tasks may expect the presence of the event flag group.
- This call can potentially disable interrupts for a long time. The interrupt disable time is directly proportional to the number of tasks waiting on the event flag group.

Example

```
OS_FLAG_GRP *EngineStatusFlags;

void Task (void *pdata)
{
    INT8U      err;
    OS_FLAG_GRP *pgrp
;
    pdata = pdata;
    while (1) {
        .
        .
        pgrp = OSFlagDel(EngineStatusFlags, OS_DEL_ALWAYS, &err);
        if (pgrp == (OS_FLAG_GRP *)0) {
            /* The event flag group was deleted */
        }
        .
        .
    }
}
```

OSFlagPend()

```
OS_FLAGS OSFlagPend(OS_FLAG_GRP *pgrp,  
                    OS_FLAGS  flags,  
                    INT8U     wait_type,  
                    INT16U    timeout,  
                    INT8U     *err);
```

File	Called From	Code Enabled By
OS_FLAG.C	Task only	OS_FLAG_EN

OSFlagPend() is used to have a task wait for a combination of conditions (i.e., events or bits) to be set (or cleared) in an event flag group. Your application can wait for ANY condition to be set (or cleared) or, ALL conditions to be either set or cleared. If the events that the calling task desires are not available then, the calling task will be blocked until the desired conditions are satisfied or, the specified timeout expires.

Arguments

pgrp

is a pointer to the event flag group. This pointer is returned to your application when the event flag group is created (see OSFlagCreate()).

flags

is a bit pattern indicating which bit(s) (i.e., flags) you wish to check. The bits you want are specified by setting the corresponding bits in flags .

wait_type

specifies whether you want ALL bits to be set/cleared or ANY of the bits to be set/cleared. You can specify the following argument:

OS_FLAG_WAIT_CLR_ALL

You will check ALL bits in 'flags ' to be clear (0)

OS_FLAG_WAIT_CLR_ANY

You will check ANY bit in 'flags ' to be clear (0)

OS_FLAG_WAIT_SET_ALL

You will check ALL bits in 'flags ' to be set (1)

OS_FLAG_WAIT_SET_ANY

You will check ANY bit in 'flags ' to be set (1)

You can also specify whether the flags will be 'consumed' by adding OS_FLAG_CONSUME to the wait_type . For example, to wait for ANY flag in a group and then CLEAR the flags that satisfy the condition, set wait_type to:

OS_FLAG_WAIT_SET_ANY + OS_FLAG_CONSUME

err

is a pointer to an error code and can be:

OS_NO_ERR

No error

OS_ERR_PEND_ISR

You tried to call OSFlagPend from an ISR which is not allowed.

OS_FLAG_INVALID_pgrp

You passed a NULL pointer instead of the event flag handle.

OS_ERR_EVENT_TYPE

You are not pointing to an event flag group

OS_TIMEOUT

The flags were not available within the specified amount of time.

OS_FLAG_ERR_WAIT_TYPE

You didn't specify a proper 'wait_type' argument.

Returned Value

The value of the flags in the event flag group after they are consumed (if OS_FLAG_CONSUME is specified) or, the state of the flags just before OSFlagPend() returns. OSFlagPend() returns 0 if a timeout occurs.

Notes/Warnings

The event flag group must be created before it's used.

Example

```
#define ENGINE_OIL_PRES_OK 0x01
#define ENGINE_OIL_TEMP_OK 0x02
#define ENGINE_START      0x04

OS_FLAG_GRP *EngineStatus;

void Task (void *pdata)
{
    INT8U    err;
    OS_FLAGS value;
    pdata = pdata;
    for (;;) {
        value = OSFlagPend(EngineStatus,
                           ENGINE_OIL_PRES_OK + ENGINE_OIL_TEMP_OK,
                           OS_FLAG_WAIT_SET_ALL + OS_FLAG_CONSUME,
                           10,
                           &err);

        switch (err) {
            case OS_NO_ERR:
                /* Desired flags are available */
                break;
            case OS_TIMEOUT:
                /* The desired flags were NOT available before 10 ticks occurred */
                break;
        }
        .
        .
    }
}
```

OSFlagPost()

```
OS_FLAGS OSFlagPost(OS_FLAG_GRP *pgrp,  
                   OS_FLAGS  flags,  
                   INT8U     opt,  
                   INT8U     *err);
```

File	Called From	Code Enabled By
OS_FLAG.C	Task or ISR	OS_FLAG_EN

You set or clear event flag bits by calling `OSFlagPost()`. The bits set or cleared are specified in a 'bit mask'. `OSFlagPost()` will ready each task that has it's desired bits satisfied by this call. You can set or clear bits that are already set or cleared.

Arguments

`pgrp`

is a pointer to the event flag group. This pointer is returned to your application when the event flag group is created (see `OSFlagCreate()`).

`flags`

specifies which bits you want set or cleared. If `opt` (see below) is `OS_FLAG_SET`, each bit that is set in 'flags' will set the corresponding bit in the event flag group. For example, to set bits 0, 4 and 5 you would set `flags` to `0x31` (note, bit 0 is least significant bit). If `opt` (see below) is `OS_FLAG_CLR`, each bit that is set in `flags` will CLEAR the corresponding bit in the event flag group. For example, to clear bits 0, 4 and 5 you would specify 'flags' as `0x31` (note, bit 0 is least significant bit).

`opt`

indicates whether the `flags` will be set (`OS_FLAG_SET`) or cleared (`OS_FLAG_CLR`).

`err`

is a pointer to an error code and can be:

OS_NO_ERR

The call was successful

OS_FLAG_INVALID_pgrp

You passed a NULL pointer

OS_ERR_EVENT_TYPE

You are not pointing to an event flag group

OS_FLAG_INVALID_OPT

You specified an invalid option

Returned Value

The new value of the event flags.

Notes/Warnings

- Event flag groups must be created before they are used.
- The execution time of this function depends on the number of tasks waiting on the event flag group. However, the execution time is deterministic.
- The amount of time interrupts are DISABLED also depends on the number of tasks waiting on the event flag group.

Example

```
#define ENGINE_OIL_PRES_OK    0x01
#define ENGINE_OIL_TEMP_OK   0x02
#define ENGINE_START         0x04

OS_FLAG_GRP *EngineStatusFlags;

void TaskX (void *pdata)
{
    INT8U err;
    pdata = pdata;
    for (;;) {
        .
        .
        err = OSFlagPost(EngineStatusFlags, ENGINE_START, OS_FLAG_SET, &err);
        .
        .
    }
}
```

OSFlagQuery()

```
OS_FLAGS OSFlagQuery (OS_FLAG_GRP *pgrp,  
                     INT8U      *err);
```

File	Called From	Code Enabled By
OS_FLAG.C	Task or ISR	OS_FLAG_EN and OS_FLAG_QUERY_EN

OSFlagQuery() is used to obtain the current value of the event flags in a group. At this time, this function does NOT return the list of tasks waiting for the event flag group.

Arguments

pgrp

is a pointer to the event flag group. This pointer is returned to your application when the event flag group is created (see OSFlagCreate()).

err

is a pointer to an error code and can be:

OS_NO_ERR

The call was successful

OS_FLAG_INVALID_pgrp

You passed a NULL pointer

OS_ERR_EVENT_TYPE

You are not pointing to an event flag group

Returned Value

The state of the flags in the event flag group.

Notes/Warnings

- The event flag group to query must be created.
- You can call this function from an ISR.

Example

```
OS_FLAG_GRP *EngineStatusFlags;

void Task (void *pdata)
{
    OS_FLAGS flags;
    INT8U   err;
    pdata = pdata;
    for (;;) {
        .
        .
        flags = OSFlagQuery(EngineStatusFlags, &err);
        .
        .
    }
}
```

OSInit()

```
void OSInit (void);
```

File	Called From	Code Enabled By
OS_CORE.C	Startup code only	N/A

OSInit() initializes µC/OS-II and must be called prior to calling OSStart() , which actually starts multitasking.

Arguments

None

Returned Value

None

Notes/Warnings

OSInit() must be called before OSStart() .

Example

```
void main (void)
{
    .
    OSInit();    /* Initialize uC/OS-II */
    .
    OSStart();  /* Start Multitasking */
}
```

OSIntEnter()

```
void OSIntEnter (void);
```

File	Called From	Code Enabled By
OS_CORE.C	ISR only	N/A

OSIntEnter() notifies µC/OS-II that an ISR is being processed. This allows µC/OS-II to keep track of interrupt nesting. OSIntEnter() is used in conjunction with OSIntExit() .

Arguments

None

Returned Value

None

Notes/Warnings

This function must not be called by task-level code.

You can increment the interrupt nesting counter (OSIntNesting) directly in your ISR to avoid the overhead of the function call/return. It's save to increment OSIntNesting in your ISR because interrupts are assumed to be disabled when OSIntNesting needs to be incremented.

You are allowed to nest interrupts up to 255 levels deep.

Example 1

(Intel 80x86, real mode, large model)

Use OSIntEnter() for backward compatibility with µC/OS.

```
ISRx PROC FAR  
        PUSHA                ; Save interrupted task's context  
        PUSH  ES  
        PUSH  DS
```

```
;  
    MOV    AX, SEG(_OSIntNesting) ; Reload DS  
    MOV    DS, AX  
;  
    CALL   FAR PTR _OSIntEnter    ; Notify µC/OS-II of start of ISR  
    .  
    .  
    POP    DS                    ; Restore processor registers  
    POP    ES  
    POPA  
    IRET                               ; Return from interrupt  
ISRx ENDP
```

Example 2

(Intel 80x86, real mode, large model)

```
ISRx    PROC    FAR  
        PUSHA                                ; Save interrupted task's context  
        PUSH   ES  
        PUSH   DS  
;  
        MOV    AX, SEG(_OSIntNesting) ; Reload DS  
        MOV    DS, AX  
;  
        INC    BYTE PTR _OSIntNesting ; Notify µC/OS-II of start of ISR  
        .  
        .  
        .  
        POP    DS                    ; Restore processor registers  
        POP    ES  
        POPA  
        IRET                               ; Return from interrupt  
ISRx    ENDP
```

OSIntExit()

```
void OSIntExit (void);
```

File	Called From	Code Enabled By
OS_CORE.C	ISR only	N/A

OSIntExit() notifies µC/OS-II that an ISR has completed. This allows µC/OS-II to keep track of interrupt nesting. OSIntExit() is used in conjunction with OSIntEnter() . When the last nested interrupt completes, OSIntExit() determines if a higher priority task has been made ready to run, in which case, the interrupt returns to the higher priority task instead of the interrupted task.

Arguments

None

Returned Value

None

Notes/Warnings

This function must not be called by task-level code. Also, if you decided to increment OSIntNesting, you still need to call OSIntExit() .

Example

```
(Intel 80x86, real mode, large model)
ISRx  PROC  FAR
      PUSHA                ; Save processor registers
      PUSH  ES
      PUSH  DS
      .
      .
      CALL  FAR PTR _OSIntExit ; Notify µC/OS-II of end of ISR
      POP  DS                ; Restore processor registers
      POP  ES
      POPA
      IRET                  ; Return to interrupted task
ISRx  ENDP
```

OSMboxAccept()

```
void *OSMboxAccept (OS_EVENT *pevent);
```

File	Called From	Code Enabled By
OS_MBOX.C	Task or ISR	OS_MBOX_EN and OS_MBOX_ACCEPT_EN

OSMboxAccept() allows you to see if a message is available from the desired mailbox. Unlike OSMboxPend(), OSMboxAccept() does not suspend the calling task if a message is not available. In other words, OSMboxAccept() is non-blocking. If a message is available, the message is returned to your application and the content of the mailbox is cleared. This call is typically used by ISRs because an ISR is not allowed to wait for a message at a mailbox.

Arguments

pevent

is a pointer to the mailbox from which the message is received. This pointer is returned to your application when the mailbox is created [see OSMboxCreate()].

Returned Value

A pointer to the message if one is available; NULL if the mailbox does not contain a message.

Notes/Warnings

Mailboxes must be created before they are used.

Example

```
OS_EVENT *CommMbox;

void Task (void *pdata)
{
    void *msg;
    pdata = pdata;
    for (;;) {
        msg = OSMsgboxAccept(CommMbox); /* Check mailbox for a message
    */
        if (msg != (void *)0) {
            . /* Message received, process
        */
            .
        } else {
            . /* Message not received, do ..
        */
            . /* .. something else
        */
        }
        .
        .
    }
}
```

OSMboxCreate()

```
OS_EVENT *OSMboxCreate (void *msg);
```

File	Called From	Code Enabled By
OS_MBOX.C	Task or startup code	OS_MBOX_EN

OSMboxCreate() creates and initializes a mailbox. A mailbox allows tasks or ISRs to send a pointer-sized variable (message) to one or more tasks.

Arguments

msg

is used to initialize the contents of the mailbox. The mailbox is empty when msg is a NULL pointer. The mailbox initially contains a message when msg is non-NULL.

Returned Value

A pointer to the event control block allocated to the mailbox. If no event control block is available, OSMboxCreate() returns a NULL pointer.

Notes/Warnings

Mailboxes must be created before they are used.

Example

```
OS_EVENT *CommMbox;

void main(void)
{
    .
    .
    OSInit();                /* Initialize µC/OS-II */
    .
    .
    CommMbox = OSMboxCreate((void *)0); /* Create COMM mailbox */
    OSStart();                /* Start Multitasking */
}
```


OSMboxDel()

```
OS_EVENT *OSMboxDel (OS_EVENT *pevent,  
                    INT8U opt,  
                    INT8U *err);
```

File	Called From	Code Enabled By
OS_MBOX.C	Task	OS_MBOX_EN and OS_MBOX_DEL_EN

OSMboxDel() is used to delete a message mailbox. This is a dangerous function to use because multiple tasks could attempt to access a deleted mailbox. You should always use this function with great care. Generally speaking, before you would delete a mailbox, you would first delete all the tasks that can access the mailbox.

Arguments

pevent

is a pointer to the mailbox. This pointer is returned to your application when the mailbox is created (see OSMboxCreate()).

opt

specifies whether you want to delete the mailbox only if there are no pending tasks (OS_DEL_NO_PEND) or whether you always want to delete the mailbox regardless of whether tasks are pending or not (OS_DEL_ALWAYS). In this case, all pending task will be readied.

err

is a pointer to a variable which will be used to hold an error code. The error code can be one of the following:

OS_NO_ERR

if the call was successful and the mailbox was deleted.

OS_ERR_DEL_ISR

if you attempted to delete the mailbox from an ISR

OS_ERR_INVALID_OPT

if you didn't specify one of the two options mentioned above.

OS_ERR_TASK_WAITING

One or more tasks were waiting on the mailbox

OS_ERR_EVENT_TYPE

if pevent is not pointing to a mailbox.

OS_ERR_PEVENT_NULL

if there are no more OS_EVENT structures available.

Returned Value

A NULL pointer if the mailbox is deleted or, pevent if the mailbox was not deleted. In the latter case, you would need to examine the error code to determine the reason.

Notes/Warnings

You should use this call with care because other tasks may expect the presence of the mailbox.

Interrupts are disabled when pended tasks are readied. This means that interrupt latency depends on the number of tasks that were waiting on the mailbox.

OSMboxAccept() callers will not know that the mailbox has been deleted.

Example

```
OS_EVENT *DispMbox;

void Task (void *pdata)
{
    INT8U  err;
    pdata = pdata;
    while (1) {
        .
        .
        DispMbox = OSMboxDel(DispMbox, OS_DEL_ALWAYS, &err);
        if (DispMbox == (OS_EVENT *)0) {
            /* Mailbox has been deleted */
        }
        .
        .
    }
}
```

OSMboxPend()

```
void *OSMboxPend (OS_EVENT *pevent,  
                 INT16U  timeout,  
                 INT8U   *err);
```

File	Called From	Code Enabled By
OS_MBOX.C	Task only	OS_MBOX_EN

OSMboxPend() is used when a task expects to receive a message. The message is sent to the task either by an ISR or by another task. The message received is a pointer-sized variable and its use is application specific. If a message is present in the mailbox when OSMboxPend() is called, the message is retrieved, the mailbox is emptied, and the retrieved message is returned to the caller. If no message is present in the mailbox, OSMboxPend() suspends the current task until either a message is received or a user-specified timeout expires. If a message is sent to the mailbox and multiple tasks are waiting for the message, µC/OS-II resumes the highest priority task waiting to run. A pending task that has been suspended with OSTaskSuspend() can receive a message. However, the task remains suspended until it is resumed by calling OSTaskResume() .

Arguments

pevent

is a pointer to the mailbox from which the message is received. This pointer is returned to your application when the mailbox is created [see OSMboxCreate()].

timeout

allows the task to resume execution if a message is not received from the mailbox within the specified number of clock ticks. A timeout value of 0 indicates that the task wants to wait forever for the message. The maximum timeout is 65,535 clock ticks. The timeout value is not synchronized with the clock tick. The timeout count begins decrementing on the next clock tick, which could potentially occur immediately.

err

is a pointer to a variable that holds an error code. OSMboxPend() sets *err to one of the

following:

OS_NO_ERR

if a message was received.

OS_TIMEOUT

if a message was not received within the specified timeout period.

OS_ERR_EVENT_TYPE

pevent is not pointing to a mailbox.

OS_ERR_PEND_ISR

if you called this function from an ISR and μC/OS-II has to suspend it. In general, you should not call `OSMboxPend()` from an ISR, but μC/OS-II checks for this situation anyway.

OS_ERR_PEVENT_NULL

if pevent is a NULL pointer.

Returned Value

`OSMboxPend()` returns the message sent by either a task or an ISR and `*err` is set to `OS_NO_ERR`. If a message is not received within the specified timeout period, the returned message is a NULL pointer and `*err` is set to `OS_TIMEOUT`.

Notes/Warnings

- Mailboxes must be created before they are used.
- You should not call `OSMboxPend()` from an ISR.

Example

```
OS_EVENT *CommMbox;

void CommTask(void *pdata)
{
    INT8U  err;
    void  *msg;
    pdata = pdata;
    for (;;) {
        .
        .
        msg = OSMboxPend(CommMbox, 10, &err);
        if (err == OS_NO_ERR) {
            .
            . /* Code for received message */
            .
        } else {
            .
            . /* Code for message not received within timeout */
            .
        }
        .
    }
}
```

OSMboxPost()

```
INT8U OSMboxPost (OS_EVENT *pevent,  
                 void *msg);
```

File	Called From	Code Enabled By
OS_MBOX.C	Task or ISR	OS_MBOX_EN and OS_MBOX_POST_EN

OSMboxPost() sends a message to a task through a mailbox. A message is a pointer-sized variable and its use is application specific. If a message is already in the mailbox, an error code is returned indicating that the mailbox is full. OSMboxPost() then immediately returns to its caller and the message is not placed in the mailbox. If any task is waiting for a message at the mailbox, the highest priority task waiting receives the message. If the task waiting for the message has a higher priority than the task sending the message, the higher priority task is resumed and the task sending the message is suspended. In other words, a context switch occurs.

Arguments

pevent

is a pointer to the mailbox into which the message is deposited. This pointer is returned to your application when the mailbox is created [see OSMboxCreate()].

msg

is the actual message sent to the task. msg is a pointer-sized variable and is application specific. You must never post a NULL pointer because this indicates that the mailbox is empty.

Returned Value

OSMboxPost() returns one of two error codes:

OS_NO_ERR

if the message was deposited in the mailbox.

OS_MBOX_FULL

if the mailbox already contained a message.

OS_ERR_EVENT_TYPE

if pevent is not pointing to a mailbox.

OS_ERR_PEVENT_NULL

if pevent is a pointer to NULL.

OS_ERR_POST_NULL_PTR

if you are attempting to post a NULL pointer. By convention a NULL pointer is not supposed to point to anything.

Notes/Warnings

Mailboxes must be created before they are used.

You must never post a NULL pointer because this indicates that the mailbox is empty.

Example

```
OS_EVENT *CommMbox;
INT8U    CommRxBuf[100];
void CommTaskRx(void *pdata)
{
    INT8U err;
    pdata = pdata;
    for (;;) {
        .
        .
        err = OSMBboxPost(CommMbox, (void *)&CommRxBuf[0]);
        .
        .
    }
}
```


OSMboxPostOpt()

```
INT8U OSMboxPostOpt (OS_EVENT *pevent,  
                    void *msg,  
                    INT8U opt);
```

File	Called From	Code Enabled By
OS_MBOX.C	Task or ISR	OS_MBOX_EN and OS_MBOX_POST_OPT_EN

OSMboxPostOpt() works just like OSMboxPost() except that it allows you to post a message to *multiple* tasks. In other words, OSMboxPostOpt() allows the message posted to be broadcast to ALL tasks waiting on the mailbox. OSMboxPostOpt() can actually replace OSMboxPost() because it can emulate OSMboxPost() .

OSMboxPostOpt() is used to send a message to a task through a mailbox. A message is a pointer-sized variable and its use is application specific. If a message is already in the mailbox, an error code is returned indicating that the mailbox is full. OSMboxPostOpt() then immediately returns to its caller and the message is not placed in the mailbox. If any task is waiting for a message at the mailbox, OSMboxPostOpt() allows you to either post the message to the highest priority task waiting at the mailbox (opt set to OS_POST_OPT_NONE) or, to all tasks waiting at the mailbox (opt is set to OS_POST_OPT_BROADCAST). In either case, scheduling will occur and if any of the task that receives the message has a higher priority than the task that is posting the message then, the higher priority task will be resumed and the sending task will be suspended. In other words, a context switch will occur.

Arguments

pevent

is a pointer to the mailbox. This pointer is returned to your application when the mailbox is created (see OSMboxCreate()).

msg

is the actual message sent to the task(s) msg is a pointer-sized variable and what msg points to is application specific. You must never post a NULL pointer because this indicates that the mailbox is empty.

opt

specifies whether you want to send the message to the highest priority task waiting at the mailbox (when opt is set to OS_POST_OPT_NONE) or, to ALL tasks waiting at the mailbox (when opt is set to OS_POST_OPT_BROADCAST).

Returned Value

err

is a pointer to a variable which will be used to hold an error code. The error code can be one of the following:

OS_NO_ERR

if the call was successful and the message was sent.

OS_MBOX_FULL

if the mailbox already contains a message. You can only send ONE message at a time to a mailbox and thus, the message MUST be consumed before you are allowed to send another one.

OS_ERR_EVENT_TYPE

if pevent is not pointing to a mailbox.

OS_ERR_PEVENT_NULL

if pevent is a NULL pointer.

OS_ERR_POST_NULL_PTR

if you are attempting to post a NULL pointer. By convention, a NULL pointer is not supposed to point to anything.

Notes/Warnings

Mailboxes must be created before they are used.

You must NEVER post a NULL pointer to a mailbox because this indicates that the mailbox is empty.

If you need to use this function and want to reduce code space, you may disable code generation of `OSMboxPost()` since `OSMboxPostOpt()` can emulate `OSMboxPost()` .

The execution time of `OSMboxPostOpt()` depends on the number of tasks waiting on the mailbox if you set `opt` to `OS_POST_OPT_BROADCAST` .

Example

```
OS_EVENT *CommMbox;

INT8U    CommRxBuf[100];

void CommRxTask (void *pdata)
{
    INT8U  err;
    pdata = pdata;
    for (;;) {
        .
        .
        err = OSMboxPostOpt(CommMbox, (void *)&CommRxBuf[0], OS_POST_OPT_BROADCAST);
        .
        .
    }
}
```

OSMboxQuery()

```
INT8U OSMboxQuery (OS_EVENT *pevent,  
                  OS_MBOX_DATA *pdata);
```

File	Called From	Code Enabled By
OS_MBOX.C	Task or ISR	OS_MBOX_EN and OS_MBOX_QUERY_EN

OSMboxQuery() obtains information about a message mailbox. Your application must allocate an OS_MBOX_DATA data structure, which is used to receive data from the event control block of the message mailbox. OSMboxQuery() allows you to determine whether any tasks are waiting for a message at the mailbox and how many tasks are waiting (by counting the number of 1s in the .OSEventTbl[] field). You can also examine the content of the mailbox. Note that the size of .OSEventTbl[] is established by the #define constant OS_EVENT_TBL_SIZE (see uCOS_II.H).

Arguments

pevent

is a pointer to the mailbox. This pointer is returned to your application when the mailbox is created [see OSMboxCreate()].

pdata

is a pointer to a data structure of type OS_MBOX_DATA , which contains the following fields:

```
void *OSMsg; /* Copy of the message stored in the mailbox */  
INT8U OSEventTbl[OS_EVENT_TBL_SIZE]; /* Copy of the mailbox wait list */  
INT8U OSEventGrp;
```

Returned Value

OSMboxQuery() returns one of two error codes:

OS_NO_ERR

if the call was successful.

OS_ERR_PEVENT_NULL

if pevent is a NULL pointer.

OS_ERR_EVENT_TYPE

if you didn't pass a pointer to a message mailbox.

Notes/Warnings

Message mailboxes must be created before they are used.

Example

```
OS_EVENT *CommMbox;
void Task (void *pdata)
{
    OS_MBOXDATA mbox_data;
    INT8U    err;
    pdata = pdata;
    for (;;) {
        .
        .
        err = OSMsgQuery(CommMbox, &mbox_data);
        if (err == OS_NO_ERR) {
            . /* Mailbox contains a message if mbox_data.OSMsg is not NULL */
        }
        .
        .
    }
}
```

OSMemCreate()

```
OS_MEM *OSMemCreate (void *addr,  
                    INT32U nblks,  
                    INT32U blksize,  
                    INT8U *err);
```

File	Called From	Code Enabled By
OS_MEM.C	Task or startup code	OS_MEM_EN

OSMemCreate() creates and initializes a memory partition. A memory partition contains a user-specified number of fixed-size memory blocks. Your application can obtain one of these memory blocks and, when done, release the block back to the partition.

Arguments

`addr`

is the address of the start of a memory area that is used to create fixed-size memory blocks. Memory partitions can be created either using static arrays or `malloc()` during startup.

`nblks`

contains the number of memory blocks available from the specified partition. You must specify at least two memory blocks per partition.

`blksize`

specifies the size (in bytes) of each memory block within a partition. A memory block must be large enough to hold at least a pointer.

`err`

is a pointer to a variable that holds an error code. `OSMemCreate()` sets `*err` to

`OS_NO_ERR`

if the memory partition was created successfully,

`OS_MEM_INVALID_ADDR`

if you are specifying an invalid address (i.e., `addr` is a NULL pointer),

`OS_MEM_INVALID_PART`

if a free memory partition was not available,

`OS_MEM_INVALID_BLKs`

if you didn't specify at least two memory blocks per partition, or

`OS_MEM_INVALID_SIZE`

if you didn't specify a block size that can contain at least a pointer variable.

Returned Value

`OSMemCreate()` returns a pointer to the created memory partition control block if one is available. If no memory partition control block is available, `OSMemCreate()` returns a NULL pointer.

Notes/Warnings

Memory partitions must be created before they are used.

Example

```
OS_MEM *CommMem;

INT8U  CommBuf[16][128];

void main(void)
{
    INT8U err;
    OSInit();                /* Initialize µC/OS-II      */
    .
    .
    CommMem = OSMemCreate(&CommBuf[0][0], 16, 128, &err);
    .
    .
    OSStart();              /* Start Multitasking     */
}
```


OSMemGet()

```
void *OSMemGet (OS_MEM *pmem,  
               INT8U *err);
```

File	Called From	Code Enabled By
OS_MEM.C	Task or ISR	OS_MEM_EN

OSMemGet obtains a memory block from a memory partition. It is assumed that your application knows the size of each memory block obtained. Also, your application must return the memory block [using OSMemPut()] when it no longer needs it. You can call OSMemGet() more than once until all memory blocks are allocated.

Arguments

pmem

is a pointer to the memory partition control block that is returned to your application from the OSMemCreate() call.

err

is a pointer to a variable that holds an error code. OSMemGet() sets *err to one of the following:

OS_NO_ERR

if a memory block was available and returned to your application.

OS_MEM_NO_FREE_BLKs

if the memory partition didn't contain any more memory blocks to allocate.

OS_MEM_INVALID_PMEM

if pmem is a NULL pointer.

Returned Value

OSMemGet() returns a pointer to the allocated memory block if one is available. If no memory block is available from the memory partition, OSMemGet() returns a NULL pointer.

Notes/Warnings

Memory partitions must be created before they are used.

Example

```
OS_MEM *CommMem;

void Task (void *pdata)
{
    INT8U *msg;
    pdata = pdata;
    for (;;) {
        msg = OSMemGet(CommMem, &err);
        if (msg != (INT8U *)0) {
            .                /* Memory block allocated, use it. */
            .
        }
        .
        .
    }
}
```

OSMemPut()

```
INT8U OSMemPut (OS_MEM *pmem,  
               void *pblk);
```

File	Called From	Code Enabled By
OS_MEM.C	Task or ISR	OS_MEM_EN

OSMemPut() returns a memory block to a memory partition. It is assumed that you will return the memory block to the appropriate memory partition.

Arguments

`pmem`

is a pointer to the memory partition control block that is returned to your application from the OSMemCreate() call.

`pblk`

is a pointer to the memory block to be returned to the memory partition.

Returned Value

OSMemPut() returns one of the following error codes:

OS_NO_ERR

if a memory block was available and returned to your application.

OS_MEM_FULL

if the memory partition could not accept more memory blocks. This is surely an indication that something is wrong because you are returning more memory blocks than you obtained using OSMemGet() .

OS_MEM_INVALID_PMEM

if pmem is a NULL pointer.

OS_MEM_INVALID_PBLK

if pblk is a NULL pointer.

Notes/Warnings

Memory partitions must be created before they are used.

You must return a memory block to the proper memory partition.

Example

```
OS_MEM *CommMem;

INT8U *CommMsg;

void Task (void *pdata)
{
    INT8U err;
    pdata = pdata;
    for (;;) {
        err = OSMemPut(CommMem, (void *)CommMsg);
        if (err == OS_NO_ERR) {
            .           /* Memory block released      */
            .
        }
        .
        .
    }
}
```

OSMemQuery()

```
INT8U OSMemQuery (OS_MEM *pmem,  
                 OS_MEM_DATA *pdata);
```

File	Called From	Code Enabled By
OS_MEM.C	Task or ISR	OS_MEM_EN and OS_MEM_QUERY_EN

OSMemQuery() obtains information about a memory partition. Basically, this function returns the same information found in the OS_MEM data structure, but in a new data structure called OS_MEM_DATA . OS_MEM_DATA also contains an additional field that indicates the number of memory blocks in use.

Arguments

pmem

is a pointer to the memory partition control block that is returned to your application from the OSMemCreate() call.

pdata

is a pointer to a data structure of type OS_MEM_DATA , which contains the following fields:

```
void *OSAddr; /* Points to beginning address of the memory partition */  
void *OSFreeList; /* Points to beginning of the free list of memory blocks */  
INT32U OSBlkSize; /* Size (in bytes) of each memory block */  
INT32U OSNBlks; /* Total number of blocks in the partition */  
INT32U OSNFree; /* Number of memory blocks free */  
INT32U OSNUsed; /* Number of memory blocks used */
```

Returned Value

OSMemQuery() returns one of the following error codes:

OS_NO_ERR

if a memory block was available and returned to your application.

OS_MEM_INVALID_PMEM

if pmem is a NULL pointer.

OS_MEM_INVALID_PDATA

if pdata is a NULL pointer.

Notes/Warnings

Memory partitions must be created before they are used.

Example

```
OS_MEM      *CommMem;

void Task (void *pdata)
{
    INT8U      err;
    OS_MEM_DATA mem_data;
    pdata = pdata;
    for (;;) {
        .
        .
        err = OSMemQuery(CommMem, &mem_data);
        .
        .
    }
}
```

OSMutexAccept()

```
INT8U OSMutexAccept (OS_EVENT *pevent,  
                    INT8U *err);
```

File	Called From	Code Enabled By
OS_MUTEX.C	Task	OS_MUTEX_EN

OSMutexAccept() allows you to check to see if a resource is available. Unlike OSMutexPend() , OSMutexAccept() does not suspend the calling task if the resource is not available. In other words, OSMutexAccept() is non-blocking.

Arguments

pevent

is a pointer to the mutex that guards the resource. This pointer is returned to your application when the mutex is created (see OSMutexCreate()).

err

is a pointer to a variable used to hold an error code. OSMutexAccept() sets *err to one of the following:

OS_NO_ERR

if the call was successful.

OS_ERR_EVENT_TYPE

if pevent is not pointing to a mutex.

OS_ERR_PEVENT_NULL

if pevent is a NULL pointer.

OS_ERR_PEND_ISR

if you called `OSMutexAccept()` from an ISR.

Returned Value

If the mutex was available, `OSMutexAccept()` returns 1. If the mutex was owned by another task, `OSMutexAccept()` returns 0.

Notes/Warnings

- Mutexes must be created before they are used.
- This function **MUST NOT** be called by an ISR.
- If you acquire the mutex through `OSMutexAccept()` , you **MUST** call `OSMutexPost()` to release the mutex when you are done with the resource.

Example

```
OS_EVENT *DispMutex;

void Task (void *pdata)
{
    INT8U  err;
    INT8U  value;
    pdata = pdata;
    for (;;) {
        value = OSMutexAccept(DispMutex, &err);
        if (value == 1) {
            .                               /* Resource available, process */
            .
        } else {
            .                               /* Resource NOT available   */
            .
        }
        .
        .
    }
}
```


OSMutexCreate()

```
OS_EVENT *OSMutexCreate (INT8U prio,  
                          INT8U *err);
```

File	Called From	Code Enabled By
OS_MUTEX.C	Task or startup code	OS_MUTEX_EN

OSMutexCreate() is used to create and initialize a mutex. A mutex is used to gain exclusive access to a resource.

Arguments

prio

is the Priority Inheritance Priority (PIP) that will be used when a high priority task attempts to acquire the mutex that is owned by a low priority task. In this case, the priority of the low priority task will be raised to the PIP until the resource is released.

err

is a pointer to a variable which will be used to hold an error code. The error code can be one of the following:

OS_NO_ERR

if the call was successful and the mutex was created.

OS_ERR_CREATE_ISR

if you attempted to create a mutex from an ISR.

OS_PRIO_EXIST

if a task at the specified priority inheritance priority already exist.

OS_ERR_PEVENT_NULL

if there are no more OS_EVENT structures available.

OS_PRIO_INVALID

if you specified a priority with a higher number than OS_LOWEST_PRIO .

Returned Value

A pointer to the event control block allocated to the mutex. If no event control block is available, OSMutexCreate() will return a NULL pointer.

Notes/Warnings

- Mutexes must be created before they are used.
- You **MUST** make sure that prio has a higher priority than ANY of the tasks that **WILL** be using the mutex to access the resource. For example, if 3 tasks of priority 20, 25 and 30 are going to use the mutex then, prio must be a number **LOWER** than 20. In addition, there **MUST NOT** already be a task created at the specified priority.

Example

```
OS_EVENT *DispMutex;

void main (void)
{
    INT8U  err;
    .
    .
    OSInit();                /* Initialize µC/OS-II      */
    .
    .
    DispMutex = OSMutexCreate(20, &err); /* Create Display Mutex
    */
    .
    .
    OSStart();              /* Start Multitasking  */
}

```

OSMutexDel()

```
OS_EVENT *OSMutexDel (OS_EVENT *pevent,  
                      INT8U opt,  
                      INT8U *err);
```

File	Called From	Code Enabled By
OS_MUTEX.C	Task	OS_MUTEX_EN and OS_MUTEX_DEL_EN

OSMutexDel() is used to delete a mutex. This is a dangerous function to use because multiple tasks could attempt to access a deleted mutex. You should always use this function with great care. Generally speaking, before you would delete a mutex, you would first delete all the tasks that can access the mutex.

Arguments

pevent

is a pointer to the mutex. This pointer is returned to your application when the mutex is created (see OSMutexCreate()).

opt

specifies whether you want to delete the mutex only if there are no pending tasks (OS_DEL_NO_PEND) or whether you always want to delete the mutex regardless of whether tasks are pending or not (OS_DEL_ALWAYS). In this case, all pending task will be readied.

err

is a pointer to a variable which will be used to hold an error code. The error code can be one of the following:

OS_NO_ERR

if the call was successful and the mutex was deleted.

OS_ERR_DEL_ISR

if you attempted to delete a mutex from an ISR.

`OS_ERR_INVALID_OPT`

if you didn't specify one of the two options mentioned above.

`OS_ERR_TASK_WAITING`

if one or more task were waiting on the mutex and you specified `OS_DEL_NO_PEND`.

`OS_ERR_EVENT_TYPE`

if `pevent` is not pointing to a mutex.

`OS_ERR_PEVENT_NULL`

if there are no more `OS_EVENT` structures available.

Returned Value

A NULL pointer if the mutex is deleted or `pevent` if the mutex was not deleted. In the latter case, you would need to examine the error code to determine the reason.

Notes/Warnings

You should use this call with care because other tasks may expect the presence of the mutex.

Example

```
OS_EVENT *DispMutex;

void Task (void *pdata)
{
    INT8U  err;
    pdata = pdata;
    while (1) {
        .
        .
        DispMutex = OSMutexDel(DispMutex, OS_DEL_ALWAYS, &err);
        if (DispMutex == (OS_EVENT *)0) {
            /* Mutex has been deleted */
        }
        .
        .
    }
}
```

OSMutexPend()

```
void OSMutexPend (OS_EVENT *pevent,  
                 INT16U  timeout,  
                 INT8U   *err);
```

File	Called From	Code Enabled By
OS_MUTEX.C	Task only	OS_MUTEX_EN

OSMutexPend() is used when a task desires to get exclusive access to a resource. If a task calls OSMutexPend() and the mutex is available, then OSMutexPend() will give the mutex to the caller and return to its caller. Note that nothing is actually given to the caller except for the fact that if err is set to OS_NO_ERR, the caller can assume that it owns the mutex. However, if the mutex is already owned by another task, OSMutexPend() will place the calling task in the wait list for the mutex. The task will thus wait until the task that owns the mutex releases the mutex and thus the resource or, the specified timeout expires. If the mutex is signaled before the timeout expires, µC/OS-II will resume the highest priority task that is waiting for the mutex. Note that if the mutex is owned by a lower priority task then OSMutexPend() will raise the priority of the task that owns the mutex to the Priority Inheritance Priority (PIP) as specified when you created the mutex (see OSMutexCreate()).

Arguments

pevent

is a pointer to the mutex. This pointer is returned to your application when the mutex is created (see OSMutexCreate()).

timeout

is used to allow the task to resume execution if the mutex is not signaled (i.e., posted to) within the specified number of clock ticks. A timeout value of 0 indicates that the task desires to wait forever for the mutex. The maximum timeout is 65535 clock ticks. The timeout value is not synchronized with the clock tick. The timeout count starts being decremented on the next clock tick which could potentially occur immediately.

err

is a pointer to a variable which will be used to hold an error code. `OSMutexPend()` sets `*err` to either:

`OS_NO_ERR`

if the call was successful and the mutex was available.

`OS_TIMEOUT`

if the mutex was not available within the specified timeout.

`OS_ERR_EVENT_TYPE`

if you didn't pass a pointer to a mutex to `OSMutexPend()` .

`OS_ERR_PEVENT_NULL`

if `pevent` is a `NULL` pointer.

`OS_ERR_PEND_ISR`

if you attempted to acquire the mutex from an ISR.

Returned Value

`NONE`

Notes/Warnings

- Mutexes must be created before they are used.
- You should NOT suspend the task that owns the mutex, have the mutex owner wait on any other µC/OS-II objects (i.e., semaphore, mailbox or queue) and, you should NOT delay the task that owns the mutex. In other words, your code should hurry up and release the resource as quickly as possible.

Example

```
OS_EVENT *DispMutex;
void DispTask (void *pdata)
{
    INT8U  err;
    pdata = pdata;
    for (;;) {
        .
        .
        OSMutexPend(DispMutex, 0, &err);
        .           /* The only way this task continues is if ... */
        .           /* ... the mutex is available or signaled!   */
    }
}
```


OSMutexPost()

```
INT8U OSMutexPost (OS_EVENT *pevent);
```

File	Called From	Code Enabled By
OS_MUTEX.C	Task	OS_MUTEX_EN

A mutex is signaled (i.e., released) by calling `OSMutexPost()` . You would call this function only if you acquired the mutex either by first calling `OSMutexAccept()` or `OSMutexPend()` . If the priority of the task that owns the mutex has been raised when a higher priority task attempted to acquire the mutex then, the original task priority of the task will be restored. If one or more tasks are waiting for the mutex, the mutex is given to the highest priority task waiting on the mutex. The scheduler is then called to determine if the awakened task is now the highest priority task ready to run and if so, a context switch will be done to run the readied task. If no task is waiting for the mutex, the mutex value is simply set to available (0xFF).

Arguments

`pevent`

is a pointer to the mutex. This pointer is returned to your application when the mutex is created (see `OSMutexCreate()`).

Returned Value

`OSMutexPost()` returns one of these error codes:

`OS_NO_ERR`

if the call was successful and the mutex released.

`OS_ERR_EVENT_TYPE`

if you didn't pass a pointer to a mutex to `OSMutexPost()` .

`OS_ERR_PEVENT_NULL`

if pevent is a NULL pointer.

OS_ERR_POST_ISR

if you attempted to call OSMutexPost() from an ISR.

OS_ERR_NOT_MUTEX_OWNER

if the task posting (i.e., signaling the mutex) doesn't actually owns the mutex.

Notes/Warnings

- Mutexes must be created before they are used.
- You cannot call this function from an ISR.

Example

```
OS_EVENT *DispMutex;
void TaskX (void *pdata)
{
    INT8U  err;
    pdata = pdata;
    for (;;) {
        .
        .
        err = OSMutexPost(DispMutex);
        switch (err) {
            case OS_NO_ERR: /* Mutex signaled      */
                .
                .
                break;
            case OS_ERR_EVENT_TYPE:
                .
                .
                break;
            case OS_ERR_PEVENT_NULL:
                .
                .
                break;
            case OS_ERR_POST_ISR:
                .
                .
                break;
        }
        .
        .
    }
}
```

OSMutexQuery()

```
INT8U OSMutexQuery (OS_EVENT *pevent,  
                  OS_MUTEX_DATA *pdata);
```

File	Called From	Code Enabled By
OS_MUTEX.C	Task	OS_MUTEX_EN and OS_MUTEX_QUERY_EN

OSMutexQuery() is used to obtain run-time information about a mutex. Your application must allocate an OS_MUTEX_DATA data structure that will be used to receive data from the event control block of the mutex. OSMutexQuery() allows you to determine whether any task is waiting on the mutex, how many tasks are waiting (by counting the number of 1s) in the .OSEventTbl[] field, obtain the Priority Inheritance Priority (PIP) and determine whether the mutex is available (1) or not (0). Note that the size of .OSEventTbl[] is established by the #define constant OS_EVENT_TBL_SIZE (see uCOS_II.H).

Arguments

pevent

is a pointer to the mutex. This pointer is returned to your application when the mutex is created (see OSMutexCreate()).

pdata

is a pointer to a data structure of type OS_MUTEX_DATA , which contains the following fields:

```
INT8U OSMutexPIP;          /* The PIP of the mutex          */  
INT8U OSOwnerPrio;        /* The priority of the mutex owner */  
INT8U OSValue;            /* The current mutex value, 1 means available, 0 means unavailable */  
INT8U OSEventGrp;        /* Copy of the mutex wait list    */  
INT8U OSEventTbl[OS_EVENT_TBL_SIZE];
```

Returned Value

OSMutexQuery() returns one of these error codes:

OS_NO_ERR

if the call was successful.

OS_ERR_EVENT_TYPE

if you didn't pass a pointer to a mutex to OSMutexQuery() .

OS_ERR_PEVENT_NULL

if pevent is a NULL pointer.

OS_ERR_QUERY_ISR

if you attempted to call OSMutexQuery() from an ISR.

Notes/Warnings

- Mutexes must be created before they are used.
- You cannot call this function from an ISR.

Example

In this example, we check the contents of the mutex to determine the highest priority task that is waiting for it.

```
OS_EVENT *DispMutex;
void Task (void *pdata)
{
    OS_MUTEX_DATA mutex_data;
    INT8U      err;
    INT8U      highest;    /* Highest priority task waiting on mutex */
    INT8U      x;
    INT8U      y;
    pdata = pdata;
    for (;;) {
        .
        .
        err = OSMutexQuery(DispMutex, &mutex_data);
        if (err == OS_NO_ERR) {
            if (mutex_data.OSEventGrp != 0x00) {
                y = OSUnMapTbl[mutex_data.OSEventGrp];
                x = OSUnMapTbl[mutex_data.OSEventTbl[y]];
                highest = (y << 3) + x;
                .
                .
            }
        }
    }
}
```

```
    .  
    }  
}
```

OSQAccept()

```
void *OSQAccept (OS_EVENT *pevent);
```

File	Called From	Code Enabled By
OS_Q.C	Task or ISR	OS_Q_EN

OSQAccept() checks to see if a message is available in the desired message queue. Unlike OSQPend(), OSQAccept() does not suspend the calling task if a message is not available. In other words, OSQAccept() is non-blocking. If a message is available, it is extracted from the queue and returned to your application. This call is typically used by ISRs because an ISR is not allowed to wait for messages at a queue.

Arguments

pevent

is a pointer to the message queue from which the message is received. This pointer is returned to your application when the message queue is created [see OSQCreate()].

Returned Value

A pointer to the message if one is available; NULL if the message queue does not contain a message.

Notes/Warnings

Message queues must be created before they are used.

Example

```
OS_EVENT *CommQ;

void Task (void *pdata)
{
    void *msg;
    pdata = pdata;
    for (;;) {
        msg = OSQAccept(CommQ);    /* Check queue for a message */
        if (msg != (void *)0) {
            .                        /* Message received, process */
            .
        } else {
            .                        /* Message not received, do .. */
            .                        /* .. something else */
        }
        .
        .
    }
}
```

OSQCreate()

```
OS_EVENT *OSQCreate (void **start,  
                    INT8U  size);
```

File	Called From	Code Enabled By
OS_Q.C	Task or startup code	OS_Q_EN

OSQCreate() creates a message queue. A message queue allows tasks or ISRs to send pointer-sized variables (messages) to one or more tasks. The meaning of the messages sent are application specific.

Arguments

`start`

is the base address of the message storage area. A message storage area is declared as an array of pointers to voids.

`size`

is the size (in number of entries) of the message storage area.

Returned Value

OSQCreate() returns a pointer to the event control block allocated to the queue. If no event control block is available, OSQCreate() returns a NULL pointer.

Notes/Warnings

Queues must be created before they are used.

Example

```
OS_EVENT *CommQ;

void *CommMsg[10];

void main(void)
{
    OSInit();                /* Initialize µC/OS-II */
    .
    .
    CommQ = OSQCreate(&CommMsg[0], 10); /* Create COMM Q */
    .
    .
    OSStart();               /* Start Multitasking */
}
```

OSQDel()

```
OS_EVENT *OSQDel (OS_EVENT *pevent,  
                 INT8U opt,  
                 INT8U *err);
```

File	Called From	Code Enabled By
OS_Q.C	Task	OS_Q_EN and OS_Q_DEL_EN

OSQDel() is used to delete a message queue. This is a dangerous function to use because multiple tasks could attempt to access a deleted queue. You should always use this function with great care. Generally speaking, before you would delete a queue, you would first delete all the tasks that can access the queue.

Arguments

pevent

is a pointer to the queue. This pointer is returned to your application when the queue is created (see OSQCreate()).

opt

specifies whether you want to delete the queue only if there are no pending tasks (OS_DEL_NO_PEND) or whether you always want to delete the queue regardless of whether tasks are pending or not (OS_DEL_ALWAYS). In this case, all pending task will be readied.

err

is a pointer to a variable which will be used to hold an error code. The error code can be one of the following:

OS_NO_ERR

if the call was successful and the queue was deleted.

OS_ERR_DEL_ISR

if you attempted to delete the queue from an ISR

`OS_ERR_INVALID_OPT`

if you didn't specify one of the two options mentioned above.

`OS_ERR_TASK_WAITING`

if one or more tasks were waiting for messages at the message queue.

`OS_ERR_EVENT_TYPE`

if `pevent` is not pointing to a queue.

`OS_ERR_PEVENT_NULL`

if there are no more `OS_EVENT` structures available.

Returned Value

A NULL pointer if the queue is deleted or `pevent` if the queue was not deleted. In the latter case, you would need to examine the error code to determine the reason.

Notes/Warnings

You should use this call with care because other tasks may expect the presence of the queue.

Interrupts are disabled when pended tasks are readied. This means that interrupt latency depends on the number of tasks that were waiting on the queue.

Example

```
OS_EVENT *DispQ;

void Task (void *pdata)
{
    INT8U  err;
    pdata = pdata;
    while (1) {
        .
        .
        DispQ = OSQDel(DispQ, OS_DEL_ALWAYS, &err);
        if (DispQ == (OS_EVENT *)0) {
            /* Queue has been deleted */
        }
        .
        .
    }
}
```

OSQFlush()

```
INT8U *OSQFlush (OS_EVENT *pevent);
```

File	Called From	Code Enabled By
OS_Q.C	Task or ISR	OS_Q_EN and OS_Q_FLUSH_EN

OSQFlush() empties the contents of the message queue and eliminates all the messages sent to the queue. This function takes the same amount of time to execute whether tasks are waiting on the queue (and thus no messages are present) or the queue contains one or more messages.

Arguments

pevent

is a pointer to the message queue. This pointer is returned to your application when the message queue is created [see OSQCreate()].

Returned Value

OSQFlush()

returns one of the following codes:

OS_NO_ERR

if the message queue was flushed.

OS_ERR_EVENT_TYPE

if you attempted to flush an object other than a message queue.

OS_ERR_PEVENT_NULL

if pevent is a NULL pointer.

Notes/Warnings

Queues must be created before they are used.

Example

```
OS_EVENT *CommQ;

void main(void)
{
    INT8U err;
    OSInit();                /* Initialize µC/OS-II */
    .
    .
    err = OSQFlush(CommQ);
    .
    .
    OSStart();              /* Start Multitasking */
}
```

OSQPend()

```
void *OSQPend (OS_EVENT *pevent,  
              INT16U  timeout,  
              INT8U   *err);
```

File	Called From	Code Enabled By
OS_Q.C	Task only	OS_Q_EN

OSQPend() is used when a task wants to receive messages from a queue. The messages are sent to the task either by an ISR or by another task. The messages received are pointer-sized variables, and their use is application specific. If at least one message is present at the queue when OSQPend() is called, the message is retrieved and returned to the caller. If no message is present at the queue, OSQPend() suspends the current task until either a message is received or a user-specified timeout expires. If a message is sent to the queue and multiple tasks are waiting for such a message, then µC/OS-II resumes the highest priority task that is waiting. A pending task that has been suspended with OSTaskSuspend() can receive a message. However, the task remains suspended until it is resumed by calling OSTaskResume() .

Arguments

pevent

is a pointer to the queue from which the messages are received. This pointer is returned to your application when the queue is created [see OSQCreate()].

timeout

allows the task to resume execution if a message is not received from the mailbox within the specified number of clock ticks. A timeout value of 0 indicates that the task wants to wait forever for the message. The maximum timeout is 65,535 clock ticks. The timeout value is not synchronized with the clock tick. The timeout count starts decrementing on the next clock tick, which could potentially occur immediately.

err

is a pointer to a variable used to hold an error code. OSQPend() sets *err to one of the

following:

OS_NO_ERR

if a message was received.

OS_TIMEOUT

if a message was not received within the specified timeout.

OS_ERR_EVENT_TYPE

pevent is not pointing to a message queue.

OS_ERR_PEVENT_NULL

if pevent is a NULL pointer..

OS_ERR_PEND_ISR

if you called this function from an ISR and μC/OS-II would have to suspend it. In general, you should not call OSQPend() from an ISR. μC/OS-II checks for this situation anyway.

Returned Value

OSQPend() returns a message sent by either a task or an ISR, and *err is set to OS_NO_ERR . If a timeout occurs, OSQPend() returns a NULL pointer and sets *err to OS_TIMEOUT .

Notes/Warnings

- Queues must be created before they are used.
- You should not call OSQPend() from an ISR.

Example

```
OS_EVENT *CommQ;
void CommTask(void *data)
{
    INT8U err;
    void *msg;
    pdata = pdata;
    for (;;) {
        .
        .
        msg = OSQPend(CommQ, 100, &err);
        if (err == OS_NO_ERR) {
            .
            .          /* Message received within 100 ticks!          */
            .
        } else {
            .
            .          /* Message not received, must have timed out */
            .
        }
        .
        .
    }
}
```

OSQPost()

```
INT8U OSQPost (OS_EVENT *pevent,  
              void *msg);
```

File	Called From	Code Enabled By
OS_Q.C	Task or ISR	OS_Q_EN and OS_Q_POST_EN

OSQPost() sends a message to a task through a queue. A message is a pointer-sized variable, and its use is application specific. If the message queue is full, an error code is returned to the caller. In this case, OSQPost() immediately returns to its caller, and the message is not placed in the queue. If any task is waiting for a message at the queue, the highest priority task receives the message. If the task waiting for the message has a higher priority than the task sending the message, the higher priority task resumes and the task sending the message is suspended; that is, a context switch occurs. Message queues are first-in-first-out (FIFO), which means that the first message sent is the first message received.

Arguments

pevent

is a pointer to the queue into which the message is deposited. This pointer is returned to your application when the queue is created [see OSQCreate()].

msg

is the actual message sent to the task. msg is a pointer-sized variable and is application specific. You must never post a NULL pointer.

Returned Value

OSQPost() returns one of two error codes:

OS_NO_ERR

if the message was deposited in the queue.

OS_Q_FULL

if the queue was already full.

OS_ERR_EVENT_TYPE

pevent is not pointing to a message queue.

OS_ERR_PEVENT_NULL

if pevent is a NULL pointer.

OS_ERR_POST_NULL_PTR

if you are posting a NULL pointer. By convention, a NULL pointer is not supposed to point to anything valid.

Notes/Warnings

- Queues must be created before they are used.
- You must never post a NULL pointer.

Example

```
OS_EVENT *CommQ;

INT8U   CommRxBuf[100];

void CommTaskRx(void *pdata)
{
    INT8U  err;
    pdata = pdata;
    for (;;) {
        .
        .
        err = OSQPost(CommQ, (void *)&CommRxBuf[0]);
        switch (err) {
            case OS_NO_ERR:
                /* Message was deposited into queue */
                break;
            Case OS_Q_FULL:
                /* Queue is full */
                Break;
        }
        .
        .
    }
}
```

OSQPostFront()

```
INT8U OSQPostFront (OS_EVENT *pevent,  
                   void *msg);
```

File	Called From	Code Enabled By
OS_Q.C	Task or ISR	OS_Q_EN and OS_Q_POST_FRONT_EN

OSQPostFront() sends a message to a task through a queue. OSQPostFront() behaves very much like OSQPost(), except that the message is inserted at the front of the queue. This means that OSQPostFront() makes the message queue behave like a last-in-first-out (LIFO) queue instead of a first-in-first-out (FIFO) queue. The message is a pointer-sized variable, and its use is application specific. If the message queue is full, an error code is returned to the caller. OSQPostFront() immediately returns to its caller and the message is not placed in the queue. If any tasks are waiting for a message at the queue, the highest priority task receives the message. If the task waiting for the message has a higher priority than the task sending the message, the higher priority task is resumed and the task sending the message is suspended; that is, a context switch occurs.

Arguments

pevent

is a pointer to the queue into which the message is deposited. This pointer is returned to your application when the queue is created [see OSQCreate()].

msg

is the actual message sent to the task. msg is a pointer-sized variable and is application specific. You must never post a NULL pointer.

Returned Value

OSQPostFront() returns one of two error codes:

OS_NO_ERR

if the message was deposited in the queue.

OS_Q_FULL

if the queue was already full.

OS_ERR_EVENT_TYPE

pevent is not pointing to a message queue.

OS_ERR_PEVENT_NULL

if pevent is a NULL pointer.

OS_ERR_POST_NULL_PTR

if you are posting a NULL pointer. By convention, a NULL pointer is not supposed to point to anything valid.

Notes/Warnings

Queues must be created before they are used.

You must never post a NULL pointer.

Example

```
OS_EVENT *CommQ;

INT8U   CommRxBuf[100];

void CommTaskRx(void *pdata)
{
    INT8U  err;
    pdata = pdata;
    for (;;) {
        .
        .
        err = OSQPostFront(CommQ, (void *)&CommRxBuf[0]);
        switch (err) {
            case OS_NO_ERR:
                /* Message was deposited into queue */
                break;
            Case OS_Q_FULL:
                /* Queue is full */
                Break;
        }
        .
        .
    }
}
```

OSQPostOpt()

```
INT8U OSQPostOpt (OS_EVENT *pevent,  
                 void *msg,  
                 INT8U opt);
```

File	Called From	Code Enabled By
OS_Q.C	Task or ISR	OS_Q_EN and OS_Q_POST_OPT_EN

OSQPostOpt() is used to send a message to a task through a queue. A message is a pointer-sized variable and its use is application specific. If the message queue is full, an error code is returned indicating that the queue is full. OSQPostOpt() then immediately returns to its caller, and the message is not placed in the queue. If any task is waiting for a message at the queue, OSQPostOpt() allows you to either post the message to the highest priority task waiting at the queue (opt set to OS_POST_OPT_NONE) or, to all tasks waiting at the queue (opt is set to OS_POST_OPT_BROADCAST). In either case, scheduling will occur, and if any of the task that receives the message has a higher priority than the task that is posting the message then, the higher priority task will be resumed and the sending task will be suspended. In other words, a context switch will occur.

OSQPostOpt() emulates both OSQPost() and OSQPostFront() , and also allows you to post a message to MULTIPLE tasks. In other words, it allows the message posted to be broadcast to ALL tasks waiting on the queue. OSQPostOpt() can actually replace OSQPost() and OSQPostFront() because you specify the mode of operation via an option argument, opt. Doing this allows you to reduce the amount of code space needed by µC/OS-II.

Arguments

pevent

is a pointer to the queue. This pointer is returned to your application when the queue is created (see OSQCreate()).

msg

is the actual message sent to the task(s) msg is a pointer-sized variable and what msg points to is application specific. You must never post a NULL pointer.

opt

determines the type of POST performed:

OS_POST_OPT_NONE

POST to a single waiting task (Identical to OSQPost())

OS_POST_OPT_BROADCAST

POST to ALL tasks that are waiting on the queue

OS_POST_OPT_FRONT

POST as LIFO (Simulates OSQPostFront())

Below is a list of ALL the possible combination of these flags:

OS_POST_OPT_NONE

is identical to OSQPost()

OS_POST_OPT_FRONT

is identical to OSQPostFront()

OS_POST_OPT_BROADCAST

is identical to OSQPost() but will broadcast msg to ALL waiting tasks

OS_POST_OPT_FRONT

is identical to OSQPostFront() except that will broadcast msg to ALL waiting tasks.

OS_POST_OPT_BROADCAST

is identical to OSQPostFront() except that will broadcast msg to ALL waiting tasks.

Returned Value

err

is a pointer to a variable which will be used to hold an error code. The error code can be one of the following:

OS_NO_ERR

if the call was successful and the message was sent.

OS_Q_FULL

if the queue can no longer accept messages because it is full.

OS_ERR_EVENT_TYPE

if pevent is not pointing to a mailbox.

OS_ERR_PEVENT_NULL

if pevent is a NULL pointer.

OS_ERR_POST_NULL_PTR

if you are attempting to post a NULL pointer.

Notes/Warnings

- Queues must be created before they are used.
- You must NEVER post a NULL pointer to a queue.
- If you need to use this function and want to reduce code space, you may disable code generation of `OSQPost()` (set `OS_Q_POST_EN` to 0 in `OS_CFG.H`) and `OSQPostFront()` (set `OS_Q_POST_FRONT_EN` to 0 in `OS_CFG.H`) since `OSQPostOpt()` can emulate these two functions.
- The execution time of `OSQPostOpt()` depends on the number of tasks waiting on the queue if you set `opt` to `OS_POST_OPT_BROADCAST`.

Example

```
OS_EVENT *CommQ;
INT8U    CommRxBuf[100];
void CommRxTask (void *pdata)
{
    INT8U  err;
    pdata = pdata;
    for (;;) {
        .
        .
        err = OSQPostOpt(CommQ, (void *)&CommRxBuf[0], OS_POST_OPT_BROADCAST);
        .
        .
    }
}
```

OSQQuery()

```
INT8U OSQQuery (OS_EVENT *pevent,  
                OS_Q_DATA *pdata);
```

File	Called From	Code Enabled By
OS_Q.C	Task or ISR	OS_Q_EN and OS_QUERY_EN

OSQQuery() obtains information about a message queue. Your application must allocate an OS_Q_DATA data structure used to receive data from the event control block of the message queue. OSQQuery() allows you to determine whether any tasks are waiting for messages at the queue, how many tasks are waiting (by counting the number of 1s in the .OSEventTbl[] field), how many messages are in the queue, and what the message queue size is. OSQQuery() also obtains the next message that would be returned if the queue is not empty. Note that the size of .OSEventTbl[] is established by the #define constant OS_EVENT_TBL_SIZE (see uCOS_II.H).

Arguments

pevent

is a pointer to the message queue. This pointer is returned to your application when the queue is created [see OSQCreate()].

pdata

is a pointer to a data structure of type OS_Q_DATA , which contains the following fields:

```
void *OSMsg;           /* Next message if one available      */  
INT16U OSNMsgs;       /* Number of messages in the queue     */  
INT16U OSQSize;       /* Size of the message queue           */  
INT8U OSEventTbl[OS_EVENT_TBL_SIZE]; /* Message queue wait list           */  
INT8U OSEventGrp;
```

Returned Value

OSQQuery() returns one of two error codes:

OS_NO_ERR

if the call was successful.

OS_ERR_EVENT_TYPE

if you didn't pass a pointer to a message queue.

OS_ERR_PEVENT_NULL

if pevent is a NULL pointer.

Notes/Warnings

Message queues must be created before they are used.

Example

```
OS_EVENT *CommQ;

void Task (void *pdata)
{
    OS_Q_DATA qdata;
    INT8U     err;
    pdata = pdata;
    for (;;) {
        .
        .
        err = OSQQuery(CommQ, &qdata);
        if (err == OS_NO_ERR) {
            . /* 'qdata' can be examined! */
        }
        .
        .
    }
}
```

OSSchedLock()

```
void OSSchedLock (void);
```

File	Called From	Code Enabled By
OS_CORE.C	Task or ISR	OS_SCHED_LOCK_EN

OSSchedLock() prevents task rescheduling until its counterpart, OSSchedUnlock() , is called. The task that calls OSSchedLock() keeps control of the CPU even though other higher priority tasks are ready to run. However, interrupts are still recognized and serviced (assuming interrupts are enabled). OSSchedLock() and OSSchedUnlock() must be used in pairs. µC/OS-II allows OSSchedLock() to be nested up to 255 levels deep. Scheduling is enabled when an equal number of OSSchedUnlock() calls have been made.

Arguments

None

Returned Value

None

Notes/Warnings

After calling OSSchedLock() , your application must not make system calls that suspend execution of the current task; that is, your application cannot call OSTimeDly() , OSTimeDlyHMSM() , OSFlagPend() , OSSemPend() , OSMutexPend() , OSMBboxPend() , or OSQPend(). Since the scheduler is locked out, no other task is allowed to run and your system will lock up.

Example

```
void TaskX(void *pdata)
{
    pdata = pdata;
    for (;;) {
        .
        OSSchedLock();      /* Prevent other tasks to run      */
        .
        .                  /* Code protected from context switch */
        .
        OSSchedUnlock();    /* Enable other tasks to run      */
        .
    }
}
```

OSSchedUnlock()

```
void OSSchedUnlock (void);
```

File	Called From	Code Enabled By
OS_CORE.C	Task or ISR	OS_SCHED_LOCK_EN

OSSchedUnlock() re-enables task scheduling whenever it is paired with OSSchedLock() .

Arguments

None

Returned Value

None

Notes/Warnings

After calling OSSchedLock() , your application must not make system calls that suspend execution of the current task; that is, your application cannot call OSTimeDly() , OSTimeDlyHMSM() , OSFlagPend() , OSSemPend() , OSMutexPend() , OSMBboxPend() , or OSQPend() . Since the scheduler is locked out, no other task is allowed to run and your system will lock up.

Example

```
void TaskX(void *pdata)
{
    pdata = pdata;
    for (;;) {
        .
        OSSchedLock(); /* Prevent other tasks to run */
        .
        /* Code protected from context switch */
        .
        OSSchedUnlock(); /* Enable other tasks to run */
        .
    }
}
```


OSSemAccept()

```
INT16U OS_SemAccept (OS_EVENT *pevent);
```

File	Called From	Code Enabled By
OS_SEM.C	Task or ISR	OS_SEM_EN and OS_SEM_ACCEPT_EN

OS_SemAccept() checks to see if a resource is available or an event has occurred. Unlike OS_SemPend() , OS_SemAccept() does not suspend the calling task if the resource is not available. In other words, OS_SemAccept() is non-blocking. Use OS_SemAccept() from an ISR to obtain the semaphore.

Arguments

pevent

is a pointer to the semaphore that guards the resource. This pointer is returned to your application when the semaphore is created [see OS_SemCreate()].

Returned Value

When OS_SemAccept() is called and the semaphore value is greater than 0, the semaphore value is decremented and the value of the semaphore before the decrement is returned to your application. If the semaphore value is 0 when OS_SemAccept() is called, the resource is not available and 0 is returned to your application.

Notes/Warnings

Semaphores must be created before they are used.

Example

```
OS_EVENT *DispSem;
void Task (void *pdata)
{
    INT16U value;
    pdata = pdata;
    for (;;) {
        value = OS_SemAccept(DispSem);    /* Check resource availability */
        if (value > 0) {                  /* Resource available, process */
            .
            .
        }
        .
        .
    }
}
```

OSSemCreate()

```
OS_EVENT *OSSemCreate (INT16U value);
```

File	Called From	Code Enabled By
OS_SEM.C	Task or startup code	OS_SEM_EN

OSSemCreate() creates and initializes a semaphore. A semaphore:

- allows a task to synchronize with either an ISR or a task (you would initialize the semaphore to 0),
- gains exclusive access to a resource (you would initialize the semaphore to a value greater than 0), and
- signals the occurrence of an event (you would initialize the semaphore to 0).

Arguments

value

is the initial value of the semaphore and can be between 0 and 65535. A value of 0 indicates that a resource is not available or, an event has not occurred.

Returned Value

OSSemCreate() returns a pointer to the event control block allocated to the semaphore. If no event control block is available, OSMemCreate() returns a NULL pointer.

Notes/Warnings

Semaphores must be created before they are used.

Example

```
OS_EVENT *DispSem;
void main(void)
{
    .
    .
    OSInit();           /* Initialize µC/OS-II      */
    .
    .
    DispSem = OSemCreate(1); /* Create Display Semaphore */
    .
    .
    OSStart();         /* Start Multitasking      */
}
}
```

OSSemDel()

```
OS_EVENT *OSSemDel (OS_EVENT *pevent,  
                   INT8U   opt,  
                   INT8U   *err);
```

File	Called From	Code Enabled By
OS_SEM.C	Task	OS_SEM_EN and OS_SEM_DEL_EN

`OSSemDel()` is used to delete a semaphore. This is a dangerous function to use because multiple tasks could attempt to access a deleted semaphore. You should always use this function with great care. Generally speaking, before you would delete a semaphore, you would first delete all the tasks that can access the semaphore.

Arguments

`pevent`

is a pointer to the semaphore. This pointer is returned to your application when the semaphore is created (see `OSSemCreate()`).

`opt`

specifies whether you want to delete the semaphore only if there are no pending tasks (`OS_DEL_NO_PEND`) or whether you always want to delete the semaphore regardless of whether tasks are pending or not (`OS_DEL_ALWAYS`). In this case, all pending task will be readied.

`err`

is a pointer to a variable which will be used to hold an error code. The error code can be one of the following:

`OS_NO_ERR`

if the call was successful and the semaphore was deleted.

OS_ERR_DEL_ISR

if you attempted to delete the semaphore from an ISR

OS_ERR_INVALID_OPT

if you didn't specify one of the two options mentioned above.

OS_ERR_TASK_WAITING

if one or more tasks were waiting on the semaphore

OS_ERR_EVENT_TYPE

if pevent is not pointing to a semaphore.

OS_ERR_PEVENT_NULL

if there are no more OS_EVENT structures available.

Returned Value

A NULL pointer if the semaphore is deleted, or pevent if the semaphore was not deleted. In the latter case, you would need to examine the error code to determine the reason.

Notes/Warnings

You should use this call with care because other tasks may expect the presence of the semaphore.

Interrupts are disabled when pended tasks are readied. This means that interrupt latency depends on the number of tasks that were waiting on the semaphore.

Example

```
OS_EVENT *DispSem;
void Task (void *pdata)
{
    INT8U  err;
    pdata = pdata;
    while (1) {
        .
        .
        DispSem = OSSemDel(DispSem, OS_DEL_ALWAYS, &err);
        if (DispSem == (OS_EVENT *)0) {
            /* Semaphore has been deleted */
        }
        .
        .
    }
}
```

OSSemPend()

```
void OSSemPend (OS_EVENT *pevent,  
               INT16U  timeout,  
               INT8U   *err);
```

File	Called From	Code Enabled By
OS_SEM.C	Task only	OS_SEM_EN

`OSSemPend()` is used when a task wants exclusive access to a resource, needs to synchronize its activities with an ISR or a task, or is waiting until an event occurs. If a task calls `OSSemPend()` and the value of the semaphore is greater than 0, `OSSemPend()` decrements the semaphore and returns to its caller. However, if the value of the semaphore is 0, `OSSemPend()` places the calling task in the waiting list for the semaphore. The task waits until a task or an ISR signals the semaphore or the specified timeout expires. If the semaphore is signaled before the timeout expires, µC/OS-II resumes the highest priority task waiting for the semaphore. A pended task that has been suspended with `OSTaskSuspend()` can obtain the semaphore. However, the task remains suspended until it is resumed by calling `OSTaskResume()` .

Arguments

`pevent`

is a pointer to the semaphore. This pointer is returned to your application when the semaphore is created [see `OSSemCreate()`].

`timeout`

allows the task to resume execution if a message is not received from the mailbox within the specified number of clock ticks. A timeout value of 0 indicates that the task will wait forever for the message. The maximum timeout is 65,535 clock ticks. The timeout value is not synchronized with the clock tick. The timeout count begins decrementing on the next clock tick, which could potentially occur immediately.

`err`

is a pointer to a variable used to hold an error code. `OSSemPend()` sets `*err` to one of the

following:

OS_NO_ERR

if the semaphore was available.

OS_TIMEOUT

if the semaphore was not signaled within the specified timeout.

OS_ERR_EVENT_TYPE

pevent is not pointing to a semaphore.

OS_ERR_PEND_ISR

if you called this function from an ISR and μC/OS-II would have to suspend it. In general, you should not call `OSMboxPend()` from an ISR. μC/OS-II checks for this situation.

OS_ERR_PEVENT_NULL

if pevent is a NULL pointer.

Returned Value

None

Notes/Warnings

Semaphores must be created before they are used.

Example

```
OS_EVENT *DispSem;

void DispTask(void *pdata)
{
    INT8U  err;
    pdata = pdata;
    for (;;) {
        .
        .
        OS_SemPend(DispSem, 0, &err);
        .          /* The only way this task continues is if ... */
        .          /* ... the semaphore is signaled!           */
    }
}
```

OSSemPost()

```
INT8U OSSemPost(OS_EVENT *pevent);
```

File	Called From	Code Enabled By
OS_SEM.C	Task or ISR	OS_SEM_EN

A semaphore is signaled by calling `OSSemPost()`. If the semaphore value is 0 or more, it is incremented and `OSSemPost()` returns to its caller. If tasks are waiting for the semaphore to be signaled, `OSSemPost()` removes the highest priority task pending for the semaphore from the waiting list and makes this task ready to run. The scheduler is then called to determine if the awakened task is now the highest priority task ready to run.

Arguments

`pevent`

is a pointer to the semaphore. This pointer is returned to your application when the semaphore is created [see `OSSemCreate()`].

Returned Value

`OSSemPost()` returns one of two error codes:

`OS_NO_ERR`

if the semaphore was signaled successfully.

`OS_SEM_OVF`

if the semaphore count overflowed.

`OS_ERR_EVENT_TYPE`

`pevent` is not pointing to a semaphore.

OS_ERR_PEVENT_NULL

if pevent is a NULL pointer.

Notes/Warnings

Semaphores must be created before they are used.

Example

```
OS_EVENT *DispSem;

void TaskX(void *pdata)
{
    INT8U err;
    pdata = pdata;
    for (;;) {
        .
        .
        err = OS_SemPost(DispSem);
        switch (err) {
            case OS_NO_ERR:
                /* Semaphore signaled */
                break;
            case OS_SEM_OVF:
                /* Semaphore has overflowed */
                break;
            .
            .
        }
        .
        .
    }
}
```

OSSemQuery()

```
INT8U OSSemQuery (OS_EVENT *pevent,  
                 OS_SEM_DATA *pdata);
```

File	Called From	Code Enabled By
OS_SEM.C	Task or ISR	OS_SEM_EN and OS_SEM_QUERY_EN

OSSemQuery() obtains information about a semaphore. Your application must allocate an OS_SEM_DATA data structure used to receive data from the event control block of the semaphore. OSSemQuery() allows you to determine whether any tasks are waiting on the semaphore and how many tasks are waiting (by counting the number of 1s in the .OSEventTbl[] field) and obtains the semaphore count. Note that the size of .OSEventTbl[] is established by the #define constant OS_EVENT_TBL_SIZE (see uCOS_II.H).

Arguments

pevent

is a pointer to the semaphore. This pointer is returned to your application when the semaphore is created [see OSSemCreate()].

pdata

is a pointer to a data structure of type OS_SEM_DATA , which contains the following fields:

```
INT16U OSCnt; /* Current semaphore count */  
INT8U OSEventTbl[OS_EVENT_TBL_SIZE]; /* Semaphore wait list */  
INT8U OSEventGrp;
```

Returned Value

OSSemQuery() returns one of two error codes:

OS_NO_ERR

if the call was successful.

OS_ERR_EVENT_TYPE

if you didn't pass a pointer to a semaphore.

OS_ERR_PEVENT_NULL

if pevent is is a NULL pointer.

Notes/Warnings

Semaphores must be created before they are used.

Example

In this example, the contents of the semaphore is checked to determine the highest priority task waiting at the time the function call was made.

```
OS_EVENT *DispSem;

void Task (void *pdata)
{
    OS_SEM_DATA sem_data;
    INT8U      err;
    INT8U      highest; /* Highest priority task waiting on sem. */
    INT8U      x;
    INT8U      y;
    pdata = pdata;
    for (;;) {
        .
        .
        err = OSSemQuery(DispSem, &sem_data);
        if (err == OS_NO_ERR) {
            if (sem_data.OSEventGrp != 0x00) {
                y = OSUnMapTbl[sem_data.OSEventGrp];
                x = OSUnMapTbl[sem_data.OSEventTbl[y]];
                highest = (y << 3) + x;
                .
                .
            }
        }
        .
        .
    }
}
```

OSStart()

```
void OSStart (void);
```

File	Called From	Code Enabled By
OS_CORE.C	Startup code only	N/A

OSStart() starts multitasking under µC/OS-II. This function is typically called from your startup code but after you called OSInit() .

Arguments

None

Returned Value

None

Notes/Warnings

OSInit() must be called prior to calling OSStart() . OSStart() should only be called once by your application code. If you do call OSStart() more than once, it will not do anything on the second and subsequent calls.

Example

```
void main(void)
{
    .
    .
    OSInit();
    .
    OSStart();
    /* Any code hers should NEVER be executed! */
}
```

OSStatInit()

```
void OSStatInit (void);
```

File	Called From	Code Enabled By
OS_CORE.C	Startup code only	OS_TASK_STAT_EN and OS_TASK_CREATE_EXT_EN

OSStatInit() determines the maximum value that a 32-bit counter can reach when no other task is executing. This function must be called when only one task is created in your application and when multitasking has started; that is, this function must be called from the first, and only, task created.

Arguments

None

Returned Value

None

Notes/Warnings

None

Example

```
void FirstAndOnlyTask (void *pdata)
{
    .
    .
    OSStatInit();          /* Compute CPU capacity with no task running */
    .
    OSTaskCreate(...);    /* Create the other tasks */
    OSTaskCreate(...);
    .
    for (;;) {
        .
        .
    }
}
```


OSTaskChangePrio()

```
INT8U OSTaskChangePrio (INT8U oldprio,  
                        INT8U newprio);
```

File	Called From	Code Enabled By
OS_TASK.C	Task only	

OSTaskChangePrio() changes the priority of a task.

Arguments

oldprio

is the priority number of the task to change.

newprio

is the new task's priority.

Returned Value

OSTaskChangePrio() returns one of the following error codes:

OS_NO_ERR

if the task's priority was changed.

OS_PRIO_INVALID

if either the old priority or the new priority is equal to or exceeds OS_LOWEST_Prio .

OS_PRIO_EXIST

if newprio already exists.

OS_PRIO_ERR

if no task with the specified “old” priority exists (i.e., the task specified by oldprio does not exist).

Notes/Warnings

The desired priority must not already have been assigned; otherwise, an error code is returned. Also, OSTaskChangePrio() verifies that the task to change exists.

Example

```
void TaskX(void *data)
{
    INT8U err;
    for (;;) {
        .
        .
        err = OSTaskChangePrio(10, 15);
        .
        .
    }
}
```

OSTaskCreate()

```
INT8U OSTaskCreate (void (*task)(void *pd),
                  void *pdata,
                  OS_STK *ptos,
                  INT8U prio);
```

File	Called From	Code Enabled By
OS_TASK.C	Task or startup code	OS_TASK_CREATE_EN

OSTaskCreate() creates a task so it can be managed by µC/OS-II. Tasks can be created either prior to the start of multitasking or by a running task. A task cannot be created by an ISR. A task must be written as an infinite loop, as shown below, and must not return. OSTaskCreate() is used for backward compatibility with µC/OS and when the added features of OSTaskCreateExt() are not needed.

Depending on how the stack frame was built, your task will have interrupts either enabled or disabled. You need to check with the processor-specific code for details.

Arguments

task

is a pointer to the task's code.

pdata

is a pointer to an optional data area used to pass parameters to the task when it is created. Where the task is concerned, it thinks it was invoked and passed the argument pdata. pdata can be used to pass arguments to the task created. For example, you can create a generic task that will handle an asynchronous serial port. pdata can be used to pass this task information about the serial port it has to manage: the port address, the baud rate, the number of bits, the parity and more.

```
void Task (void *pdata)
{
    .                               /* Do something with 'pdata'          */
    for (;;) {                       /* Task body, always an infinite loop. */
        .
        .
    }
```

```
/* Must call one of the following services: */
/* OSMBboxPend() */
/* OSFlagPend() */
/* OSMutexPend() */
/* OSQPend() */
/* OSSemPend() */
/* OSTimeDly() */
/* OSTimeDlyHMSM() */
/* OSTaskSuspend() (Suspend self) */
/* OSTaskDel() (Delete self) */
.
.
}
}
```

ptos

is a pointer to the task's top-of-stack. The stack is used to store local variables, function parameters, return addresses, and CPU registers during an interrupt. The size of the stack is determined by the task's requirements and the anticipated interrupt nesting.

Determining the size of the stack involves knowing how many bytes are required for storage of local variables for the task itself and all nested functions, as well as requirements for interrupts (accounting for nesting). If the configuration constant `OS_STK_GROWTH` is set to 1, the stack is assumed to grow downward (i.e., from high to low memory). `ptos` thus needs to point to the highest valid memory location on the stack. If `OS_STK_GROWTH` is set to 0, the stack is assumed to grow in the opposite direction (i.e., from low to high memory).

prio

is the task priority. A unique priority number must be assigned to each task and the lower the number, the higher the priority (i.e., the task importance).

Returned Value

`OSTaskCreate()` returns one of the following error codes:

`OS_NO_ERR`

if the function was successful.

`OS_PRIO_EXIST`

if the requested priority already exists.

OS_PRIO_INVALID

if prio is higher than OS_LOWEST_PRIO .

OS_NO_MORE_TCB

if µC/OS-II doesn't have any more OS_TCBs to assign.

Notes/Warnings

The stack for the task must be declared with the OS_STK type.

A task must always invoke one of the services provided by µC/OS-II to either wait for time to expire, suspend the task, or wait for an event to occur (wait on a mailbox, queue, or semaphore). This allows other tasks to gain control of the CPU.

You should not use task priorities 0, 1, 2, 3, OS_LOWEST_PRIO-3 , OS_LOWEST_PRIO-2 , OS_LOWEST_PRIO-1 , and OS_LOWEST_PRIO because they are reserved for use by µC/OS-II. This leaves you with up to 56 application tasks.

Example 1

This example shows that the argument that Task1() receives is not used, so the pointer pdata is set to NULL. Note that I assume the stack grows from high to low memory because I pass the address of the highest valid memory location of the stack Task1Stk[]. If the stack grows in the opposite direction for the processor you are using, pass &Task1Stk[0] as the task's top-of-stack.

Assigning pdata to itself is used to prevent compilers from issuing a warning about the fact that pdata not being used. In other words, if I had not added this line, some compilers would have complained about 'WARNING - variable pdata not used'

```
OS_STK Task1Stk[1024];

void main(void)
{
    INT8U err;
    .
    OSInit();           /* Initialize µC/OS-II           */
    .
    OSTaskCreate(Task1,
                 (void *)0,
                 &Task1Stk[1023],
```

```
        25);
    .
    OSStart();          /* Start Multitasking          */
}

void Task1(void *pdata)
{
    pdata = pdata;     /* Prevent compiler warning */
    for (;;) {        /* Task code                */
        .
    }
}
```

Example 2

You can create a generic task that can be instantiated more than once. For example, a task that handles a serial port could be passed the address of a data structure that characterizes the specific port (i.e., port address, baud rate). Note that each task has its own stack space and its own (different) priority. In this example, I arbitrarily decided that COM1 is the most important port of the two.

```
OS_STK   *Comm1Stk[1024];
COMM_DATA Comm1Data;          /* Data structure containing COMM port */
                                   /* Specific data for channel 1        */

OS_STK   *Comm2Stk[1024];
COMM_DATA Comm2Data;          /* Data structure containing COMM port */
                                   /* Specific data for channel 2        */

void main(void)
{
    INT8U err;
    .
    OSInit();                  /* Initialize µC/OS-II              */
    .
    .                          /* Create task to manage COM1        */
    OSTaskCreate(CommTask,
                 (void *)&Comm1Data,
                 &Comm1Stk[1023],
                 25);
    .                          /* Create task to manage COM2        */
    OSTaskCreate(CommTask,
                 (void *)&Comm2Data,
                 &Comm2Stk[1023],
                 26);
    .
    OSStart();                /* Start Multitasking              */
}

void CommTask(void *pdata)     /* Generic communication task      */
{
    for (;;) {                /* Task code                        */
        .
    }
}
```

OSTaskCreateExt()

```
INT8U OSTaskCreateExt (void (*task)(void *pd),
                      void *pdata,
                      OS_STK *ptos,
                      INT8U prio,
                      INT16U id,
                      OS_STK *pbos,
                      INT32U stk_size,
                      void *pext,
                      INT16U opt);
```

File	Called From	Code Enabled By
OS_TASK.C	Task or startup code	

OSTaskCreateExt() creates a task to be managed by µC/OS-II. This function serves the same purpose as OSTaskCreate() , except that it allows you to specify additional information about your task to µC/OS-II. Tasks can be created either prior to the start of multitasking or by a running task. A task cannot be created by an ISR. A task must be written as an infinite loop, as shown below, and must not return. Depending on how the stack frame was built, your task will have interrupts either enabled or disabled. You need to check with the processor-specific code for details. Note that the first four arguments are exactly the same as the ones for OSTaskCreate() . This was done to simplify the migration to this new and more powerful function. It is highly recommended that you use OSTaskCreateExt() instead of the older OSTaskCreate() function because it's much more flexible.

Arguments

task

is a pointer to the task's code.

pdata

is a pointer to an optional data area, which is used to pass parameters to the task when it is created. Where the task is concerned, it thinks it was invoked and passed the argument pdata. pdata can be used to pass arguments to the task created. For example, you can create a generic task that will handle an asynchronous serial port. pdata can be used to pass this task information about the serial port it has to manage: the port address, the baud rate, the number of bits, the parity and more.

to the same value as the task's priority.

`pbos`

is a pointer to the task's bottom-of-stack. If the configuration constant `OS_STK_GROWTH` is set to 1, the stack is assumed to grow downward (i.e., from high to low memory); thus, `pbos` must point to the lowest valid stack location. If `OS_STK_GROWTH` is set to 0, the stack is assumed to grow in the opposite direction (i.e., from low to high memory); thus, `pbos` must point to the highest valid stack location. `pbos` is used by the stack-checking function `OSTaskStkChk()`.

`stk_size`

specifies the size of the task's stack in number of elements. If `OS_STK` is set to `INT8U`, then `stk_size` corresponds to the number of bytes available on the stack. If `OS_STK` is set to `INT16U`, then `stk_size` contains the number of 16-bit entries available on the stack. Finally, if `OS_STK` is set to `INT32U`, then `stk_size` contains the number of 32-bit entries available on the stack.

`pext`

is a pointer to a user-supplied memory location (typically a data structure) used as a TCB extension. For example, this user memory can hold the contents of floating-point registers during a context switch, the time each task takes to execute, the number of times the task is switched-in, and so on.

`opt`

contains task-specific options. The lower 8 bits are reserved by μC/OS-II, but you can use the upper 8 bits for application-specific options. Each option consists of one or more bits. The option is selected when the bit(s) is(are) set. The current version of μC/OS-II supports the following options:

`OS_TASK_OPT_STK_CHK`

specifies whether stack checking is allowed for the task.

`OS_TASK_OPT_STK_CLR`

specifies whether the stack needs to be cleared.

`OS_TASK_OPT_SAVE_FP`

specifies whether floating-point registers will be saved. This option is only valid if your processor has floating-point hardware and the processor-specific code saves the floating-point registers.

Refer to `uCOS_II.H` for other options.

Returned Value

`OSTaskCreateExt()` returns one of the following error codes:

`OS_NO_ERR`

if the function was successful.

`OS_PRIO_EXIST`

if the requested priority already exist.

`OS_PRIO_INVALID`

if `prio` is higher than `OS_LOWEST_PRIO` .

`OS_NO_MORE_TCB`

if μC/OS-II doesn't have any more `OS_TCBs` to assign.

Notes/Warnings

The stack must be declared with the `OS_STK` type.

A task must always invoke one of the services provided by μC/OS-II either to wait for time to expire, suspend the task or, wait an event to occur (wait on a mailbox, queue, or semaphore). This allows other tasks to gain control of the CPU.

You should not use task priorities 0, 1, 2, 3, OS_LOWEST_PRIO -3, OS_LOWEST_PRIO-2 , OS_LOWEST_PRIO-1 , and OS_LOWEST_PRIO because they are reserved for use by µC/OS-II. This leaves you with up to 56 application tasks.

Example 1

E1(1)

The task control block is extended using a user-defined data structure called OS_TASK_USER_DATA , which in this case contains the name of the task as well as other fields.

E1(2)

The task name is initialized with the standard library function strcpy() .

E1(4)

Note that stack checking has been enabled for this task, so you are allowed to call OSTaskStkChk() .

E1(3)

Also, assume here that the stack grows downward on the processor used (i.e., OS_STK_GROWTH is set to 1; TOS stands for Top-Of-Stack and BOS stands for Bottom-Of-Stack).

```
typedef struct {                               /* User defined data structure    (1) */
    char    OSTaskName[20];
    INT16U  OSTaskCtr;
    INT16U  OSTaskExecTime;
    INT32U  OSTaskTotExecTime;
} OS_TASK_USER_DATA;

OS_STK      TaskStk[1024];
TASK_USER_DATA  TaskUserData;

void main(void)
{
    INT8U err;
    .
    OSInit();                               /* Initialize µC/OS-II          */
    .
    strcpy(TaskUserData.TaskName, "MyTaskName"); /* Name of task                (2) */
    err = OSTaskCreateExt(Task,
        (void *)0,
```

```
        &TaskStk[1023],          /* Stack grows down (TOS) (3) */
        10,
        &TaskStk[0],           /* Stack grows down (BOS) (3) */
        1024,
        (void *)&TaskUserData, /* TCB Extension */
        OS_TASK_OPT_STK_CHK);   /* Stack checking enabled (4) */
    .
    OSStart();                  /* Start Multitasking */
}

void Task(void *pdata)
{
    pdata = pdata;             /* Avoid compiler warning */
    for (;;) {
        .                       /* Task code */
        .
    }
}
```

Example 2

E2(1)

Now create a task, but this time on a processor for which the stack grows upward. The Intel MCS-51 is an example of such a processor. In this case, `OS_STK_GROWTH` is set to 0.

E2(2)

Note that stack checking has been enabled for this task so you are allowed to call `OSTaskStkChk()` (TOS stands for Top-Of-Stack and BOS stands for Bottom-Of-Stack).

```
OS_STK *TaskStk[1024];
void main(void)
{
    INT8U err;
    .
    OSInit();                  /* Initialize µC/OS-II */
    .
    err = OSTaskCreateExt(Task,
        (void *)0,
        &TaskStk[0],           /* Stack grows up (TOS) (1) */
        10,
        10,
        &TaskStk[1023],       /* Stack grows up (BOS) (1) */
        1024,
        (void *)0,
        OS_TASK_OPT_STK_CHK); /* Stack checking enabled (2) */
    .
    OSStart();                /* Start Multitasking */
}

void Task(void *pdata)
{
    pdata = pdata;             /* Avoid compiler warning */
    for (;;) {
        .                       /* Task code */
        .
    }
}
```

```
}  
}
```

OSTaskDel()

```
INT8U OSTaskDel (INT8U prio);
```

File	Called From	Code Enabled By
OS_TASK.C	Task only	OS_TASK_DEL_EN

OSTaskDel() deletes a task by specifying the priority number of the task to delete. The calling task can be deleted by specifying its own priority number or OS_PRIO_SELF (if the task doesn't know its own priority number). The deleted task is returned to the dormant state. The deleted task can be re-created by calling either OSTaskCreate() or OSTaskCreateExt() to make the task active again.

Arguments

prio

is the priority number of the task to delete. You can delete the calling task by passing OS_PRIO_SELF, in which case, the next highest priority task is executed.

Returned Value

OSTaskDel() returns one of the following error codes:

OS_NO_ERR

if the task didn't delete itself.

OS_TASK_DEL_IDLE

if you tried to delete the idle task. This is of course not allowed.

OS_TASK_DEL_ERR

if the task to delete does not exist.

OS_PRIO_INVALID

if you specified a task priority higher than OS_LOWEST_Prio .

OS_TASK_DEL_ISR

if you tried to delete a task from an ISR.

Notes/Warnings

OSTaskDel() verifies that you are not attempting to delete the µC/OS-II idle task.

You must be careful when you delete a task that owns resources. Instead, consider using OSTaskDelReq() as a safer approach.

Example

```
void TaskX(void *pdata)
{
    INT8U err;
    for (;;) {
        .
        .
        err = OSTaskDel(10);    /* Delete task with priority */
        if (err == OS_NO_ERR) {
            .                    /* Task was deleted          */
            .
        }
        .
        .
    }
}
```

OSTaskDelReq()

```
INT8U OSTaskDelReq (INT8U prio);
```

File	Called From	Code Enabled By
OS_TASK.C	Task only	OS_TASK_DEL_EN

OSTaskDelReq() requests that a task delete itself. Basically, use OSTaskDelReq() when you need to delete a task that can potentially own resources (e.g., the task may own a semaphore). In this case, you don't want to delete the task until the resource is released. The requesting task calls OSTaskDelReq() to indicate that the task needs to be deleted. Deletion of the task is, however, deferred to the task being deleted. In other words, the task is actually deleted when it regains control of the CPU. For example, suppose Task 10 needs to be deleted. The task wanting to delete this task (example Task 5) would call OSTaskDelReq(10) . When Task 10 executes, it calls OSTaskDelReq(OS_PRIO_SELF) and monitors the return value. If the return value is OS_TASK_DEL_REQ , then Task 10 is asked to delete itself. At this point, Task 10 calls OSTaskDel(OS_PRIO_SELF). Task 5 knows whether Task 10 has been deleted by calling OSTaskDelReq(10) and checking the return code. If the return code is OS_TASK_NOT_EXIST , then Task 5 knows that Task 10 has been deleted. Task 5 may have to check periodically until OS_TASK_NOT_EXIST is returned.

Arguments

prio is the task's priority number of the task to delete. If you specify OS_PRIO_SELF , you are asking whether another task wants the current task to be deleted.

Returned Value

OSTaskDelReq() returns one of the following error codes:

OS_NO_ERR

if the task deletion has been registered.

OS_TASK_NOT_EXIST

if the task does not exist. The requesting task can monitor this return code to see if the task was actually deleted.

OS_TASK_DEL_IDLE

if you asked to delete the idle task (this is obviously not allowed).

OS_PRIQ_INVALID

if you specified a task priority higher than OS_LOWEST_PQIO or you have not specified OS_PQIO_SELF .

OS_TASK_DEL_REQ

if a task (possibly another task) requested that the running task be deleted.

Notes/Warnings

OSTaskDelReq() verifies that you are not attempting to delete the μC/OS-II idle task.

Example

```
void TaskThatDeletes (void *pdata)      /* My priority is          */
{
    INT8U err;
    for (;;) {
        .
        .
        err = OSTaskDelReq(10);          /* Request task #10 to delete itself */
        if (err == OS_NO_ERR) {
            while (err != OS_TASK_NOT_EXIST) {
                err = OSTaskDelReq(10);
                OSTimeDly(1);            /* Wait for task to be deleted      */
            }
            .                               /* Task #10 has been deleted        */
        }
        .
        .
    }
}

void TaskToBeDeleted (void *pdata)     /* My priority is          */
{
    .
    .
    pdata = pdata;
    for (;;) {
        OSTimeDly(1);
        if (OSTaskDelReq(OS_PRIO_SELF) == OS_TASK_DEL_REQ) {
            /* Release any owned resources;    */
            /* De-allocate any dynamic memory; */
            OSTaskDel(OS_PRIO_SELF);
        }
    }
}
```

OSTaskQuery()

```
INT8U OSTaskQuery (INT8U  prio,  
                  OS_TCB *pdata);
```

File	Called From	Code Enabled By
OS_TASK.C	Task or ISR	

OSTaskQuery() obtains information about a task. Your application must allocate an OS_TCB data structure to receive a “snapshot” of the desired task’s control block. Your copy will contain every field in the OS_TCB structure. You should be careful when accessing the contents of the OS_TCB structure, especially OSTCBNext and OSTCBPrev , because they point to the next and previous OS_TCB in the chain of created tasks, respectively. You could use this function to provide a debugger ‘kernel awareness’.

Arguments

prio

is the priority of the task you wish to obtain data from. You can obtain information about the calling task by specifying OS_PRIO_SELF .

pdata

is a pointer to a structure of type OS_TCB , which contains a copy of the task’s control block.

Returned Value

OSTaskQuery() returns one of three error codes:

OS_NO_ERR

if the call was successful.

OS_PRIO_ERR

if you tried to obtain information from an invalid task.

OS_PRIO_INVALID

if you specified a priority higher than OS_LOWEST_PRIO .

Notes/Warnings

The fields in the task control block depend on the following configuration options (see OS_CFG.H):

- OS_TASK_CREATE_EN
- OS_Q_EN
- OS_FLAG_EN
- OS_MBOX_EN
- OS_SEM_EN
- OS_TASK_DEL_EN

Example

```
void Task (void *pdata)
{
    OS_TCB task_data;
    INT8U  err;
    void   *pext;
    INT8U  status;
    pdata = pdata;
    for (;;) {
        .
        .
        err = OSTaskQuery(OS_PRIO_SELF, &task_data);
        if (err == OS_NO_ERR) {
            pext = task_data.OSTCBEExtPtr; /* Get TCB extension pointer */
            status = task_data.OSTCBStat; /* Get task status */
            .
            .
        }
        .
        .
    }
}
```

OSTaskResume()

```
INT8U OSTaskResume (INT8U prio);
```

File	Called From	Code Enabled By
OS_TASK.C	Task only	OS_TASK_SUSPEND_EN

OSTaskResume() resumes a task that was suspended through the OSTaskSuspend() function. In fact, OSTaskResume() is the only function that can “unsuspend” a suspended task.

Arguments

prio

specifies the priority of the task to resume.

Returned Value

OSTaskResume() returns one of the following error codes:

OS_NO_ERR

if the call was successful.

OS_TASK_RESUME_PRIO

if the task you are attempting to resume does not exist.

OS_TASK_NOT_SUSPENDED

if the task to resume has not been suspended.

OS_PRIO_INVALID

if prio is higher or equal to OS_LOWEST_PRIO .

Notes/Warnings

None

Example

```
void TaskX(void *pdata)
{
    INT8U err;
    for (;;) {
        .
        .
        err = OSTaskResume(10);      /* Resume task with priority 10 */
        if (err == OS_NO_ERR) {     /* Task was resumed */
            .
            .
        }
        .
        .
    }
}
```

OSTaskStkChk()

```
INT8U OSTaskStkChk (INT8U    prio,  
                  OS_STK_DATA *pdata);
```

File	Called From	Code Enabled By
OS_TASK.C	Task code	OS_TASK_CREATE_EXT

OSTaskStkChk() determines a task's stack statistics. Specifically, it computes the amount of free stack space as well as the amount of stack space used by the specified task. This function requires that the task be created with OSTaskCreateExt() and that you specify OS_TASK_OPT_STK_CHK in the opt argument.

Stack sizing is done by walking from the bottom of the stack and counting the number of 0 entries on the stack until a nonzero value is found. Of course, this assumes that the stack is cleared when the task is created. For that purpose, you need to set OS_TASK_OPT_STK_CLR to 1 as an option when you create the task. You could set OS_TASK_OPT_STK_CLR to 0 if your startup code clears all RAM and you never delete your tasks. This would reduce the execution time of OSTaskCreateExt() .

Arguments

prio

is the priority of the task you want to obtain stack information about. You can check the stack of the calling task by passing OS_PRIO_SELF .

pdata

is a pointer to a variable of type OS_STK_DATA , which contains the following fields:

Returned Value

```
INT32U OSFree;      /* Number of bytes free on the stack    */  
INT32U OSUsed;     /* Number of bytes used on the stack    */
```

OSTaskStkChk() returns one of the following error codes:

OS_NO_ERR

if you specified valid arguments and the call was successful.

OS_PRIO_INVALID

if you specified a task priority higher than OS_LOWEST_PRIO , or you didn't specify OS_PRIO_SELF .

OS_TASK_NOT_EXIST

if the specified task does not exist.

OS_TASK_OPT_ERR

if you did not specify OS_TASK_OPT_STK_CHK when the task was created by OSTaskCreateExt() or if you created the task by using OSTaskCreate() .

Notes/Warnings

Execution time of this task depends on the size of the task's stack and is thus nondeterministic.

Your application can determine the total task stack space (in number of bytes) by adding the two fields .OSFree and .OSUsed of the OS_STK_DATA data structure.

Technically, this function can be called by an ISR, but because of the possibly long execution time, it is not advisable.

Example

```
void Task (void *pdata)
{
    OS_STK_DATA stk_data;
    INT32U      stk_size;
    for (;;) {
        .
        .
        err = OSTaskStkChk(10, &stk_data);
        if (err == OS_NO_ERR) {
            stk_size = stk_data.OSFree + stk_data.OSUsed;
        }
        .
        .
    }
}
```

OSTaskSuspend()

```
INT8U OSTaskSuspend (INT8U prio);
```

File	Called From	Code Enabled By
OS_TASK.C	Task only	OS_TASK_SUSPEND_EN

OSTaskSuspend() suspends (or blocks) execution of a task unconditionally. The calling task can be suspended by specifying its own priority number or OS_PRIO_SELF if the task doesn't know its own priority number. In this case, another task needs to resume the suspended task. If the current task is suspended, rescheduling occurs and µC/OS-II runs the next highest priority task ready to run. The only way to resume a suspended task is to call OSTaskResume() .

Task suspension is additive. This means that if the task being suspended is delayed until n ticks expire, the task is resumed only when both the time expires and the suspension is removed. Also, if the suspended task is waiting for a semaphore and the semaphore is signaled, the task is removed from the semaphore wait list (if it is the highest priority task waiting for the semaphore) but execution is not resumed until the suspension is removed.

Arguments

prio

specifies the priority of the task to suspend. You can suspend the calling task by passing OS_PRIO_SELF , and the next highest priority task is executed.

Returned Value

OSTaskSuspend() returns one of the following error codes:

OS_NO_ERR

if the call was successful.

OS_TASK_SUSPEND_IDLE

if you attempted to suspend the µC/OS-II idle task, which is not allowed.

OS_PRIO_INVALID

if you specified a priority higher than the maximum allowed (i.e., you specified a priority of OS_LOWEST_PRIO or more) or you didn't specify OS_PRIO_SELF .

OS_TASK_SUSPEND_PRIO

if the task you are attempting to suspend does not exist.

Notes/Warnings

OSTaskSuspend() and OSTaskResume() must be used in pairs.

A suspended task can only be resumed by OSTaskResume() .

Example

```
void TaskX(void *pdata)
{
    INT8U err;
    for (;;) {
        .
        .
        err = OSTaskSuspend(OS_PRIO_SELF);    /* Suspend current task */
        .                                     /* Execution continues when ANOTHER task .. */
        .                                     /* .. explicitly resumes this task. */
        .
    }
}
```

OSTimeDly()

```
void OSTimeDly (INT16U ticks);
```

File	Called From	Code Enabled By
OS_TIME.C	Task only	N/A

OSTimeDly() allows a task to delay itself for an integral number of clock ticks. Rescheduling always occurs when the number of clock ticks is greater than zero. Valid delays range from one to 65,535 ticks. A delay of 0 means that the task is not delayed and OSTimeDly() returns immediately to the caller. The actual delay time depends on the tick rate (see OS_TICKS_PER_SEC in the configuration file OS_CFG.H).

Arguments

ticks

is the number of clock ticks to delay the current task.

Returned Value

None

Notes/Warnings

Note that calling this function with a value of 0 results in no delay, and the function returns immediately to the caller. To ensure that a task delays for the specified number of ticks, you should consider using a delay value that is one tick higher. For example, to delay a task for at least 10 ticks, you should specify a value of 11.

Example

```
void TaskX(void *pdata)
{
    for (;;) {
        .
        OSTimeDly(10);          /* Delay task for 10 clock ticks */
        .
    }
}
```

OSTimeDlyHMSM()

```
void OSTimeDlyHMSM (INT8U hours,  
                   INT8U minutes,  
                   INT8U seconds,  
                   INT8U milli);
```

File	Called From	Code Enabled By
OS_TIME.C	Task only	

OSTimeDlyHMSM() allows a task to delay itself for a user-specified amount of time specified in hours, minutes, seconds, and milliseconds. This is a more convenient and natural format than ticks. Rescheduling always occurs when at least one of the parameters is nonzero.

Arguments

hours

is the number of hours the task will be delayed. The valid range of values is 0 to 255.

minutes

is the number of minutes the task will be delayed. The valid range of values is 0 to 59.

seconds

is the number of seconds the task will be delayed. The valid range of values is 0 to 59.

milli

is the number of milliseconds the task will be delayed. The valid range of values is 0 to 999. Note that the resolution of this argument is in multiples of the tick rate. For instance, if the tick rate is set to 100 Hz, a delay of 4ms results in no delay. The delay is rounded to the nearest tick. Thus, a delay of 15ms actually results in a delay of 20ms.

Returned Value

OSTimeDlyHMSM() returns one of the following error codes:

OS_NO_ERR

if you specified valid arguments and the call was successful.

OS_TIME_INVALID_MINUTES

if the minutes argument is greater than 59.

OS_TIME_INVALID_SECONDS

if the seconds argument is greater than 59.

OS_TIME_INVALID_MILLI

if the milliseconds argument is greater than 999.

OS_TIME_ZERO_DLY

if all four arguments are 0.

Notes/Warnings

Note that `OSTimeDlyHMSM(0,0,0,0)` (i.e., hours, minutes, seconds, milli) results in no delay, and the function returns to the caller. Also, if the total delay time is longer than 65,535 clock ticks, you will not be able to abort the delay and resume the task by calling `OSTimeDlyResume()`.

Example

```
void TaskX(void *pdata)
{
    for (;;) {
        .
        .
        OSTimeDlyHMSM(0, 0, 1, 0); /* Delay task for 1 second */
        .
        .
    }
}
```

OSTimeDlyResume()

```
INT8U OSTimeDlyResume (INT8U prio);
```

File	Called From	Code Enabled By
OS_TIME.C	Task only	

OSTimeDlyResume() resumes a task that has been delayed through a call to either OSTimeDly() or OSTimeDlyHMSM() .

Arguments

prio

specifies the priority of the task to resume.

Returned Value

OSTimeDlyResume() returns one of the following error codes:

OS_NO_ERR

if the call was successful.

OS_PRIO_INVALID

if you specified a task priority greater than OS_LOWEST_PRIO .

OS_TIME_NOT_DLY

if the task is not waiting for time to expire.

OS_TASK_NOT_EXIST

if the task has not been created.

Notes/Warnings

Note that you must not call this function to resume a task that is waiting for an event with timeout. This situation would make the task look like a timeout occurred (unless you desire this effect).

You cannot resume a task that has called `OSTimeDlyHMSM()` with a combined time that exceeds 65,535 clock ticks. In other words, if the clock tick runs at 100 Hz, you will not be able to resume a delayed task that called `OSTimeDlyHMSM(0, 10, 55, 350)` or higher.

$(10 \text{ minutes} * 60 + (55 + 0.35) \text{ seconds}) * 100 \text{ ticks/second}$

Example

```
void TaskX(void *pdata)
{
    INT8U err;
    pdata = pdata;
    for (;;) {
        .
        err = OSTimeDlyResume(10);          /* Resume task with priority 10    */
        if (err == OS_NO_ERR) {            /* Task was resumed                */
            .
        }
        .
    }
}
```

OSTimeGet()

```
INT32U OSTimeGet (void);
```

File	Called From	Code Enabled By
OS_TIME.C	Task or ISR	

OSTimeGet() obtains the current value of the system clock. The system clock is a 32-bit counter that counts the number of clock ticks since power was applied or since the system clock was last set.

Arguments

None

Returned Value

The current system clock value (in number of ticks).

Notes/Warnings

None

Example

```
void TaskX(void *pdata)
{
    INT32U clk;
    for (;;) {
        .
        .
        clk = OSTimeGet(); /* Get current value of system clock */
        .
        .
    }
}
```

OSTimeSet()

```
void OSTimeSet (INT32U ticks);
```

File	Called From	Code Enabled By
OS_TIME.C	Task or ISR	

OSTimeSet() sets the system clock. The system clock is a 32-bit counter that counts the number of clock ticks since power was applied or since the system clock was last set.

Arguments

ticks

is the desired value for the system clock, in ticks.

Returned Value

None

Notes/Warnings

None

Example

```
void TaskX(void *pdata)
{
    for (;;) {
        .
        .
        OSTimeSet(0L); /* Reset the system clock */
        .
        .
    }
}
```

OSTimeTick()

```
void OSTimeTick (void);
```

File	Called From	Code Enabled By
OS_TIME.C	Task or ISR	N/A

OSTimeTick() processes a clock tick. µC/OS-II checks all tasks to see if they are either waiting for time to expire [because they called OSTimeDly() or OSTimeDlyHMSM()] or waiting for events to occur until they timeout.

Arguments

None

Returned Value

None

Notes/Warnings

The execution time of OSTimeTick() is directly proportional to the number of tasks created in an application. OSTimeTick() can be called by either an ISR or a task. If called by a task, the task priority should be very high (i.e., have a low priority number) because this function is responsible for updating delays and timeouts.

Example

(Intel 80x86, real mode, large model)

```
_OSTickISR PROC FAR
    PUSHA                ; Save processor context
    PUSH ES
    PUSH DS
;
    MOV AX, SEG(_OSIntNesting) ; Reload DS
    MOV DS, AX
    INC BYTE PTR DS:_OSIntNesting ; Notify uC/OS-II of ISR
;
    CMP BYTE PTR DS:_OSIntNesting, 1 ; if (OSIntNesting == 1)
    JNE SHORT _OSTickISR1
```

```
        MOV     AX, SEG(_OSTCBCur)      ; Reload DS
        MOV     DS, AX
        LES     BX, DWORD PTR DS:_OSTCBCur ; OSTCBCur->OSTCBStkPtr = SS:SP
        MOV     ES:[BX+2], SS          ;
        MOV     ES:[BX+0], SP          ;
        CALL    FAR PTR _OSTimeTick    ; Process clock tick
        .                                     ; User Code to clear interrupt
        .
        CALL    FAR PTR _OSIntExit      ; Notify µC/OS-II of end of ISR
        POP     DS                      ; Restore processor registers
        POP     ES
        POPA
;
        IRET                            ; Return to interrupted task
_OSTickISR ENDP
```

OSTmrCreate()

```
OS_TMR *OSTmrCreate(INT32U      dly,  
                    INT32U      period,  
                    INT8U       opt,  
                    OS_TMR_CALLBACK callback,  
                    void        *callback_arg,  
                    INT8U       *pname,  
                    INT8U       *perr);
```

File	Called from	Code enabled by
OS_TMR.C	Task	OS_TMR_EN

OSTmrCreate() allows you to create a timer. The timer can be configured to run continuously (opt set to OS_TMR_OPT_PERIODIC) or only once (opt set to OS_TMR_OPT_ONE_SHOT). When the timer counts down to 0 (from the value specified in period), an optional 'callback' function can be executed. The callback can be used to signal a task that the timer expired or, perform any other function. However, it's recommended that you keep the callback function as short as possible.

You **MUST** call OSTmrStart() to actually start the timer. If you configured the timer for one shot mode and the timer expired, you need to call OSTmrStart() to retrigger the timer or OSTmrDel() to delete the timer if you don't plan on retriggering it and or not use the timer anymore. Note that you can use the callback function to delete the timer if you use the one shot mode.

Arguments

dly

specifies an initial delay used by the timer (see drawing below).

In ONE-SHOT mode, this is the time of the one-shot.

If in PERIODIC mode, this is the initial delay before the timer enters periodic mode.

The units of this time depends on how often you call OSTmrSignal(). In other words, if OSTmrSignal() is called every 1/10 of a second (i.e. OS_TMR_CFG_TICKS_PER_SEC set to 10) then, dly specifies the number of 1/10 of a second before the delay expires. Note that the

timer is **NOT** started when it is created.

period

specifies the amount of time it will take before the timer expires. You should set the 'period' to 0 when you use one-shot mode. The units of this time depends on how often you call OSTmrSignal(). In other words, if OSTmrSignal() is called every 1/10 of a second (i.e. OS_TMR_CFG_TICKS_PER_SEC set to 10) then, period specifies the number of 1/10 of a second before the timer times out.

opt

OS_TMR_OPT_PERIODIC

specifies whether you want to timer to automatically reload itself.

OS_TMR_OPT_ONE_SHOT

specifies to stop the timer when it times out.

Note that you **MUST** select one of these two options.

callback

specifies the address of a function (optional) that you want to execute when the timer expires or, is terminated before it expires (i.e. by calling OSTmrStop()). The callback function must be declared as follows:

```
void MyCallback (void *ptmr, void *callback_arg);
```

When the timer expires, this function will be called and passed the timer 'handle' of the expiring timer as well as the argument specified by callback_arg.

You should note that you don't have to specify a callback and, in this case, simply pass a NULL pointer.

callback_arg

Is the argument passed to the callback function when the timer expires or is terminated. `callback_arg` can be a NULL pointer if the callback function doesn't require arguments.

`pname`

Is a pointer to an ASCII string that allows you to give a name to your timer. You can retrieve this name by calling `OSTmrNameGet()`.

`perr`

a pointer to an error code and can be any of the following:

`OS_ERR_NONE`

If the timer was created successfully.

`OS_ERR_TMR_INVALID_DLY`

You specified a delay of 0 when in ONE SHOT mode.

`OS_ERR_TMR_INVALID_PERIOD`

You specified a period of 0 when in PERIODIC mode.

`OS_ERR_TMR_INVALID_OPT`

If you did not specify either `OS_TMR_OPT_PERIODIC` or `OS_TMR_OPT_ONE_SHOT`.

`OS_ERR_TMR_ISR`

If you called this function from an ISR, which you are not allowed to do.

`OS_ERR_TMR_NON_AVAIL`

You get this error when you cannot start a timer because all timer elements (i.e. objects) have already been allocated.

PERIODIC MODE (see 'opt') – `dly > 0`

PERIODIC MODE (see 'opt') – dly == 0

ONE-SHOT MODE (see 'opt') – dly **MUST** be non-zero

Returned Values

A pointer to an OS_TMR object that you **MUST** use to reference the timer that you just created. A NULL pointer is returned if the timer was not created because of errors (see returned error codes).

Notes/Warnings

1. You should examine the return value to make sure what you get from this function is valid.
2. You **MUST NOT** call this function from an ISR.
3. Note that the timer is **NOT** started when it is created. To start the timer, you **MUST** call OSTmrStart().

Example

```
OS_TMR *CloseDoorTmr;

void Task (void *p_arg)
{
    INT8U    err;

    (void)p_arg;
    for (;;) {
        CloseDoorTmr = OSTmrCreate( 10,
                                    100,
                                    OS_TMR_OPT_PERIODIC,
                                    DoorCloseFunct,
                                    (void *)0,
                                    "Door Close",
                                    &err);

        if (err == OS_ERR_NONE) {
            /* Timer was created but NOT started */
        }
    }
}
```

OSTmrDel()

```
BOOLEAN OSTmrDel(OS_TMR *ptmr,  
                 INT8U *perr);
```

File	Called from	Code enabled by
OS_TMR.C	Task	OS_TMR_EN

OSTmrDel() allows you to delete a timer. If a timer was running, it will be stopped and then deleted. If the timer has already timed out and is thus stopped, it will simply be deleted.

It is up to you to delete unused timers. If you delete a timer you **MUST NOT** reference it anymore.

Arguments

ptmr

is a pointer to the timer that you want to delete. This pointer is returned to you when the timer is created (see OSTmrCreate()).

perr

a pointer to an error code and can be any of the following:

OS_ERR_NONE

If the timer was deleted successfully.

OS_ERR_TMR_INVALID

If you passed a NULL pointer for the ptmr argument.

OS_ERR_TMR_INVALID_TYPE

'ptmr' is not pointing to a timer.

OS_ERR_TMR_ISR

You called this function from an ISR which is NOT allowed.

OS_ERR_TMR_INACTIVE

ptmr is pointing to an inactive timer. In other words, you would get this error if you are pointing to a timer that has been deleted or was not created.

OS_ERR_TMR_INVALID_STATE

The timer is in an invalid state.

Returned Values

OS_TRUE if the timer was deleted

OS_FALSE if an error occurred.

Notes/Warnings

1. You should examine the return value to make sure what you get from this function is valid.
2. You **MUST NOT** call this function from an ISR.
3. If you delete a timer you **MUST NOT** reference it anymore.

Example

```
OS_TMR *CloseDoorTmr;

void Task (void *p_arg)
{
    INT8U    err;

    (void)p_arg;
    for (;;) {
        CloseDoorTmr = OSTmrDel(CloseDoorTmr,
                                &err);
        if (err == OS_ERR_NONE) {
            /* Timer was deleted ... DO NOT reference it anymore! */
        }
    }
}
```

OSTmrNameGet()

```
INT8U OSTmrNameGet(OS_TMR *ptmr,  
                  INT8U **pdest,  
                  INT8U *perr);
```

File	Called from	Code enabled by
OS_TMR.C	Task	OS_TMR_EN && OS_TMR_CFG_NAME_EN

OSTmrNameGet() allows you to retrieve the name associated with the specified timer. OSTmrNameGet() places the name of the timer in an array of characters which must be as big as OS_TMR_CFG_NAME_SIZE (see OS_CFG.H).

Arguments

ptmr

is a pointer to the timer that you are inquiring about. This pointer is returned to you when the timer is created (see OSTmrCreate()).

pdest

is a pointer to a pointer to the name of the timer.

perr

a pointer to an error code and can be any of the following:

OS_ERR_NONE

If the name of the task was copied to the array pointed to by pname.

OS_ERR_TMR_INVALID_DEST

If you specified a NULL pointer for pdest.

OS_ERR_TMR_INVALID

If you passed a NULL pointer for the `ptmr` argument.

`OS_ERR_TMR_INVALID_TYPE`

'`ptmr`' is not pointing to a timer.

`OS_ERR_NAME_GET_ISR`

You called this function from an ISR which is **NOT** allowed.

`OS_ERR_TMR_INACTIVE`

`ptmr` is pointing to an inactive timer. In other words, you would get this error if you are pointing to a timer that has been deleted or was not created.

`OS_ERR_TMR_INVALID_STATE`

The timer is in an invalid state.

Returned Values

The length of the timer name (in number of characters).

Notes/Warnings

- You should examine the return value of this function.
- You **MUST NOT** call this function from an ISR.

Example

```
INT8U *CloseDoorTmrName;
OS_TMR *CloseDoorTmr;

void Task (void *p_arg)
{
    INT8U    err;

    (void)p_arg;
    for (;;) {
        OSTmrNameGet(CloseDoorTmr, &CloseDoorTmrName, &err);
        if (err == OS_ERR_NONE) {
            /* CloseDoorTmrName points to the name of the timer */
        }
    }
}
```

OSTmrRemainGet()

```
INT32U OSTmrRemainGet(OS_TMR *ptmr,  
                      INT8U *perr);
```

File	Called from	Code enabled by
OS_TMR.C	Task	OS_TMR_EN

OSTmrRemainGet() allows you to obtain the time remaining (before it times out) of the specified timer. The value returned depends on the rate (in Hz) at which the timer task is signaled (see OS_TMR_CFG_TICKS_PER_SEC in OS_CFG.H). In other words, if OS_TMR_CFG_TICKS_PER_SEC is set to 10 then the value returned is the number of 1/10 of a second before the timer times out. If the timer has timed out, the value returned will be 0.

Arguments

ptmr

is a pointer to the timer that you are inquiring about. This pointer is returned to you when the timer is created (see OSTmrCreate()).

perr

a pointer to an error code and can be any of the following:

OS_ERR_NONE

If the function returned the time remaining for the timer.

OS_ERR_TMR_INVALID

If you passed a NULL pointer for the ptmr argument.

OS_ERR_TMR_INVALID_TYPE

'ptmr' is not pointing to a timer.

OS_ERR_TMR_ISR

You called this function from an ISR which is NOT allowed.

OS_ERR_TMR_INACTIVE

ptmr is pointing to an inactive timer. In other words, you would get this error if you are pointing to a timer that has been deleted or was not created.

OS_ERR_TMR_INVALID_STATE

The timer is in an invalid state.

Returned Values

The time remaining for the timer. The value returned depends on the rate (in Hz) at which the timer task is signaled (see OS_TMR_CFG_TICKS_PER_SEC in OS_CFG.H). In other words, if OS_TMR_CFG_TICKS_PER_SEC is set to 10 then the value returned is the number of 1/10 of a second before the timer times out. If you specified an invalid timer, the returned value will be 0. If the timer has already expired then the returned value will be 0.

Notes/Warnings

1. You should examine the return value to make sure what you get from this function is valid.
2. You **MUST NOT** call this function from an ISR.

Example

```
INT32U  TimeRemainToCloseDoor;
OS_TMR  *CloseDoorTmr;

void Task (void *p_arg)
{
    INT8U  err;

    (void)p_arg;
    for (;;) {
        TimeRemainToCloseDoor = OSTmrRemainGet(CloseDoorTmr, &err);
        if (err == OS_ERR_NONE) {
            /* Call was successful */
        }
    }
}
```

OSTmrSignal()

```
INT8U OSTmrSignal(void);
```

File	Called from	Code enabled by
OS_TMR.C	Task or ISR	OS_TMR_EN

OSTmrSignal() is called either by a task or an ISR to indicate that it's time to update the timers. Typically, OSTmrSignal() would be called by OSTimeTickHook() at a multiple of the tick rate. In other words, if OS_TICKS_PER_SEC is set to 1000 in OS_CFG.H then you should call OSTmrSignal() every 10th or 100th tick interrupt (100 Hz or 10 Hz, respectively). You should typically call OSTmrSignal() every 1/10 of a second. The higher the timer rate, of course, the more overhead timer management will impose on your system. Generally, we recommend 10 Hz (1/10 of a second).

You 'could' call OSTmrSignal() from the µC/OS-II tick ISR hook function (see example below). If the tick rate occurs at 1000 Hz then you can simply call OSTmrSignal() every 100th tick. Of course, you would have to implement a simple counter to do this.

Arguments

None.

Returned Values

OSTmrSignal()

uses semaphores to implement the signaling mechanism. Because of that, OSTmrSignal() can return one of the following errors. However, it's very unlikely you will get anything else but OS_ERR_NONE.

OS_ERR_NONE

The call was successful and the timer task was signaled.

OS_ERR_SEM_OVF

If OSTmrSignal() was called more often than OSTmr_Task() can handle the timers. This would indicate that your system is heavily loaded.

OS_ERR_EVENT_TYPE

Unlikely you would get this error because the semaphore used for signaling is created by μC/OS-II.

OS_ERR_PEVENT_NULL

Again, unlikely you would ever get this error because the semaphore used for signaling is created by μC/OS-II.

Notes/Warnings

None.

Example

```
#if OS_TMR_EN > 0
static INT16U OSTmrTickCtr = 0;
#endif

void OSTimeTickHook (void)
{
#if OS_TMR_EN > 0
    OSTmrTickCtr++;
    if (OSTmrTickCtr >= (OS_TICKS_PER_SEC / OS_TMR_CFG_TICKS_PER_SEC)) {
        OSTmrTickCtr = 0;
        OSTmrSignal();
    }
#endif
}
```

OSTmrStart()

```
BOOLEAN OSTmrStart(OS_TMR *ptmr,  
                  INT8U *perr);
```

File	Called from	Code enabled by
OS_TMR.C	Task	OS_TMR_EN

OSTmrStart() allows you to start (or restart) the countdown process of a timer. The timer to start **MUST** have previously been created.

Arguments

ptmr

is a pointer to the timer that you want to start (or restart). This pointer is returned to you when the timer is created (see OSTmrCreate()).

perr

a pointer to an error code and can be any of the following:

OS_ERR_NONE

If the timer was started.

OS_ERR_TMR_INVALID

If you passed a NULL pointer for the ptmr argument.

OS_ERR_TMR_INVALID_TYPE

'ptmr' is not pointing to a timer.

OS_ERR_TMR_ISR

You called this function from an ISR which is NOT allowed.

OS_ERR_TMR_INACTIVE

ptmr is pointing to an inactive timer. In other words, you would get this error if you are pointing to a timer that has been deleted or was not created.

OS_ERR_TMR_INVALID_STATE

The timer is in an invalid state.

Returned Values

OS_TRUE if the timer was started

OS_FALSE if an error occurred.

Notes/Warnings

1. You should examine the return value to make sure what you get from this function is valid.
2. You **MUST NOT** call this function from an ISR.
3. The timer to start **MUST** have previously been created.

Example

```
OS_TMR *CloseDoorTmr;
BOOLEAN status;

void Task (void *p_arg)
{
    INT8U    err;

    (void)p_arg;
    for (;;) {
        status = OSTmrStart(CloseDoorTmr,
                            &err);
        if (err == OS_ERR_NONE) {
            /* Timer was started */
        }
    }
}
```

OSTmrStateGet()

```
INT8U OSTmrStateGet(OS_TMR *ptmr,  
                    INT8U *perr);
```

File	Called from	Code enabled by
OS_TMR.C	Task	OS_TMR_EN

OSTmrStateGet() allows you to obtain the current state of a timer. A timer can be in one of 4 states:

OS_TMR_STATE_UNUSED

The timer has not been created

OS_TMR_STATE_STOPPED

The timer has been created but has not been started or has been stopped.

OS_TMR_STATE_COMPLETED

The timer is in ONE-SHOT mode and has completed its delay.

OS_TMR_STATE_RUNNING

The timer is currently running

Arguments

ptmr

is a pointer to the timer that you are inquiring about. This pointer is returned to you when the timer is created (see OSTmrCreate()).

perr

a pointer to an error code and can be any of the following:

OS_ERR_NONE

If the function returned the time remaining for the timer.

OS_ERR_TMR_INVALID

If you passed a NULL pointer for the `ptmr` argument.

OS_ERR_TMR_INVALID_TYPE

'`ptmr`' is not pointing to a timer.

OS_ERR_TMR_ISR

You called this function from an ISR which is NOT allowed.

OS_ERR_TMR_INACTIVE

`ptmr` is pointing to an inactive timer. In other words, you would get this error if you are pointing to a timer that has been deleted or was not created.

OS_ERR_TMR_INVALID_STATE

The timer is in an invalid state.

Returned Values

The state of the timer (see description).

Notes/Warnings

1. You should examine the return value to make sure what you get from this function is valid.
2. You **MUST NOT** call this function from an ISR.

Example

```
INT8U   CloseDoorTmrState;
OS_TMR  *CloseDoorTmr;

void Task (void *p_arg)
{
    INT8U   err;

    (void)p_arg;
    for (;;) {
        CloseDoorTmrState = OSTmrStateGet(CloseDoorTmr, &err);
        if (err == OS_ERR_NONE) {
            /* Call was successful */
        }
    }
}
```

OSTmrStop()

```
BOOLEAN OSTmrStop(OS_TMR *ptmr,  
                  INT8U  opt,  
                  void    *callback_arg,  
                  INT8U  *perr);
```

File	Called from	Code enabled by
OS_TMR.C	Task	OS_TMR_EN

OSTmrStop() allows you to stop (i.e. abort) a timer. You can execute the callback function of the timer when it's stopped and pass this callback function a different argument than what was specified when the timer was started. This allows your callback function to *know* that the timer was stopped because the callback argument can be made to indicate this (this, of course, is application specific). If the timer is already stopped, the callback function is not called.

Arguments

ptmr

Is a pointer to the timer you want to stop. This 'handle' was returned to your application when you called OSTmrStart() and uniquely identifies the timer.

opt

specifies whether you want the timer to:

1) OS_TMR_OPT_NONE

Do NOT call the callback function.

2) OS_TMR_OPT_CALLBACK

Call the callback function and pass it the callback argument specified when you started the timer (see OSTmrCreate()).

3) OS_TMR_OPT_CALLBACK_ARG

Call the callback function BUT pass it the callback argument specified in the OSTmrStop() function INSTEAD of the one defined in OSTmrCreate().

callback_arg

If you set opt to OS_TMR_OPT_CALLBACK_ARG then this is the argument passed to the callback function when it's executed.

perr

a pointer to an error code and can be any of the following:

OS_ERR_NONE

If the timer was started.

OS_ERR_TMR_INVALID

If you passed a NULL pointer for the ptmr argument.

OS_ERR_TMR_INVALID_TYPE

'ptmr' is not pointing to a timer.

OS_ERR_TMR_ISR

You called this function from an ISR which is NOT allowed.

OS_ERR_TMR_INVALID_OPT

You specified an invalid option for 'opt'.

OS_ERR_TMR_STOPPED

The timer was already stopped. However, this is NOT considered an actual error since it's OK to attempt to stop a timer that is already stopped.

OS_ERR_TMR_INACTIVE

ptmr is pointing to an inactive timer. In other words, you would get this error if you are pointing to a timer that has been deleted or was not created.

OS_ERR_TMR_INVALID_STATE

The timer is in an invalid state.

OS_ERR_TMR_NO_CALLBACK

If you wanted the callback to be called but no callback has been specified for this timer.

Returned Values

OS_TRUE if the timer was stopped (even if it was already stopped).

OS_FALSE if an error occurred.

Notes/Warnings

1. You should examine the return value to make sure what you get from this function is valid.
2. You **MUST NOT** call this function from an ISR.
3. The callback function is **NOT** called if the timer is already stopped.

Example

```
OS_TMR *CloseDoorTmr;

void Task (void *p_arg)
{
    INT8U    err;

    (void)p_arg;
    for (;;) {
        OSTmrStop(CloseDoorTmr,
                  OS_TMR_OPT_CALLBACK,
                  (void *)0,
                  &err);
        if (err == OS_ERR_NONE || err == OS_ERR_TMR_STOPPED) {
            /* Timer was stopped ... */
            /* ... callback was called only if timer was running */
        }
    }
}
```

OSVersion()

File	Called From	Code Enabled By
OS_CORE.C	Task or ISR	N/A

OSVersion() obtains the current version of μC/OS-II.

Arguments

None

Return Value

The version is returned as x.yy multiplied by 100. For example, version 2.52 is returned as 252.

Notes/Warnings

None

Example

```
void TaskX(void *pdata)
{
    INT16U os_version;
    for (;;) {
        .
        .
        os_version = OSVersion(); /* Obtain μC/OS-II's version */
        .
        .
    }
}
```

μC/OS-II Configuration Manual

This chapter provides a description of the configurable elements of μC/OS-II. Because μC/OS-II is provided in source form, configuration is done through a number of `#define` constants, which are found in `OS_CFG.H` and should exist for each project/product that you develop. In other words, configuration is done via conditional compilation.

Instead of creating an `OS_CFG.H` file from scratch, it is recommended that you copy and modify one of the `OS_CFG.H` files provided in one of the examples that came with μC/OS-II. `OS_CFG.H` is independent of the type of CPU used.

This section describes each of the `#define` constants in `OS_CFG.H`.

Miscellaneous

OS_APP_HOOKS_EN

When set to 1, this #define specifies that application defined hooks are called from µC/OS-II's hooks. See also OS_CPU_HOOKS_EN. Specifically:

The µC/OS-II hook...	Calls the Application-define hook...
OSTaskCreateHook()	App_TaskCreateHook()
OSTaskDelHook()	App_TaskDelHook()
OSTaskIdleHook()	App_TaskIdleHook()
OSTaskStatHook()	App_TaskStatHook()
OSTaskSwHook()	App_TaskSwHook()
OSTCBInitHook()	App_TCBInitHook()
OSTimeTickHook()	App_TimeTickHook()

OS_ARG_CHK_EN

OS_ARG_CHK_EN indicates whether you want most of µC/OS-II functions to perform argument checking. When set to 1, µC/OS-II will ensure that pointers passed to functions are non-NULL, that arguments passed are within allowable range and more. OS_ARG_CHK_EN was added to reduce the amount of code space and processing time required by µC/OS-II. Set OS_ARG_CHK_EN to 0 if you must reduce code space to a minimum. In general, you should always enable argument checking and thus set OS_ARG_CHK_EN to 1.

OS_CPU_HOOKS_EN

OS_CPU_HOOKS_EN indicates whether OS_CPU_C.C declares the hook function (when set to 1) or not (when set to 0). Recall that µC/OS-II expects the presence of nine functions that can be defined either in the port (i.e., in OS_CPU_C.C) or by the application code. These functions are:

```
OSInitHookBegin()  
OSInitHookEnd()  
OSTaskCreateHook()  
OSTaskDelHook()  
OSTaskIdleHook()  
OSTaskStatHook()  
OSTaskSwHook()
```


OSTCBInitHook()
OSTimeTickHook()

OS_DEBUG_EN

When set to 1, this #define adds ROM constants located in OS_DEBUG.C to help support kernel aware debuggers. Specifically, a number of named ROM variables can be queried by a debugger to find out about compiled-in options. For example, the debugger can find out the size of an OS_TCB, μC/OS-II's version number, the size of an event flag group (OS_FLAG_GRP) and much more.

OS_EVENT_MULTI_EN

This constant determines whether the code to support pending on multiple events will be enabled (1) or not (0). This constant thus enables code for the function OSEventPendMulti(). This #define was added in V2.86.

OS_EVENT_NAME_EN

This constant determines whether names can be assigned to either a semaphore, a mutex, a mailbox or a message queue. If OS_EVENT_NAME_EN is set to 0, this feature is disabled. You should note that need to use OSEventNameSet() to set the name of either a semaphores, a mutex, a mailbox or a message queue. You need to use OSEventNameGet() to obtain the name of either a semaphores, a mutex, a mailbox or a message queue.

OS_LOWEST_PRIO

OS_LOWEST_PRIO specifies the lowest task priority (i.e., highest number) that you intend to use in your application and is provided to reduce the amount of RAM needed by µC/OS-II. As of V2.80 µC/OS-II priorities can go from 0 (highest priority) to a maximum of 254 (lowest possible priority). Setting OS_LOWEST_PRIO to a value less than 254 means that your application cannot create tasks with a priority number higher than OS_LOWEST_PRIO. In fact, µC/OS-II reserves priorities OS_LOWEST_PRIO and OS_LOWEST_PRIO-1 for itself; OS_LOWEST_PRIO is reserved for the idle task, OS_TaskIdle(), and OS_LOWEST_PRIO-1 is reserved for the statistic task, OS_TaskStat(). The priorities of your application tasks can thus take a value between 0 and OS_LOWEST_PRIO-2 (inclusive). The lowest task priority specified by OS_LOWEST_PRIO is independent of OS_MAX_TASKS. For example, you can set OS_MAX_TASKS to 10 and OS_LOWEST_PRIO to 32 and have up to 10 application tasks, each of which can have a task priority value between 0 and 30 (inclusive). Note that each task must still have a different priority value. You must always set OS_LOWEST_PRIO to a value greater than the number of application tasks in your system. For example, if you set OS_MAX_TASKS to 20 and OS_LOWEST_PRIO to 10, you can not create more than eight application tasks (0 to 7) since priority 8 is the statistics task and priority 9 is the idle task. You are simply wasting RAM.

OS_MAX_EVENTS

OS_MAX_EVENTS specifies the maximum number of event control blocks that can be allocated. An event control block is needed for every message mailbox, message queue, mutual exclusion semaphore, or semaphore object. For example, if you have 10 mailboxes, five queues, four mutexes, and three semaphores, you must set OS_MAX_EVENTS to at least 22. OS_MAX_EVENTS must be greater than 0. See also OS_MBOX_EN, OS_Q_EN, OS_MUTEX_EN, and OS_SEM_EN.

OS_MAX_FLAGS

OS_MAX_FLAGS specifies the maximum number of event flags that you need in your application. OS_MAX_FLAGS must be greater than 0. To use event-flag services, you also need to set OS_FLAG_EN to 1.

OS_MAX_MEM_PART

OS_MAX_MEM_PART specifies the maximum number of memory partitions that your application can create. To use memory partitions, also need to set OS_MEM_EN to 1. If you intend to use memory partitions, OS_MAX_MEM_PART must be set to at least the number of partitions you wish to create. For example, by setting OS_MAX_MEM_PART to 3, you are allowed to create and use up to three memory partitions. Setting OS_MAX_MEM_PART to a number greater than the number of memory partitions your application uses will not cause problems but is unnecessary and a waste of RAM.

OS_MAX_QS

OS_MAX_QS specifies the maximum number of message queues that your application can create. To use message queues, you also must set OS_Q_EN to 1. If you intend to use message queues, OS_MAX_QS must be set to at least the number of queues you wish to create. For example, if you set OS_MAX_QS to 3, you are allowed to create and use up to three message queues. Setting OS_MAX_QS to greater than the number of message queues your application uses will not cause problems but is unnecessary and a waste of RAM.

OS_MAX_TASKS

OS_MAX_TASKS specifies the maximum number of *application* tasks that can exist in your application. Note that OS_MAX_TASKS cannot be greater than 253 (as of V2.80) because µC/OS-II currently reserves two tasks for itself (see OS_N_SYS_TASKS in uCOS_II.H). If you set OS_MAX_TASKS to the exact number of tasks in your system, you need to make sure that you revise this value when you add additional tasks. Conversely, if you make OS_MAX_TASKS much higher than your current task requirements (for future expansion), you are wasting valuable RAM.

OS_SCHED_LOCK_EN

This constant enables (when set to 1) or disables (when set to 0) code generation for the two functions OSSchedLock() and OSSchedUnlock().

OS_TICK_STEP_EN

µC/OS-View (a Micrium product that allows you to display run-time data about your tasks on a Windows-based PC) can now 'halt' µC/OS-II's tick processing and allow you to issue 'step' commands from µC/OS-View. In other words, µC/OS-View can prevent µC/OS-II from calling OSTimeTick() so that timeouts and time delays are no longer processed. However, though a keystroke from µC/OS-View, you can execute a single tick at a time. If OS_TIME_TICK_HOOK_EN (see below) is set to 1, OSTimeTickHook() is still executed at the regular tick rate in case you have time critical items to take care of in your application.

OS_TICKS_PER_SEC

OS_TICKS_PER_SEC specifies the rate at which you call OSTimeTick(). It is up to your initialization code to ensure that OSTimeTick() is invoked at this rate. This constant is used by OSStatInit(), OS_TaskStat(), and OSTimeDlyHMSM().

OS_TLS_TBL_SIZE

OS_TLS_TBL_SIZE performs two functions. By defining this #define you indicate that you desire to have Thread Local Storage (TLS) support for either the CCES tools from Analog Devices Inc (ADI) or Embedded Workbench from IAR. The value of this #define determines the number of 'elements' needed in the TLS table for the desired toolchain. Each entry is typically a pointer size variable. You should specify 5 for both tools.

Event Flags

OS_FLAG_EN

OS_FLAG_EN enables (when set to 1) or disables (when set to 0) code generation of **all the event-flag services and data structures, which reduces the amount of code and data space needed when your application does not require the use of event flags.** When OS_FLAG_EN is set to 0, you do not need to enable or disable any of the other #define constants in this section.

OS_FLAG_ACCEPT_EN

OS_FLAG_ACCEPT_EN enables (when set to 1) or disables (when set to 0) the code generation of the function OSFlagAccept().

OS_FLAG_DEL_EN

OS_FLAG_DEL_EN enables (when set to 1) or disables (when set to 0) the code generation of the function OSFlagDel().

OS_FLAG_NAME_EN

This constant determines whether names can be assigned to event flag groups. If OS_FLAG_NAME_EN is set to 0, this feature is disabled.

OS_FLAG_QUERY_EN

OS_FLAG_QUERY_EN enables (when set to 1) or disables (when set to 0) the code generation of the function OSFlagQuery().

OS_FLAG_WAIT_CLR_EN

OS_FLAG_WAIT_CLR_EN enables (when set to 1) or disables (when set to 0) the code generation used to wait for event flags to be 0 instead of 1. Generally, you want to wait for event flags to be set. However, you might also want to wait for event flags to be clear, and thus you need to enable this option.

OS_FLAGS_NBITS

OS_FLAGS_NBITS has been introduced in V2.80 and specifies the number of bits used in event flags and **MUST** be either 8, 16 or 32.

Message Mailboxes

OS_MBOX_EN

This constant enables (when set to 1) or disables (when set to 0) the code generation of **all** message-mailbox services and data structures, which reduces the amount of code space needed when your application does not require the use of message mailboxes. When `OS_MBOX_EN` is set to 0, you do not need to enable or disable any of the other `#define` constants in this section.

OS_MBOX_ACCEPT_EN

This constant enables (when set to 1) or disables (when set to 0) the code generation of the function `OSMboxAccept()`.

OS_MBOX_DEL_EN

This constant enables (when set to 1) or disables (when set to 0) the code generation of the function `OSMboxDel()`.

OS_MBOX_PEND_ABORT_EN

`OS_MBOX_PEND_ABORT_EN` enables (when set to 1) or disables (when set to 0) the code generation of the function `OSMboxPendAbort()`.

OS_MBOX_POST_EN

`OS_MBOX_POST_EN` enables (when set to 1) or disables (when set to 0) the code generation of the function `OSMboxPost()`. You can disable code generation for this function if you decide to use the more powerful function `OSMboxPostOpt()` instead.

OS_MBOX_POST_OPT_EN

`OS_MBOX_POST_OPT_EN` enables (when set to 1) or disables (when set to 0) the code generation of the function `OSMboxPostOpt()`. You can disable code generation for this function if you do not need the additional functionality provided by `OSMboxPostOpt()`. `OSMboxPost()` generates less code.

OS_MBOX_QUERY_EN

OS_MBOX_QUERY_EN enables (when set to 1) or disables (when set to 0) the code generation of the function `OSMboxQuery()`.

Memory Management

OS_MEM_EN

OS_MEM_EN enables (when set to 1) or disables (when set to 0) **all code generation of the μC/OS-II partition-memory manager and its associated data structures. This feature reduces the amount of code and data space needed when your application does not require the use of memory partitions.**

OS_MEM_NAME_EN

This constant determines whether names can be assigned to memory partitions. If OS_MEM_NAME_EN is set to 0, this feature is disabled and no RAM is used in the OS_MEM for the memory partition for storage of names.

OS_MEM_QUERY_EN

OS_MEM_QUERY_EN enables (when set to 1) or disables (when set to 0) the code generation of the function OSMemQuery().

Mutual Exclusion Semaphores

OS_MUTEX_EN

OS_MUTEX_EN enables (when set to 1) or disables (when set to 0) the code generation of **all mutual-exclusion-semaphore services and data structures, which reduces the amount of code and data space needed when your application does not require the use of mutexes.** **When** OS_MUTEX_EN is set to 0, you do not need to enable or disable any of the other #define constants in this section.

OS_MUTEX_ACCEPT_EN

OS_MUTEX_ACCEPT_EN enables (when set to 1) or disables (when set to 0) the code generation of the function OSMutexAccept().

OS_MUTEX_DEL_EN

OS_MUTEX_DEL_EN enables (when set to 1) or disables (when set to 0) the code generation of the function OSMutexDel().

OS_MUTEX_QUERY_EN

OS_MUTEX_QUERY_EN enables (when set to 1) or disables (when set to 0) the code generation of the function OSMutexQuery().

Message Queues

OS_Q_EN

OS_Q_EN enables (when set to 1) or disables (when set to 0) the code generation of **all message-queue services and data structures, which reduces the amount of code space needed when your application does not require the use of message queues.** When OS_Q_EN is set to 0, you do not need to enable or disable any of the other #define constants in this section. Note that if OS_Q_EN is set to 0, the #define constant OS_MAX_QS is irrelevant.

OS_Q_ACCEPT_EN

OS_Q_ACCEPT_EN enables (when set to 1) or disables (when set to 0) the code generation of the function OSQAccept().

OS_Q_DEL_EN

OS_Q_DEL_EN enables (when set to 1) or disables (when set to 0) the code generation of the function OSQDel().

OS_Q_FLUSH_EN

OS_Q_FLUSH_EN enables (when set to 1) or disables (when set to 0) the code generation of the function OSQFlush().

OS_Q_PEND_ABORT_EN

OS_Q_PEND_ABORT_EN enables (when set to 1) or disables (when set to 0) the code generation of the function OSQPendAbort().

OS_Q_POST_EN

OS_Q_POST_EN enables (when set to 1) or disables (when set to 0) the code generation of the function OSQPost(). You can disable code generation for this function if you decide to use the more powerful function OSQPostOpt() instead.

OS_Q_POST_FRONT_EN

OS_Q_POST_FRONT_EN enables (when set to 1) or disables (when set to 0) the code generation of the function OSQPostFront(). You can disable code generation for this function if you decide to use the more powerful function OSQPostOpt() instead.

OS_Q_POST_OPT_EN

OS_Q_POST_OPT_EN enables (when set to 1) or disables (when set to 0) the code generation of the function OSQPostOpt(). You can disable code generation for this function if you do not need the additional functionality provided by OSQPostOpt(). OSQPost() generates less code.

OS_Q_QUERY_EN

OS_Q_QUERY_EN enables (when set to 1) or disables (when set to 0) the code generation of the function OSQQuery().

Semaphores

OS_SEM_EN

OS_SEM_EN enables (when set to 1) or disables (when set to 0) **all code generation of the µC/OS-II semaphore manager and its associated data structures, which reduces the amount of code and data space needed when your application does not require the use of semaphores.** When OS_SEM_EN is set to 0, you do not need to enable or disable any of the other #define constants in this section.

OS_SEM_ACCEPT_EN

OS_SEM_ACCEPT_EN enables (when set to 1) or disables (when set to 0) the code generation of the function `OSSemAccept()`.

OS_SEM_DEL_EN

OS_SEM_DEL_EN enables (when set to 1) or disables (when set to 0) the code generation of the function `OSSemDel()`.

OS_SEM_PEND_ABORT_EN

OS_SEM_PEND_ABORT_EN enables (when set to 1) or disables (when set to 0) the code generation of the function `OSSemPendAbort()`.

OS_SEM_QUERY_EN

OS_SEM_QUERY_EN enables (when set to 1) or disables (when set to 0) the code generation of the function `OSSemQuery()`.

OS_SEM_SET_EN

OS_SEM_SET_EN enables (when set to 1) or disables (when set to 0) the code generation of the function `OSSemSet()`.

Task Management

OS_TASK_TMR_STK_SIZE

OS_TASK_TMR_STK_SIZE specifies the size of the µC/OS-II timer task stack. The size is specified not in bytes but in number of elements. This is because a stack is declared to be of type OS_STK. The size of the timer-task stack depends on the processor you are using, the 'callback' functions that will be executed when each of the timer times out and the deepest anticipated interrupt-nesting level.

OS_TASK_STAT_STK_SIZE

OS_TASK_STAT_STK_SIZE specifies the size of the µC/OS-II statistic-task stack. The size is specified not in bytes but in number of elements. This is because a stack is declared as being of type OS_STK. The size of the statistic-task stack depends on the processor you are using and the maximum of the following actions:

- The stack growth associated with performing 32-bit arithmetic (subtraction and division)
- The stack growth associated with calling OSTimeDly()
- The stack growth associated with calling OSTaskStatHook()
- The deepest anticipated interrupt-nesting level

If you want to run stack checking on this task and determine its actual stack requirements, you must enable code generation for OSTaskCreateExt() by setting OS_TASK_CREATE_EXT_EN to 1. Again, the priority of OS_TaskStat() is always set to OS_LOWEST_PRIO-1.

OS_TASK_IDLE_STK_SIZE

OS_TASK_IDLE_STK_SIZE specifies the size of the µC/OS-II idle-task stack. The size is specified not in bytes but in number of elements. This is because a stack is declared to be of type OS_STK. The size of the idle-task stack depends on the processor you are using and the deepest anticipated interrupt-nesting level. Very little is being done in the idle task, but you should allow at least enough space to store all processor registers on the stack and enough storage to handle all nested interrupts.

OS_TASK_CHANGE_PRIO_EN

OS_TASK_CHANGE_PRIO_EN enables (when set to 1) or disables (when set to 0) the code generation of the function OSTaskChangePrio(). If your application never changes task priorities after they are assigned, you can reduce the amount of code space used by µC/OS-II by setting OS_TASK_CHANGE_PRIO_EN to 0.

OS_TASK_CREATE_EN

OS_TASK_CREATE_EN enables (when set to 1) or disables (when set to 0) the code generation of the OSTaskCreate() function. Enabling this function makes µC/OS-II backward compatible with the µC/OS task-creation function. If your application always uses OSTaskCreateExt() (recommended), you can reduce the amount of code space used by µC/OS-II by setting OS_TASK_CREATE_EN to 0. Note that you must set at least OS_TASK_CREATE_EN or OS_TASK_CREATE_EXT_EN to 1. If you wish, you can use both.

OS_TASK_CREATE_EXT_EN

OS_TASK_CREATE_EXT_EN enables (when set to 1) or disables (when set to 0) the code generation of the function OSTaskCreateExt(), which is the extended, more powerful version of the two task-creation functions. If your application never uses OSTaskCreateExt(), you can reduce the amount of code space used by µC/OS-II by setting OS_TASK_CREATE_EXT_EN to 0. Note that you need the extended task-create function to use the stack-checking function OSTaskStkChk().

OS_TASK_DEL_EN

OS_TASK_DEL_EN enables (when set to 1) or disables (when set to 0) code generation of the function OSTaskDel(), which deletes tasks. If your application never uses this function, you can reduce the amount of code space used by µC/OS-II by setting OS_TASK_DEL_EN to 0.

OS_TASK_NAME_EN

This constant determines whether you can assign names to tasks. If OS_TASK_NAME_EN is set to 0, this feature is disabled and no RAM is used in the OS_TCB for the task name.

OS_TASK_PROFILE_EN

This constant allows variables to be allocated in each task's OS_TCB that hold performance data about each task. Specifically, if OS_TASK_PROFILE_EN is set to 1, each task will have a variable to keep track of the number of context switches, the task execution time, the number of bytes used by the task and more.

OS_TASK_QUERY_EN

OS_TASK_QUERY_EN enables (when set to 1) or disables (when set to 0) code generation of the function OSTaskQuery(), which allows your application to get a snapshot of a current task's OS_TCB. If your application never uses this function, you can reduce the amount of code space used by µC/OS-II by setting OS_TASK_QUERY_EN to 0.

OS_TASK_STAT_EN

OS_TASK_STAT_EN specifies whether or not you can enable the µC/OS-II statistic task, as well as its initialization function. When set to 1, the statistic task OS_TaskStat() and the statistic-task-initialization function are enabled. OS_TaskStat() computes the CPU usage of your application. When enabled, it executes every second and computes the 8-bit variable OSCPUUsage, which provides the percentage of CPU use of your application. OS_TaskStat() calls OSTaskStatHook() every time it executes so that you can add your own statistics as needed. See OS_CORE.C for details on the statistic task. The priority of OS_TaskStat() is always set to OS_LOWEST_PRIO-1.

The global variables OSCPUUsage, OSIdleCtrMax, OSIdleCtrRun, OSTaskStatStk[], and OSStatRdy are not declared when OS_TASK_STAT_EN is set to 0, which reduces the amount of RAM needed by µC/OS-II if you don't intend to use the statistic task. OSIdleCtrRun contains a snapshot of OSIdleCtr just before OSIdleCtr is cleared to zero every second. OSIdleCtrRun is not used by µC/OS-II for any other purpose. However, you can read and display OSIdleCtrRun if needed.

OS_TASK_STAT_STK_CHK_EN

This constant allows the statistic task to determine the actual stack usage of each active task. If `OS_TASK_STAT_EN` is set to 0 (the statistic task is not enabled) but, you can call `OS_TaskStatStkChk()` yourself from one of your tasks. If `OS_TASK_STAT_EN` is set to 1, stack sizes will be determined every second by the statistic task.

OS_TASK_SUSPEND_EN

`OS_TASK_SUSPEND_EN` enables (when set to 1) or disables (when set to 0) code generation of the functions `OSTaskSuspend()` and `OSTaskResume()`, which allows you to explicitly suspend and resume tasks, respectively. If your application never uses these functions, you can reduce the amount of code space used by µC/OS-II by setting `OS_TASK_SUSPEND_EN` to 0.

OS_TASK_SW_HOOK_EN

Normally, µC/OS-II requires that you have a context switch hook function called `OSTaskSwHook()`. When set to 0, this constant allows you to omit `OSTaskSwHook()` from your code. This configuration constant was added to reduce the amount of overhead during a context switch in applications that doesn't require the context switch hook. Of course, you will also need to remove the calls to `OSTaskSwHook()` from `OSTaskStartHighRdy()`, `OSCtxSw()` and `OSIntCtxSw()` in `OS_CPU_A.ASM`.

OS_TASK_TMR_PRIO (APP_CFG.H)

`OS_TASK_TMR_PRIO` specifies the priority of the timer management task. You can set the priority of the timer task to anything you want. Note that timer callback functions are executed by the timer task. `OS_TASK_TMR_PRIO` needs to be set in your application file called `APP_CFG.H`.

Time Management

OS_TIME_DLY_HMSM_EN

OS_TIME_DLY_HMSM_EN enables (when set to 1) or disables (when set to 0) the code generation of the function OSTimeDlyHMSM(), which is used to delay a task for a specified number of hours, minutes, seconds, and milliseconds.

OS_TIME_DLY_RESUME_EN

OS_TIME_DLY_RESUME_EN enables (when set to 1) or disables (when set to 0) the code generation of the function OSTimeDlyResume().

OS_TIME_GET_SET_EN

OS_TIME_GET_SET_EN enables (when set to 1) or disables (when set to 0) the code and data generation of the functions OSTimeGet() and OSTimeSet(). If you don't need to use the 32-bit tick counter OSTime, then you can save yourself 4 bytes of data space and code space by not having the code for these functions generated by the compiler.

OS_TIME_TICK_HOOK_EN

Normally, µC/OS-II requires the presence of a function called OSTimeTickHook() which is called at the very beginning of the tick ISR. When set to 0, this constant allows you to omit OSTimeTickHook() from your code. This configuration constant was added to reduce the amount of overhead during a tick ISR in applications that doesn't require this hook.

Timer Management

Note that timer management requires semaphores and thus, you need to set `OS_SEM_EN` to 1.

OS_TMR_EN

Enables (when set to 1) or disables (when set to 0) the code generation of the timer management services.

OS_TMR_CFG_MAX

Determines the maximum number of timers you can have in your application. Depending on the amount of RAM available in your product, you can have hundreds or even thousands of timers (max. is 65500). 36 entries are reserved.

OS_TMR_CFG_NAME_EN

This constant determines whether names can be assigned to timers. If `OS_TMR_CFG_NAME_EN` is set to 0, this feature is disabled and no RAM is used in the `OS_TMR` for the timer name.

OS_TMR_CFG_WHEEL_SIZE

Timers are updated using a rotating wheel. This 'wheel' allows to reduce the number of timers that need to be updated by the timer manager task. The size of the wheel should be a fraction of the number of timers you have in your application. In other words:

```
OS_TMR_CFG_WHEEL_SIZE <= OS_TMR_CFG_MAX
```

This value should be a number between 2 and 1024. Timer management overhead is somewhat determined by the size of the wheel. A large number of entries might reduce the overhead for timer management but would require more RAM. Each entry requires a pointer and a count (16-bit value). We recommend a number that is NOT a multiple of the tick rate. If your application has many timers then it's recommended that you have a high value. As a starting value, you could use `OS_TMR_CFG_MAX / 4`.

OS_TMR_CFG_TICKS_PER_SEC

This configuration constant determines the rate at which timers are updated (in Hz). Timer updates should be done at a fraction of the tick rate (i.e. OS_TICKS_PER_SEC). We recommend that you update timers at 10 Hz.

Function Summary

Table 17.1 lists each µC/OS-II function by type (**Service**), indicates which variables enable the code (**Set to 1**), and lists other configuration constants that affect the function (**Other Constants**).

Of course, OS_CFG.H must be included when µC/OS-II is built, in order for the desired configuration to take effect.

Table 17.1 µC/OS-II functions and #define configuration constants.

Miscellaneous

Service	Set to 1	Other Constants
Thread Local Storage (TLS)	OS_TLS_TBL_SIZE (set to 5)	N/A
OSEventNameGet()	OS_EVENT_NAME_EN	N/A
OSEventNameSet()	OS_EVENT_NAME_EN	N/A
OSEventPendMulti()	OS_EVENT_MULTI_EN	
OSInit()	N/A	OS_MAX_EVENTS OS_Q_EN and OS_MAX_QS OS_MEM_EN OS_TASK_IDLE_STK_SIZE OS_TASK_STAT_EN OS_TASK_STAT_STK_SIZE
OSSafetyCriticalStart()	OS_SAFETY_CRITICAL_IEC61508	
OSSchedLock()	OS_SCHED_LOCK_EN	N/A
OSSchedUnlock()	OS_SCHED_LOCK_EN	N/A
OSStart()	N/A	N/A
OSStatInit()	OS_TASK_STAT_EN && OS_TASK_CREATE_EXT_EN	OS_TICKS_PER_SEC
OSVersion()	N/A	N/A

Interrupt Management

Service	Set to 1	Other Constants
OSIntEnter()	N/A	N/A
OSIntExit()	N/A	N/A

Event Flags

Service	Set to 1	Other Constants
OSFlagAccept()	OS_FLAG_EN	OS_FLAG_ACCEPT_EN
OSFlagCreate()	OS_FLAG_EN	OS_MAX_FLAGS
OSFlagDel()	OS_FLAG_EN	OS_FLAG_DEL_EN
OSFlagNameGet()	OS_FLAG_EN	OS_FLAG_NAME_EN
OSFlagNameSet()	OS_FLAG_EN	OS_FLAG_NAME_EN
OSFlagPend()	OS_FLAG_EN	OS_FLAG_WAIT_CLR_EN
OSFlagPost()	OS_FLAG_EN	N/A
OSFlagQuery()	OS_FLAG_EN	OS_FLAG_QUERY_EN

Message Mailboxes

Service	Set to 1	Other Constants
OSMboxAccept()	OS_MBOX_EN	OS_MBOX_ACCEPT_EN
OSMboxCreate()	OS_MBOX_EN	OS_MAX_EVENTS
OSMboxDel()	OS_MBOX_EN	OS_MBOX_DEL_EN
OSMboxPend()	OS_MBOX_EN	N/A
OSMboxPendAbort()	OS_MBOX_EN	OS_MBOX_PEND_ABORT_EN
OSMboxPost()	OS_MBOX_EN	OS_MBOX_POST_EN
OSMboxPostOpt()	OS_MBOX_EN	OS_MBOX_POST_OPT_EN
OSMboxQuery()	OS_MBOX_EN	OS_MBOX_QUERY_EN

Memory Partition Management

Service	Set to 1	Other Constants
OSMemCreate()	OS_MEM_EN	OS_MAX_MEM_PART
OSMemGet()	OS_MEM_EN	N/A
OSMemNameGet()	OS_MEM_EN	OS_MEM_NAME_EN
OSMemNameSet()	OS_MEM_EN	OS_MEM_NAME_EN
OSMemPut()	OS_MEM_EN	N/A
OSMemQuery()	OS_MEM_EN	OS_MEM_QUERY_EN

Mutex Management

Service	Set to 1	Other Constants
OSMutexAccept()	OS_MUTEX_EN	OS_MUTEX_ACCEPT_EN
OSMutexCreate()	OS_MUTEX_EN	OS_MAX_EVENTS
OSMutexDel()	OS_MUTEX_EN	OS_MUTEX_DEL_EN
OSMutexPend()	OS_MUTEX_EN	N/A
OSMutexPost()	OS_MUTEX_EN	N/A
OSMutexQuery()	OS_MUTEX_EN	OS_MUTEX_QUERY_EN

Message Queues

Service	Set to 1	Other Constants
OSQAccept()	OS_Q_EN	OS_Q_ACCEPT_EN
OSQCreate()	OS_Q_EN	OS_MAX_EVENTS OS_MAX_QS
OSQDel()	OS_Q_EN	OS_Q_DEL_EN
OSQFlush()	OS_Q_EN	OS_Q_FLUSH_EN
OSQPend()	OS_Q_EN	N/A
OSQPendAbort()	OS_Q_EN	OS_Q_PEND_ABORT_EN
OSQPost()	OS_Q_EN	OS_Q_POST_EN
OSQPostFront()	OS_Q_EN	OS_Q_POST_FRONT_EN
OSQPostOpt()	OS_Q_EN	OS_Q_POST_OPT_EN
OSQQuery()	OS_Q_EN	OS_Q_QUERY_EN

Semaphore Management

Service	Set to 1	Other Constants
OSSemAccept()	OS_SEM_EN	OS_SEM_ACCEPT_EN
OSSemCreate()	OS_SEM_EN	OS_MAX_EVENTS
OSSemDel()	OS_SEM_EN	OS_SEM_DEL_EN
OSSemPend()	OS_SEM_EN	N/A
OSSemPendAbort()	OS_SEM_EN	OS_SEM_PEND_ABORT_EN
OSSemPost()	OS_SEM_EN	N/A
OSSemQuery()	OS_SEM_EN	OS_SEM_QUERY_EN
OSSemSet()	OS_SEM_EN	OS_SEM_SET_EN

Task Management

Service	Set to 1	Other Constants
OSTaskChangePrio()	OS_TASK_CHANGE_PRIO_EN	OS_LOWEST_PRIO
OSTaskCreate()	OS_TASK_CREATE_EN	OS_MAX_TASKS
OSTaskCreateExt()	OS_TASK_CREATE_EXT_EN	OS_MAX_TASKS OS_TASK_STK_CLR
OSTaskDel()	OS_TASK_DEL_EN	OS_MAX_TASKS
OSTaskDelReq()	OS_TASK_DEL_EN	OS_MAX_TASKS
OSTaskRegGet()	OS_TASK_REG_TBL_SIZE	N/A
OSTaskRegGetID()	OS_TASK_REG_TBL_SIZE	N/A
OSTaskRegSet()	OS_TASK_REG_TBL_SIZE	N/A
OSTaskResume()	OS_TASK_SUSPEND_EN	OS_MAX_TASKS
OSTaskNameGet()	OS_TASK_NAME_EN	N/A
OSTaskNameSet()	OS_TASK_NAME_EN	N/A
OSTaskStkChk()	OS_TASK_CREATE_EXT_EN	OS_MAX_TASKS
OSTaskSuspend()	OS_TASK_SUSPEND_EN	OS_MAX_TASKS
OSTaskQuery()	OS_TASK_QUERY_EN	OS_MAX_TASKS
OS_TaskStatStkChk()	OS_TASK_STAT_STK_CHK_EN	N/A

Time Management

Service	Set to 1	Other Constants
OSTimeDly()	N/A	N/A
OSTimeDlyHMSM()	OS_TIME_DLY_HMSM_EN	OS_TICKS_PER_SEC
OSTimeDlyResume()	OS_TIME_DLY_RESUME_EN	OS_MAX_TASKS
OSTimeGet()	OS_TIME_GET_SET_EN	N/A
OSTimeSet()	OS_TIME_GET_SET_EN	N/A
OSTimeTick()	N/A	N/A

Timer Management

Service	Set to 1	Other Constants
OSTmrCreate()	OS_TMR_EN	N/A
OSTmrDel()	OS_TMR_EN	N/A
OSTmrNameGet()	OS_TMR_EN && OS_TMR_CFG_NAME_EN	N/A
OSTmrRemainGet()	OS_TMR_EN	N/A
OSTmrStart()	OS_TMR_EN	N/A
OSTmrStop()	OS_TMR_EN	N/A
OSTmrSignal()	OS_TMR_EN	OS_TMR_CFG_TICKS_PER_SEC

User-Defined Functions

Service	Set to 1	Other Constants
OSTaskCreateHook()	OS_CPU_HOOKS_EN	N/A
OSTaskDelHook()	OS_CPU_HOOKS_EN	N/A
OSTaskStatHook()	OS_CPU_HOOKS_EN	N/A
OSTaskSwHook()	OS_CPU_HOOKS_EN	OS_TASK_SW_HOOK_EN
OSTimeTickHook()	OS_CPU_HOOKS_EN	OS_TIME_TICK_HOOK_EN

PC Services

The code in this user manual was tested on a PC. It was convenient to create a number of services (i.e., functions) to access some of the capabilities of a PC. These services are invoked from the test code and are encapsulated in a file called `PC.C`. Since industrial PCs are so popular as embedded system platforms the functions provided in this chapter could be of some use to you. These services assume that you are running under DOS or a DOS box under Windows 95/98/NT or 2000. You should note that under these environments, you have an emulated DOS and not an actual one (i.e., a Virtual x86 session). The behavior of some functions may be altered because of this.

The files `PC.C` and `PC.H` are found in the `\SOFTWARE\BLOCKS\PC\BC45` directory. These functions encapsulate services that are available on a PC. This allows you to easily adapt the code to a different compiler. `PC.C` basically contains three types of services: character based display, elapsed time measurement and, miscellaneous. All functions start with the prefix `PC_`.

Character Based Display

`PC.C` provides services to display ASCII (and special) characters on a PC's VGA display. In normal mode (i.e., character mode), a PC's display can hold up to 2000 characters organized as 25 rows (i.e., Y) by 80 columns (i.e., X) as shown in figure 20-1. Please disregard the aspect ratio of the figure. The actual aspect ratio of a monitor is generally 4 x 3. Video memory on a PC is *memory mapped* and, on a VGA monitor, video memory starts at absolute memory location `0x000B8000` (or using a segment:offset notation, `B800:0000`).

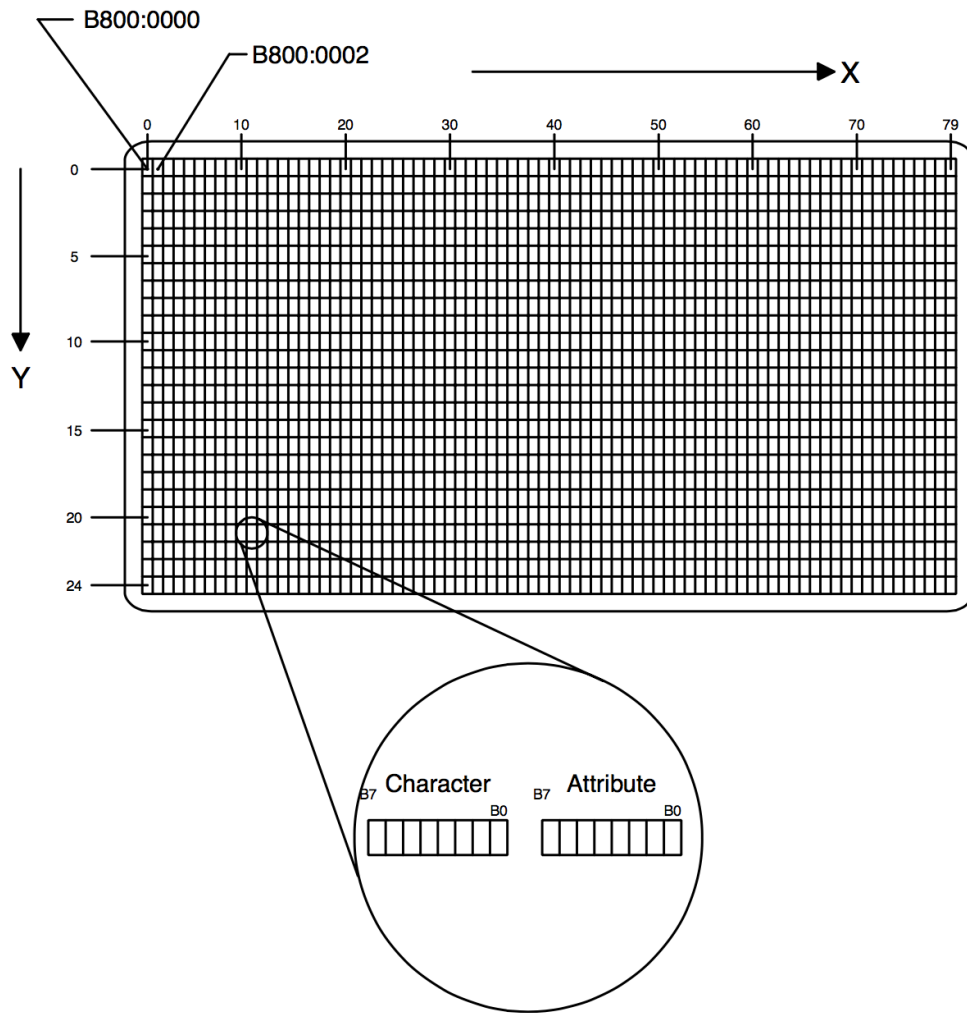


Figure - Figure 20-1, 80 x 25 characters on a VGA monitor

Each displayable *character* requires two bytes to display. The first byte (lowest memory location) is the character that you want to display while the second byte (next memory location) is an attribute that determines the foreground/background color combination of the character. The foreground color is specified in the lower 4 bits of the attribute while the background color appears in bits 4 to 6. Finally, the most-significant bit determines whether the character will blink (when 1) or not (when 0). The character and attribute bytes are shown in figure 20-2.

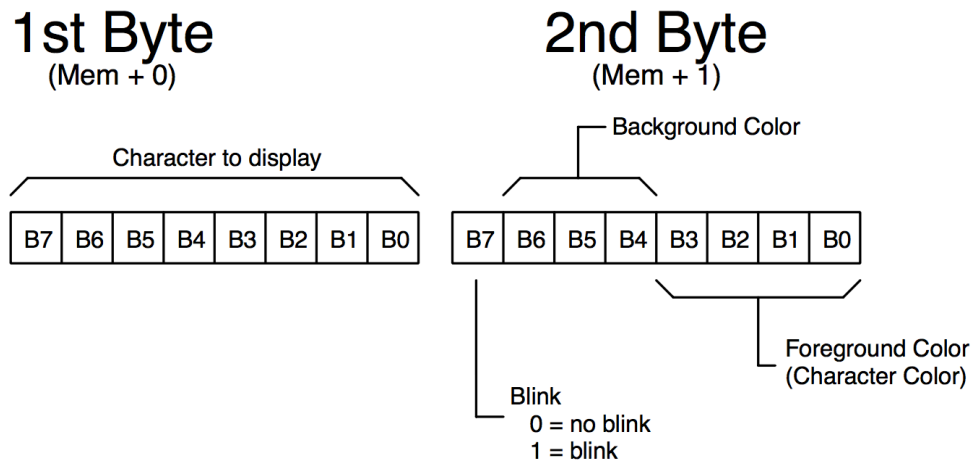


Figure - Figure 20-2, Character and attribute bytes on a VGA monitor

The tables below show the possible colors that can be obtained from the PC's VGA character mode.

Blink (B7)

Blink?	#define	Hex
No		0x00
Yes	DISP_BLINK	0xB0

Background Color (B6 BS B4)

Color	#define	Hex
Black	DISP_BGND_BLACK	0x00
Blue	DISP_BGND_BLUE	0x10
Green	DISP_BGND_GREEN	0x20
Cyan	DISP_BGND_CYAN	0x30
Red	DISP_BGND_RED	0x40
Purple	DISP_BGND_PURPLE	0x50
Brown	DISP_BGND_BROWN	0x60
Light Gray	DISP_BGND_LIGHT_GRAY	0x70

Foreground Color (B3 B2 B1 B0)

Color	#define	Hex
Black	DISP_FGND_BLACK	0x00
Blue	DISP_FGND_BLUE	0x01
Green	DISP_FGND_GREEN	0x02
Cyan	DISP_FGND_CYAN	0x03
Red	DISP_FGND_RED	0x04
Purple	DISP_FGND_PURPLE	0x05
Brown	DISP_FGND_BROWN	0x06
Light Gray	DISP_FGND_LIGHT_GRAY	0x07
Dark Gray	DISP_FGND_DARK_GRAY	0x0B
Light Blue	DISP_FGND_LIGHT_BLUE	0x09
Light Green	DISP_FGND_LIGHT_GREEN	0x0A
Light Cyan	DISP_FGND_LIGHT_CYAN	0x0B
Light Red	DISP_FGND_LIGHT_RED	0x0C
Light Purple	DISP_FGND_LIGHT_PURPLE	0x0D
Yellow	DISP_FGND_YELLOW	0x0E
White	DISP_FGND_WHITE	0x0F

You will note that you can only have 8 possible background colors but a choice of 16 foreground colors. PC.H contains #defines which allow you to select the proper combination of foreground and background colors. These #defines are shown in Table 20-1. For example, to obtain a non-blinking WHITE character on a BLACK background, you would simply add DISP_FGND_WHITE and DISP_BGND_BLACK (FGND means foreground and BGND is background). This corresponds to a HEX value of 0x07 which happens to be the default video attribute of a displayable character on a PC. You should note that because DISP_BGND_BLACK has a value of 0x00, you don't actually need to specify it and thus, the attribute for the same WHITE character could just as well have been specified as DISP_FGND_WHITE. You should use the #define constants instead of the HEX values to make your code more readable.

The display functions in PC.C are used to write ASCII (and special) characters anywhere on the screen using X and Y coordinates. The coordinate system of the display is shown in Figure 20-1. You should note that position 0,0 is located at the upper left corner as opposed to the

bottom left corner as you may have expected. This makes the computation of the location of each character to display easier to determine. The address in video memory for any character on the screen is given by:

$$\text{Address of Character} = 0x000B8000 + Y * 160 + X * 2$$

The address of the attribute byte is at the next memory location or:

$$\text{Address of Attribute} = 0x000B8000 + Y * 160 + X * 2 + 1$$

The display functions provided in PC.C perform direct writes to video RAM even though BIOS (Basic Input Output System) services in most PC can do the same thing but in a portable fashion. I chose to write directly to video memory for performance reasons.

PC.C contains the following five functions which are further described in the interface section of this chapter.

PC_Dispatch()	To display a single ASCII character anywhere on the screen
PC_DispatchCol()	To clear a single column
PC_DispatchRow()	To clear a single row (or line)
PC_DispatchScr()	To clear the screen
PC_DispatchStr()	To display an ASCII string anywhere on the screen

Saving and Restoring DOS's Context

The current DOS environment is saved by calling PC_DOSSaveReturn (see listing 18.1) and would be called by main to:

1. Setup µC/OS-II's context switch vector
2. Setup the tick ISR vector
3. Save DOS's context so that we can return back to DOS when we need to terminate execution of a µC/OS-II based application

A lot happens in PC_DOSSaveReturn() so you may need to look at the code in listing 18.1 to follow along.

```
void PC_DOSSaveReturn (void)
{
    PC_ExitFlag = FALSE;           (1)
    OSTickDOSCtr = 1;             (2)
    PC_TickISR = PC_VectGet(VECT_TICK); (3)

    OS_ENTER_CRITICAL();
    PC_VectSet(VECT_DOS_CHAIN, PC_TickISR); (4)
    OS_EXIT_CRITICAL();

    setjmp(PC_JumpBuf);           (5)
    if (PC_ExitFlag == TRUE) {
        OS_ENTER_CRITICAL();
        PC_SetTickRate(18);       (6)
        PC_VectSet(VECT_TICK, PC_TickISR); (7)
        OS_EXIT_CRITICAL();
        PC_DispClrScr(DISP_FGND_WHITE + DISP_BGND_BLACK); (8)
        exit(0);                  (9)
    }
}
```

Listing - Listing 18.1, Saving the DOS environment.

- (1) PC_DOSSaveReturn starts by setting the flag PC_ExitFlag to FALSE indicating that we are not returning to DOS.
- (2) Then, PC_DOSSaveReturn initializes OSTickDOSCtr to 1 because this variable will be decremented in OSTickISR. A value of 0 would have caused this value to wrap around to 255 when decremented by OSTickISR.
- (3)
- (4) PC_DOSSaveReturn then saves DOS's tick handler in a free vector table entry so it can be called by µC/OS-II's tick handler (this is called *chaining* the vectors).
- (5) Next, PC_DOSSaveReturn calls setjmp, which captures the state of the processor (i.e., the contents of all important registers) into a structure called PC_JumpBuf. Capturing the processor's context will allow us to return to PC_DOSSaveReturn and execute the code immediately following the call to setjmp. Because PC_ExitFlag was initialized to FALSE [see L18.1(1)], PC_DOSSaveReturn skips the code in the if statement and returns to the caller (i.e., main).
- (5) This brings the processor back in PC_DOSSaveReturn (just after the call to setjmp).

This time, however, PC_ExitFlag is TRUE and the code following the if statement is

executed.

(7)

(8)

- (9) PC_DOSReturn changes the tick rate back to 18.2 Hz, restores the PC's tick ISR handler, clears the screen and returns to the DOS prompt through the exit(0) function.

```
void PC_DOSReturn (void)
{
    PC_ExitFlag = TRUE;           (1)
    longjmp(PC_JumpBuf, 1);      (2)
}
```

Listing - Listing 18.2, Setting up to return to DOS.

(1)

- (2) When you want to return to DOS, all you have to do is call PC_DOSReturn (see listing 18.2) which sets PC_ExitFlag to TRUE and execute a longjmp.

Elapsed Time Measurement

The elapsed time measurement functions are used to determine how much time a function takes to execute. Time measurement is performed by using the PC's 82C54 timer #2. You make time measurement by wrapping the code to measure by the two functions PC_ElapsedStart and PC_ElapsedStop. However, before you can use these two functions, you need to call the function PC_ElapsedInit. PC_ElapsedInit basically computes the overhead associated with the other two functions. This way, the execution time (in microseconds) returned by PC_ElapsedStop consist exclusively of the code you are measuring. Note that none of these functions are reentrant and thus, you must be careful that you do not invoke them from multiple tasks at the same time. .

Miscellaneous

`PC_GetDateTime` is a function that obtains the PC's current date and time, and formats this information into an ASCII string. The format is:

```
"YYYY-MM-DD HH:MM:SS"
```

and you will need at least 21 characters (including the NUL character) to hold this string. You should note that there are 2 spaces between the date and the time which explains why you need 21 characters instead of 20. `PC_GetDateTime` uses the Borland C/C++ library functions `gettime` and `getdate` which should have their equivalent on other DOS compilers.

`PC_GetKey` is a function that checks to see if a key was pressed and if so, obtains that key, and returns it to the caller. `PC_GetKey` uses the Borland C/C++ library functions `kbhit` and `getch` which again, have their equivalent on other DOS compilers.

`PC_SetTickRate` allows you to change the tick rate for µC/OS-II by specifying the desired frequency. Under DOS, a tick occurs 18.20648 times per second or, every 54.925 mS. This is because the 82C54 chip used didn't get its counter initialized and the default value of 65535 takes effect. Had the chip been initialized with a divide by 59659, the tick rate would have been a very nice 20.000 Hz! I decided to change the tick rate to something more 'exciting' and thus, decided to use about 200 Hz (actually 199.9966). The code found in `OS_CPU_A.0` calls the DOS tick handler one time out of 11. This is done to ensure that some of the housekeeping needed in DOS is maintained. You would not need to do this if you were to set the tick rate to 20 Hz. Before returning to DOS, `PC_SetTickRate` is called by specifying 18 as the desired frequency. `PC_SetTickRate` will know that you actually mean 18.2 Hz and will correctly set the 82C54.

The last two functions in `PC.C` are used to get and set an interrupt vector. `PC_VectGet` and `PC_VectSet` should be compiler independent as long as the compiler support the macros `MK_FP` (make far pointer), `FP_OFF` (get the offset portion of a far pointer) and, `FP_SEG` (get the segment of a far pointer).

Interface Functions

This section provides a reference section for the PC services.

PC_DispChar()

```
void PC_DispChar(INT8U x, INT8U y, INT8U c, INT8U color)
```

PC_DispChar allows you to display a single ASCII (or special) character anywhere on the display.

Arguments

x and *y* specifies the coordinates (col, row) where the character will appear. rows (i.e., lines) are numbered from 0 to DISP_MAX_Y - 1, and columns are numbered from 0 to DISP_MAX_X - 1 (see PC.C).

c is the character to display. You can specify any ASCII characters and special characters if *c* has a value higher than 128. You can see what characters (i.e., symbols) will be displayed based on the value of *c* by running the test code provided in this book as follows:

```
C:\SOFTWARE\BLOCKS\SAMPLE\TEST > TEST display
```

color specifies the contents of the attribute byte and thus the color combination of the character to be displayed. You can add one DISP_FGND_??? (see PC.H) and one DISP_BGND_??? (see PC.H) to obtain the desired color combination.

Returned Value

NONE

Notes/Warnings

NONE

Example

```
void Task (void *pdata)
{
    .
    .
    for (;;) {
        .
        PC_DispChar(0, 0, '$', DISP_FGND_WHITE);
        .
        .
    }
}
```

PC_DisPClrCol()

```
void PC_DisPClrCol(INT8U x, INT8U color)
```

PC_DisPClrCol allows you to clear the contents of a column (all 25 characters).

Arguments

x specifies which column will be cleared. Columns are numbered from 0 to DISP_MAX_X - 1 (see PC.C).

color specifies the contents of the attribute byte. Because the character used to clear a column is the space character (i.e., ' '), only the background color will appear. You can thus specify any of the DISP_BGND_??? colors.

Returned Value

NONE

Notes/Warnings

NONE

Example

```
void Task (void *pdata)
{
    .
    .
    for (;;) {
        .
        PC_DisPClrCol(0, DISP_BGND_BLACK);
        .
        .
    }
}
```

PC_DisPClrRow()

```
void PC_DisPClrRow(INT8U y, INT8U color)
```

PC_DisPClrRow allows you to clear the contents of a row (all 80 characters).

Arguments

y specifies which row (i.e., line) will be cleared. Rows are numbered from 0 to DISP_MAX_Y - 1 (see PC.C).

color specifies the contents of the attribute byte. Because the character used to clear a row is the space character (i.e., ' '), only the background color will appear. You can thus specify any of the DISP_BGND_??? colors.

Returned Value

NONE

Notes/Warnings

NONE

Example

```
void Task (void *pdata)
{
    .
    .
    for (;;) {
        .
        PC_DisPClrRow(10, DISP_BGND_BLACK);
        .
        .
    }
}
```

PC_DisPClrScr()

```
void PC_DisPClrScr(INT8U color)
```

PC_DisPClrScr allows you to clear the entire display.

Arguments

color specifies the contents of the attribute byte. Because the character used to clear the screen is the space character (i.e., ' '), only the background color will appear. You can thus specify any of the DISP_BGND_??? colors.

Returned Value

NONE

Notes/Warnings

You should use DISP_FGND_WHITE instead of DISP_BGND_BLACK because you don't want to leave the attribute field with black on black.

Example

```
void Task (void *pdata)
{
    .
    .
    PC_DisPClrScr(DISP_FGND_WHITE);
    for (;;) {
        .
        .
        .
    }
}
```

PC_DispStr()

```
void PC_DispStr(INT8U x, INT8U y, INT8U *s, INT8U color)
```

PC_DispStr allows you to display an ASCII string. In fact, you could display an array containing any of 255 characters as long as the array itself is NUL terminated.

Arguments

x and y specifies the coordinates (col, row) where the first character will appear. rows (i.e., lines) are numbered from 0 to DISP_MAX_Y - 1, and columns are numbered from 0 to DISP_MAX_X - 1 (see PC.C).

s is a pointer to the array of characters to display. The array MUST be NUL terminated. Note that you can display any characters from 0x01 to 0xFF.

color specifies the contents of the attribute byte and thus the color combination of the characters to be displayed. You can add one DISP_FGND_??? (see PC.H) and one DISP_BGND_??? (see PC.H) to obtain the desired color combination.

Returned Value

NONE

Notes/Warnings

All the characters of the string or array will be displayed with the same color attributes.

Example #1

The code below displays the current value of a global variable called Temperature. The color used depends on whether the temperature is below 100 (white), below 200 (yellow) or if it exceeds 200 (blinking white on a red background).

```
FP32 Temperature;  
  
void Task (void *pdata)
```

```
{
    char s[20];

    .
    .
    PC_DispStr(0, 0, "Temperature:",
              DISP_FGND_YELLOW + DISP_BGND_BLUE);
    for (;;) {
        sprintf(s, "%6.1f", Temperature);
        if (Temperature < 100.0) {
            color = DISP_FGND_WHITE;
        } else if (Temperature < 200.0) {
            color = DISP_FGND_YELLOW;
        } else {
            color = DISP_FGND_WHITE + DISP_BGND_RED + DISP_BLINK;
        }
        PC_DispStr(13, 0, s, color);
        .
        .
    }
}
```

Example #2

The code below displays a square box 10 characters wide by 7 characters high in the center of the screen.

```
INT8U B0x[7][11] = {
    {0xDA, 0xC4, 0xC4, 0xC4, 0xC4, 0xC4, 0xC4, 0xC4, 0xC4, 0xC4, 0xBF, 0x00},
    {0xB3, 0x20, 0x20, 0x20, 0x20, 0x20, 0x20, 0x20, 0x20, 0x20, 0xB3, 0x00},
    {0xB3, 0x20, 0x20, 0x20, 0x20, 0x20, 0x20, 0x20, 0x20, 0x20, 0xB3, 0x00},
    {0xB3, 0x20, 0x20, 0x20, 0x20, 0x20, 0x20, 0x20, 0x20, 0x20, 0xB3, 0x00},
    {0xB3, 0x20, 0x20, 0x20, 0x20, 0x20, 0x20, 0x20, 0x20, 0x20, 0xB3, 0x00},
    {0xB3, 0x20, 0x20, 0x20, 0x20, 0x20, 0x20, 0x20, 0x20, 0x20, 0xB3, 0x00},
    {0xC0, 0xC4, 0xC4, 0xC4, 0xC4, 0xC4, 0xC4, 0xC4, 0xC4, 0xC4, 0xD9, 0x00}
};

void Task (void *pdata)
{
    INT8U i;

    .
    .
    for (i = 0; i < 7; i++) {
        PC_DispStr(35, i + 9, B0x[i], DISP_FGND_WHITE);
    }
    for (;;) {
        .
        .
    }
}
```


PC_DOSReturn()

```
void PC_DOSReturn(void)
```

PC_DOSReturn allows your application to return back to DOS. It is assumed that you have previously called PC_DOSSaveReturn in order to save the processor's important registers in order to properly return to DOS. See section 18.02 for a description on how to use this function.

Arguments

NONE

Returned Value

NONE

Notes/Warnings

You MUST have called PC_DOSSaveReturn prior to calling PC_DOSReturn.

Example

```
void Task (void *pdata)
{
    INT16U key;

    .
    .
    for (;;) {
        .
        .
        if (PC_GetKey(&key) == TRUE) {
            if (key == 0x1B) {
                PC_DOSReturn();          /* Return to DOS */
            }
        }
        .
        .
    }
}
```

PC_DOSSaveReturn()

```
void PC_DOSSaveReturn(void)
```

PC_DOSSaveReturn allows your application to save the processor's important registers in order to properly return to DOS before you actually start multitasking with µC/OS-II. You would normally call this function from main as shown in the example code provided below.

Arguments

NONE

Returned Value

NONE

Notes/Warnings

You MUST call this function prior to setting µC/OS-II's context switch vector (as shown below).

Example

```
void main (void)
{
    OSInit();           /* Initialize uC/OS-II      */
    .
    PC_DOSSaveReturn(); /* Save DOS's environment    */
    .
    PC_VectSet(uCOS, OSCtxSw); /* uC/OS-II's context switch vector */
    OSTaskCreate(...);
    .
    .
    OSStart();         /* Start multitasking        */
}
}
```

PC_ElapsedInit()

```
void PC_ElapsedInit(void)
```

PC_ElapsedInit is invoked to compute the overhead associated with the PC_ElapsedStart and PC_ElapsedStop calls. This allows PC_ElapsedStop to return the execution time (in microseconds) of the code you are trying to measure.

Arguments

NONE

Returned Value

NONE

Notes/Warnings

You MUST call this function prior to calling either PC_ElapsedStart() and PC_ElapsedStop().

Example

```
void main (void)
{
    OSInit();           /* Initialize uC/OS-II      */
    .
    .
    PC_ElapsedInit();  /* Compute overhead of elapse meas. */
    .
    .
    OSStart();        /* Start multitasking      */
}
}
```

PC_ElapsedStart()

```
void PC_ElapsedStart(void)
```

PC_ElapsedStart is used in conjunction with PC_ElapsedStop to measure the execution time of some of your application code.

Arguments

NONE

Returned Value

NONE

Notes/Warnings

You **MUST** call PC_ElapsedInit before you use either PC_ElapsedStart() and PC_ElapsedStop().

This function is non-reentrant and cannot be called by multiple tasks without proper protection mechanisms (i.e., semaphores, locking the scheduler, etc.).

The execution time of your code must be less than 54.93 milliseconds in order for the elapsed time measurement functions to work properly.

Example

```
void main (void)
{
    OSInit();           /* Initialize uC/OS-II      */
    .
    .
    PC_ElapsedInit();  /* Compute overhead of elapse meas. */
    .
    .
    OSStart();         /* Start multitasking      */
}

void Task (void *pdata)
{
    INT16U time_us;

    .
    .
    for (;;) {
        .
        .
        PC_ElapsedStart();
        /* Code you want to measure the execution time */
        time_us = PC_ElapsedStop();
        .
        .
    }
}
```

PC_ElapsedStop()

```
INT16U PC_ElapsedStop(void)
```

PC_ElapsedStop is used in conjunction with PC_ElapsedStart to measure the execution time of some of your application code.

Arguments

NONE

Returned Value

The execution time of your code that was wrapped between PC_ElapsedStart() and PC_ElapsedStop(). The execution time is returned in microseconds.

Notes/Warnings

You **MUST** call PC_ElapsedInit() before you use either PC_ElapsedStart() and PC_ElapsedStop().

This function is non-reentrant and cannot be called by multiple tasks without proper protection mechanisms (i.e., semaphores, locking the scheduler, etc.).

The execution time of your code must be less than 54.93 milliseconds in order for the elapsed time measurement functions to work properly.

Example

See PC_ElapsedStart().

PC_GetDateTime()

```
void PC_GetDateTime(char *s)
```

PC_GetDateTime is used to obtain the current date and time from the PC's real-time clock chip and return this information in an ASCII string that can hold at least 21 characters.

Arguments

s is a pointer to the storage area where the ASCII string will be deposited. The format of the ASCII string is:

```
"YYYY-MM-DD HH:MM:SS"
```

and requires 21 bytes of storage (note that there is 2 spaces between the date and the time.

Returned Value

NONE

Notes/Warnings

NONE

Example

```
void Task (void *pdata)
{
    char s[80];

    .
    .
    for (;;) {
        .
        .
        PC_GetDateTime(&s[0]);
        PC_DispStr(0, 24, s, DISP_FGND_WHITE);
        .
        .
    }
}
```

PC_GetKey()

```
BOOLEAN PC_GetDateTIme(INT16S *key)
```

PC_GetKey is used to see if a key was pressed at the PC's keyboard and if so, obtain the value of the key pressed. You would normally invoke this function every so often (i.e., poll the keyboard) to see if a key was pressed. Note that the PC actually obtains key presses through an ISR and buffers key presses. Up to 10 keys are buffered by the PC.

Arguments

key is a pointer to where the key value will be stored. If no key has been pressed, the value will contain 0x00.

Returned Value

TRUE is a key was pressed and FALSE otherwise.

Notes/Warnings

NONE

Example

```
void Task (void *pdata)
{
    INT16S    key;
    BOOLEAN   avail;

    .
    .
    for (;;) {
        .
        .
        avail = PC_GetKey(&key);
        if (avail == TRUE) {
            /* Process key pressed */
        }
        .
        .
    }
}
```


PC_SetTickRate()

```
void PC_SetTickRate(INT16U freq)
```

PC_SetTickRate is used to change the PC's tick rate from the standard 18.20648 Hz to something faster. A tick rate of 200 Hz is a multiple of 18.20648 Hz (the multiple is 11).

Arguments

freq is the desired frequency of the ticker.

Returned Value

NONE

Notes/Warnings

You can only make the ticker faster than 18.20648 Hz.

The higher the frequency, the more overhead you will impose on the CPU.

Example

```
void Task (void *pdata)
{
    .
    .
    OS_ENTER_CRITICAL();
    PC_VectSet(0x08, OSTickISR);
    PC_SetTickRate(400);      /* Reprogram PC's tick rate to 400 Hz */
    OS_EXIT_CRITICAL();
    .
    .
    for (;;) {
        .
        .
    }
}
```

PC_VectGet()

```
void *PC_VectGet(INT8U vect)
```

PC_VectGet is used to obtain the address of the interrupt handler specified by the interrupt vector number. An 80x86 processor supports up to 256 interrupt/exception handlers.

Arguments

vect is the interrupt vector number, a number between 0 and 255.

Returned Value

The address of the current interrupt/exception handler for the specified interrupt vector number.

Notes/Warnings

Vector number 0 corresponds to the RESET handler.

It is assumed that the 80x86 code is compiled using the 'large model' option and thus all pointers returned are 'far pointers'.

It is assumed that the 80x86 is running in 'real mode'.

Example

```
void Task (void *pdata)
{
    void (*p_tick_isr)(void);

    .
    .
    p_tick_isr = PC_VectGet(0x08); /* Get tick handler address */
    .
    .
    for (;;) {
        .
        .
    }
}
```

PC_VectSet()

```
void PC_VectSet(INT8U vect, void *(pISR)(void))
```

PC_VectSet is used to set the contents of an interrupt vector table location. An 80x86 processor supports up to 256 interrupt/exception handlers.

Arguments

vect is the interrupt vector number, a number between 0 and 255.

pISR is the address of the interrupt/exception handler.

Returned Value

NONE

Notes/Warnings

You should be careful when setting interrupt vectors. Some interrupt vectors are used by the operating system (DOS and/or µC/OS-II).

It is assumed that the 80x86 code is compiled using the 'large model' option and thus all pointers returned are 'far pointers'.

If your interrupt handler works in conjunction with µC/OS-II, it must follow the rules imposed by µC/OS-II (see page 91 of "MicroC/OS-II, The Real-Time Kernel", ISBN 0-87930-543-6).

Example

```
void InterruptHandler (void)
{
}

void Task (void *pdata)
{
    .
    .
    PC_VectSet(64, InterruptHandler);
    .
    .
    for (;;) {
        .
        .
    }
}
```

C Coding Conventions

Conventions should be established early in a project. These conventions are necessary to maintain consistency throughout the project. Adopting conventions increases productivity and simplifies project maintenance.

There are many ways to code a program in C (or any other language). The style you use is just as good as any other as long as you strive to attain the following goals:

- Portability
- Consistency
- Neatness
- Easy maintenance
- Easy understanding
- Simplicity

Whichever style you use, I would emphasize that it should be adopted consistently throughout all your projects. I would further insist that a single style be adopted by all team members in a large project. To this end, I would recommend that a C programming style document be formalized for your organization. Adopting a common coding style reduces code maintenance headaches and costs. Adopting a common style will avoid code rewrites. This section describes the C programming style I use. The main emphasis on the programming style presented here is to make the source code easy to follow and maintain.

I don't like to limit the width of my C source code to 80 characters just because today's monitors only allow you to display 80 characters wide. My limitation is actually how many characters can be printed on an 8.5" by 11" page using an 8 point, fixed width font. With an 8 point font, you can accommodate up to 132 characters and have enough room on the left of the page for holes for insertion in a three ring binder. Allowing 132 characters per line prevents having to interleave source code with comments.

Header

The header of a C source file looks as shown below. Your company name and address can be on the first few lines followed by a title describing the contents of the file. A copyright notice is included to give warning of the proprietary nature of the software.

```
/*
*****
*
*                               Company Name
*                               Address
*
*                               (c) Copyright 19xx, Company Name, City, State
*                               All Rights Reserved
*
*
* Filename      :
* Programmer(s):
* Description   :
*****
*/
/*$PAGE*/
```

The name of the file is supplied followed by the name of the programmer(s). The name of the programmer who created the file is given first. The last item in the header is a description of the contents of the file.

I like to dictate when page breaks occur on my listings if my code doesn't fit on a printed page. In fact, I like to find a logical spot like after a comment block if both the comment block and the actual code doesn't fit on one page. For historical reasons, I insert the special comment `/*$PAGE*/` followed by a form feed character (`0x0C`). I like to use the `/*$PAGE*/` because it tells the reader where the page break will occur.

Include Files

The header files needed for your project immediately follow the revision history section. You may either list only the header files required for the module or combine header files in a single header file like I do in a file called `INCLUDES.H`. I like to use an `INCLUDES.H` header file because it prevents you from having to remember which header file goes with which source file especially when new modules are added. The only inconvenience is that it takes longer to compile each file.

```
/*
*****
*
*                               INCLUDE FILES
*
*****
*/
```

```
*****  
*/  
#include &quot;INCLUDES.H&quot;;  
/*$PAGE*/
```

Naming Identifiers

C compilers which conform to the ANSI C standard (most C compilers do by now) allow up to 32 characters for identifier names. Identifiers are variables, structure/union members, functions, macros, #defines and so on. Descriptive identifiers can be formulated using this 32 character feature and the use of acronyms, abbreviations and mnemonics (see Acronyms, Abbreviations and Mnemonics). Identifier names should reflect what the identifier is used for. I like to use a hierarchical method when creating an identifier. For instance, the function `OSSemPend ()` indicates that it is part of the operating system (OS), it is a semaphore (Sem) and the operation being performed is to wait (Pend) for the semaphore. This method allows me to group all functions related to semaphores together. You will notice that some of the functions in µC/OS-II starts with `OS_` instead of `OS`. This is done to show you that the `OS_` functions are internal to µC/OS-II even though they are global functions.

Variable names should be declared on separate lines rather than combining them on a single line. Separate lines make it easy to provide a descriptive comment for each variable.

I use the file name as a prefix for variables that are either local (`static`) or global to the file. This makes it clear that the variables are being used locally and globally. For example, local and global variables of a file named `KEY.C` are declared as follows:

```
static INT16U KeyCharCnt;          /* Number of keys pressed      */  
static char   KeyInBuf[100];      /* Storage buffer to hold chars */  
char   KeyInChar;                /* Character typed              */  
  
/*$PAGE*/
```

Upper case characters are used to separate words in an identifier. I prefer to use this technique versus making use of the underscore character, (`_`) because underscores do not add any meaning to names and also use up character spaces.

Global variables (external to the file) can use any name as long as they contain a mixture of upper case and lower case characters and are prefixed with the module/file name (i.e. all global keyboard related variable names would be prefixed with the word `Key`).

Formal arguments to a function and local variables within a function are declared in lower

case. The lower case makes it obvious that such variables are local to a function; global variables will contain a mixture of upper and lower case characters. To make variables readable, you can use the underscore character (i.e., `_`).

Within functions, certain variable names can be reserved to always have the same meaning. Some examples are given below but others can be used as long as consistency is maintained.

`i` , `j` and `k` for loop counters.

`p1` , `p2` ... `pn` for pointers.

`c` , `c1` ... `cn` for characters.

`s` , `s1` ... `sn` for strings.

`ix` , `iy` and `iz` for intermediate integer variables

`fx` , `fy` and `fz` for intermediate floating point variables

To summarize:

formal parameters in a function declaration should only contain lower case characters.

auto variable names should only contain lower case characters.

static variables and *functions* should use the file/module name (or a portion of it) as a prefix and should make use of upper/lower case characters.

extern variables and *functions* should use the file/module name (or a portion of it) as a prefix and should make use of upper/lower case characters.

Acronyms, Abbreviations & Mnemonics

When creating names for variables and functions (identifiers), it is often the practice to use acronyms (e.g. OS, ISR, TCB and so on), abbreviations (buf, doc etc.) and mnemonics (clr, cmp, etc.). The use of acronyms, abbreviations and mnemonics allows an identifier to be descriptive while requiring fewer characters. Unfortunately, if acronyms, abbreviations and mnemonics are not used consistently, they may add confusion. To ensure consistency, I have opted to create a list of acronyms, abbreviations and mnemonics that I use in all my projects. The same acronym, abbreviation or mnemonic is used throughout, once it is assigned. I call this list the *Acronym, Abbreviation and Mnemonic Dictionary* and the list for µC/OS-II is shown in Table A.1. As I need more acronyms, abbreviations or mnemonics, I simply add them to the list.

Acronym, Abbreviation, or Mnemonic	Meaning
Addr	Address
Blk	Block
Chk	Check
Clr	Clear
Cnt	Count
CPU	Central Processing Unit
Ctr	Counter
Ctx	Context
Cur	Current
Del	Delete
Dly	Delay
Err	Error
Ext	Extension
FP	Floating Point
Grp	Group
HMSM	Hours Minutes Seconds Milliseconds
ID	Identifier
Init	Initialize
Int	Interrupt
ISR	Interrupt Service Routine
Max	Maximum
Mbox	Mailbox
Mem	Memory
Msg	Message
N	Number of
Opt	Option
OS	Operating System
Ovf	Overflow
Prio	Priority
Ptr	Pointer
Q	Queue

Rdy	Ready
Req	Request
Sched	Scheduler
Sem	Semaphore
Stat	Status or statistic
Stk	Stack
Sw	Switch
Sys	System
Tbl	Table
TCB	Task Control Block
TO	Timeout

Table - Table A.1 Acronyms, abbreviations, and mnemonics used in this book.

There might be instances where one list for all products doesn't make sense. For instance, if you are an engineering firm working on a project for different clients and the products that you develop are totally unrelated, then a different list for each project would be more appropriate; the vocabulary for the farming industry is not the same as the vocabulary for the defense industry. I use the rule that if all products are similar, they use the same dictionary.

A common dictionary to a project team will also increase the team's productivity. It is important that consistency be maintained throughout a project, irrespective of the individual programmer(s). Once `buf` has been agreed to mean *buffer* it should be used by all project members instead of having some individuals use *buffer* and others use `bfr`. To further this concept, you should always use `buf` even if your identifier can accommodate the full name; stick to `buf` even if you can fully write the word *buffer*.

Comments

I find it very difficult to mentally separate code from comments when code and comments are interleaved. Because of this, I never interleave code with comments. Comments are written to the right of the actual C code. When large comments are necessary, they are written in the function description header.

Comments are lined up as shown in the following example. The comment terminators (`*/`) do not need to be lined up, but for neatness I prefer to do so. It is not necessary to have one comment per line since a comment could apply to a few lines.

Data Types

C allows you to create new data types using the `typedef` keyword. I declare all data types using upper case characters, and thus follow the same rule used for constants and macros. There is never a problem confusing constants, macros, and data types; because of the context in which they are used. Since different microprocessors have different word length, I like to declare the following data types (assuming Borland C++ V4.51):

```
/*
*****
*                               DATA TYPES
*****
*/

typedef unsigned char  BOOLEAN;      /* Boolean          */
typedef unsigned char  INT8U;        /* 8 bit unsigned   */
typedef char           INT8S;        /* 8 bit signed     */
typedef unsigned int   INT16U;       /* 16 bit unsigned  */
typedef int            INT16S;       /* 16 bit signed    */
typedef unsigned long  INT32U;       /* 32 bit unsigned  */
typedef long           INT32S;       /* 32 bit signed    */
typedef float          FP;           /* Floating Point   */

/*$PAGE*/
```

Using these *#defines*, you will always know the size of each data type.

Local Variables

Some source modules will require that local variables be available. These variables are only needed for the source file (file scope) and should thus be hidden from the other modules. Hiding these variables is accomplished in C by using the `static` keyword. Variables can either be listed in alphabetical order, or in functional order.

```
/*
*****
*                               LOCAL VARIABLES
*****
*/

static char    KeyBuf[100];
static INT16S  KeyNRd;

/*$PAGE*/
```

Function Prototypes

This section contains the prototypes (or calling conventions) used by the functions declared in the file. The order in which functions are prototyped should be the order in which the functions are declared in the file. This order allows you to quickly locate the position of a function when the file is printed.

```
/*
*****
*
*                               FUNCTION PROTOTYPES
*
*****
*/

        void    KeyClrBuf(void);
static  BOOLEAN KeyChkStat(void);
static  INT16S  KeyGetCnt(int ch);

/*$PAGE*/
```

Also note that the `static` keyword, the returned data type, and the function names are all aligned.

Function Declarations

As much as possible, there should only be one function per page when code listings are printed on a printer. A comment block should precede each function. All comment blocks should look as shown below. A description of the function should be given and should include as much information as necessary. If the combination of the comment block and the source code extends past a printed page, a page break should be forced (preferably between the end of the comment block and the start of the function). This allows the function to be on a page by itself and prevents having a page break in the middle of the function. If the function itself is longer than a printed page then it should be broken by a page break comment (`/*$PAGE*/`) in a logical location (i.e. at the end of an `if` statement instead of in the middle of one).

More than one small function can be declared on a single page. They should all, however, contain the comment block describing the function. The beginning of a function should start at least two lines after the end of the previous function.

```
/*
*****
*
*                               CLEAR KEYBOARD BUFFER
*
* Description : Flush keyboard buffer
*****
*/
```

```
* Arguments   : none
* Returns    : none
* Notes      : none
*****
*/

void KeyClrBuf (void)
{
}
/*$PAGE*/
```

Functions that are only used within the file should be declared `static` to hide them from other functions in different files.

By convention, I always call all invocations of the function without a space between the function name and the open parenthesis of the argument list. Because of this, I place a space between the name of the function and the opening parenthesis of the argument list in the function declaration as shown above. This is done so that I can quickly find the function definition using a `grep` utility.

Function names should make use of the file name as a prefix. This prefix makes it easy to locate function declarations in medium to large projects. It also makes it very easy to know where these functions are declared. For example, all functions in a file named `KEY.C` and functions in a file named `VIDEO.C` could be declared as follows:

```
KEY.C
  KeyGetChar()
  KeyGetLine()
  KeyGetFnctKey()

VIDEO.C
  VideoGetAttr()
  VideoPutChar()
  VideoPutStr()
  VideoSetAttr()
```

It's not necessary to use the whole file/module name as a prefix. For example, a file called `KEYBOARD.C` could have functions starting with `key` instead of `Keyboard`. It is also preferable to use upper case characters to separate words in a function name instead of using underscores. Again, underscores don't add any meaning to names and they use up character spaces. As mentioned previously, formal parameters and local variables should be in lower case. This makes it clear that such variables have a scope limited to the function.

Each local variable name **MUST** be declared on its own line. This allows the programmer to comment each one as needed. Local variables are indented four spaces. The statements for the

function are separated from the local variables by three spaces. Declarations of local variables should be physically separated from the statements because they are different.

Indentation

Indentation is important to show the flow of the function. The question is, how many spaces are needed for indentation? One space is obviously not enough while 8 spaces is way too much. The compromise I use is four spaces. I also never use TABs, because various printers will interpret TABs differently; and your code may not look as you want. Avoiding TABs does not mean that you can't use the TAB key on your keyboard. A good editor will give you the option to replace TABs with spaces (in this case, 4 spaces).

A space follows the keywords `if`, `for`, `while` and `do`. The keyword `else` has the privilege of having one before and one after it if curly braces are used. I write `if (condition)` on its own line and the statement(s) to execute on the next following line(s) as follows:

```
if (x < 0)
    z = 25;
if (y > 2) {
    z = 10;
    x = 100;
    p++;
}
```

instead of the following method.

```
if (x < 0) z = 25;
if (y > 2) {z = 10; x = 100; p++;}
```

There are two reasons for this method. The first is that I like to keep the decision portion apart from the execution statement(s). The second reason is consistency with the method I use for `while`, `for` and `do` statements.

`switch` statements are treated as any other conditional statement. Note that the case statements are lined up with the case label. The important point here is that `switch` statements must be easy to follow. cases should also be separated from one another.

```
if (x > 0) {
    y = 10;
    z = 5;
}
if (z < LIM) {
```



```
    x = y + z;
    z = 10;
} else {
    x = y - z;
    z = -25;
}
for (i = 0; i < MAX_ITER; i++) {
    *p2++ = *p1++;
    xx[i] = 0;
}
while (*p1) {
    *p2++ = *p1++;
    cnt++;
}
do {
    cnt--;
    *p2++ = *p1++;
} while (cnt > 0);
switch (key) {
    case KEY_BS :
        if (cnt > 0) {
            p--;
            cnt--;
        }
        break;

    case KEY_CR :
        *p = NUL;
        break;

    case KEY_LINE_FEED :
        p++;
        break;

    default:
        *p++ = key;
        cnt++;
        break;
}
```

Statements & Expressions

All statements and expressions should be made to fit on a single source line. I never use more than one assignment per line such as:

```
x = y = z = 1;
```

Even though this is correct in C, when the variable names get more complicated, the intent might not be as obvious.

The following operators are written with no space around them:

->	Structure pointer operator	p->m
.	Structure member operator	s.m

[]	Array subscripting	a[i]
-----	--------------------	------

Parentheses after function names have no space(s) before them. A space should be introduced after each comma to separate each actual argument in a function. Expressions within parentheses are written with no space after the opening parenthesis and no space before the closing parenthesis. Commas and semicolons should have one space after them.

```
strncat(t, s, n);  
for (i = 0; i < n; i++)
```

The unary operators are written with no space between them and their operands:

```
!p ~b ++i --j (long)m *p &x sizeof(k)
```

The binary operators is preceded and followed by one or more spaces, as is the ternary operator:

```
c1 = c2      x + y      i += 2      n > 0 ? n : -n;
```

The keywords `if`, `while`, `for`, `switch` and `return` are followed by one space.

For assignments, numbers are lined up in columns as if you were to add them. The equal signs are also lined up.

```
x        = 100.567;  
temp     = 12.700;  
var5     = 0.768;  
variable = 12;  
storage  = &array[0];
```

Structures and Unions

Structures are `typedef` since this allows a single name to represent the structure. The structure type is declared using all upper case characters with underscore characters used to separate words.

```
typedef struct line {                    /* Structure that defines a LINE                    */  
int LineStartX;                        /* 'X' & 'Y' starting coordinate                    */  
int LineStartY;
```

```
    int LineEndX;          /* 'X' & 'Y' ending coordinate */
    int LineEndY;
    int LineColor;        /* Color of line to draw */
} LINE;
typedef struct point {    /* Structure that defines a POINT */
    int PointPosX;       /* 'X' & 'Y' coordinate of point */
    int PointPosY;
    int PointColor;      /* Color of point */
} POINT;
```

Structure members start with the same prefix (as shown in the examples above). Member names should start with the name of the structure type (or a portion of it). This makes it clear when pointers are used to reference members of a structure such as:

```
p->LineColor;           /* We know that 'p' is a pointer to LINE */
```

Licensing Policy for µC/OS-II

µC/OS-II is not freeware nor is it open source.

Colleges and Universities

µC/OS-II source and object code can be freely distributed (to students) by accredited Colleges and Universities without requiring a license, as long as there is no commercial application involved. In other words, no licensing is required if µC/OS-II is used for educational use. Colleges and Universities should *register* their courses by sending a class syllabus and provide a web link so it can be added to the Micrium web site. Please send this information to: Universities@Micrium.com

Commercial Use

You must obtain an Object Code Distribution License to embed µC/OS-II in a commercial product. This is a license to put µC/OS-II in a product that is sold with the intent to make a profit. There will be a license fee for such situations, and you need to contact Micrium, Inc. (see below) for pricing.

You must obtain a Source Code Distribution License to distribute µC/OS-II source code. Again, there is a fee for such a license, and you need to contact Micrium, Inc. for pricing.

Licensing@Micrium.com

or

Micrium, Inc.

949 Crestview Circle
Weston, FL 33327-1848
U.S.A.

1-954-217-2036 (Phone)

1-954-217-2037 (Fax)

<http://www.Micrium.com>

µC/OS-II Quick Reference

This appendix provides a summary of the services provided by µC/OS-II assuming you enabled everything (I didn't want to clutter this reference with conditional compilation statements). Of course, some of the services might not be included in your application depending on the contents of OS_CFG.H.

Miscellaneous

Function Prototypes:

```
void      OSInit(void);
void      OSIntEnter(void);
void      OSIntExit(void);
void      OSSchedLock(void);
void      OSSchedUnlock(void);
void      OSStart(void);
void      OSStatInit(void);
INT16U    OSVersion(void);
```

Macros:

```
OS_ENTER_CRITICAL()
OS_EXIT_CRITICAL()
```

Global Variables:

```
INT8S     OSCPUUsage           // CPU usage in percent (%)
INT8U     OSIntNesting         // Interrupt nesting level (0..255)
INT8U     OSLockNesting       // OSSchedLock() nesting level.
BOOLEAN   OSRunning           // Flag indicating multitasking running
INT8U     OSTaskCtr           // Number of tasks created
OS_TCB    *OSTCBCur           // Pointer to current task's TCB
OS_TCB    *OSTCBHighRdy       // Pointer to highest priority task's TCB
INT8U     OSTaskCtr           // Number of tasks created
```

Task Management

Function Prototypes:

```
INT8U      OSTaskChangePrio(INT8U oldprio, INT8U newprio);

INT8U      OSTaskCreate(void (*task)(void *pd),
                       void *pdata,
                       OS_STK *ptos,
                       INT8U prio);

INT8U      OSTaskCreateExt(void (*task)(void *pd),
                          void *pdata,
                          OS_STK *ptos,
                          INT8U prio,
                          INT16U id,
                          OS_STK *pbos,
                          INT32U stk_size,
                          void *pext,
                          INT16U opt);

INT8U      OSTaskDel(INT8U prio);

INT8U      OSTaskDelReq(INT8U prio);

INT8U      OSTaskResume(INT8U prio);

INT8U      OSTaskSuspend(INT8U prio);

INT8U      OSTaskStkChk(INT8U prio, OS_STK_DATA *pdata);

INT8U      OSTaskQuery(INT8U prio, OS_TCB *pdata);
```

OSTaskCreateExt() 'opt' argument:

```
OS_TASK_OPT_STK_CHK      // Enable stack checking for the task
OS_TASK_OPT_STK_CLR      // Clear the stack when the task is create
OS_TASK_OPT_SAVE_FP      // Save Floating-Point registers
```

OSTaskDelReq() return values:

```
OS_NO_ERR                // The request has been registered
OS_TASK_NOT_EXIST        // The task has been deleted
OS_TASK_DEL_IDLE         // Can't delete the Idle task!
OS_PRIO_INVALID          // Invalid priority
```

OSTaskStkChk() data structure:

```
typedef struct {
    INT32U  OSFree;           // # of free bytes on the stack
    INT32U  OSUsed;          // # of bytes used on the stack
} OS_STK_DATA;
```

OSTaskQuery() data structure:

```
typedef struct os_tcb {

    OS_STK      *OSTCBStkPtr;           // Stack Pointer

    void        *OSTCBExtPtr;          // TCB extension pointer

    OS_STK      *OSTCBStkBottom;       // Ptr to bottom of stack
    INT32U      OSTCBStkSize;          // Size of task stack (#elements)

    INT16U      OSTCBOpt;              // Task options

    INT16U      OSTCBId;               // Task ID (0..65535)

    struct os_tcb *OSTCBNext;          // Pointer to next TCB
    struct os_tcb *OSTCBPrev;         // Pointer to previous TCB

    OS_EVENT    *OSTCBEvtPtr;         // Pointer to ECB

    void        *OSTCBMsg;             // Message received

    OS_FLAG_NODE *OSTCBFlagNode;       // Pointer to event flag node
    OS_FLAGS     OSTCBFlagsRdy;        // Event flags that made task ready

    INT16U      OSTCBDly;              // Nbr ticks to delay task or, timeout
    INT8U       OSTCBStat;             // Task status
    INT8U       OSTCBPrio;             // Task priority (0 == highest)

    INT8U       OSTCBX;
    INT8U       OSTCBY;
    INT8U       OSTCBBitX;
    INT8U       OSTCBBitY;

    BOOLEAN     OSTCBDelReq;          // Flag to tell task to delete itself

} OS_TCB;
```

Time Management

Function Prototypes:

```
void          OSTimeDly(INT16U ticks);

INT8U        OSTimeDlyHMSM(INT8U  hours,
                           INT8U  minutes,
                           INT8U  seconds,
                           INT16U milli);

INT8U        OSTimeDlyResume(INT8U prio);

INT32U       OSTimeGet(void);

void         OSTimeSet(INT32U ticks);

void         OSTimeTick(void);
```


Semaphore Management

Function Prototypes:

```
INT16U      OSSemAccept(OS_EVENT *pevent);

OS_EVENT   *OSSemCreate(INT16U cnt);

OS_EVENT   *OSSemDel(OS_EVENT *pevent, INT8U opt, INT8U *err);

void       OSSemPend(OS_EVENT *pevent, INT16U timeout, INT8U *err);

INT8U      OSSemPost(OS_EVENT *pevent);

INT8U      OSSemQuery(OS_EVENT *pevent, OS_SEM_DATA *pdata);
```

OSSemDel() 'opt' argument:

```
OS_DEL_NO_PEND           // Delete only if no task pending
OS_DEL_ALWAYS           // Always delete
```

OSSemQuery() data structure:

```
typedef struct {
    INT16U  OSCnt;           // Semaphore count

    INT8U   OSEventTbl[OS_EVENT_TBL_SIZE]; // Wait list
    INT8U   OSEventGrp;
} OS_SEM_DATA;
```

Mutual Exclusion Semaphore Management

Function Prototypes:

```
INT8U      OSMutexAccept(OS_EVENT *pevent, INT8U *err);
OS_EVENT  *OSMutexCreate(INT8U prio, INT8U *err);
OS_EVENT  *OSMutexDel(OS_EVENT *pevent, INT8U opt, INT8U *err);
void      OSMutexPend(OS_EVENT *pevent, INT16U timeout, INT8U *err);
INT8U     OSMutexPost(OS_EVENT *pevent);
INT8U     OSMutexQuery(OS_EVENT *pevent, OS_MUTEX_DATA *pdata);
```

OSMutexDel() 'opt' argument:

```
OS_DEL_NO_PEND           // Delete only if no task pending
OS_DEL_ALWAYS            // Always delete
```

OSMutexQuery() data structure:

```
typedef struct {
    INT8U  OSEventTbl[OS_EVENT_TBL_SIZE]; // Wait List
    INT8U  OSEventGrp;
    INT8U  OSValue;                        // Mutex value
                                              // (0=used, 1=available)
    INT8U  OSOwnerPrio;                    // Mutex owner's task priority
    INT8U  OSMutexPIP;                    // Priority Inheritance Priority or
                                              // 0xFF if no owner
} OS_MUTEX_DATA;
```

Event Flags Management

Function Prototypes:

```
OS_FLAGS      OSFlagAccept(OS_FLAG_GRP *pgrp,
                           OS_FLAGS    flags,
                           INT8U       wait_type,
                           INT8U       *err);

OS_FLAG_GRP   *OSFlagCreate(OS_FLAGS    flags,
                           INT8U        *err);

OS_FLAG_GRP   *OSFlagDel(OS_FLAG_GRP   *pgrp,
                           INT8U       opt,
                           INT8U       *err);

OS_FLAGS      OSFlagPend(OS_FLAG_GRP   *pgrp,
                           OS_FLAGS    flags,
                           INT8U       wait_type,
                           INT16U     timeout,
                           INT8U       *err);

OS_FLAGS      OSFlagPost(OS_FLAG_GRP   *pgrp,
                           OS_FLAGS    flags,
                           INT8U       operation,
                           INT8U       *err);

OS_FLAGS      OSFlagQuery(OS_FLAG_GRP   *pgrp,
                           INT8U        *err);
```

OSFlagDel() 'opt' argument:

```
OS_DEL_NO_PEND           // Delete only if no task pending
OS_DEL_ALWAYS           // Always delete
```

Message Mailbox Management

Function Prototypes:

```
void          *OSMboxAccept(OS_EVENT *pevent);

OS_EVENT     *OSMboxCreate(void *msg);

OS_EVENT     *OSMboxDel(OS_EVENT *pevent, INT8U opt, INT8U *err);

void         *OSMboxPend(OS_EVENT *pevent, INT16U timeout, INT8U *err);

INT8U       OSMboxPost(OS_EVENT *pevent, void *msg);

INT8U       OSMboxPostOpt(OS_EVENT *pevent, void *msg, INT8U opt);

INT8U       OSMboxQuery(OS_EVENT *pevent, OS_MBOX_DATA *pdata);
```

OSMboxDel() 'opt' argument:

```
OS_DEL_NO_PEND           // Delete only if no task pending
OS_DEL_ALWAYS           // Always delete
```

OSMboxPostOpt() 'opt' argument:

```
OS_POST_OPT_NONE        // POST to a single waiting task
                        //   (Identical to OSMboxPost())
OS_POST_OPT_BROADCAST   // POST to ALL waiting on mailbox
```

OSMboxQuery() data structure:

```
typedef struct {
    void *OSMsg;           // Pointer to message in mailbox

    INT8U  OSEventTbl[OS_EVENT_TBL_SIZE]; // Waiting List
    INT8U  OSEventGrp;
} OS_MBOX_DATA;
```

Message Queue Management

Function Prototypes:

```
void          *OSQAccept(OS_EVENT *pevent);
OS_EVENT      *OSQCreate(void **start, INT16U size);
OS_EVENT      *OSQDel(OS_EVENT *pevent, INT8U opt, INT8U *err);
INT8U         OSQFlush(OS_EVENT *pevent);
void          *OSQPend(OS_EVENT *pevent, INT16U timeout, INT8U *err);
INT8U         OSQPost(OS_EVENT *pevent, void *msg);
INT8U         OSQPostFront(OS_EVENT *pevent, void *msg);
INT8U         OSQPostOpt(OS_EVENT *pevent, void *msg, INT8U opt);
INT8U         OSQQuery(OS_EVENT *pevent, OS_Q_DATA *pdata);
```

OSQDel() 'opt' argument:

```
OS_DEL_NO_PEND           // Delete only if no task pending
OS_DEL_ALWAYS           // Always delete
OS_POST_OPT_FRONT       // Simulate OSQPostFront()
```

OSQPostOpt() 'opt' argument:

```
OS_POST_OPT_NONE        // POST to a single waiting task
                        //   (Identical to OSMboxPost())
OS_POST_OPT_BROADCAST   // POST to ALL waiting on mailbox
```

OSQQuery() data structure:

```
typedef struct {
    void          *OSMsg;           // Pointer to next message
    INT16U        OSNMsgs;         // # messages in queue

    INT16U        OSQSize;         // Size of message queue
    INT8U         OSEventTbl[OS_EVENT_TBL_SIZE]; // Waiting List
    INT8U         OSEventGrp;
} OS_Q_DATA;
```

Memory Management

Function Prototypes:

```
OS_MEM      *OSMemCreate(void *addr,
                        INT32U nblks,
                        INT32U blksize,
                        INT8U *err);
void         *OSMemGet(OS_MEM *pmem, INT8U *err);
INT8U        OSMemPut(OS_MEM *pmem, void *pblk);
INT8U        OSMemQuery(OS_MEM *pmem, OS_MEM_DATA *pdata);
```

OSMemQuery() data structure:

```
typedef struct {
    void *OSAddr;           // Ptr to start of memory partition
    void *OSFreeList;      // Ptr to start free list of memory blocks
    INT32U OSBlkSize;      // Size (in bytes) of each memory block
    INT32U OSNBlks;        // # blocks in the Partition
    INT32U OSNFree;        // # free blocks
    INT32U OSNUsed;        // # blocks used
} OS_MEM_DATA;
```

TO Utility

TO is a DOS utility that allows you to go to a directory without typing

```
CD path
```

or

```
CD ..\path
```

TO is probably the DOS utility I use most because it allows me to move between directories very quickly. At the DOS prompt, simply type TO followed by the name you associated with a directory, then press Enter:

```
TO name
```

where name is a name you associated with a path. The names and paths are placed in an ASCII file called TO.TBL, which resides in the root directory of the current drive. TO scans TO.TBL for the name you specified on the command line. If the name exists in TO.TBL, the directory is changed to the path specified with the name. If name is not found in TO.TBL, the message Invalid NAME. is displayed.

The DOS executable is in \SOFTWARE\TO\EXE\TO.EXE, an example of the names and paths is in \SOFTWARE\TO\EXE\TO.TBL, and the source code is in \SOFTWARE\TO\SOURCE\TO.C.

An example of TO.TBL and its format is shown in Listing D.1. Note that the name must be separated from the path by a comma.

```
A,      .. \SOURCE
C,      .. \SOURCE
D,      .. \DOC
L,      .. \LST
O,      .. \OBJ
P,      .. \PROD
W,      .. \WORK
EX1L,   \SOFTWARE\uCOS-II\EX1_x86L\BC45      (1)
EX2L,   \SOFTWARE\uCOS-II\EX2_x86L\BC45
EX3L,   \SOFTWARE\uCOS-II\EX3_x86L\BC45
Ix86L,  \SOFTWARE\uCOS-II\Ix86L\BC45
TO,     \SOFTWARE\TO\SOURCE
uCOS-II, \SOFTWARE\uCOS-II\SOURCE
```

Listing - Listing D.1 Example of TO.TBL

You can add an entry to TO.TBL by typing the path associated with a name on the command line as follows:

```
TO name path
```

TO appends this new entry to the end of TO.TBL. This avoids having to use a text editor to add a new entry. If you type

```
TO EX1L
```

TO changes directory to \SOFTWARE\uCOS-II\EX1_x86L\BC45 [LD.1(1)].

TO.TBL can be as long as needed, but each name must be unique. Note that two names can be associated with the same directory. If you add entries in TO.TBL using a text editor, all entries must be entered in uppercase. When you invoke TO at the DOS prompt, the name you specify is converted to uppercase before the program searches through the table. TO searches TO.TBL linearly from the first entry to the last. For faster response, you may want to place your most frequently used directories at the beginning of the file although this may not be necessary with today's fast computers.

Bibliography

Allworth, Steve T. 1981. *Introduction To Real-Time Software Design*. New York: Springer-Verlag. ISBN 0-387-91175-8.

Bal Sathe, Dhananjay. 1988. Fast Algorithm Determines Priority. *EDN (India)*, September, p. 237.

Chappell, Geoff. 1994. *DOS Internals*. Reading, Massachusetts. Addison-Wesley. ISBN 0-201-60835-9.

Comer, Douglas. 1984. *Operating System Design, The XINU Approach*. Englewood Cliffs, New Jersey: Prentice-Hall. ISBN 0-13-637539-1.

Deitel, Harvey M. and Michael S. Kogan. 1992. *The Design Of OS/2*. Reading, Massachusetts: Addison-Wesley. ISBN 0-201-54889-5.

Ganssle, Jack G. 1992. *The Art of Programming Embedded Systems*. San Diego: Academic Press. ISBN 0-122-748808.

Gareau, Jean L. 1998. Embedded x86 Programming: Protected Mode. *Embedded Systems Programming*, April, p. 80–93.

Halang, Wolfgang A. and Alexander D. Stoyenko. 1991. *Constructing Predictable Real Time Systems*. Norwell, Massachusetts: Kluwer Academic Publishers Group. ISBN 0-7923-9202-7.

Hunter & Ready. 1986. *VRTX Technical Tips*. Palo Alto, California: Hunter & Ready.

Hunter & Ready. 1983. *Dijkstra Semaphores, Application Note*. Palo Alto, California: Hunter & Ready.

Hunter & Ready. 1986. *VRTX and Event Flags*. Palo Alto, California: Hunter & Ready.

Intel Corporation. 1986. *iAPX 86/88, 186/188 User's Manual: Programmer's Reference*. Santa Clara, California: Intel Corporation.

Kernighan, Brian W. and Dennis M. Ritchie. 1988. *The C Programming Language*, 2nd

edition. Englewood Cliffs, New Jersey: Prentice Hall. ISBN 0-13-110362-8.

Klein, Mark H., Thomas Ralya, Bill Pollak, Ray Harbour Obenza, and Michael Gonzalez. 1993. *A Practioner's Handbook for Real-Time Analysis: Guide to Rate Monotonic Analysis for Real-Time Systems*. Norwell, Massachusetts: Kluwer Academic Publishers Group. ISBN 0-7923-9361-9.

Laplante, Phillip A. 1992. *Real-Time Systems Design and Analysis, An Engineer's Handbook*. Piscataway, New Jersey: IEEE Computer Society Press. ISBN 0-780-334000.

Lehoczky, John, Lui Sha, and Ye Ding. 1989. The Rate Monotonic Scheduling Algorithm: Exact Characterization and Average Case Behavior. In: *Proceedings of the IEEE Real-Time Systems Symposium.*, Los Alamitos, California. Piscataway, New Jersey: IEEE Computer Society, p. 166–171.

Madnick, E. Stuart and John J. Donovan. 1974. *Operating Systems*. New York: McGraw-Hill. ISBN 0-07-039455-5.

Ripps, David L. 1989. *An Implementation Guide To Real-Time Programming*. Englewood Cliffs, New Jersey: Yourdon Press. ISBN 0-13-451873-X.

Savitzky, Stephen R. 1985. *Real-Time Microprocessor Systems*. New York: Van Nostrand Reinhold. ISBN 0-442-28048-3.

Tischer, Michael. 1995. *PC Intern, System Programming 5th Edition*. Grand Rapids, Michigan. Abacus, 1995. ISBN 1-55755-282-7.

Villani, Pat. 1996. *FreeDOS Kernel, An MS-DOS Emulator for Platform Independence & Embedded Systems Development*. Lawrence, Kansas. R&D Technical Books. ISBN 0-87930-436-7.

Wood, Mike and Tom Barrett . 1990. A Real-Time Primer. *Embedded Systems Programming*, February, p. 20–28.